



US00D565132S

(12) **United States Design Patent**
Lien et al.

(10) **Patent No.:** **US D565,132 S**

(45) **Date of Patent:** **** Mar. 25, 2008**

(54) **FITNESS EQUIPMENT ACCESSORY RACK**

(75) Inventors: **Louis Lien**, Houston, TX (US);
Brandon Plumlee, Houston, TX (US)

(73) Assignee: **USA Sports, Inc.**, Houston, TX (US)

(**) Term: **14 Years**

(21) Appl. No.: **29/275,336**

(22) Filed: **Dec. 21, 2006**

(51) **LOC (8) Cl.** **21-02**

(52) **U.S. Cl.** **D21/686; D6/552**

(58) **Field of Classification Search** D21/662,
D21/686, 691; D6/552, 569; 482/94, 104;
211/85.7

See application file for complete search history.

(56) **References Cited**

U.S. PATENT DOCUMENTS

4,552,270	A *	11/1985	Lentz et al.	211/17
D291,338	S *	8/1987	Ringel et al.	D21/691
5,407,403	A *	4/1995	Coleman	482/6
D364,063	S *	11/1995	Lo	D6/552
D424,141	S *	5/2000	Eckmann	D21/686

D454,930	S *	3/2002	Novak	D21/686
D468,946	S *	1/2003	Harms et al.	D6/552
6,896,644	B1 *	5/2005	Voigt	482/104
D550,793	S *	9/2007	Rogers et al.	D21/694
2005/0272574	A1 *	12/2005	Lessard	482/104

* cited by examiner

Primary Examiner—Philip S. Hyder

Assistant Examiner—R. L. (Ulm) Cody

(74) *Attorney, Agent, or Firm*—Nick A. Nichols, Jr.

(57) **CLAIM**

The ornamental design for a fitness equipment accessory rack, as shown and described.

DESCRIPTION

FIG. 1 is a perspective view of a fitness equipment accessory rack, as shown and described.

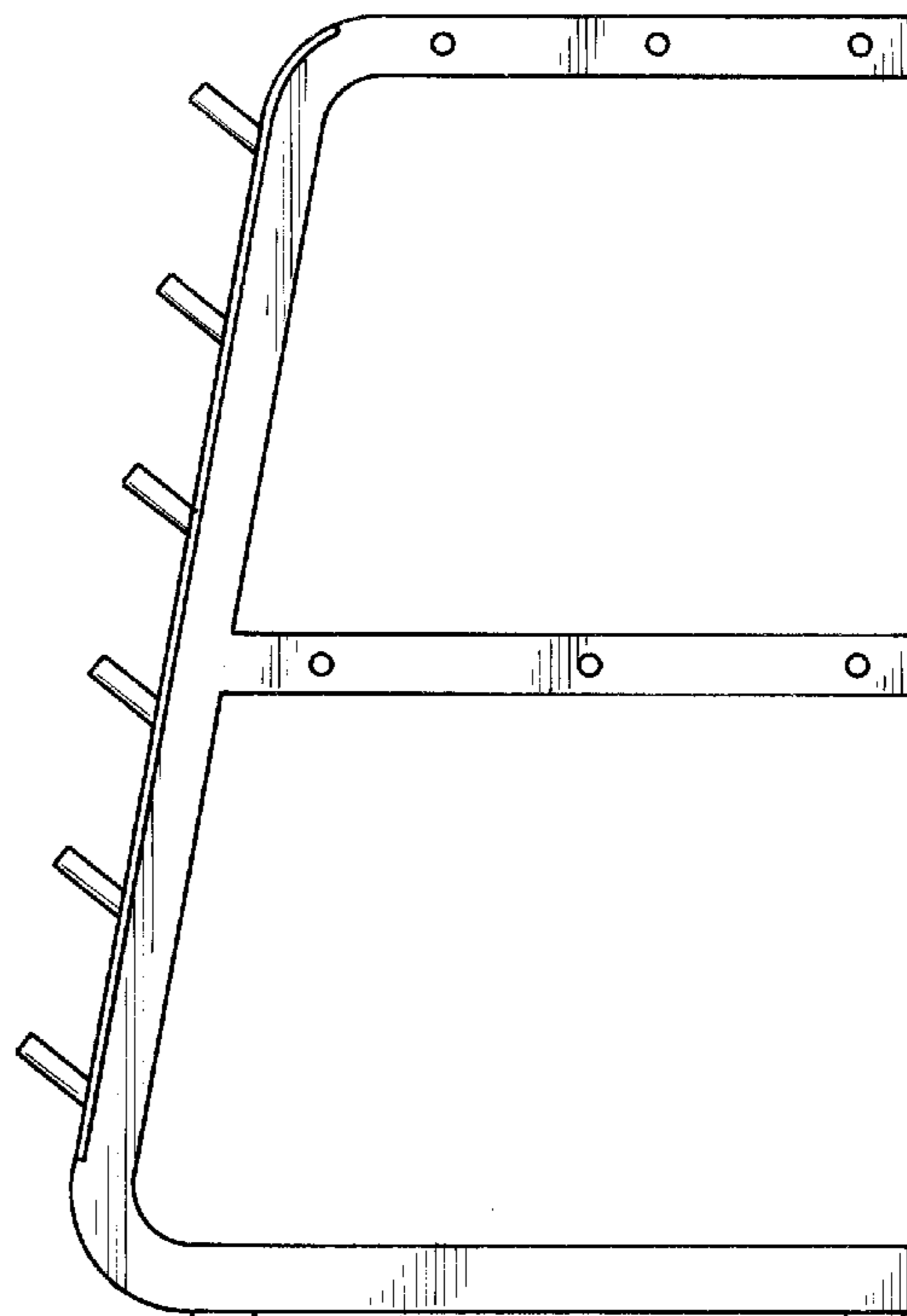
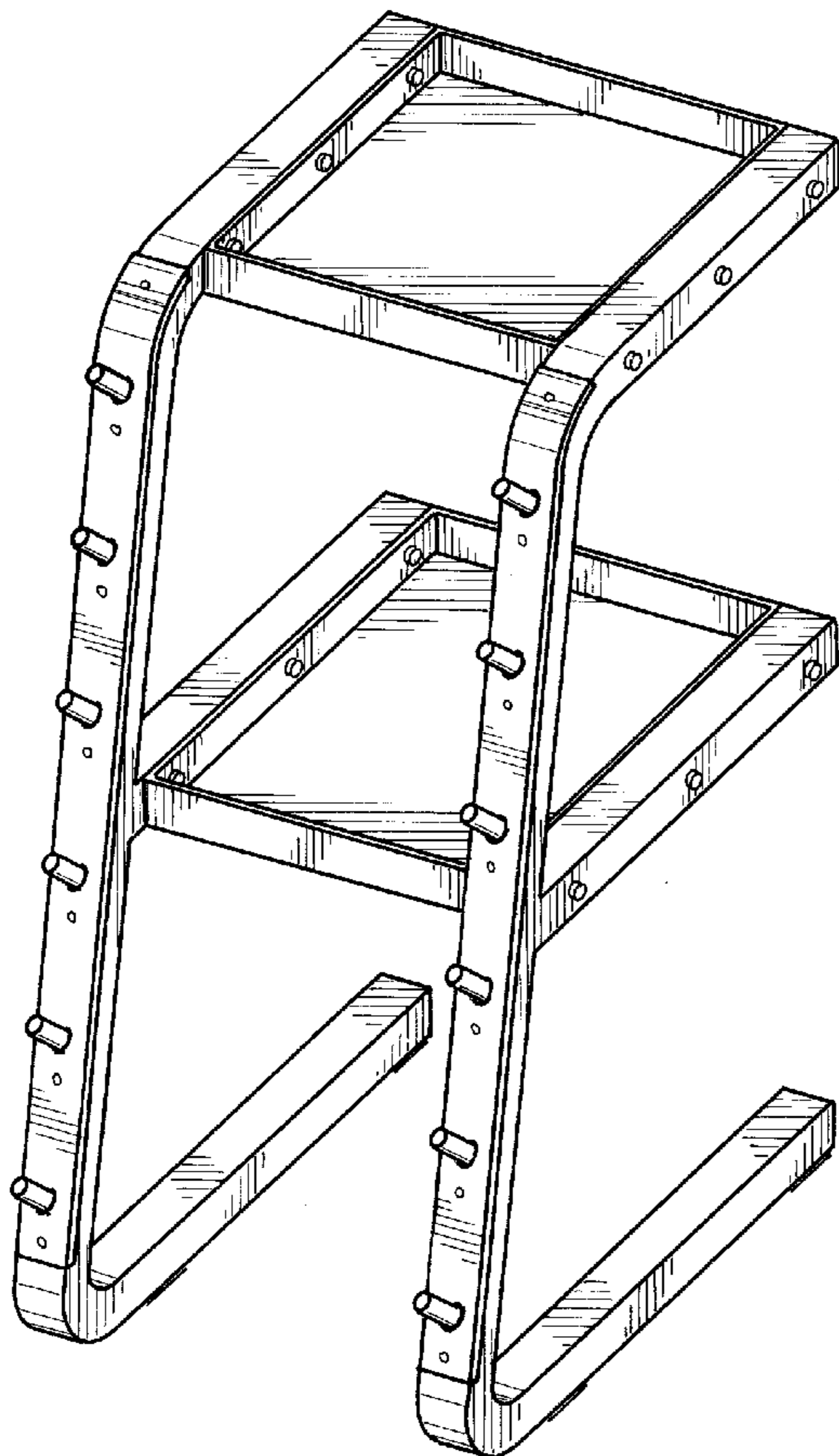
FIG. 2 is a top view thereof;

FIG. 3 is a side view thereof, the opposite side being a mirror image;

FIG. 4 is a front view thereof; and,

FIG. 5 is a back view thereof.

1 Claim, 2 Drawing Sheets



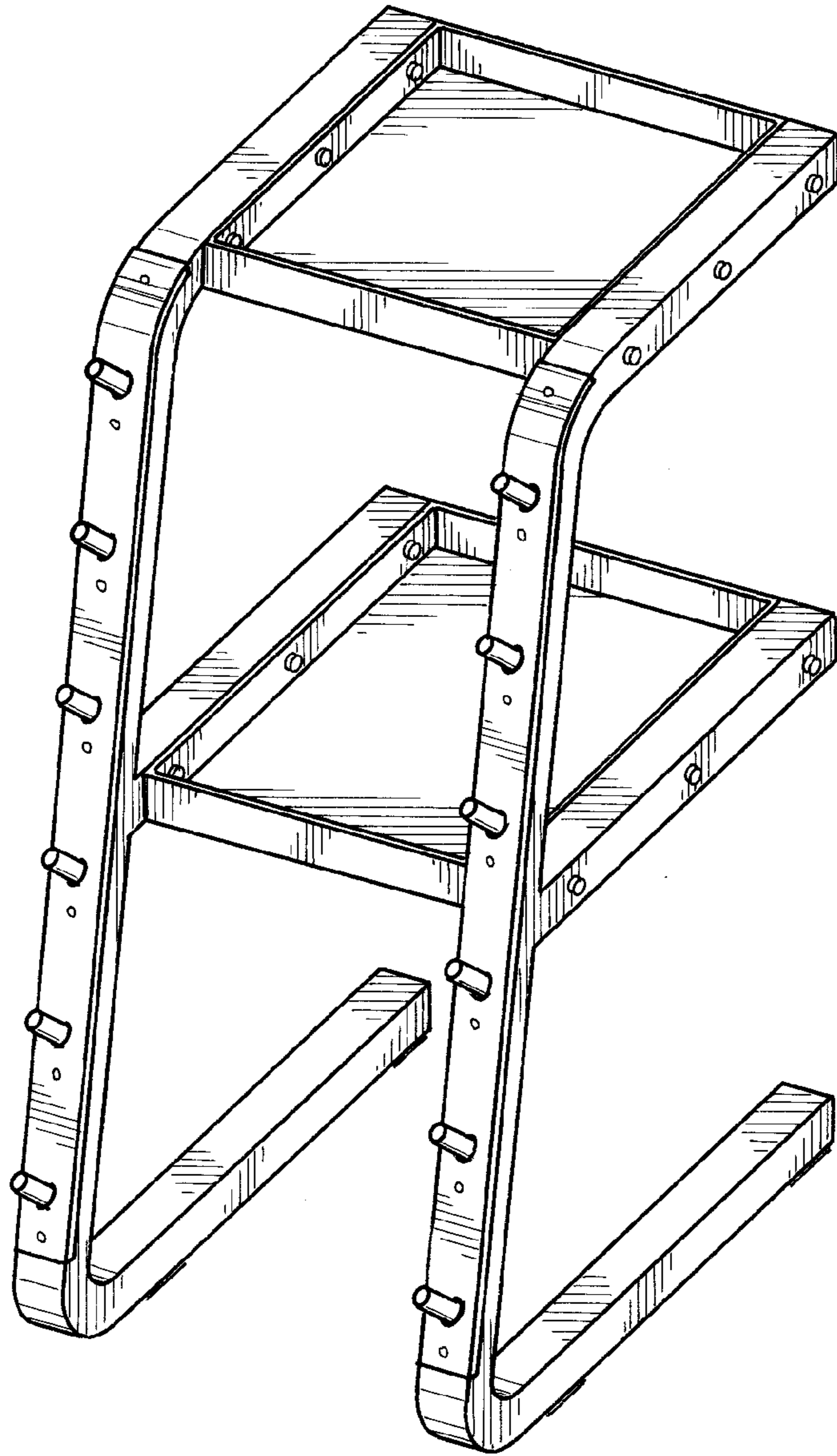


FIG. 1

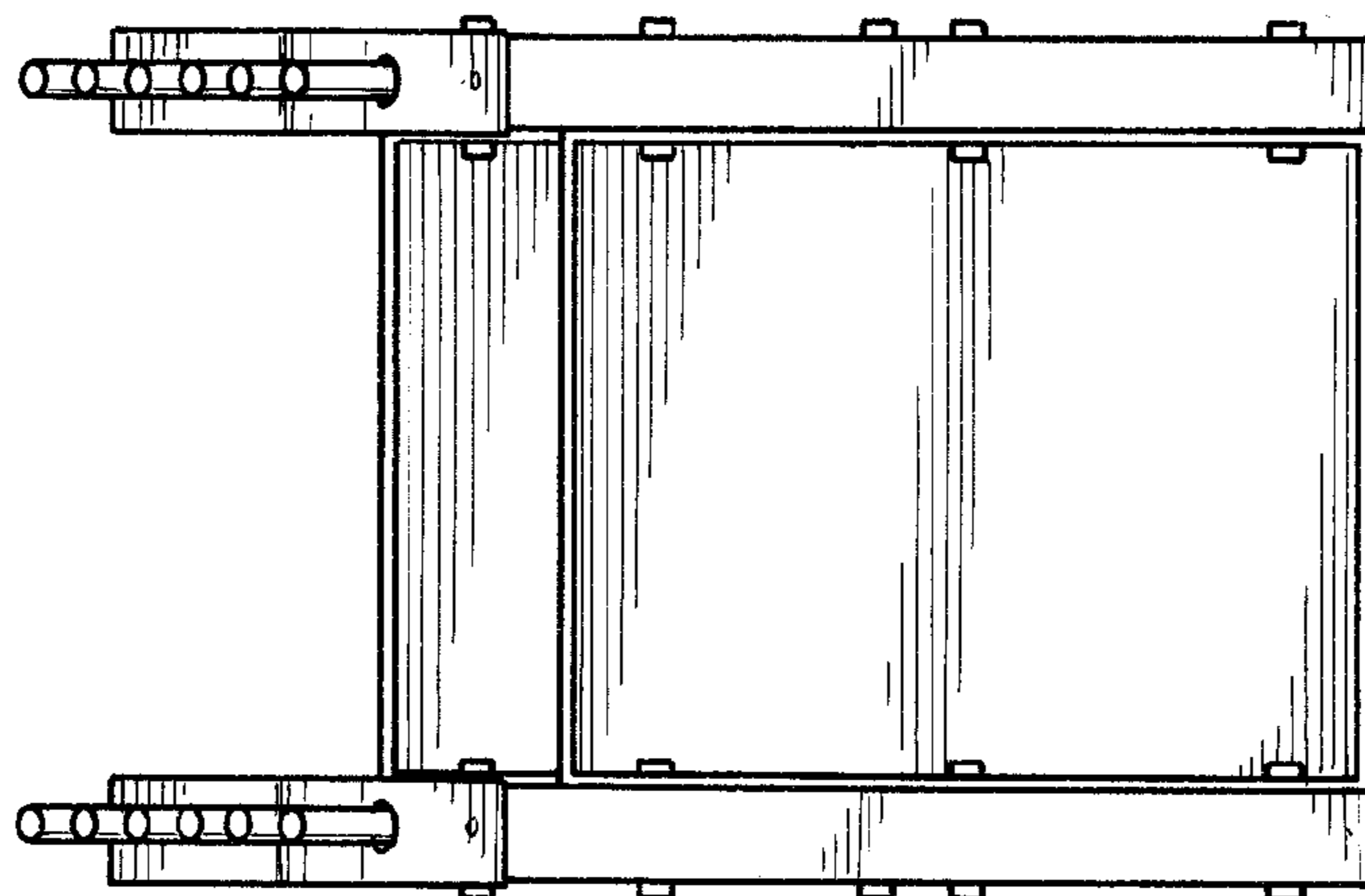


FIG. 2

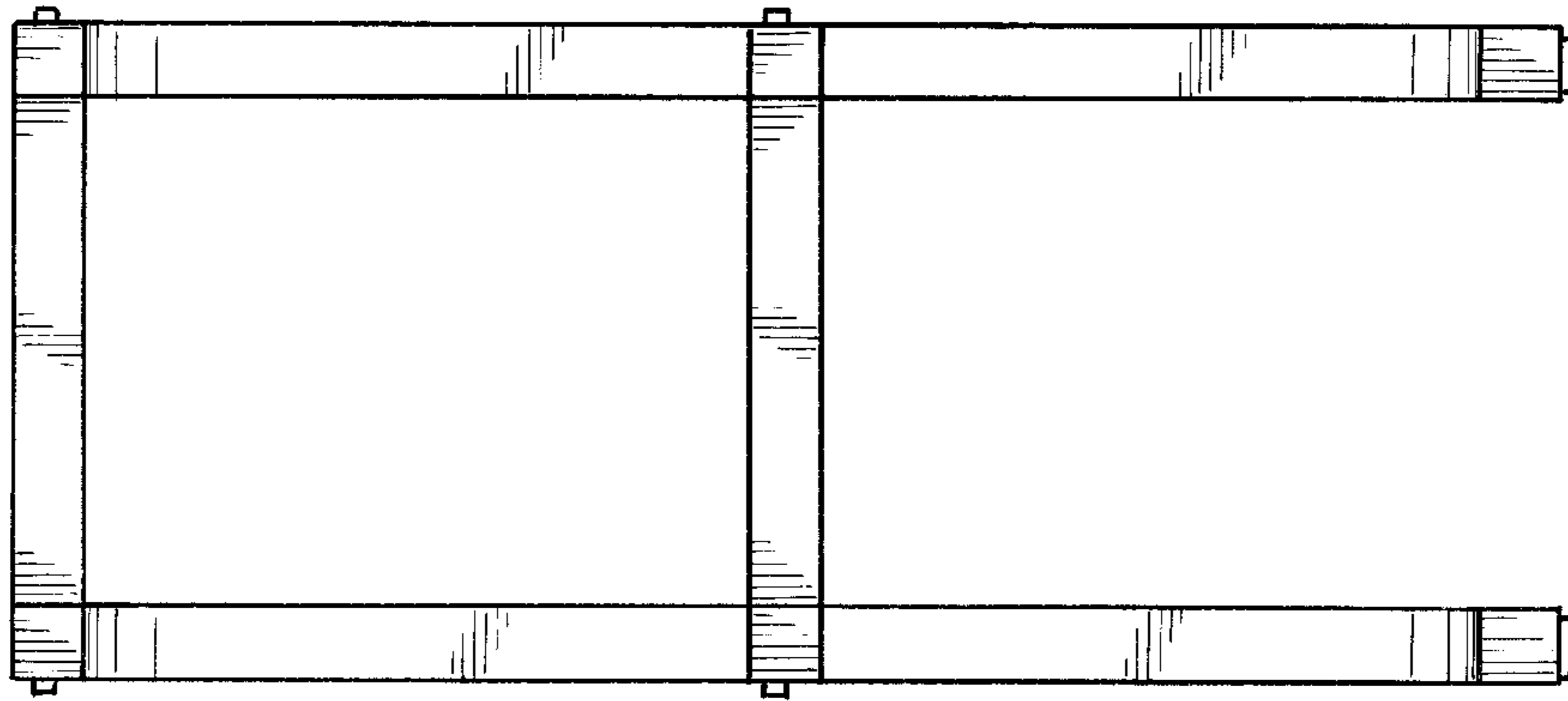


FIG. 5

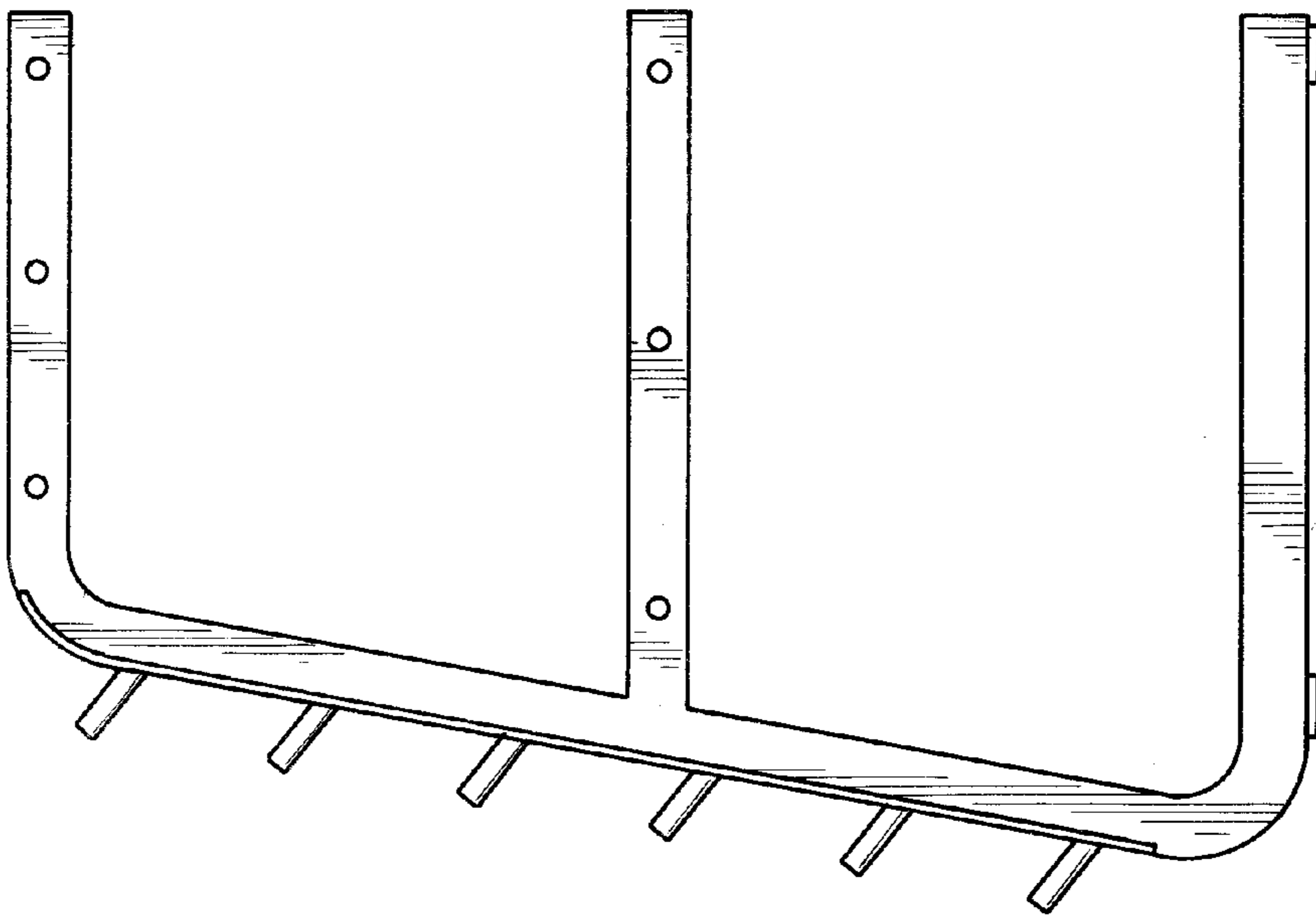


FIG. 3

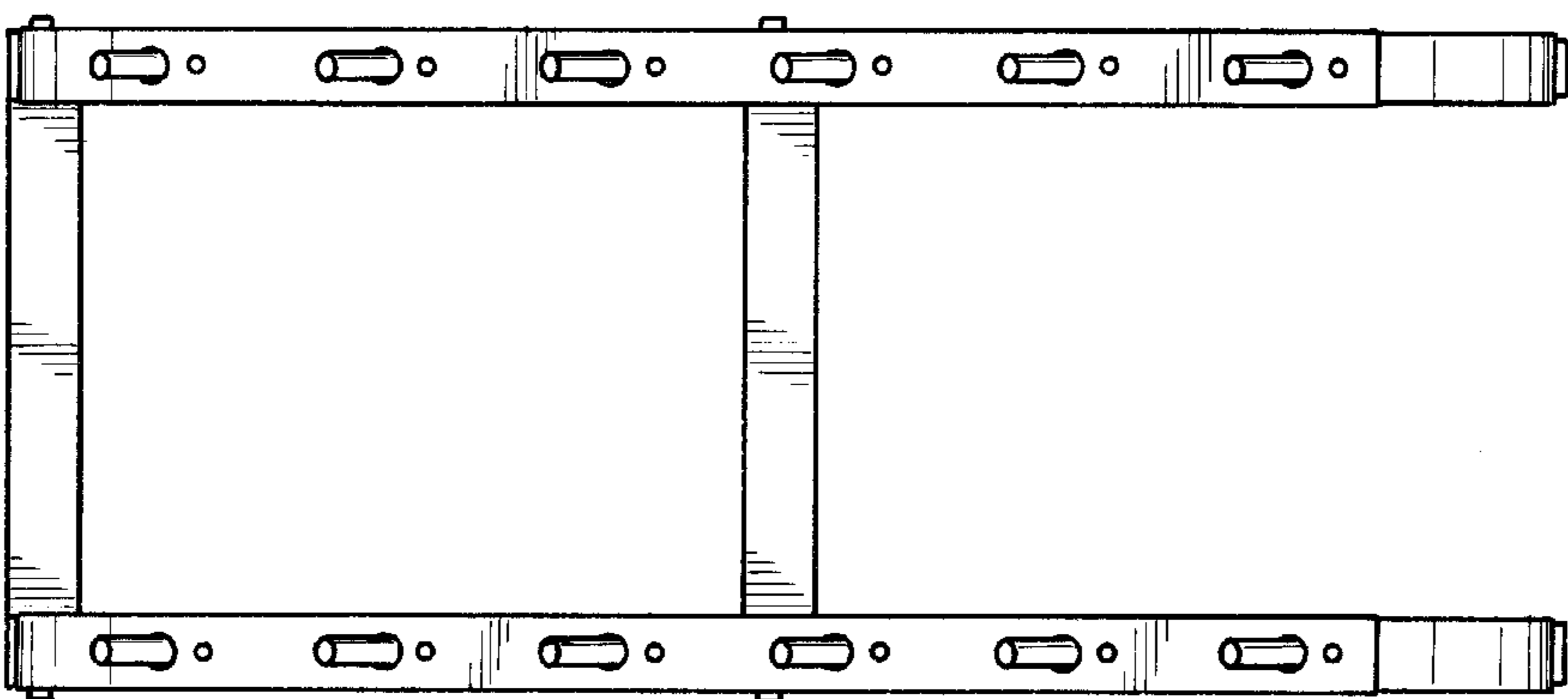


FIG. 4