



US00D565130S

(12) **United States Design Patent**  
**Olson**

(10) **Patent No.:** **US D565,130 S**

(45) **Date of Patent:** **\*\* Mar. 25, 2008**

(54) **CLIMBER EXERCISE APPARATUS**

(75) Inventor: **John C Olson**, Chicago, IL (US)

(73) Assignee: **Brunswick Corporation**, Lake Forest, IL (US)

(\*\*) Term: **14 Years**

(21) Appl. No.: **29/273,008**

(22) Filed: **Feb. 26, 2007**

(51) **LOC (8) Cl.** ..... **21-02**

(52) **U.S. Cl.** ..... **D21/670**

(58) **Field of Classification Search** ..... D21/662,  
D21/663, 665, 668, 669, 670; 482/51, 52,  
482/53, 54, 57, 70, 79

See application file for complete search history.

(56) **References Cited**

**U.S. PATENT DOCUMENTS**

5,823,914	A *	10/1998	Chen	.....	482/51
D408,477	S *	4/1999	Arnold et al.	.....	D21/668
D410,978	S *	6/1999	Littrell et al.	.....	D21/668
6,007,462	A *	12/1999	Chen	.....	482/57
6,149,551	A *	11/2000	Pyles et al.	.....	482/52
6,390,954	B1 *	5/2002	Lee	.....	482/52
D459,773	S *	7/2002	Hsiung	.....	D21/668
D464,688	S *	10/2002	May et al.	.....	D21/668
D464,689	S *	10/2002	May et al.	.....	D21/668

D465,000	S *	10/2002	Arnold et al.	.....	D21/668
D478,365	S *	8/2003	Giannelli et al.	.....	D21/668
D493,201	S *	7/2004	Giannelli et al.	.....	D21/668
D512,112	S *	11/2005	Nagano	.....	D21/668
D530,758	S *	10/2006	Kim	.....	D21/668
2005/0288155	A1 *	12/2005	Yang	.....	482/52
2006/0172865	A1 *	8/2006	Dey et al.	.....	482/52

\* cited by examiner

*Primary Examiner*—Philip S. Hyder

(74) *Attorney, Agent, or Firm*—Michael B. McMurray

(57) **CLAIM**

I claim the ornamental design for a climber exercise apparatus, as shown and described.

**DESCRIPTION**

FIG. 1 is a perspective view of a climber exercise apparatus showing my new design;

FIG. 2 is a top plan view of the apparatus of FIG. 1;

FIG. 3 is a side elevational view of the apparatus of FIG. 1;

FIG. 4 is a front elevational view of the apparatus of FIG. 1;

FIG. 5 is a rear elevational view of the apparatus of FIG. 1;

and,

FIG. 6 is an elevational view of the opposite side of the climber exercise apparatus of FIG. 1.

**1 Claim, 6 Drawing Sheets**

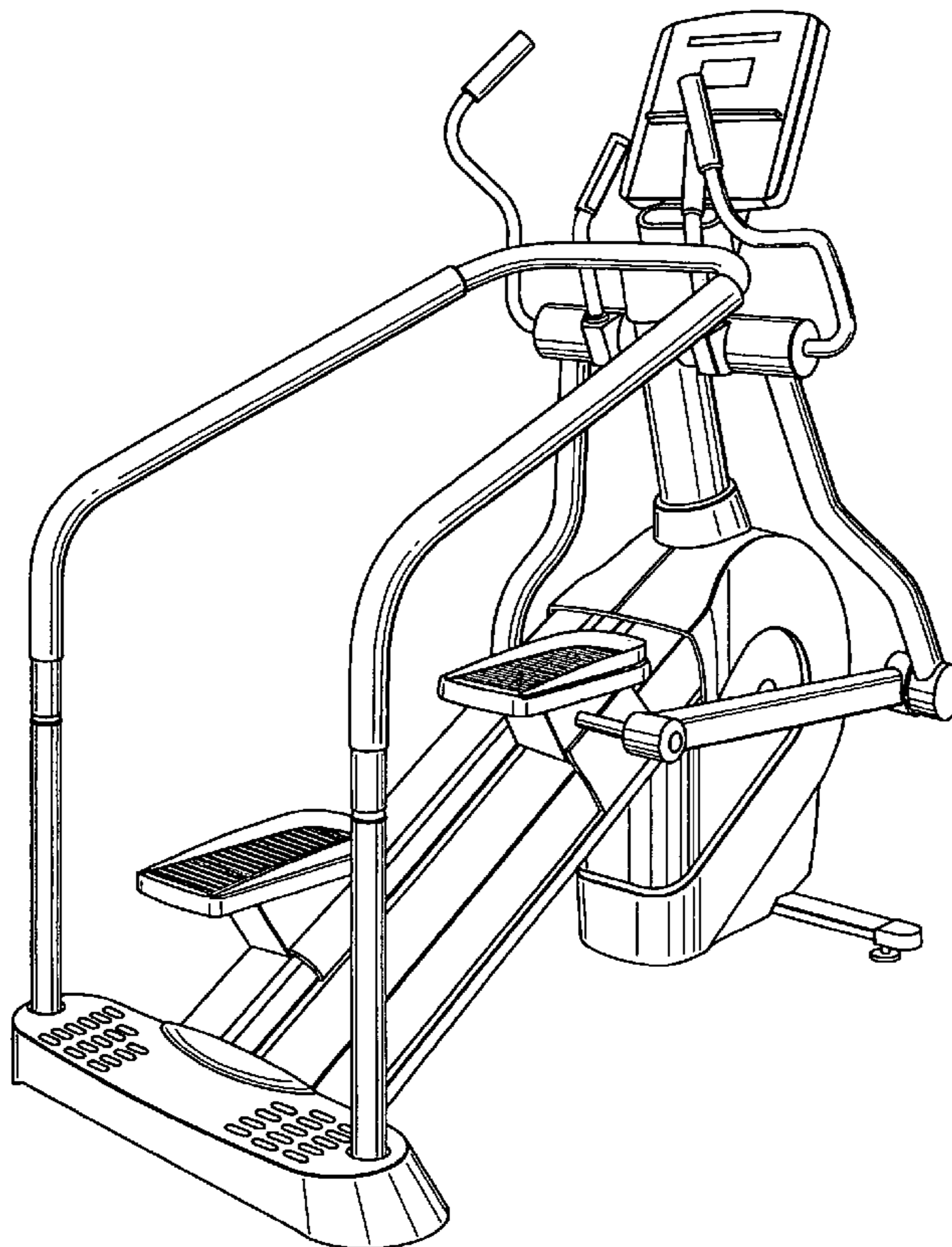


Fig. 1

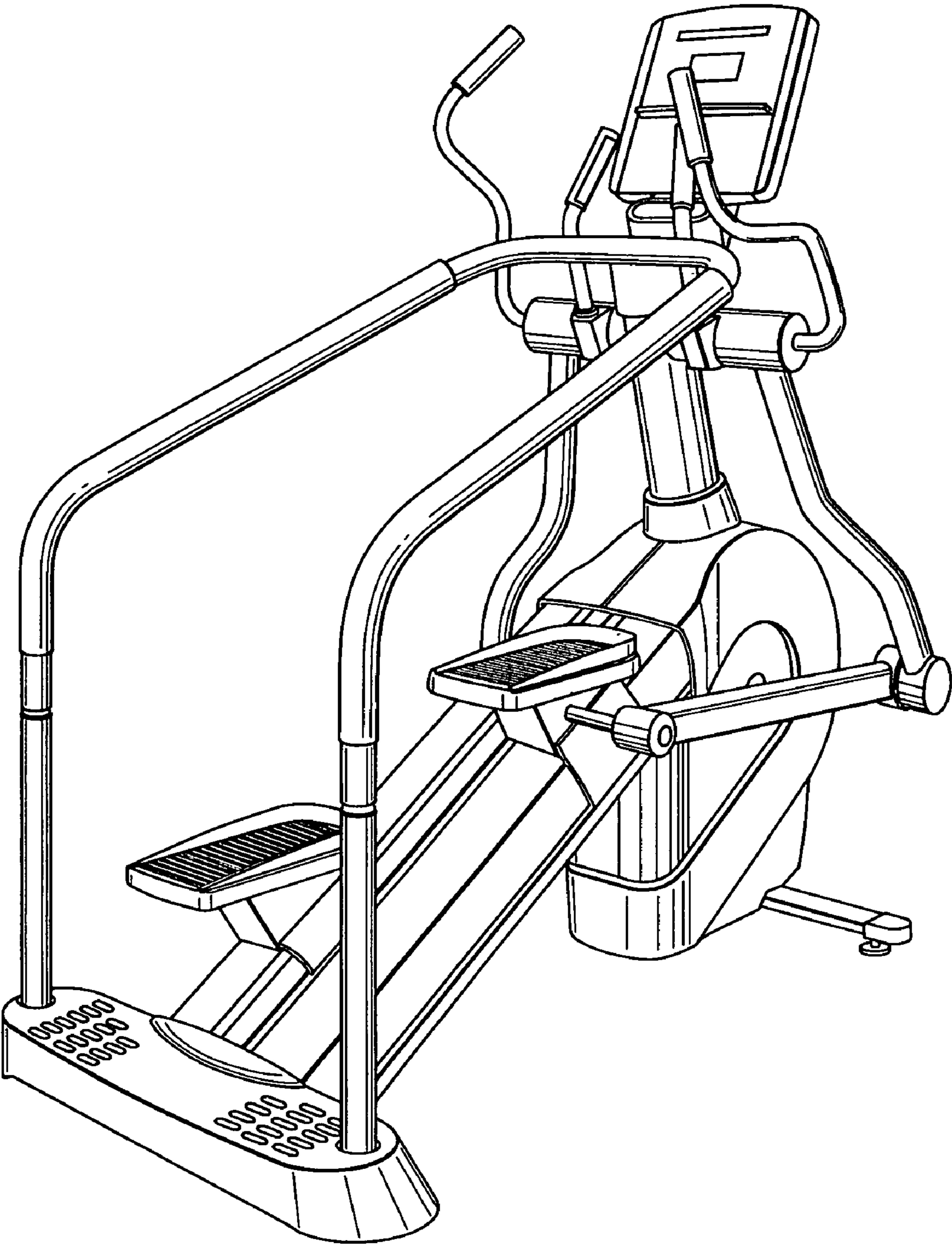


Fig. 2

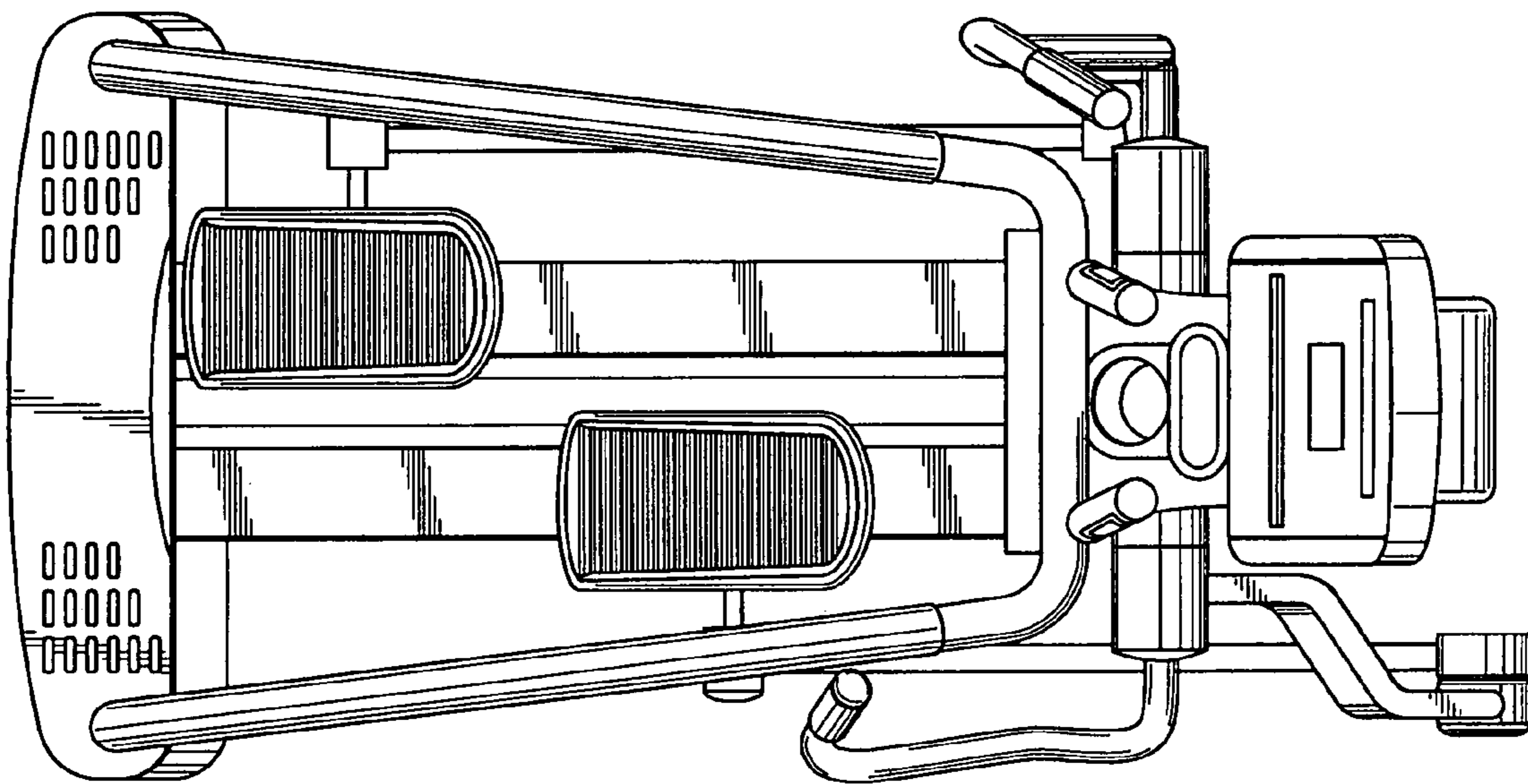
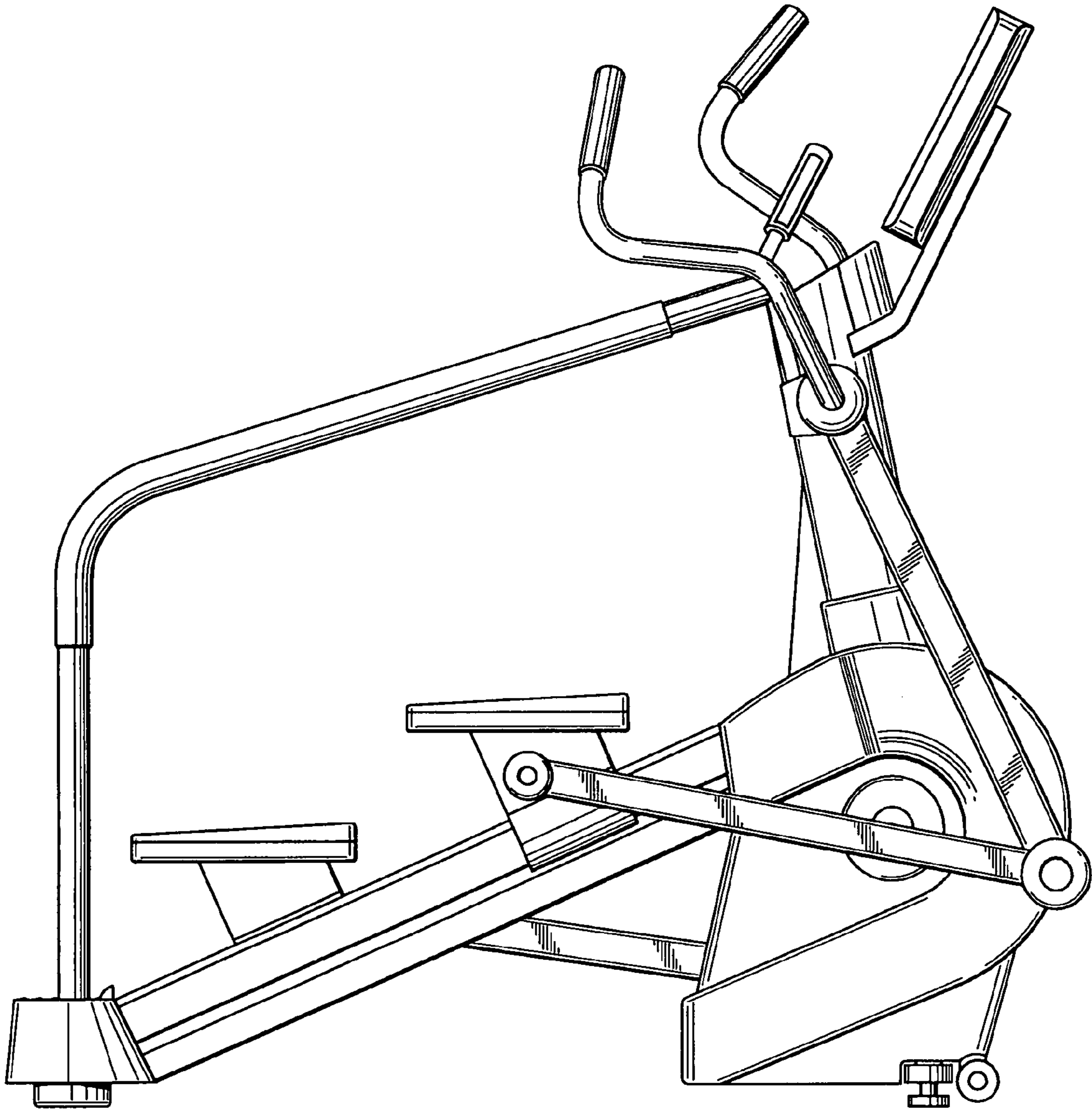
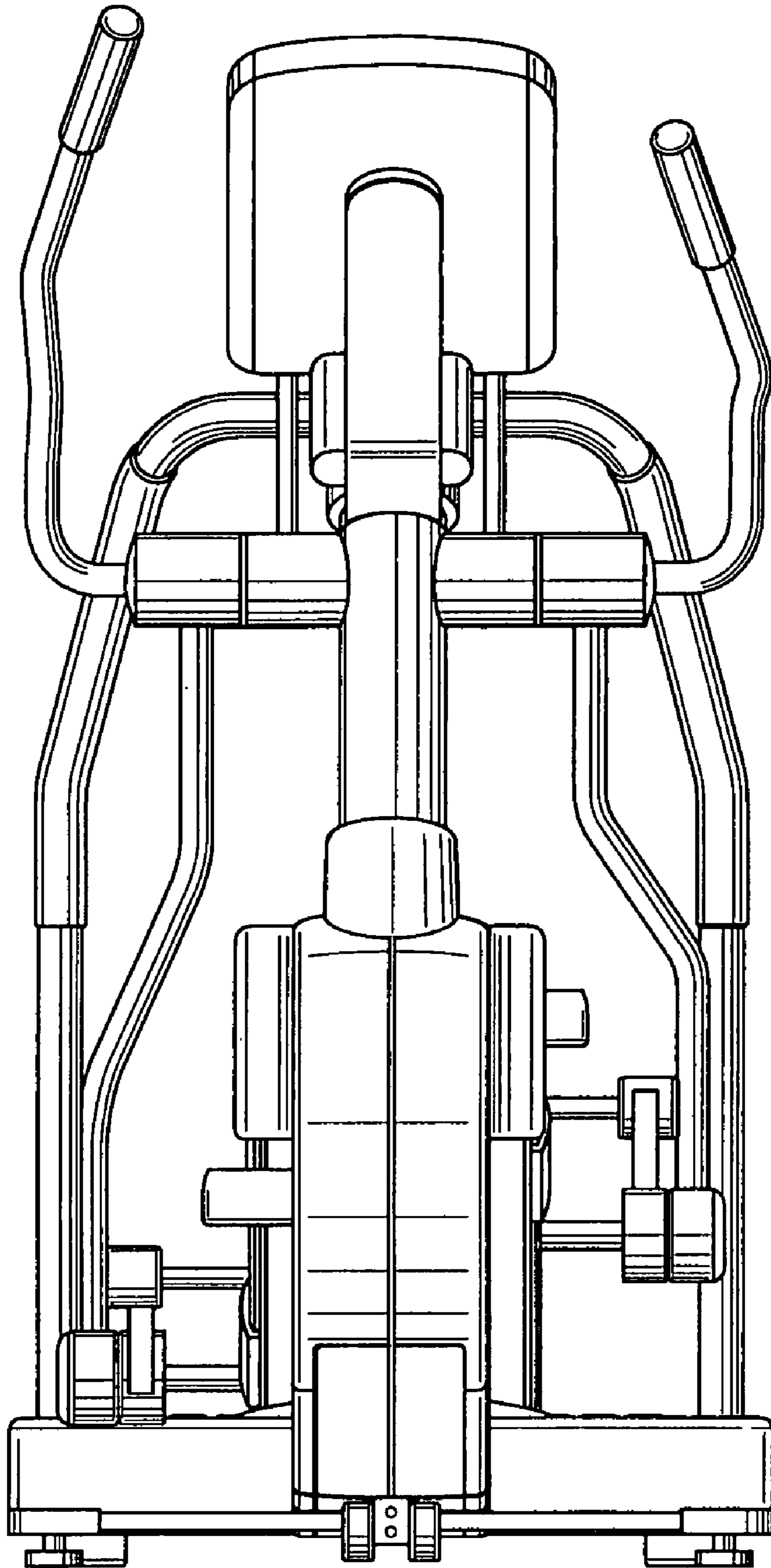


Fig. 3





**Fig. 4**



**Fig. 5**

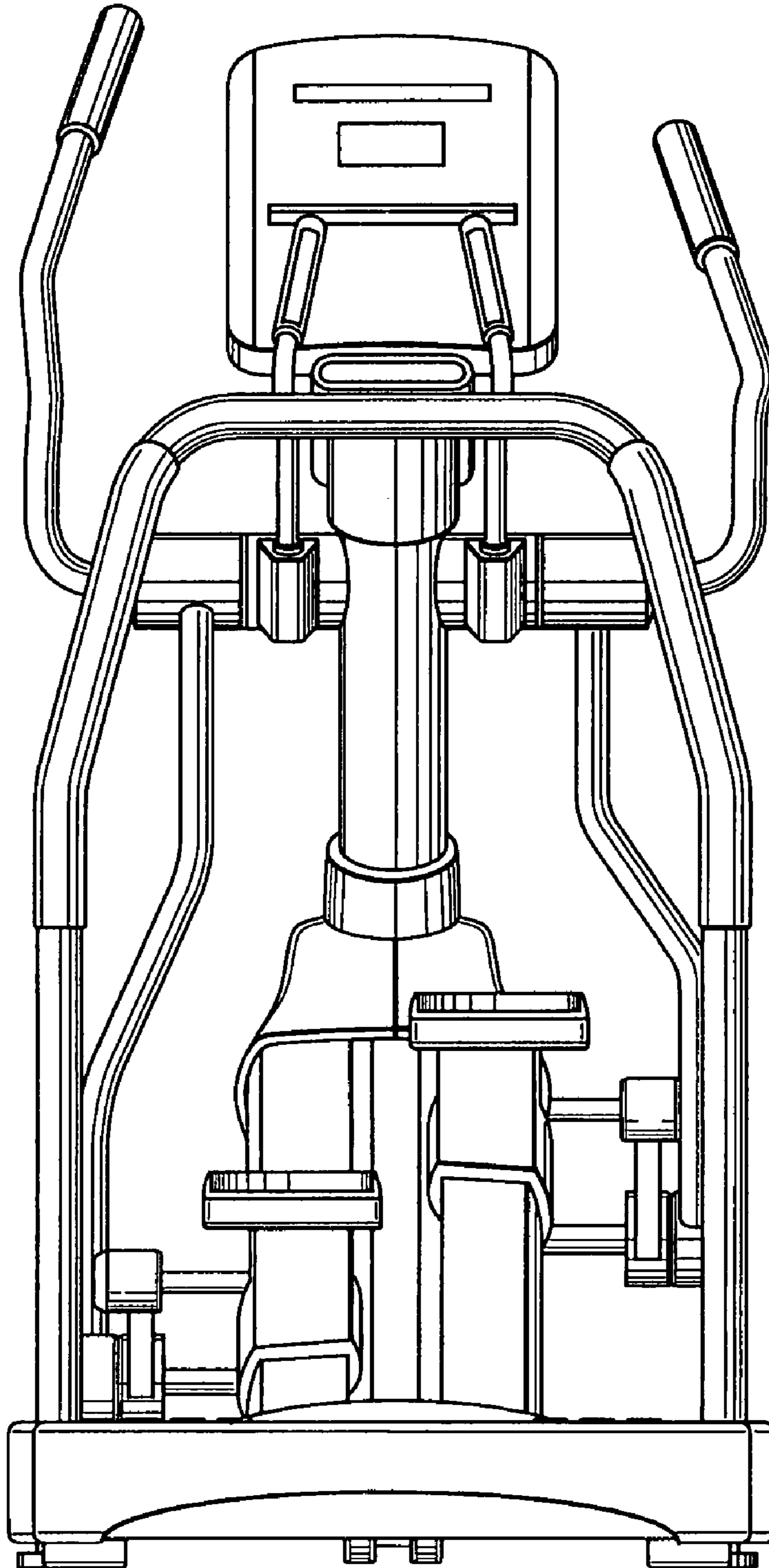


Fig. 6

