

US00D565124S

(12) **United States Design Patent**
Kronenberg

(10) **Patent No.:** **US D565,124 S**
(45) **Date of Patent:** **** Mar. 25, 2008**

(54) **CHESS GAME PIECE**

(75) Inventor: **David Kronenberg**, 345 W. Fullerton Pkwy., #1004, Chicago, IL (US) 60614

(73) Assignee: **David Kronenberg**, Chicago, IL (US)

(**) Term: **14 Years**

(21) Appl. No.: **29/276,371**

(22) Filed: **Jan. 24, 2007**

(51) **LOC (8) Cl.** **21-01**

(52) **U.S. Cl.** **D21/388**

(58) **Field of Classification Search** D21/334-368,
D21/385-391; 273/236-288, 148 R; D9/451;
D11/124-125, 131, 157

See application file for complete search history.

(56) **References Cited**

U.S. PATENT DOCUMENTS

- D136,454 S * 10/1943 Paige D21/389
- D327,919 S * 7/1992 LaPointe D21/388
- D355,680 S * 2/1995 Escobar et al. D21/388
- D534,456 S * 1/2007 Ilaria et al. D11/157

OTHER PUBLICATIONS

www.commonswikimedia.org/wiki/Image:Flag_of_Turkey.png.
Turkish Flag, undated.*

* cited by examiner

Primary Examiner—Sandra L. Morris

(74) *Attorney, Agent, or Firm*—Miller, Matthias & Hull

(57) **CLAIM**

The ornamental design for a chess game piece, as shown and described.

DESCRIPTION

FIG. 1 is a perspective view of the chess game piece, showing my invention;

FIG. 2 is a front view of the device of FIG. 1, the rear view being identical;

FIG. 3 is a right side view of the device of FIG. 1;

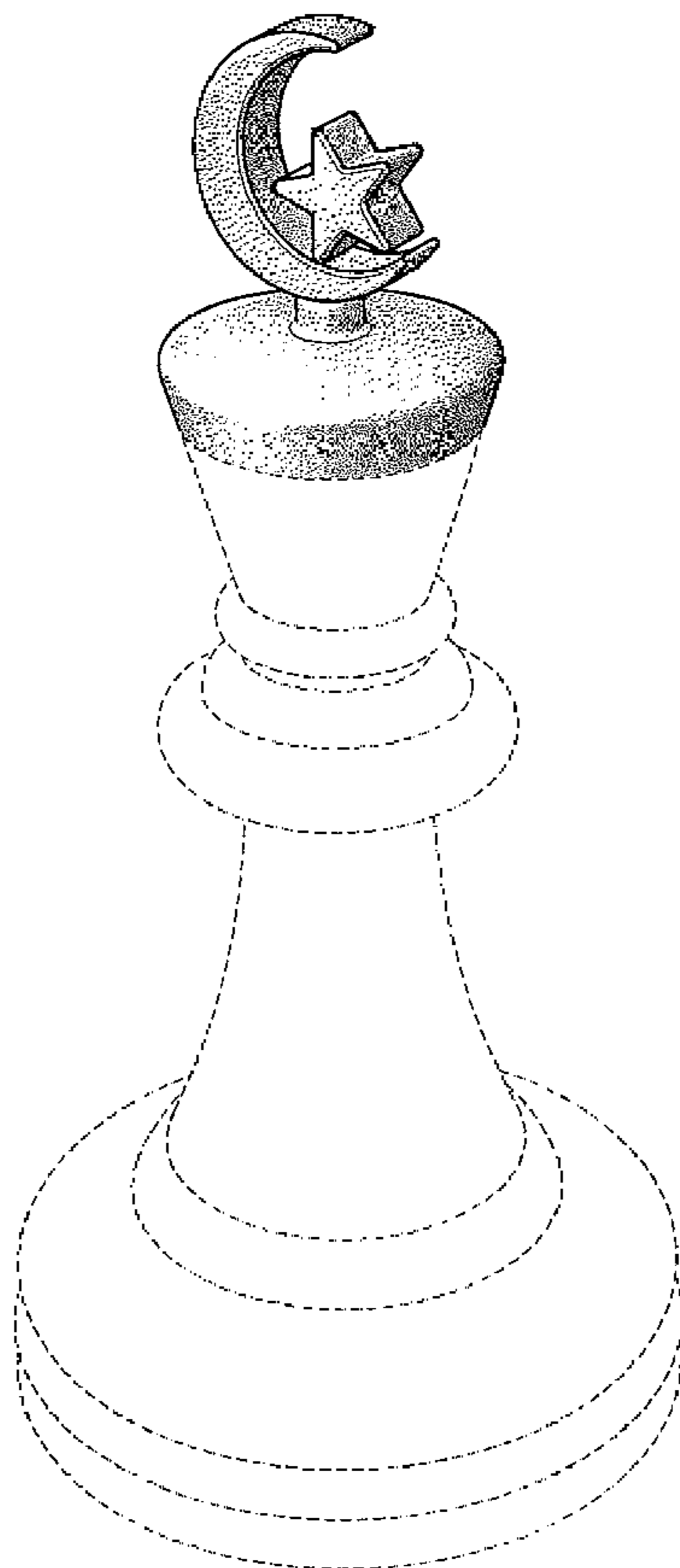
FIG. 4 is a left side view of the device of FIG. 1;

FIG. 5 is a top view of the device of FIG. 1; and,

FIG. 6 is a bottom view of the device of FIG. 1.

The broken line showing of the body of the chess piece is for illustrative purposes only, and forms no part of the claimed design.

1 Claim, 3 Drawing Sheets



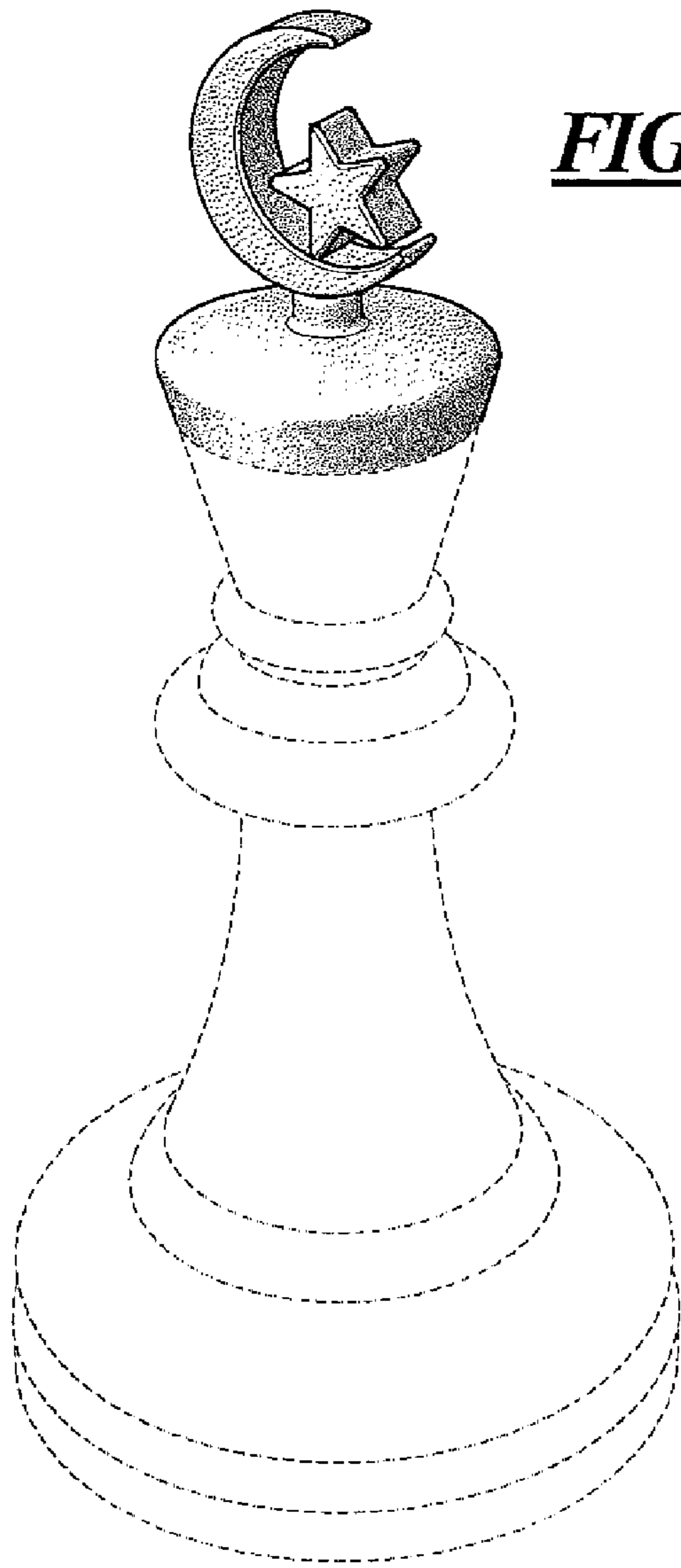


FIG. 1

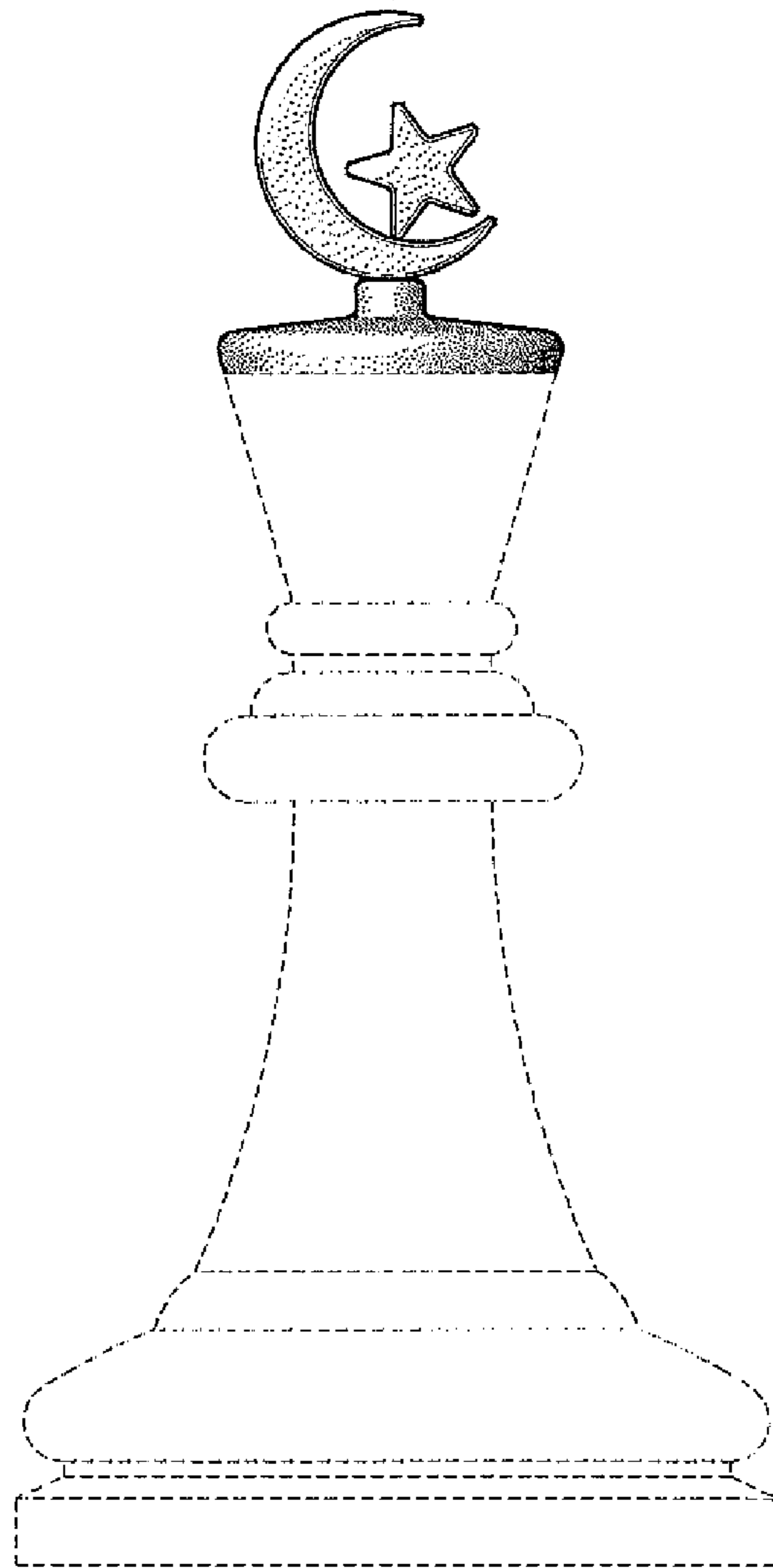


FIG. 2

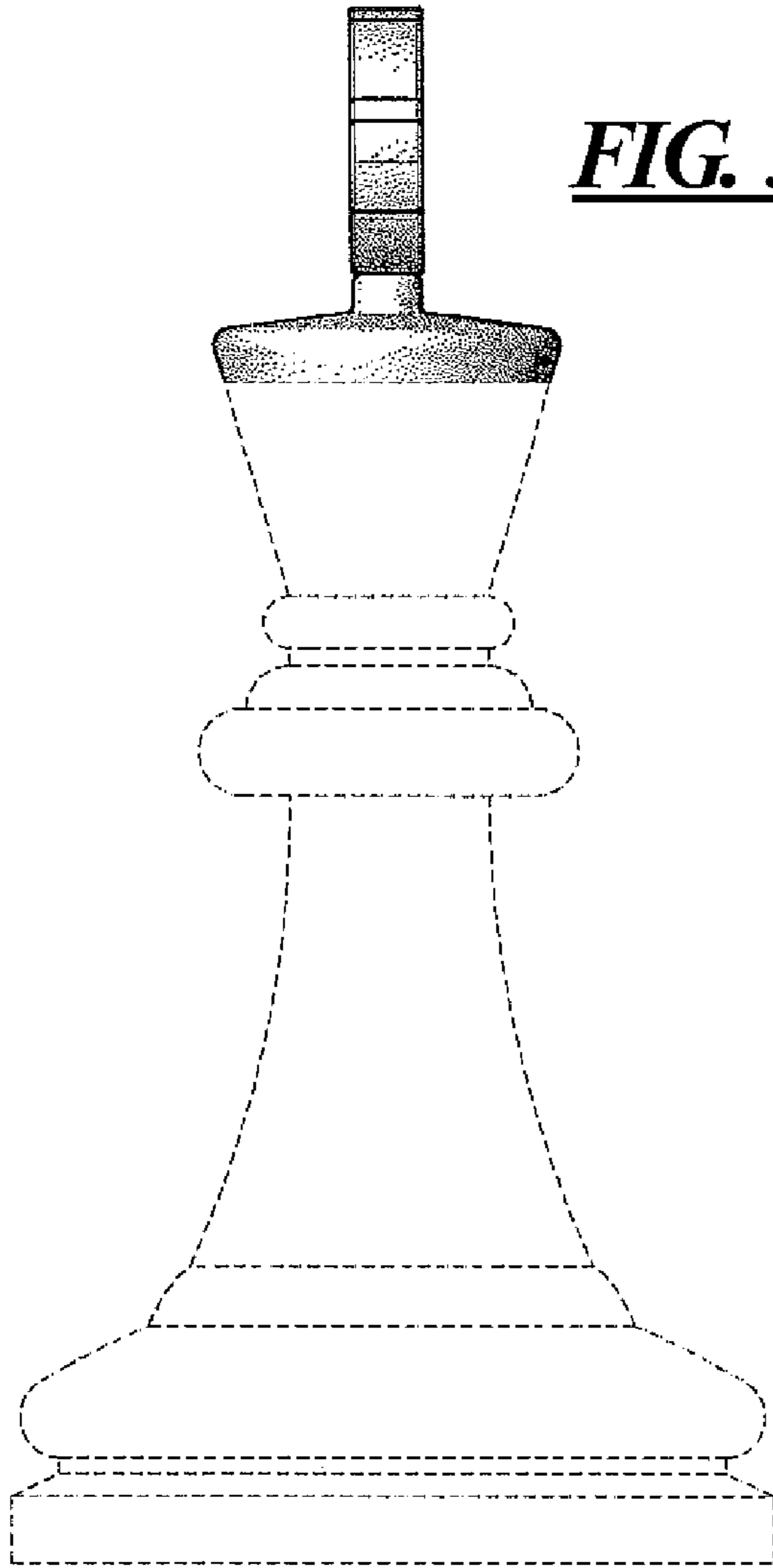


FIG. 3

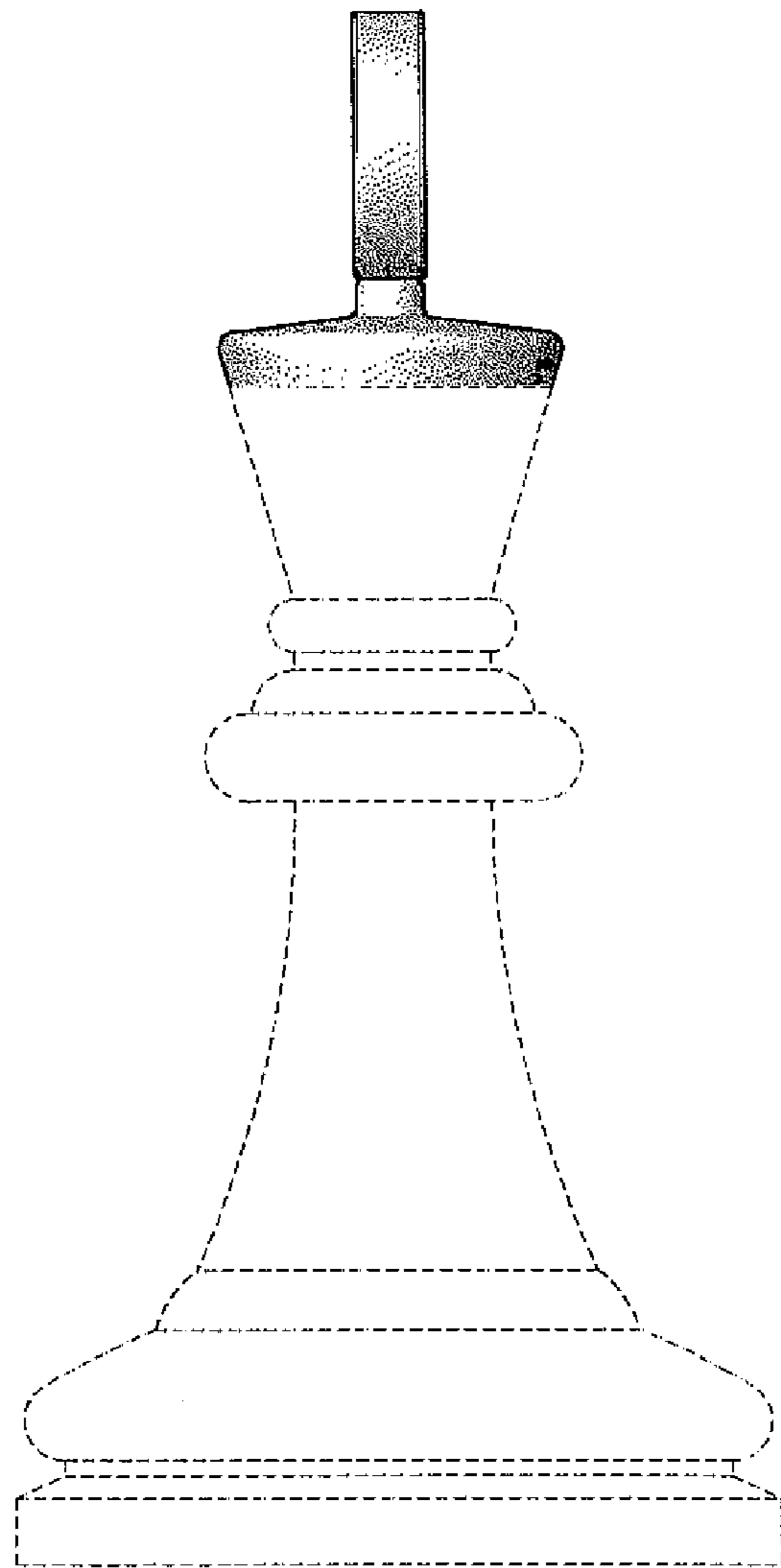


FIG. 4

FIG. 5

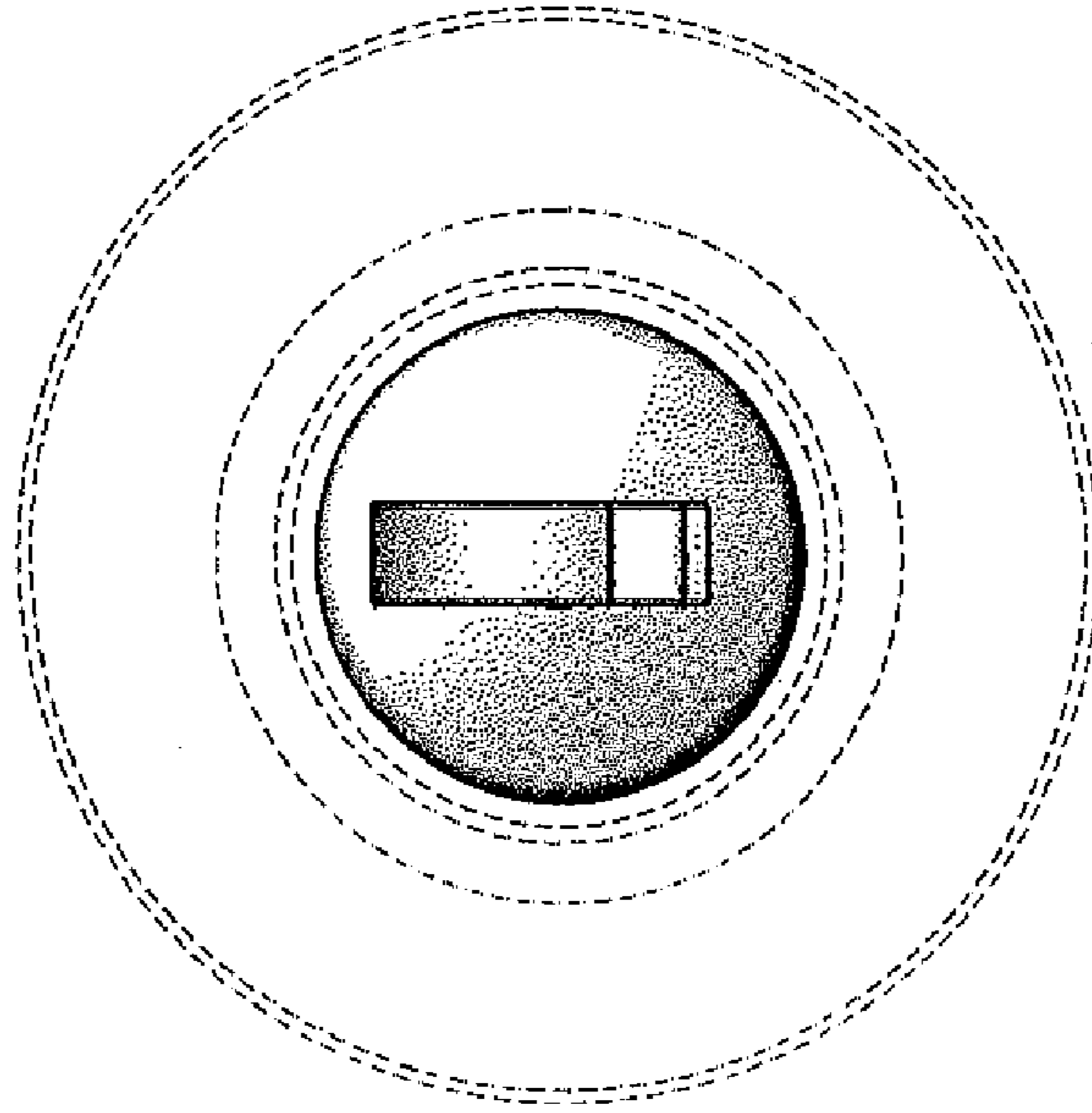


FIG. 6

