



US00D565120S

(12) **United States Design Patent**
Proud et al.

(10) **Patent No.:** **US D565,120 S**
(45) **Date of Patent:** **** Mar. 25, 2008**

(54) **ELECTRONIC GAME APPARATUS**

(75) Inventors: **Ian D. Proud**, Selinsgrove, PA (US);
Eric A. Tritsch, Millheim, PA (US);
Gabriela Diego-Gomez, Milton, PA
(US); **Greg Scott**, Duncannon, PA (US);
Craig P. Mellott, Beavertown, PA (US)

(73) Assignee: **Playworld Systems, Inc.**, Lewisburg,
PA (US)

(**) Term: **14 Years**

(21) Appl. No.: **29/289,014**

(22) Filed: **Jun. 29, 2007**

(51) **LOC (8) Cl.** **21-01**

(52) **U.S. Cl.** **D21/328; D21/324**

(58) **Field of Classification Search** D21/324–328,
D21/385, 369; D14/496, 400; 273/459–461,
273/454–456, 148 B, 148 A; 463/29, 30,
463/46, 47; 345/156, 157, 1.1, 1, 2, 905;
434/308, 309, 314, 318

See application file for complete search history.

(56) **References Cited**

U.S. PATENT DOCUMENTS

4,322,073 A * 3/1982 Slavik et al. 463/2
5,377,998 A * 1/1995 Schainbaum 273/459
D369,190 S * 4/1996 Feiz D21/329

D487,116 S * 2/2004 Bedford et al. D21/329
6,803,884 B1 * 10/2004 Ohzawa et al. 345/1.1
D505,424 S * 5/2005 Ashida et al. D14/401
6,989,800 B2 * 1/2006 McLaughlin 345/1.3
7,002,553 B2 * 2/2006 Shkolnikov 345/169
D552,183 S * 10/2007 Boon et al. D21/324
D553,693 S * 10/2007 Thibert D21/366
7,289,085 B2 * 10/2007 Adams et al. 345/7
7,289,300 B2 * 10/2007 McCarthy 360/261.1

* cited by examiner

Primary Examiner—Prabhakar Deshmukh

(74) *Attorney, Agent, or Firm*—Woodcock Washburn LLP

(57) **CLAIM**

The ornamental design for an electronic game apparatus, as shown and described.

DESCRIPTION

FIG. 1 is a perspective view of an electronic game apparatus showing our new design.

FIG. 2 is a front view thereof.

FIG. 3 is a rear view thereof.

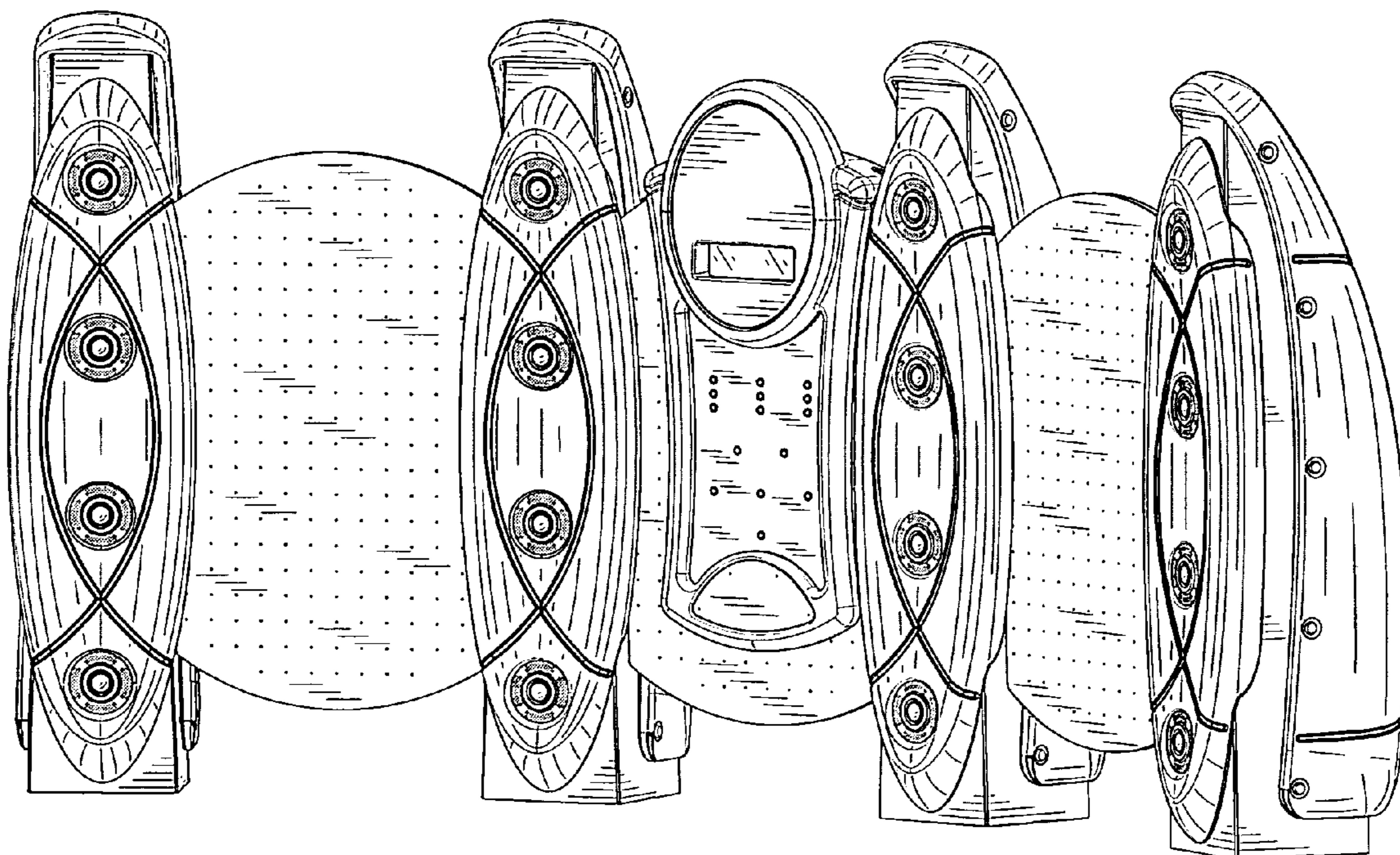
FIG. 4 is a left side view thereof.

FIG. 5 is a right side view thereof.

FIG. 6 is a top view thereof; and,

FIG. 7 is a bottom view thereof.

1 Claim, 6 Drawing Sheets



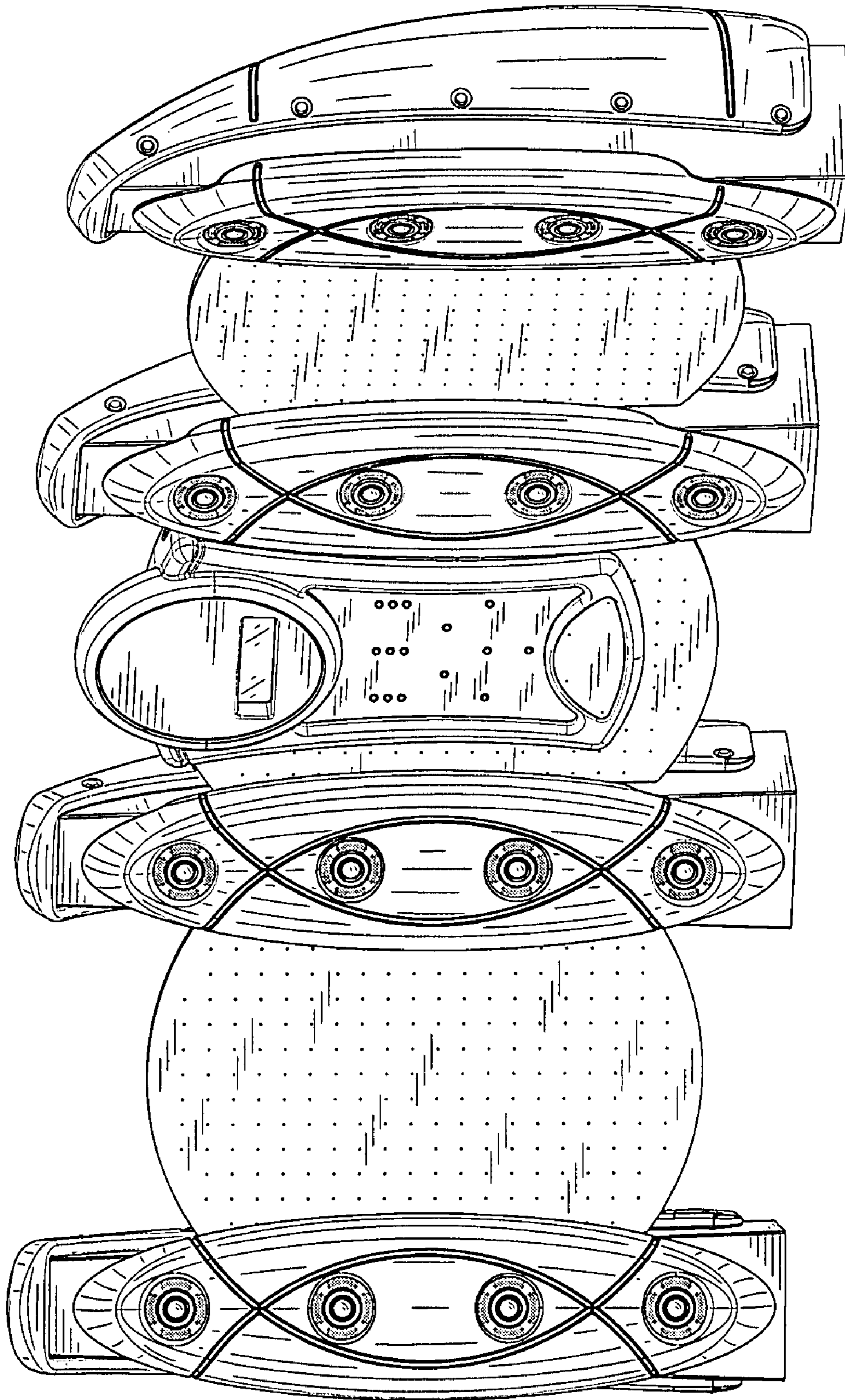


FIG. 1

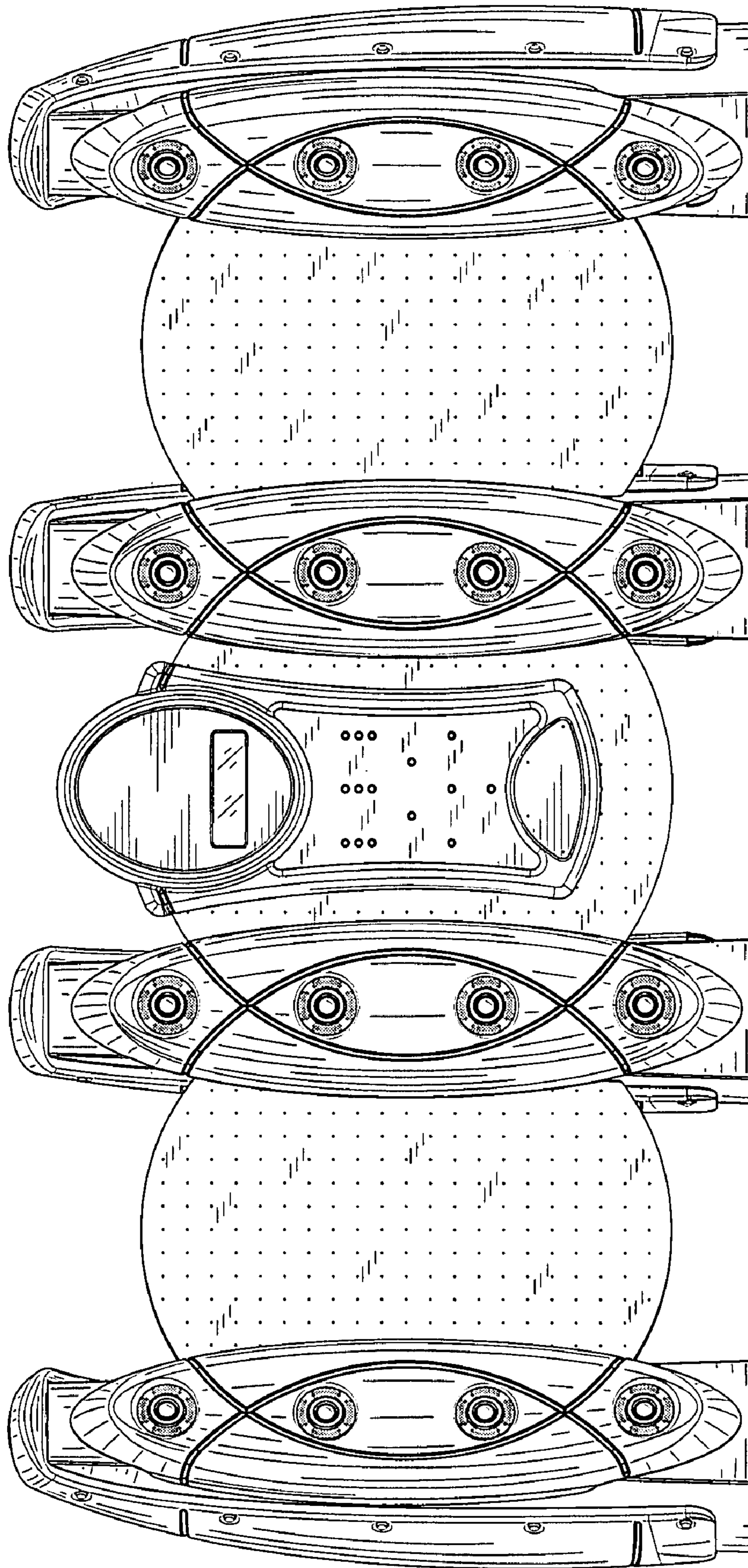


FIG. 2

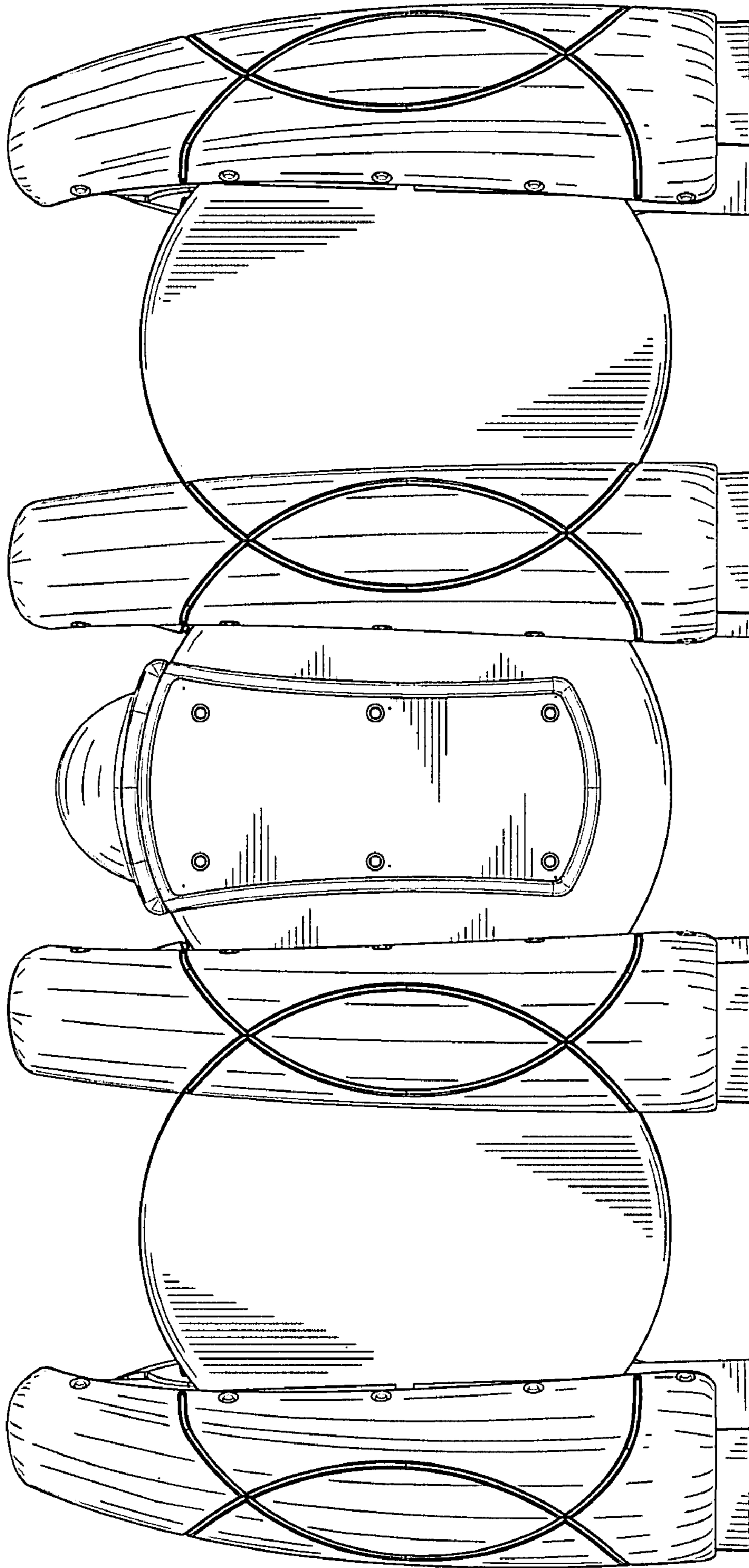


FIG. 3

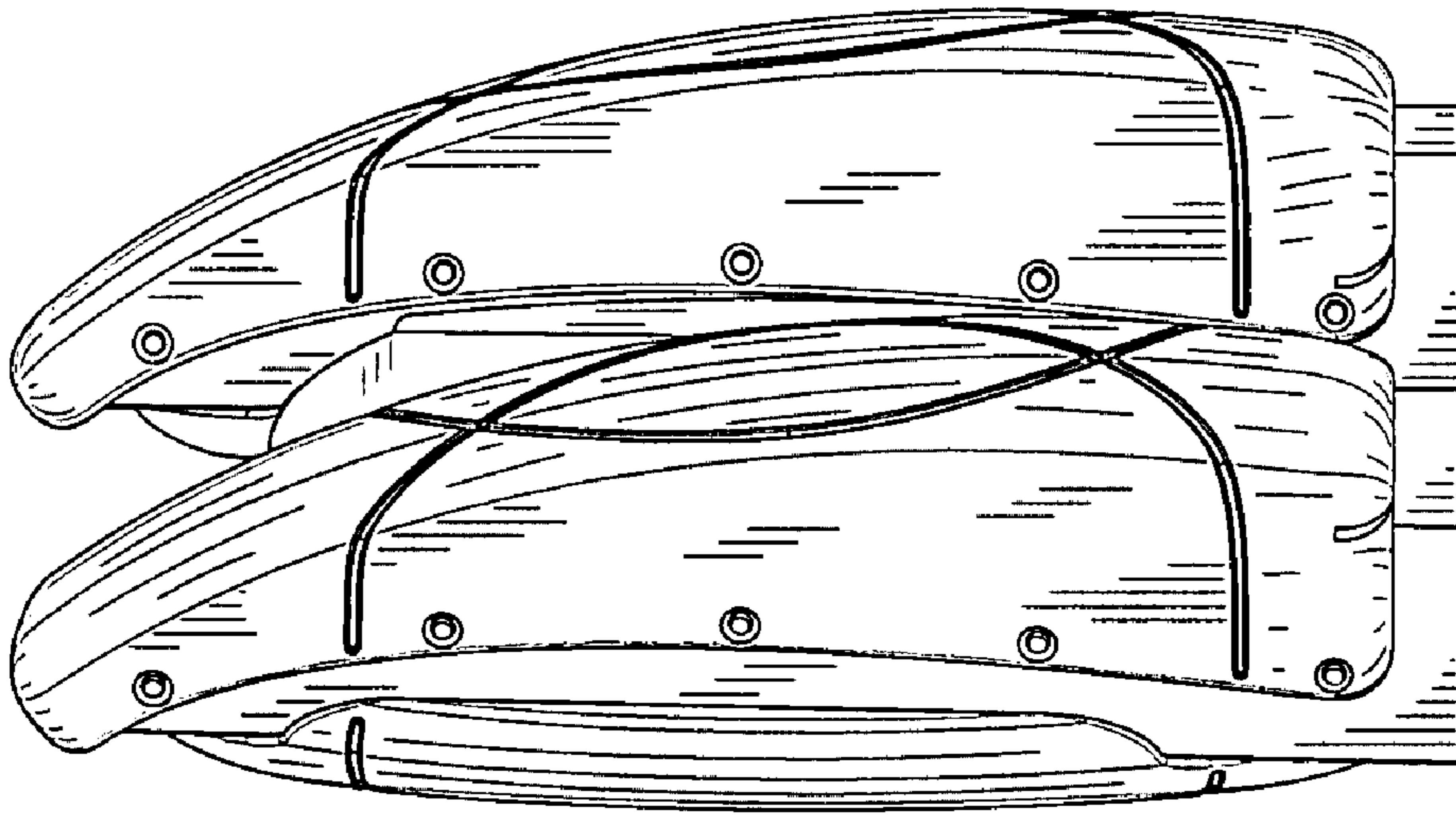


FIG. 4



FIG. 5

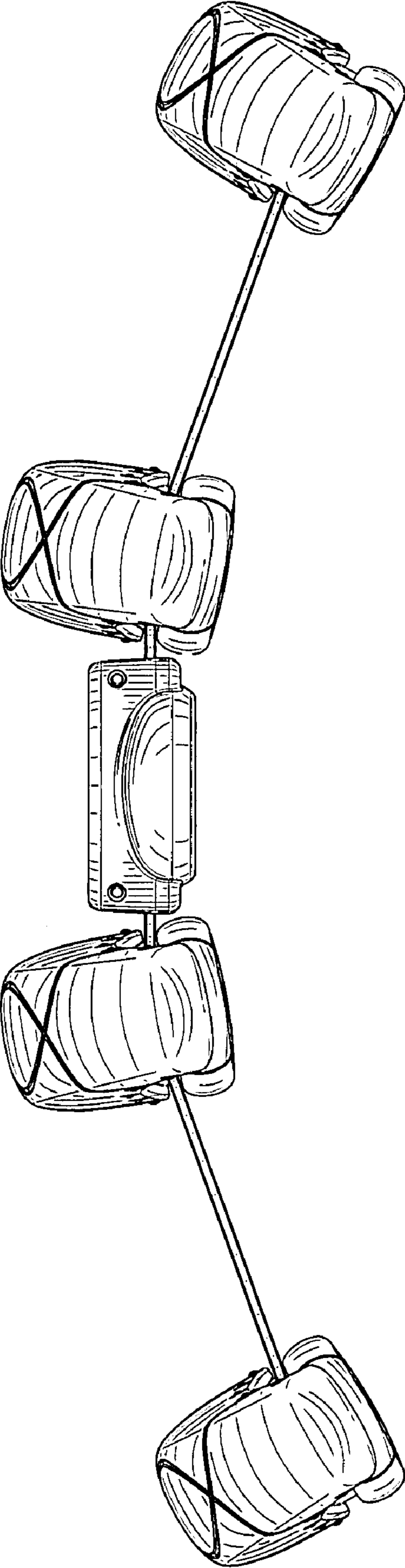


FIG. 6

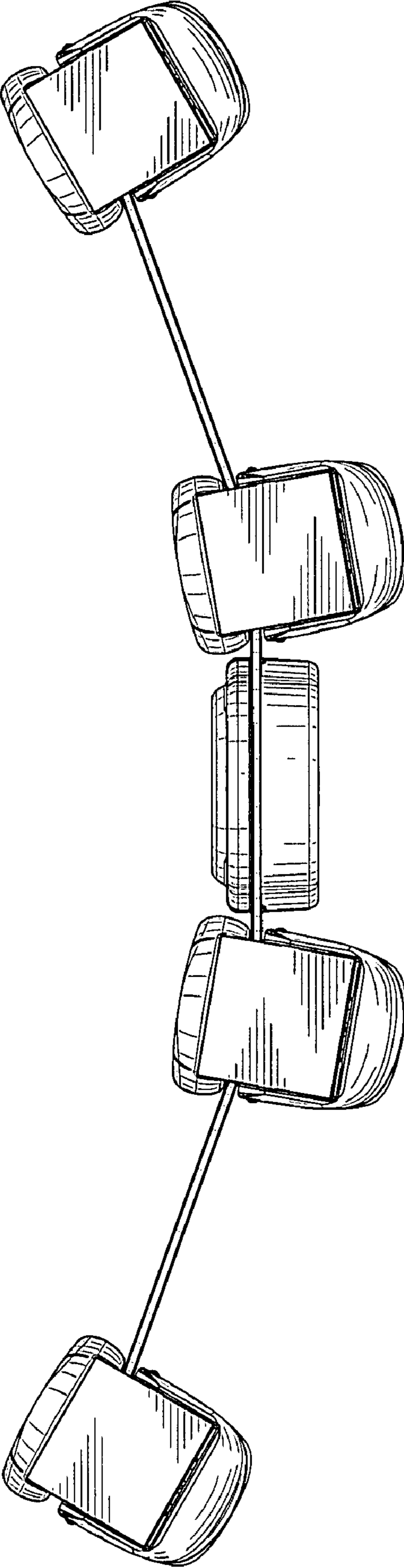


FIG. 7