

US00D565118S

(12) **United States Design Patent**
Luehne

(10) **Patent No.:** **US D565,118 S**
(45) **Date of Patent:** **** Mar. 25, 2008**

(54) **COMBINED NEON TUBE CLIP AND
RETAINER CAP**

(75) Inventor: **Mark Levi Luehne**, Galesville, WI
(US)

(73) Assignee: **Everbrite, L.L.C.**, Greenfield, WI (US)

(**) Term: **14 Years**

(21) Appl. No.: **29/263,271**

(22) Filed: **Jul. 19, 2006**

(51) **LOC (8) Cl.** **20-99**

(52) **U.S. Cl.** **D20/99; D8/396**

(58) **Field of Classification Search** D20/10,
D20/43, 99; 362/382, 392, 396, 457, 494,
362/551, 562, 812; 40/545, 584, 642.02,
40/647, 651, 653, 658, 660, 661, 661.05,
40/662; 248/50, 74.1, 74.2, 201; D8/373,
D8/375, 394-396, 380; 425/577

See application file for complete search history.

(56) **References Cited**

U.S. PATENT DOCUMENTS

| | | | |
|---------------|---------|--------------|---------|
| 2,352,318 A | 6/1944 | Guamaschelli | |
| 2,545,416 A | 2/1951 | Staaf | |
| 2,744,705 A | 5/1956 | Richter | |
| 2,850,560 A | 9/1958 | Heyob | |
| 3,135,488 A | 6/1964 | Leonard | |
| 3,154,281 A * | 10/1964 | Frank | 248/201 |
| 4,666,109 A | 5/1987 | Fallon | |
| 4,783,029 A | 11/1988 | Geppert | |
| 5,108,054 A | 4/1992 | Degand | |
| 5,122,052 A * | 6/1992 | Trame et al. | 425/577 |
| D333,087 S * | 2/1993 | Tekirian | D8/394 |

| | | | |
|---------------|---------|------------------|----------|
| 5,257,762 A | 11/1993 | Trame | |
| D344,672 S * | 3/1994 | Current | D8/373 |
| 5,464,178 A | 11/1995 | Grinwald | |
| 5,797,675 A * | 8/1998 | Tanner, Jr. | 362/396 |
| 6,145,793 A * | 11/2000 | Kroulik et al. | 248/74.1 |
| D516,903 S * | 3/2006 | Friedline et al. | D8/380 |
| D522,849 S * | 6/2006 | Dick et al. | D8/395 |

* cited by examiner

Primary Examiner—Joel A. Sincavage

Assistant Examiner—Mary Ann Calabrese

(74) *Attorney, Agent, or Firm*—Patents Penned, Inc.;
Richard S. Missimer

(57) **CLAIM**

I claim, the ornamental design for a combined neon tube clip and retainer cap, as shown and described.

DESCRIPTION

FIG. 1 is a perspective view of the combined neon tube clip with the retainer cap

FIG. 2 is a front view of the combined neon tube clip in an alternate position of use with the retainer cap removed.

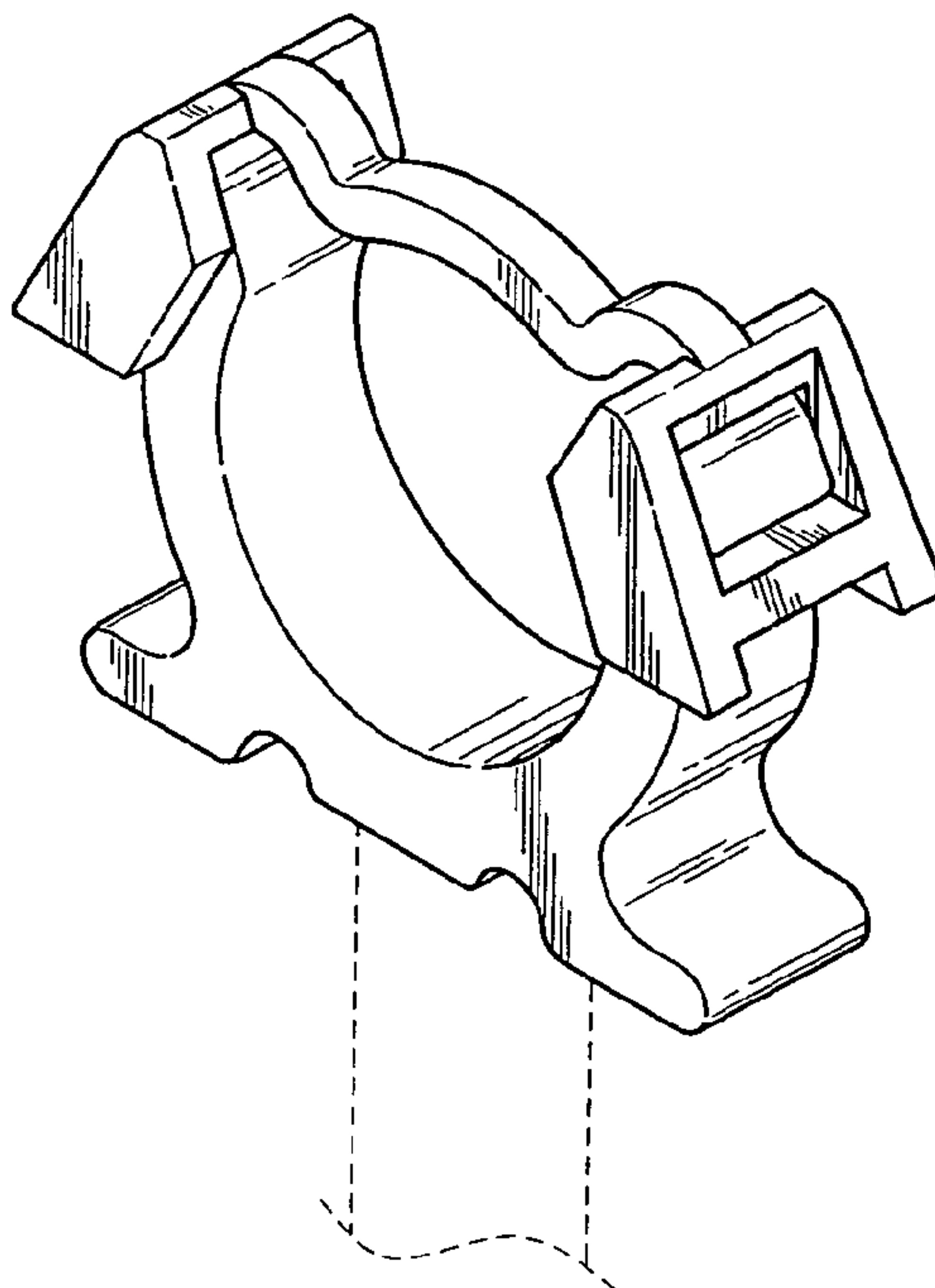
FIG. 3 is a front view of the combined neon tube clip with the retainer cap.

FIG. 4 is a side view of the combined neon tube clip with the retainer cap; and,

FIG. 5 is a top view of the combined neon tube clip with the retainer cap.

In the drawings, the broken lines represent environmental structure forming no part of the claim.

1 Claim, 3 Drawing Sheets



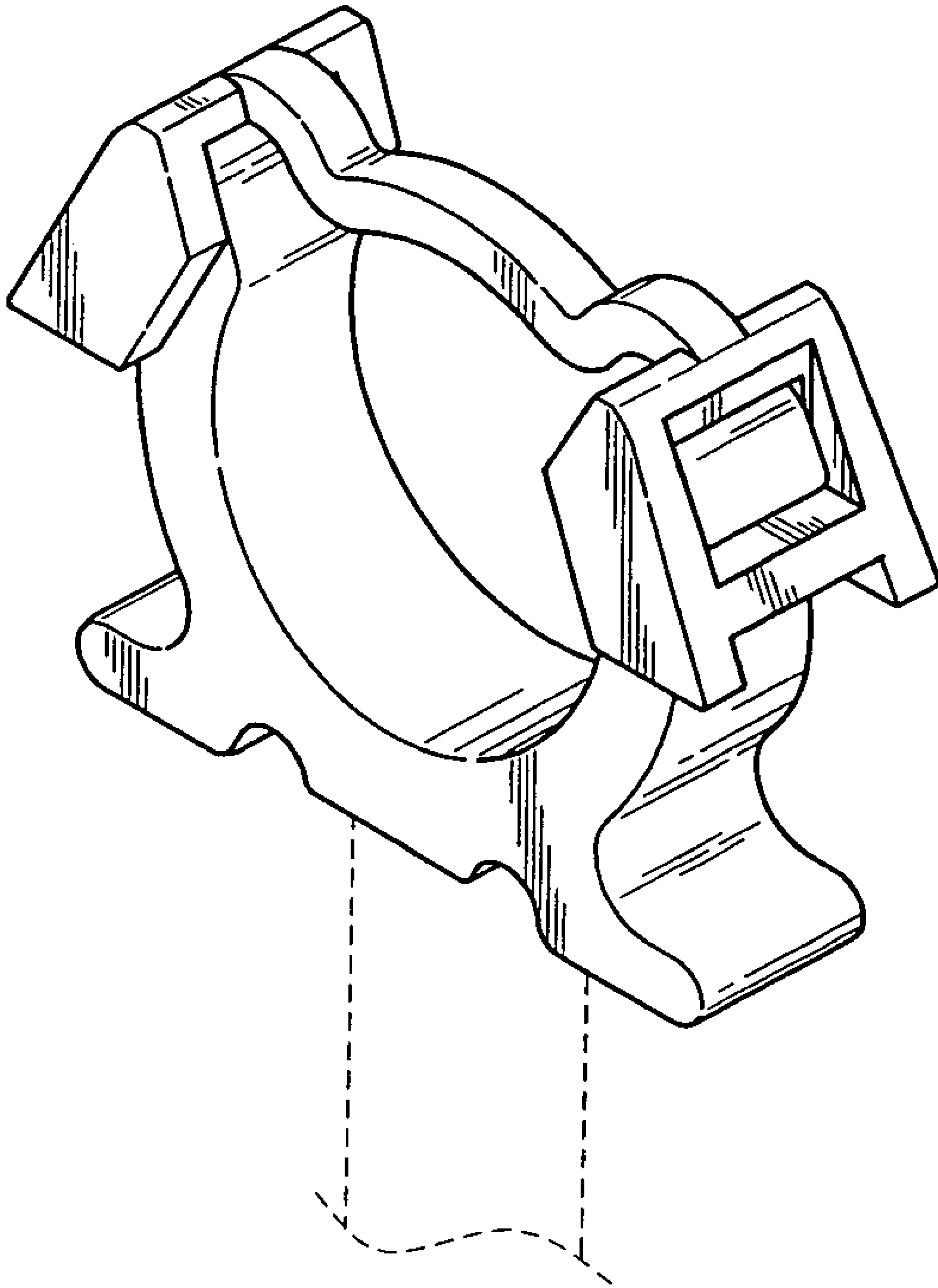


FIG. 1

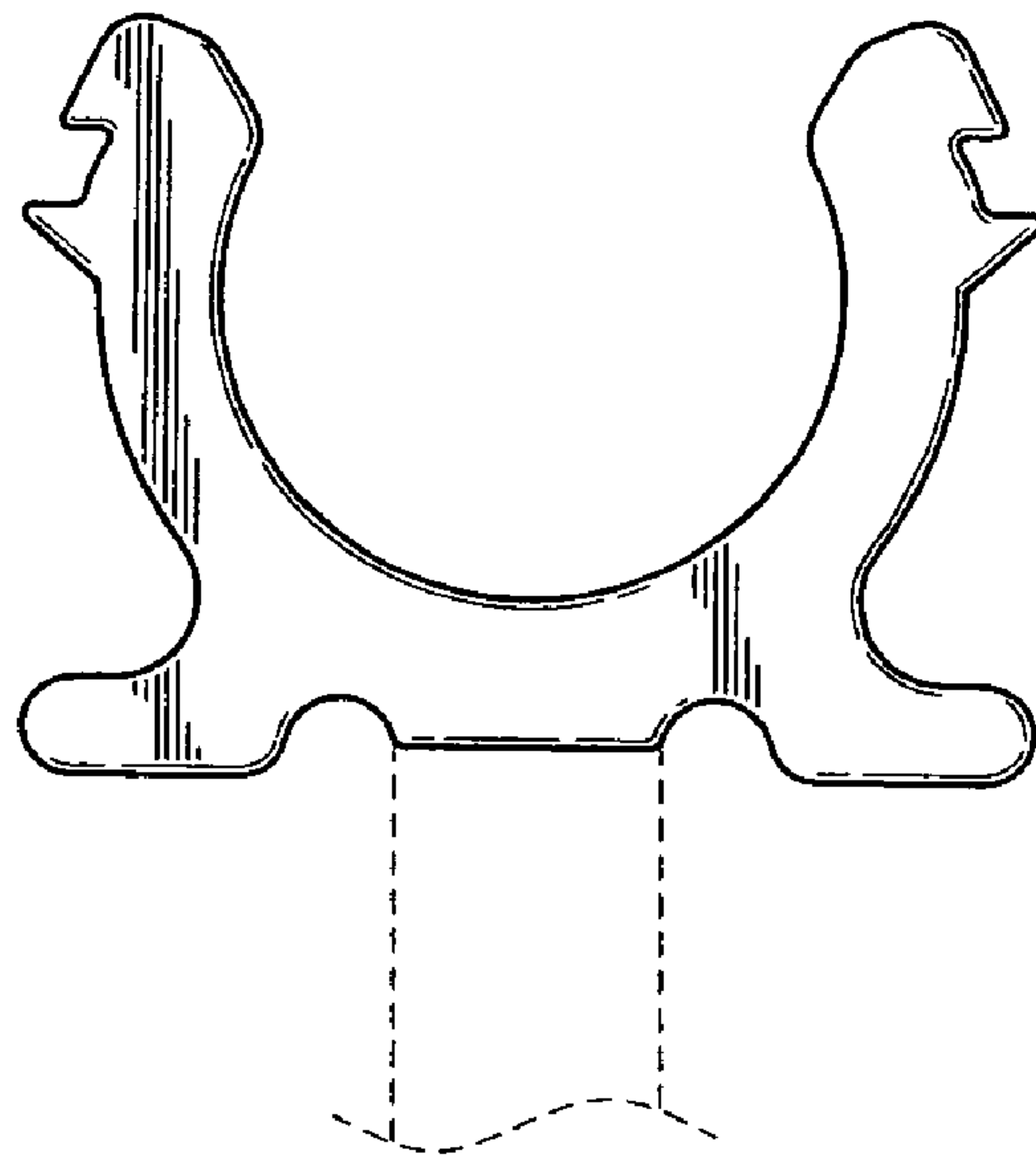


FIG. 2

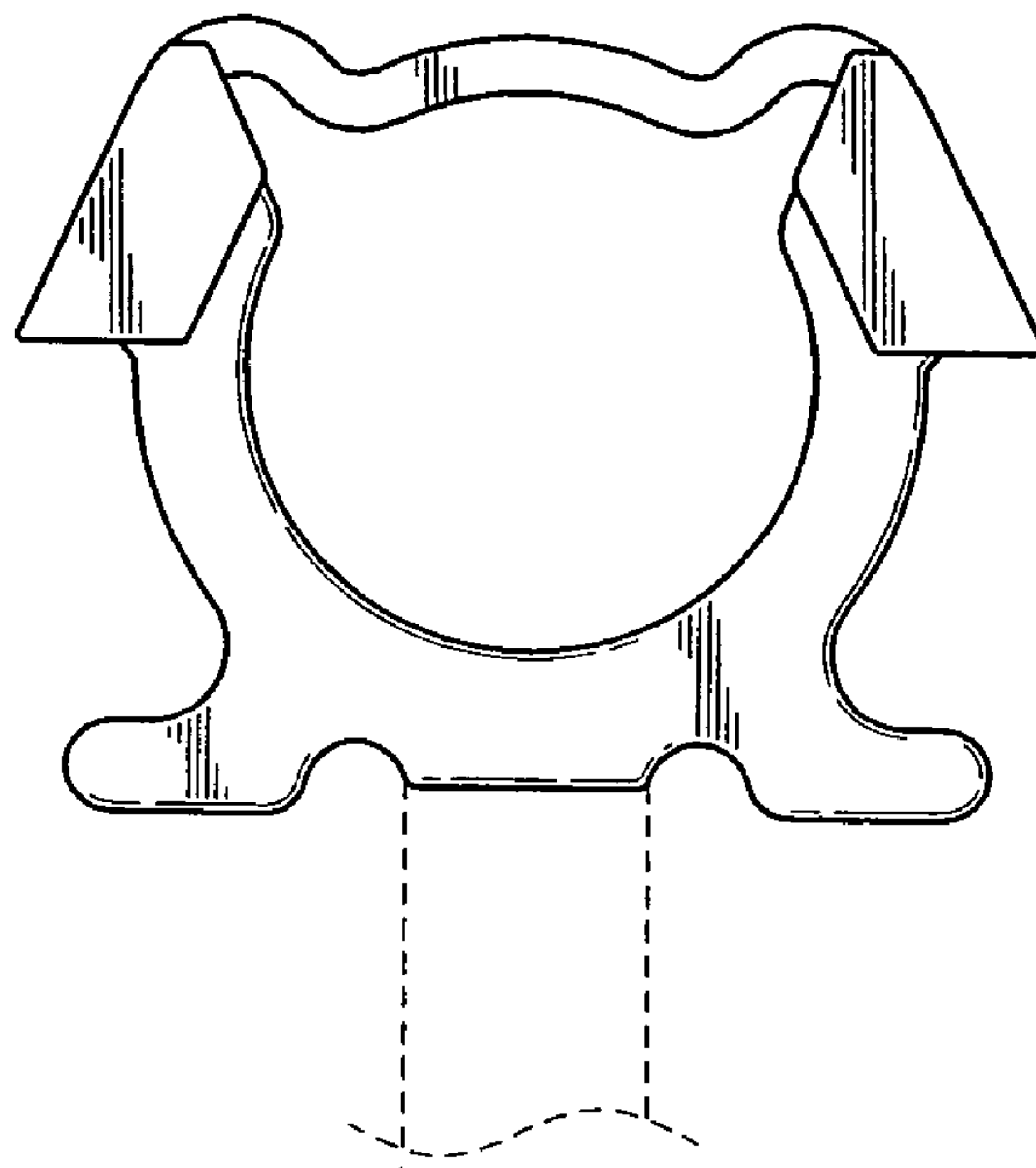


FIG. 3

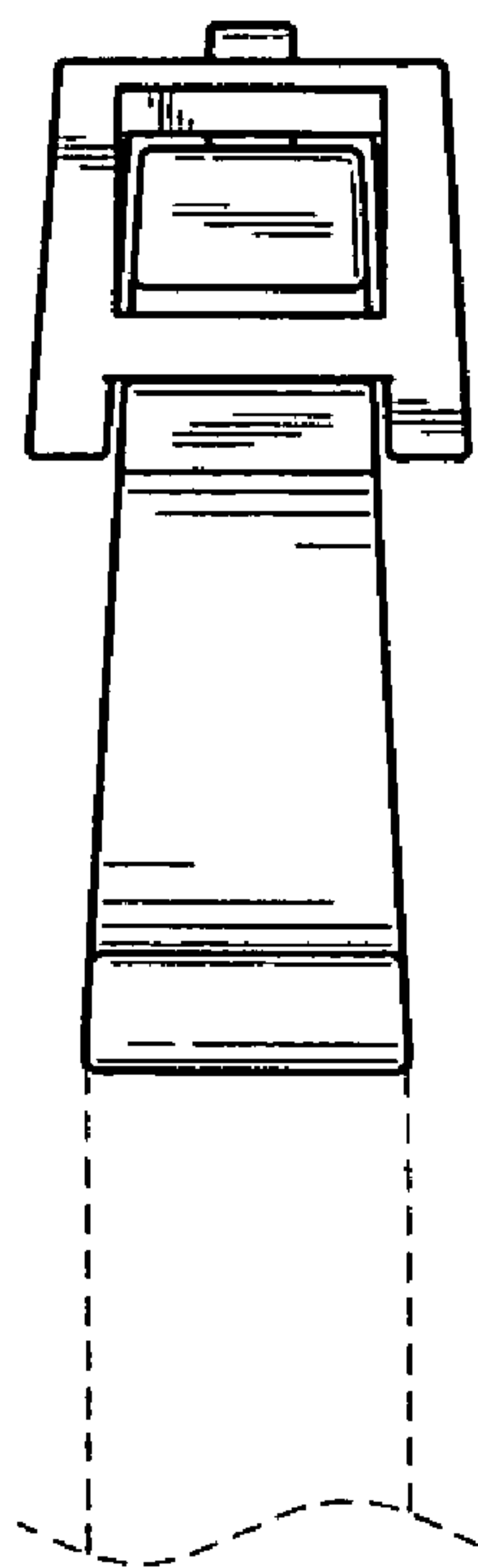


FIG. 4

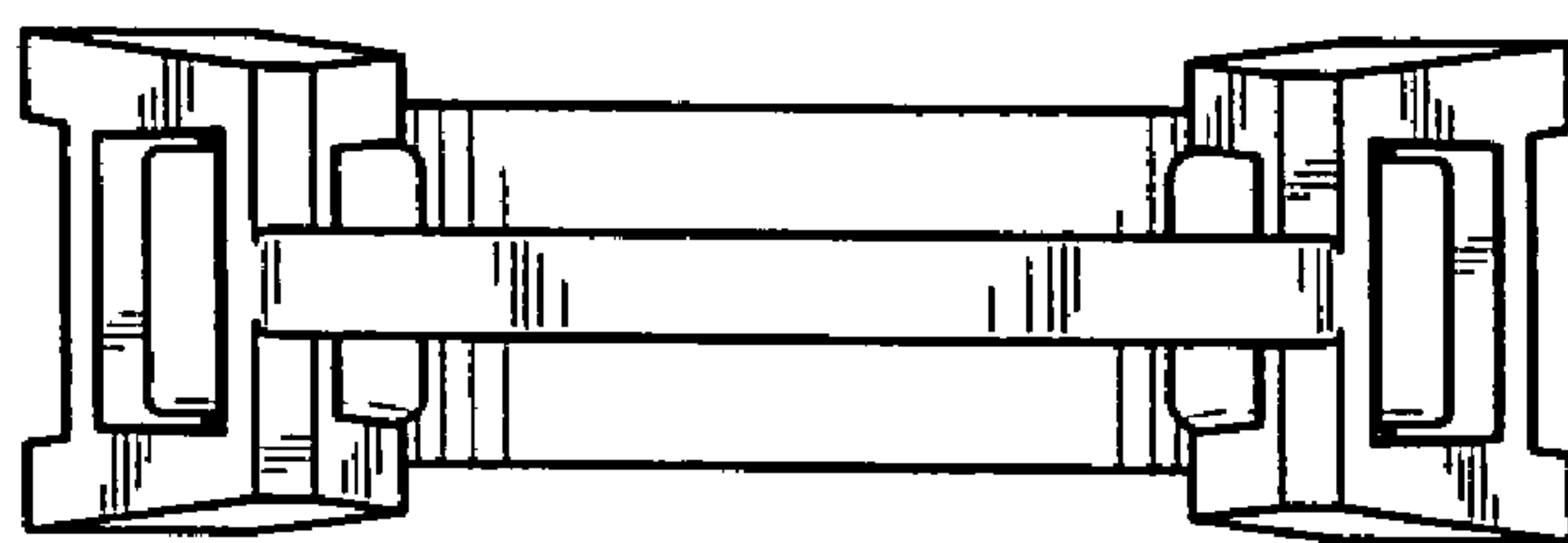


FIG. 5