



US00D565117S

(12) **United States Design Patent**
Jones

(10) **Patent No.:** **US D565,117 S**
(45) **Date of Patent:** **** Mar. 25, 2008**

(54) **BUS STOP SIGN**

(76) Inventor: **Sharon L. Jones**, 2104 SW. 334th Pl.,
Apartment B9, Federal Way, WA (US)
98023

(**) Term: **14 Years**

(21) Appl. No.: **29/276,939**

(22) Filed: **Feb. 9, 2007**

(51) **LOC (8) Cl.** **20-02**

(52) **U.S. Cl.** **D20/35; D20/42**

(58) **Field of Classification Search** D20/10,
D20/12, 17, 29, 35, 39, 40, 42, 99; 40/124.01,
40/541, 542, 584, 591, 607.03, 735; 283/56;
362/812; D11/133; D6/303

See application file for complete search history.

(56) **References Cited**

U.S. PATENT DOCUMENTS

4,329,801	A *	5/1982	Clausen	40/607.03
4,410,930	A	10/1983	Yachabach		
4,794,716	A *	1/1989	George et al.	40/735
D310,545	S *	9/1990	Avittan	D20/10
5,107,637	A	4/1992	Robbins		
5,149,188	A	9/1992	Robbins		
5,276,424	A	1/1994	Hegemann		
5,363,608	A	11/1994	Conlan		
D419,911	S *	2/2000	Bonde	D11/133

6,060,658	A	5/2000	Yoshida et al.		
D433,457	S *	11/2000	Linton	D20/42
6,604,840	B2	8/2003	Watson		
D484,543	S *	12/2003	Lachner, Sr.	D20/35
D499,767	S *	12/2004	Wells et al.	D20/35
6,974,228	B2	12/2005	Weiser et al.		
2006/0012978	A1	1/2006	Allsop et al.		

* cited by examiner

Primary Examiner—Robert M. Spear
Assistant Examiner—Mary Ann Calabrese

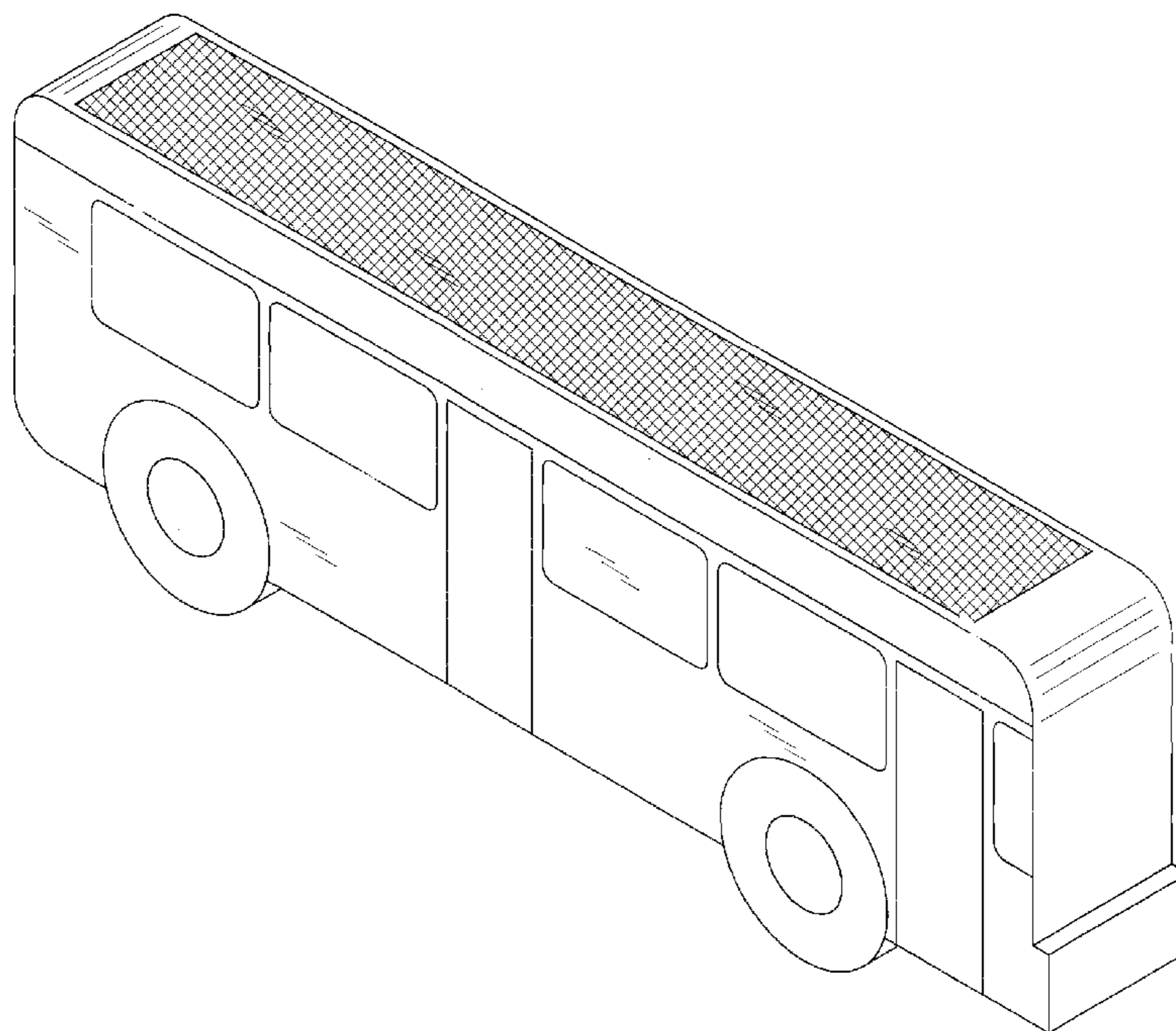
(57) **CLAIM**

The ornamental design for a bus stop sign, as shown and described.

DESCRIPTION

FIG. 1 is a front elevation view of a bus stop sign showing my new design;
FIG. 2 is a rear elevation view;
FIG. 3 is a right elevation view;
FIG. 4 is a left elevation view;
FIG. 5 is a top plan view;
FIG. 6 is a bottom plan view; and,
FIG. 7 is a right side isometric view of a bus stop sign showing my new design.

1 Claim, 4 Drawing Sheets



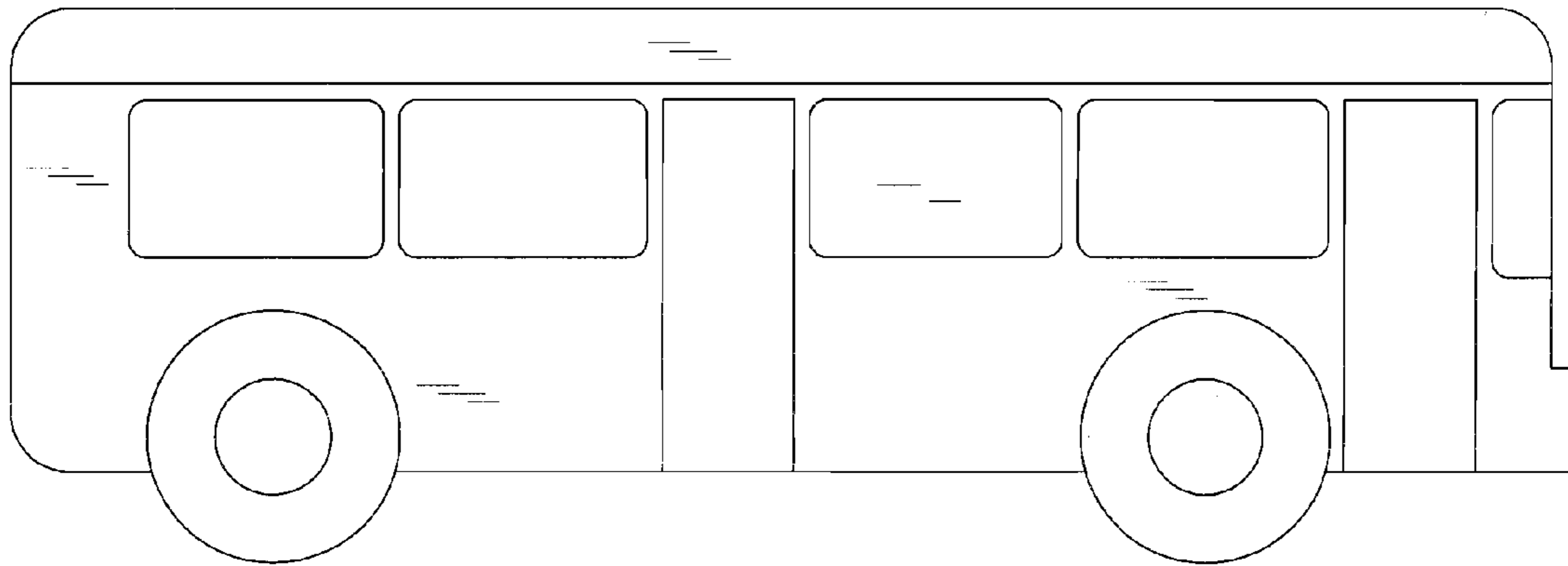


FIG. 1



FIG. 2

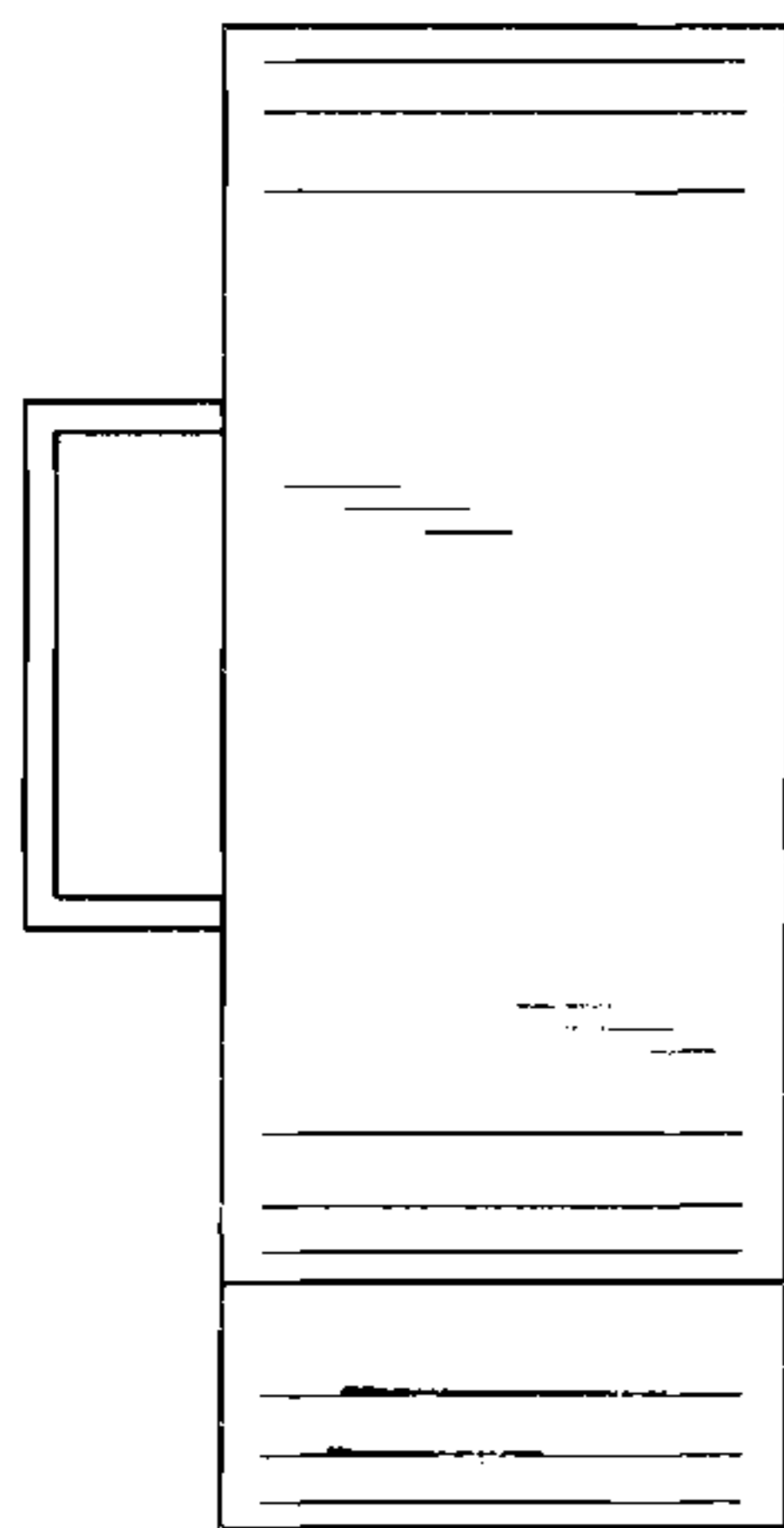


FIG. 3

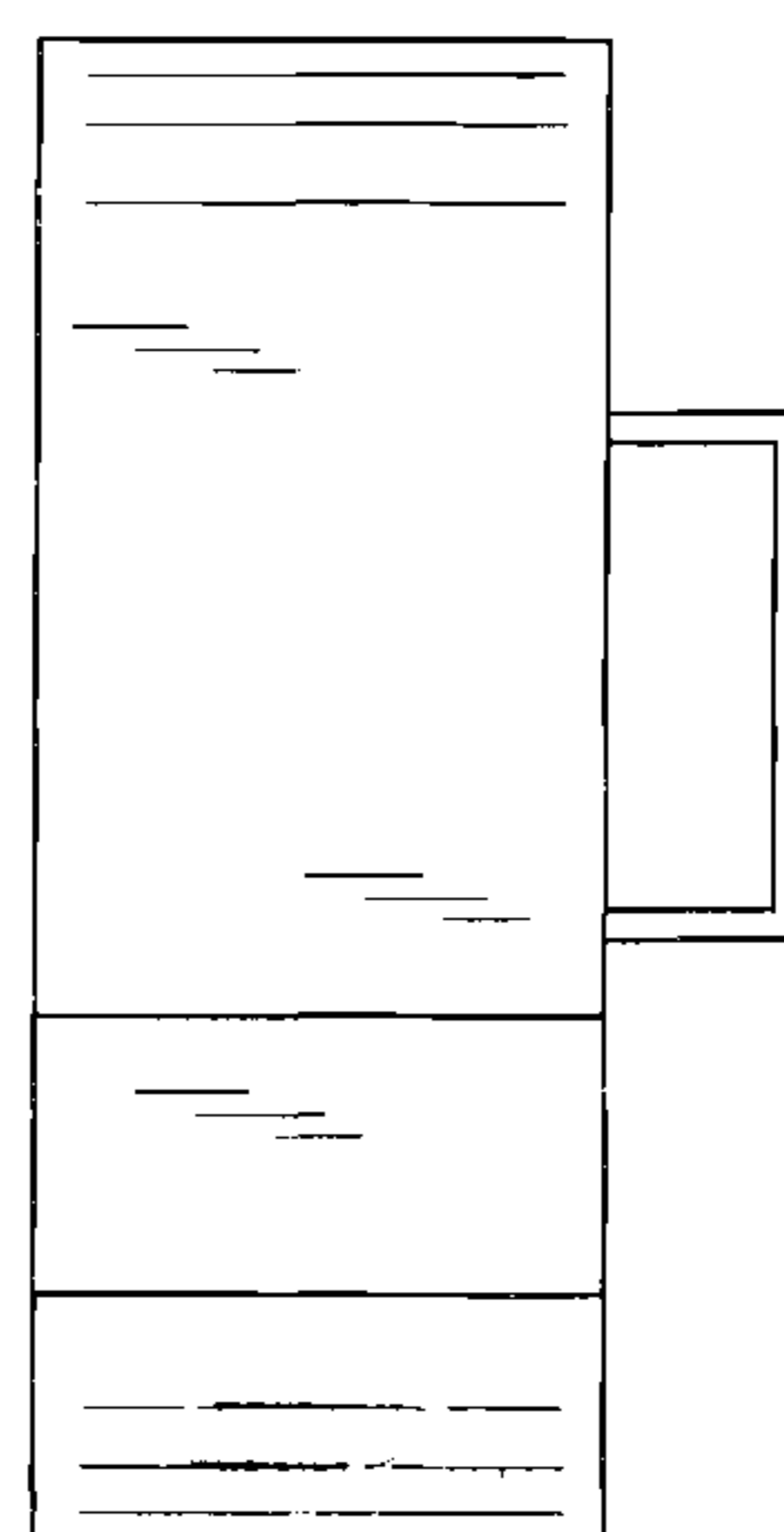


FIG. 4

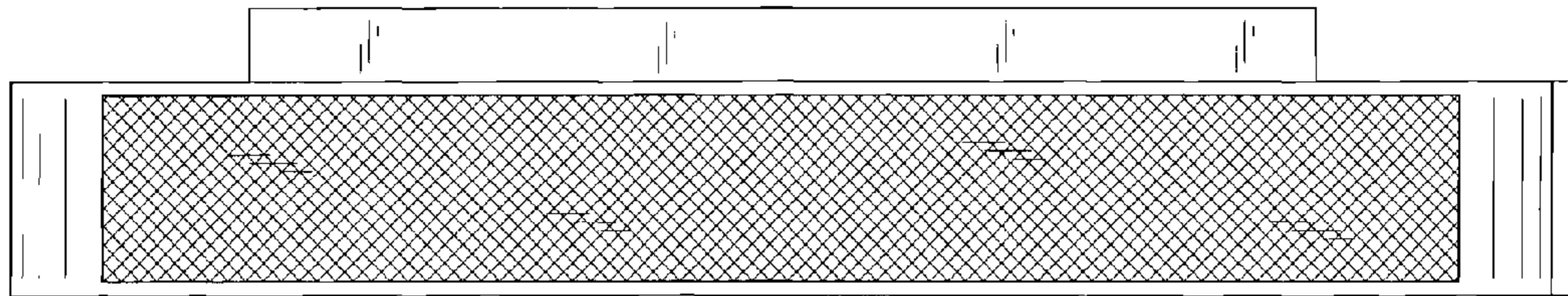


FIG. 5

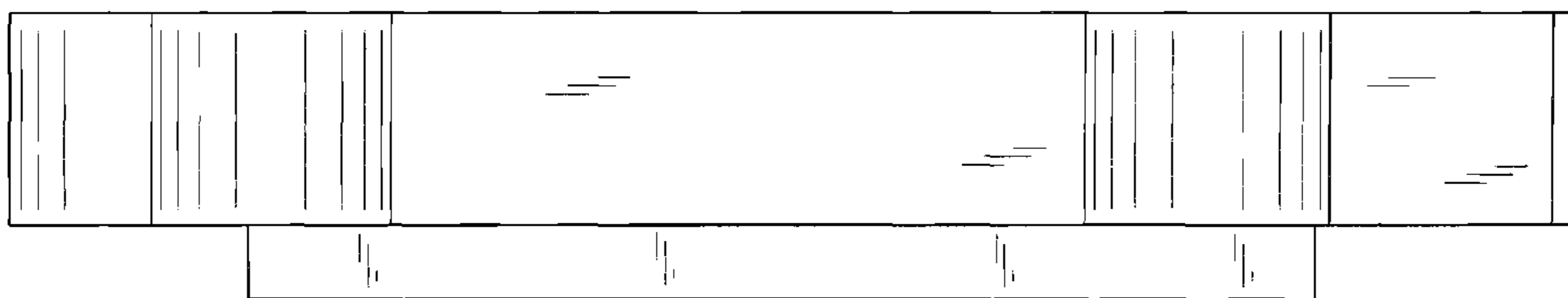


FIG. 6

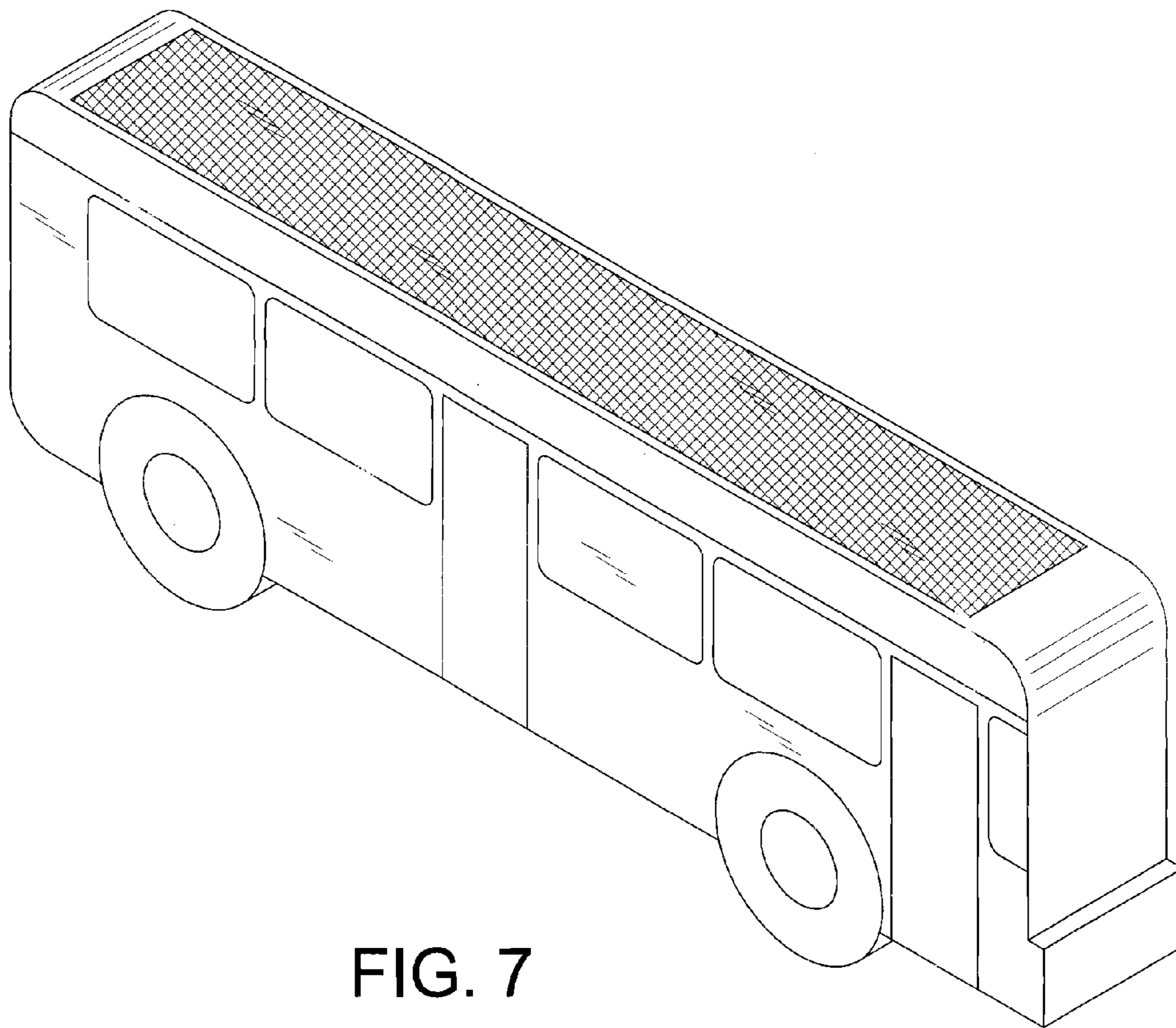


FIG. 7