

US00D565112S

(12) **United States Design Patent** (10) **Patent No.:** **US D565,112 S**
Lau (45) **Date of Patent:** **** Mar. 25, 2008**

(54) **INTEGRATED TABBED NOTE AND CLIP**

(76) Inventor: **Janet K. Lau**, 1937 Abreu Way, Union City, CA (US) 94587

(**) Term: **14 Years**

(21) Appl. No.: **29/276,185**

(22) Filed: **Jan. 18, 2007**

(51) **LOC (8) Cl.** **19-02**

(52) **U.S. Cl.** **D19/65**

(58) **Field of Classification Search** D6/515;
D7/686; D8/16; D19/1, 2, 5, 6, 34, 65, 86,
D19/90, 91, 99; D20/22, 40, 43; 24/67 R,
24/67.3, 67.5, 67.7, 67.9, 67.11, 545, 546,
24/547, 551, 552, 555; 40/300, 301, 302,
40/360, 384, 641, 651, 653, 658, 659, 666;
116/236, 237

See application file for complete search history.

(56) **References Cited**

U.S. PATENT DOCUMENTS

332,327 A 12/1885 Clark

(Continued)

FOREIGN PATENT DOCUMENTS

JP 09-071065 A 3/1997

(Continued)

Primary Examiner—Cathron C. Brooks

Assistant Examiner—Austin Murphy

(74) *Attorney, Agent, or Firm*—Aka Chan LLP

(57) **CLAIM**

The ornamental design for an integrated tabbed note and clip, as shown and described.

DESCRIPTION

FIG. 1 shows a perspective view of a first embodiment of a design for an integrated tabbed note and clip.

FIG. 2 shows a front view of the first embodiment.

FIG. 3 shows a right-side view of the first embodiment. A left-side view of this embodiment is a mirror image of this figure.

FIG. 4 shows a back view of the first embodiment.

FIG. 5 shows a top view of the first embodiment.

FIG. 6 shows a bottom view of the first embodiment.

FIG. 7 shows a perspective view of a second embodiment.

FIG. 8 shows a front view of the second embodiment.

FIG. 9 shows a right-side view of the second embodiment.

A left-side view of this embodiment is a mirror image of this figure.

FIG. 10 shows a back view of the second embodiment.

FIG. 11 shows a top view of the second embodiment.

FIG. 12 shows a bottom view of the second embodiment.

FIG. 13 shows a perspective view of a third embodiment.

FIG. 14 shows a front view of the third embodiment.

FIG. 15 shows a right-side view of the third embodiment.

A left-side view of this embodiment is a mirror image of this figure.

FIG. 16 shows a back view of the third embodiment.

FIG. 17 shows a top view of the third embodiment.

FIG. 18 shows a bottom view of the third embodiment.

FIG. 19 shows a perspective view of a fourth embodiment.

FIG. 20 shows a front view of the fourth embodiment.

FIG. 21 shows a right-side view of the fourth embodiment.

A left-side view of this embodiment is a mirror image of this figure.

FIG. 22 shows a back view of the fourth embodiment.

FIG. 23 shows a top view of the fourth embodiment.

FIG. 24 shows a bottom view of the fourth embodiment.

FIG. 25 shows a perspective view of a fifth embodiment.

FIG. 26 shows a front view of the fifth embodiment.

FIG. 27 shows a right-side view of the fifth embodiment.

A left-side view of this embodiment is a mirror image of this figure.

FIG. 28 shows a back view of the fifth embodiment.

FIG. 29 shows a top view of the fifth embodiment.

FIG. 30 shows a bottom view of the fifth embodiment.

FIG. 31 shows a perspective view of a sixth embodiment.

FIG. 32 shows a front view of the sixth embodiment.

FIG. 33 shows a right-side view of the sixth embodiment.

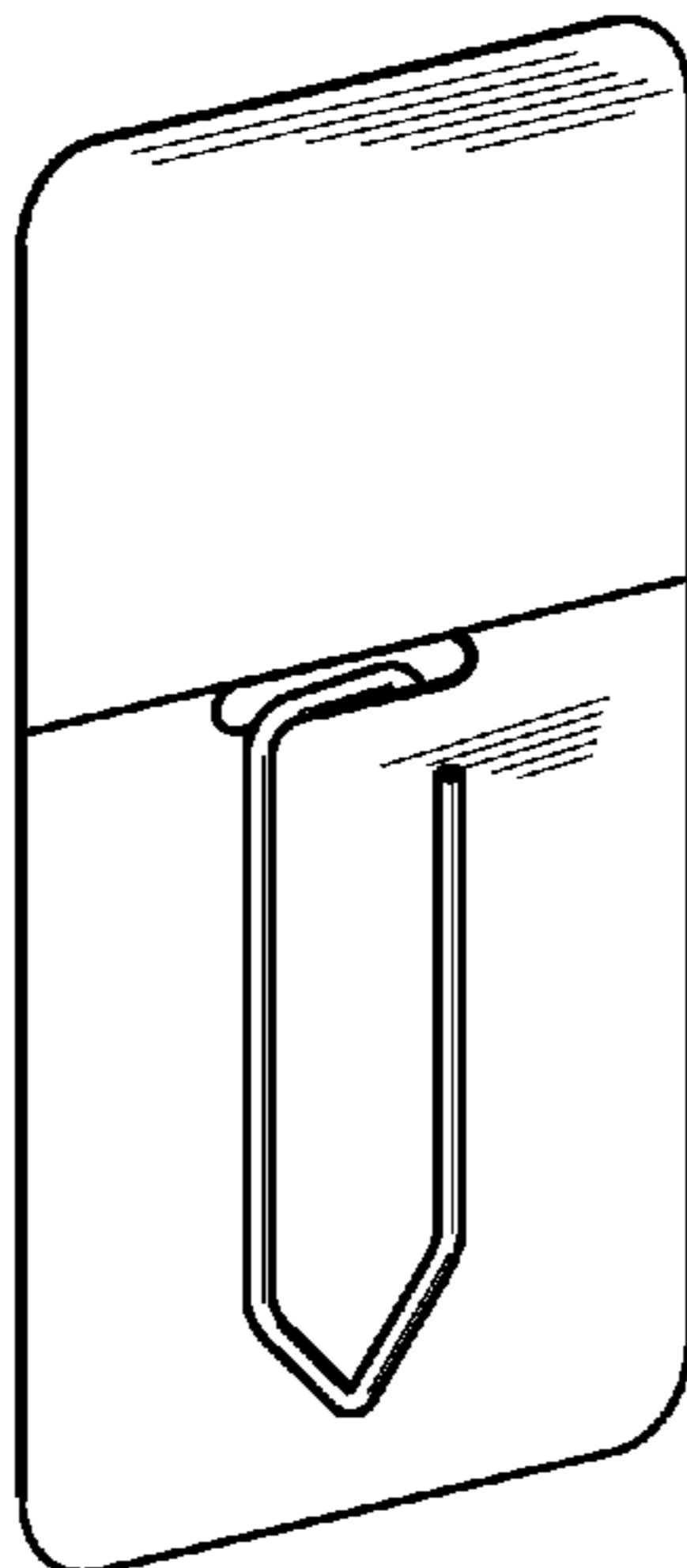
A left-side view of this embodiment is a mirror image of this figure.

FIG. 34 shows a back view of the sixth embodiment.

FIG. 35 shows a top view of the sixth embodiment; and,

FIG. 36 shows a bottom view of the sixth embodiment.

1 Claim, 6 Drawing Sheets



US D565,112 S

Page 2

U.S. PATENT DOCUMENTS					
863,265 A	8/1907	Crouse	3,412,422 A *	11/1968	Champlin 16/444
876,252 A	1/1908	Baker	3,934,368 A	1/1976	Fearing
962,397 A	6/1910	Whitmore	D241,342 S	9/1976	Carroll
1,052,505 A	2/1913	Munger et al.	D263,243 S	3/1982	Creamer
1,123,008 A	12/1914	Rice	D268,848 S	5/1983	Lorber
1,158,940 A	11/1915	Litt et al.	4,384,417 A	5/1983	Thompson
1,178,113 A	4/1916	Turton et al.	4,389,801 A *	6/1983	Sharrock et al. 40/775
D50,594 S	4/1917	Voges	4,425,724 A	1/1984	Scott
1,337,607 A *	4/1920	Klenke 24/551	4,458,386 A *	7/1984	Fernandez 24/67.9
1,345,365 A	7/1920	Hutchison	4,646,455 A	3/1987	Gardner
1,465,576 A	8/1923	Biggs	4,691,458 A	9/1987	Scott
1,501,067 A	7/1924	Schaffert	4,878,302 A	11/1989	Jowsey
1,524,478 A	1/1925	Hunter	D305,036 S	12/1989	Voetsch
1,531,249 A *	3/1925	Barman 101/127.1	4,905,870 A *	3/1990	Mamolou 221/36
1,543,295 A	6/1925	Parker	4,951,408 A	8/1990	Banks
1,587,335 A	6/1926	Kline	D314,012 S	1/1991	Klodt
1,661,165 A	3/1928	Cameron	5,067,205 A *	11/1991	Chen et al. 24/67.9
1,778,031 A	10/1930	Kinch	D332,220 S *	1/1993	Specht et al. D9/434
1,802,980 A	4/1931	Marsh	5,199,203 A	4/1993	Jones
1,826,580 A	10/1931	Spinney	D344,545 S *	2/1994	Tsai D19/65
1,840,604 A	1/1932	Randall	5,319,835 A *	6/1994	Chao 24/67.9
1,894,906 A	1/1933	Henry	5,398,384 A *	3/1995	Rinard 24/67.9
1,914,671 A	6/1933	O'Neil	5,406,680 A *	4/1995	Silverberg 24/67.9
1,976,465 A	10/1934	Thomson	5,481,784 A	1/1996	Sinaiko
1,977,096 A	10/1934	Straubel	D368,487 S *	4/1996	Lindberg D19/1
1,985,866 A	12/1934	Lankenau	D383,789 S	9/1997	Shyu
1,997,894 A	4/1935	Woodley	5,695,219 A	12/1997	Crawford
2,008,019 A *	7/1935	Horlick, Jr. 24/67.11	D396,885 S *	8/1998	Shyu D19/65
D97,328 S	10/1935	Glasser	5,996,130 A	12/1999	Verhines
2,118,043 A	5/1938	Goza	6,315,206 B1 *	11/2001	Hansen et al. 235/487
2,156,743 A	5/1939	Skrebba	D465,525 S	11/2002	Dilday
2,323,552 A	7/1943	Marion	D480,754 S	10/2003	Berger
D136,639 S	11/1943	Hoffman	D520,065 S	5/2006	Doyle
2,362,445 A	11/1944	Blodgett	D540,869 S *	4/2007	Lau et al. D19/65
2,415,248 A	2/1947	Kenna et al.	D541,346 S *	4/2007	Lau et al. D19/65
2,420,021 A	5/1947	Straubel	2002/0100797 A1 *	8/2002	Hollingsworth et al. ... 229/92.8
2,623,311 A	12/1952	Condon	2004/0045137 A1 *	3/2004	Hsiao 24/67.9
2,674,972 A	4/1954	Luther	2004/0255433 A1 *	12/2004	Santos 24/67.9
3,057,028 A *	10/1962	Lorber 24/67.9	2005/0217078 A1 *	10/2005	Groch et al. 24/67.3
3,073,046 A	1/1963	Condon	2006/0000133 A1	1/2006	Windorski
3,123,924 A	3/1964	Roberts	2006/0107496 A1 *	5/2006	Cheng 24/67.9
3,225,469 A	12/1965	Chase			
3,290,810 A	12/1966	Morena			
3,360,877 A	1/1968	Estep			
			FOREIGN PATENT DOCUMENTS		
			JP	2001-353992 A	12/2001
			* cited by examiner		

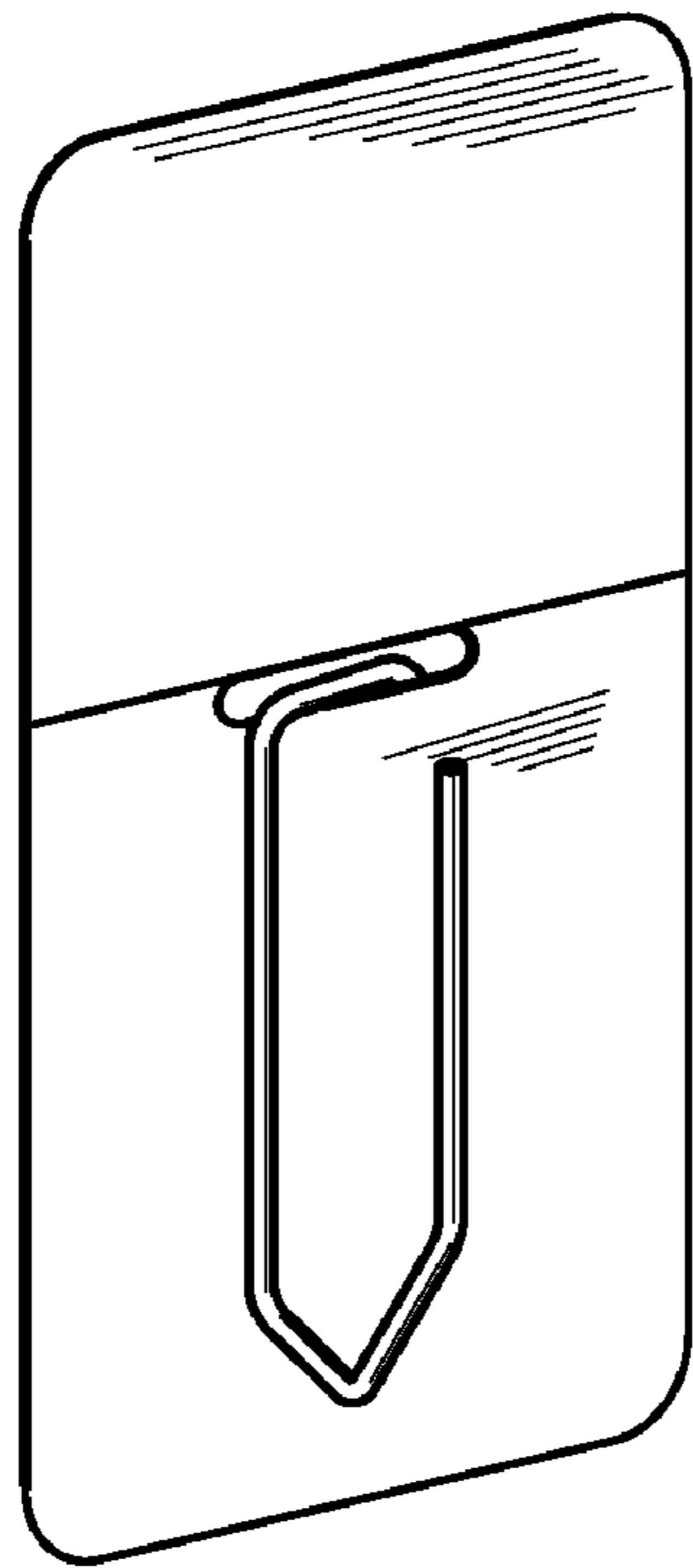


FIG. 1



FIG. 5



FIG. 6

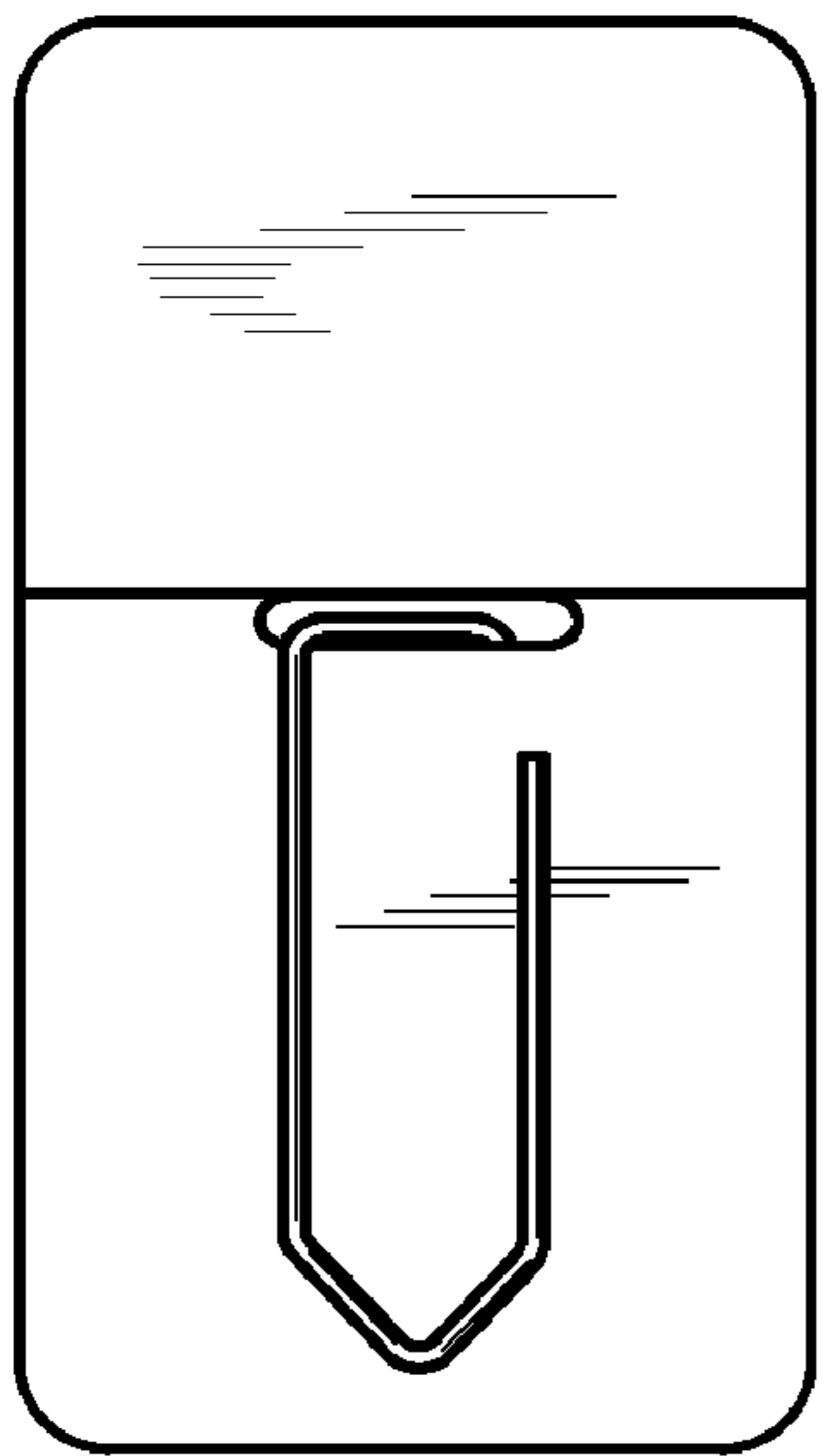


FIG. 2



FIG. 3

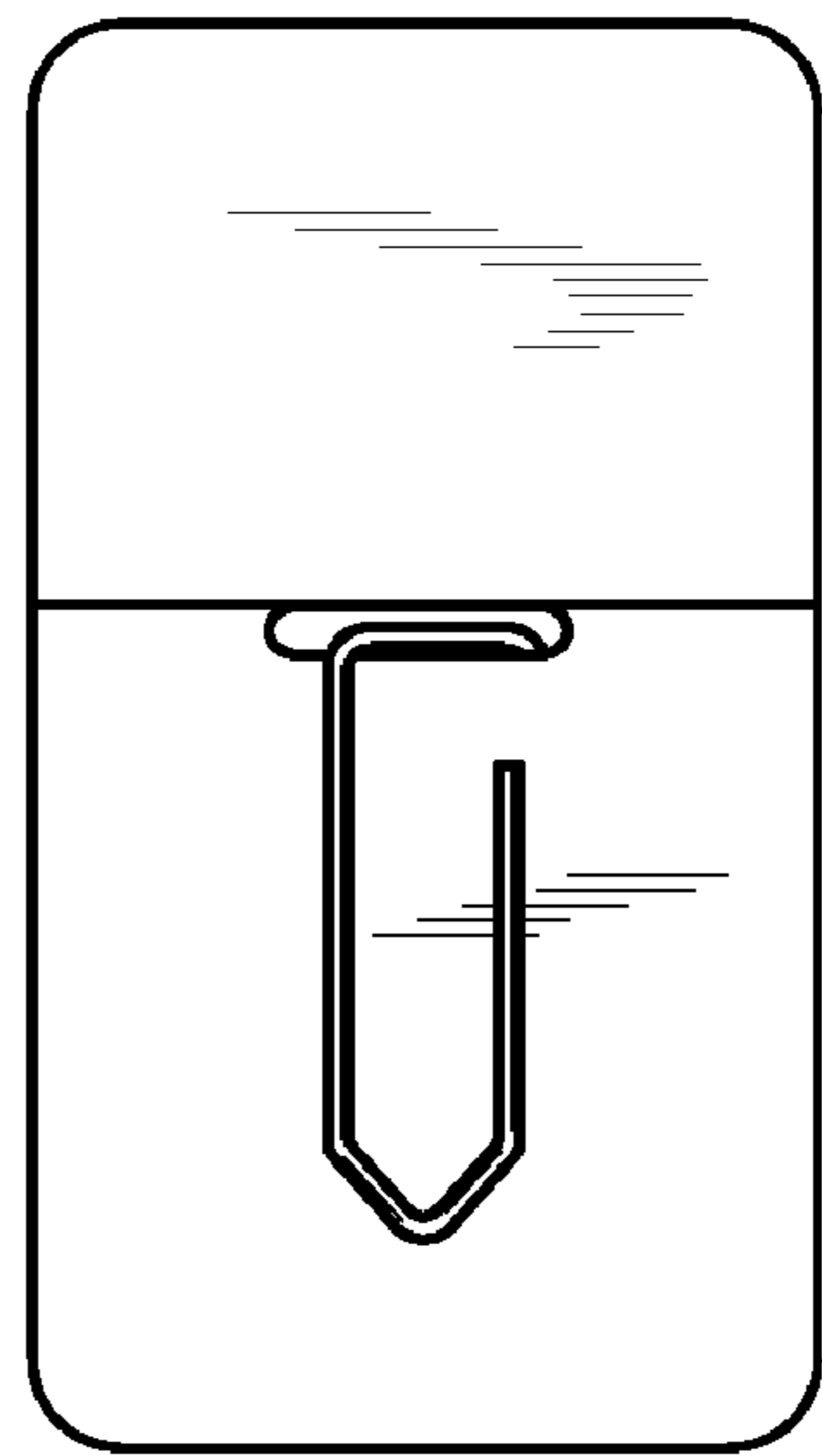


FIG. 4

FIG. 7

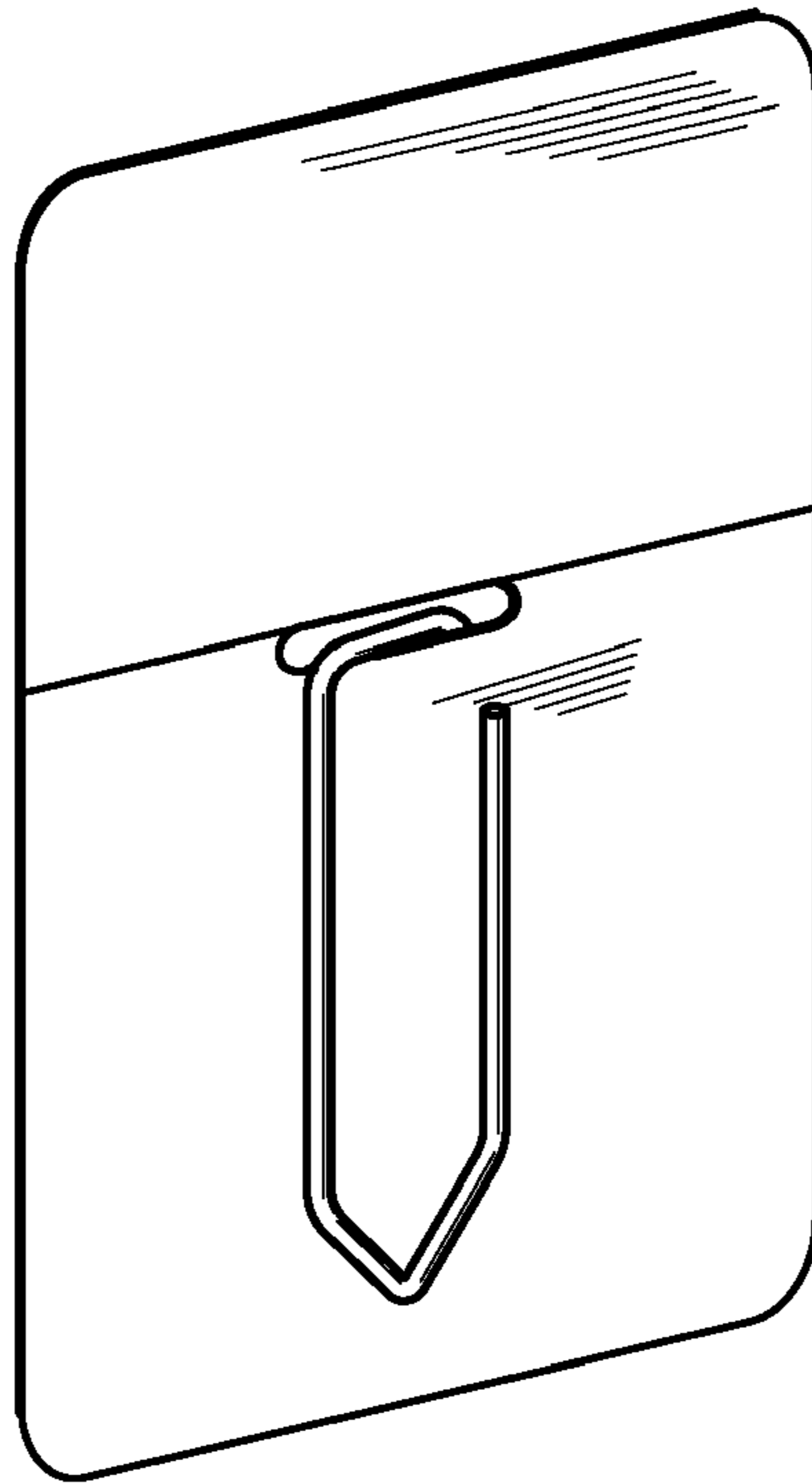


FIG. 11



FIG. 12

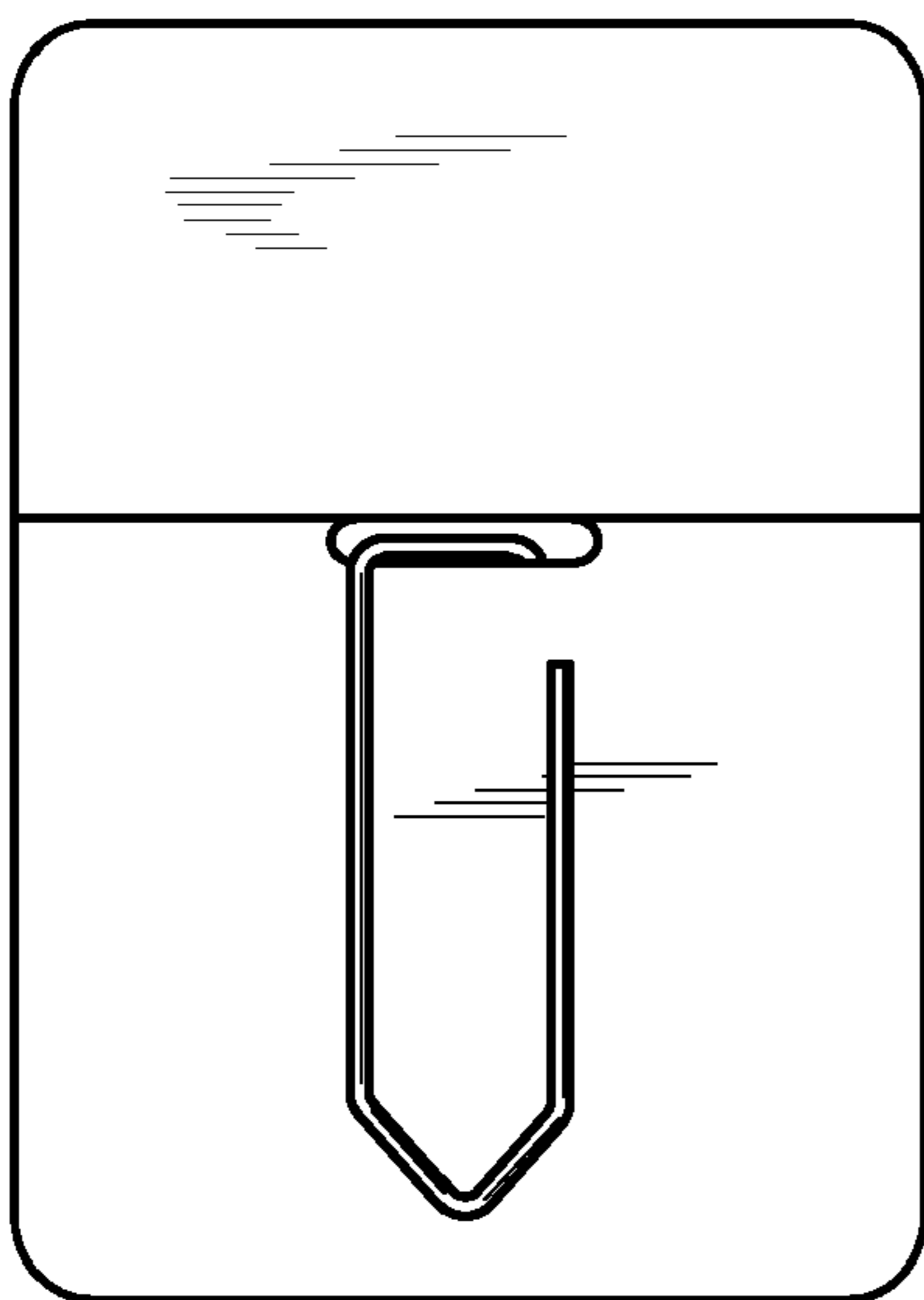


FIG. 8



FIG. 9

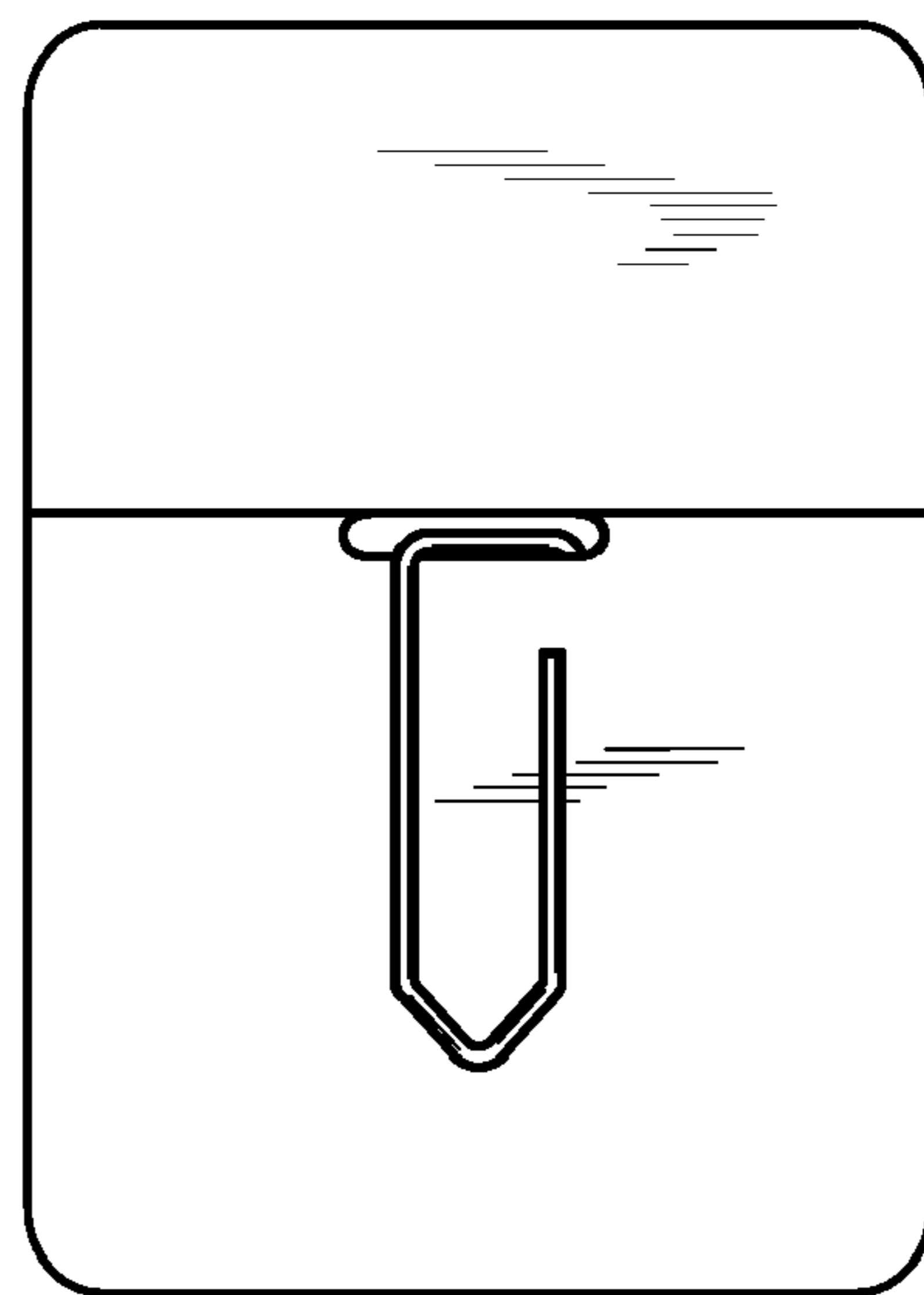


FIG. 10

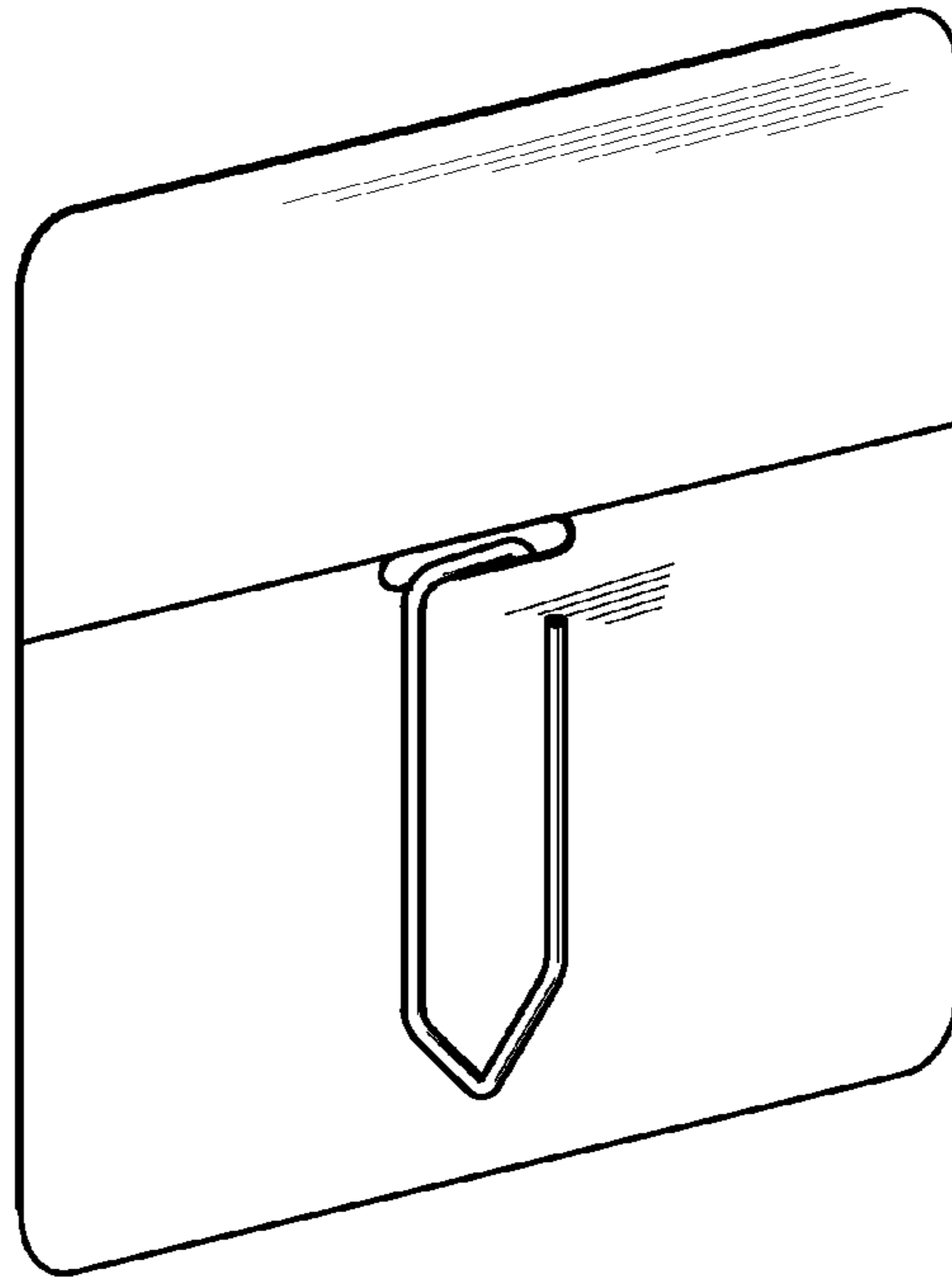


FIG. 13



FIG. 17



FIG. 18

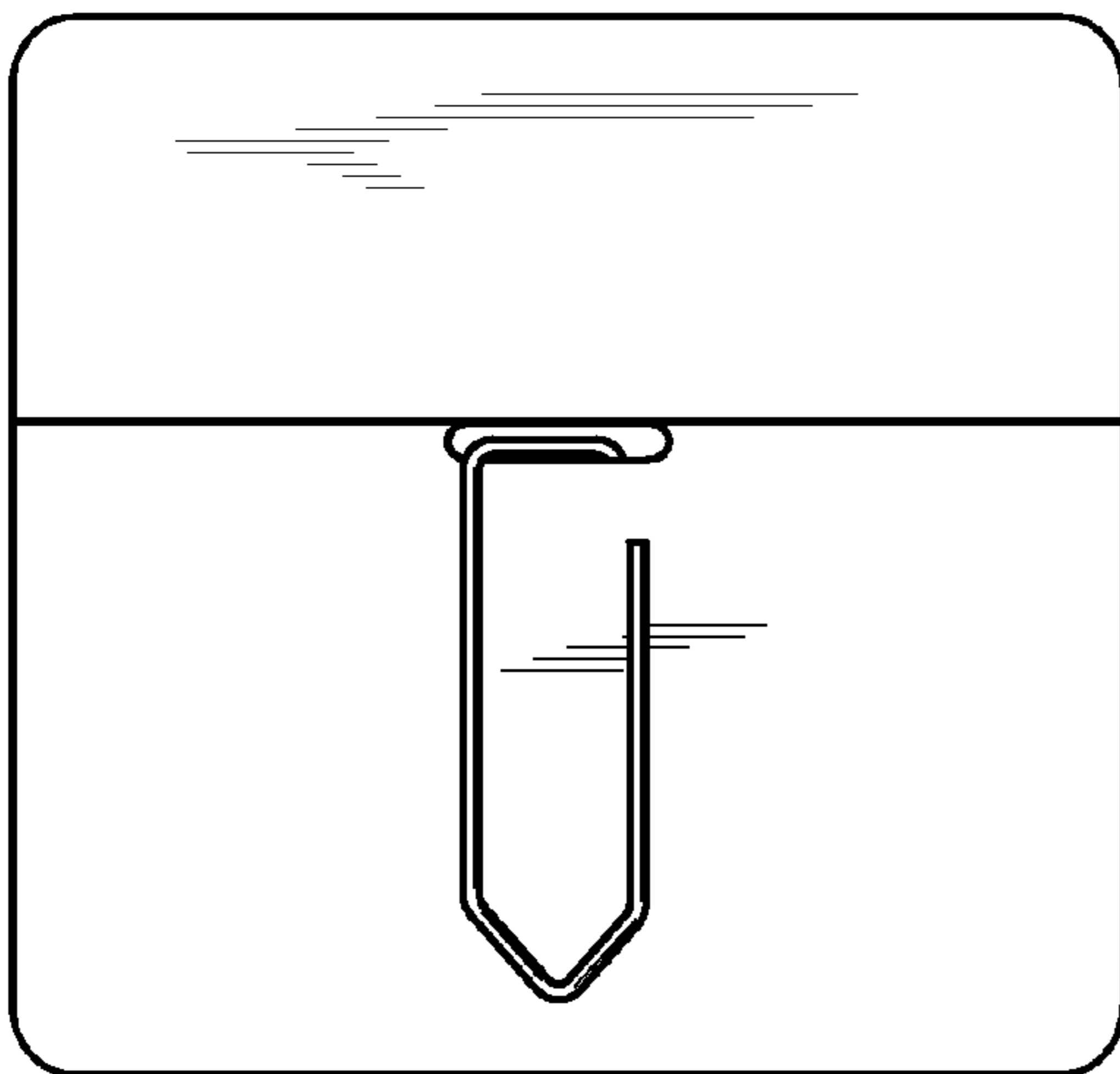


FIG. 14



FIG. 15

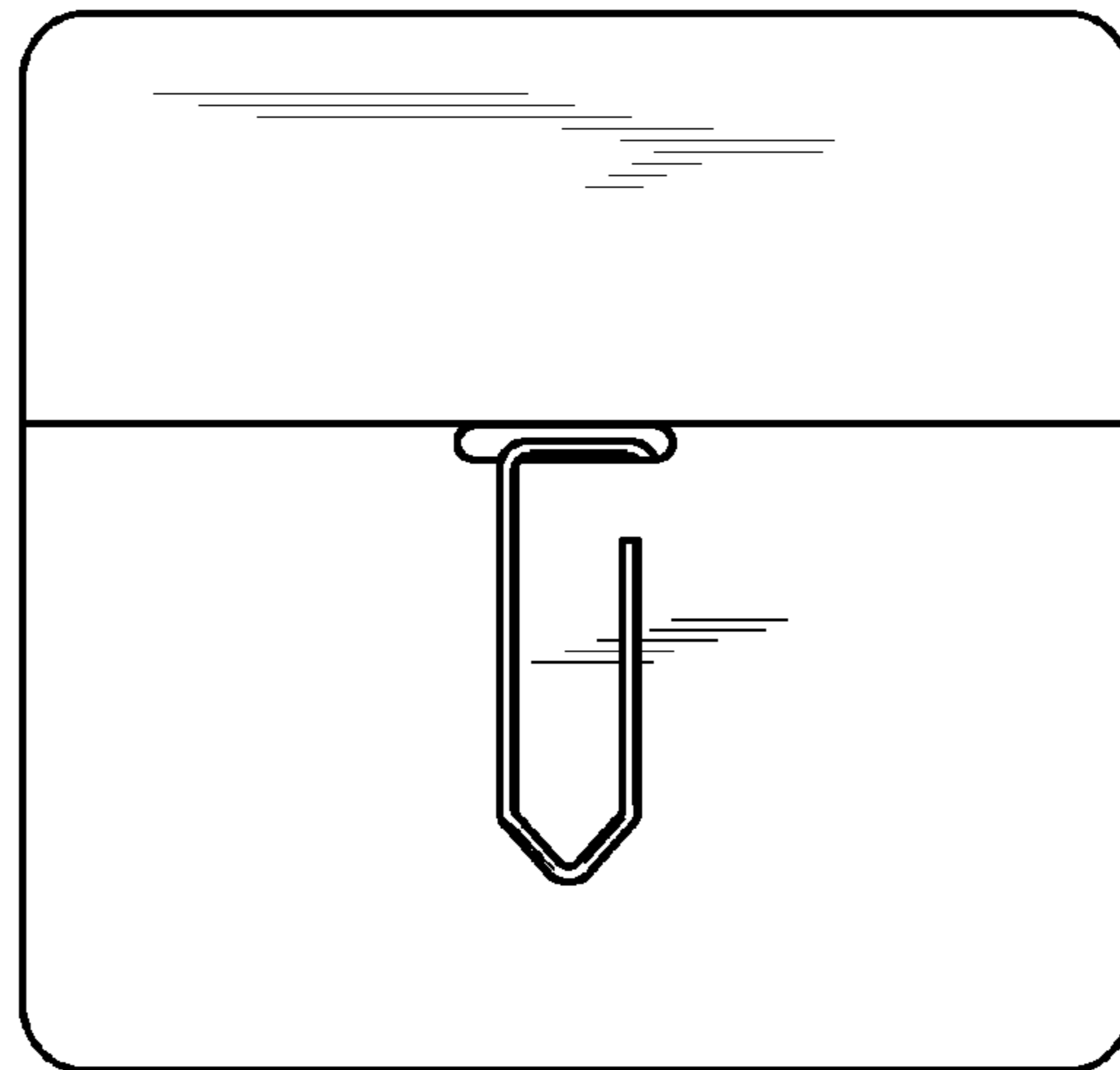


FIG. 16

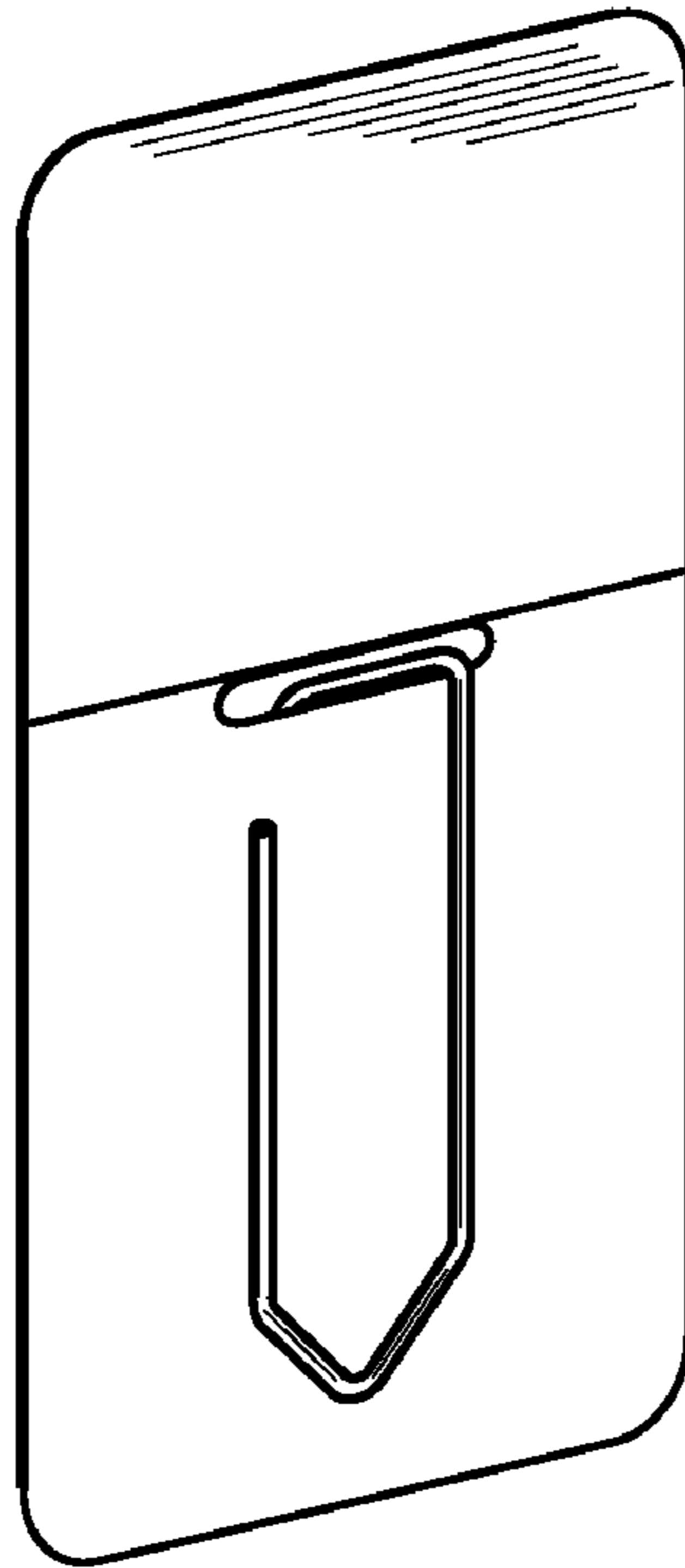


FIG. 19



FIG. 23

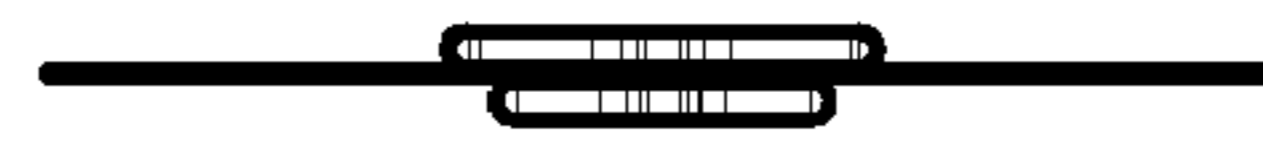


FIG. 24

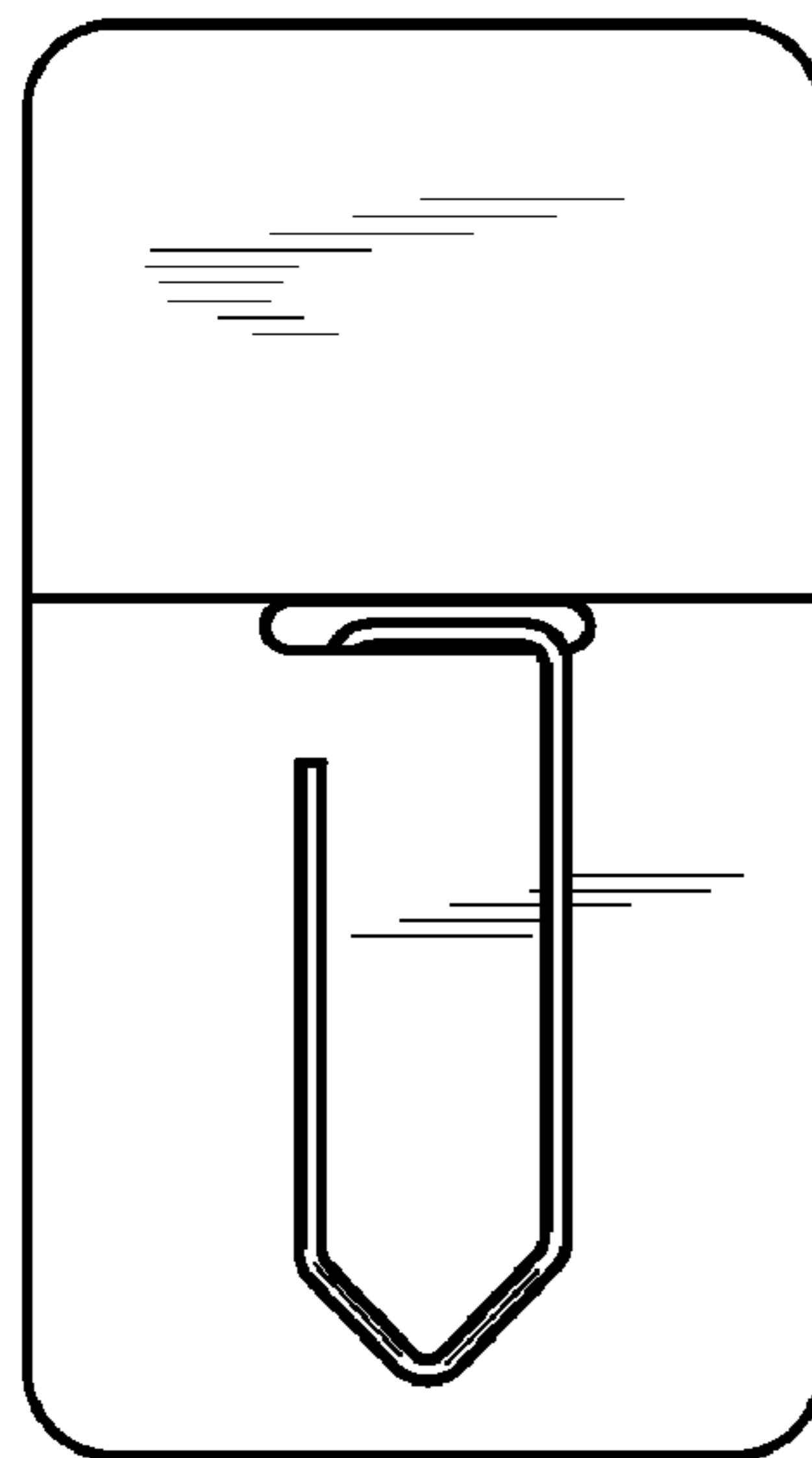


FIG. 20



FIG. 21

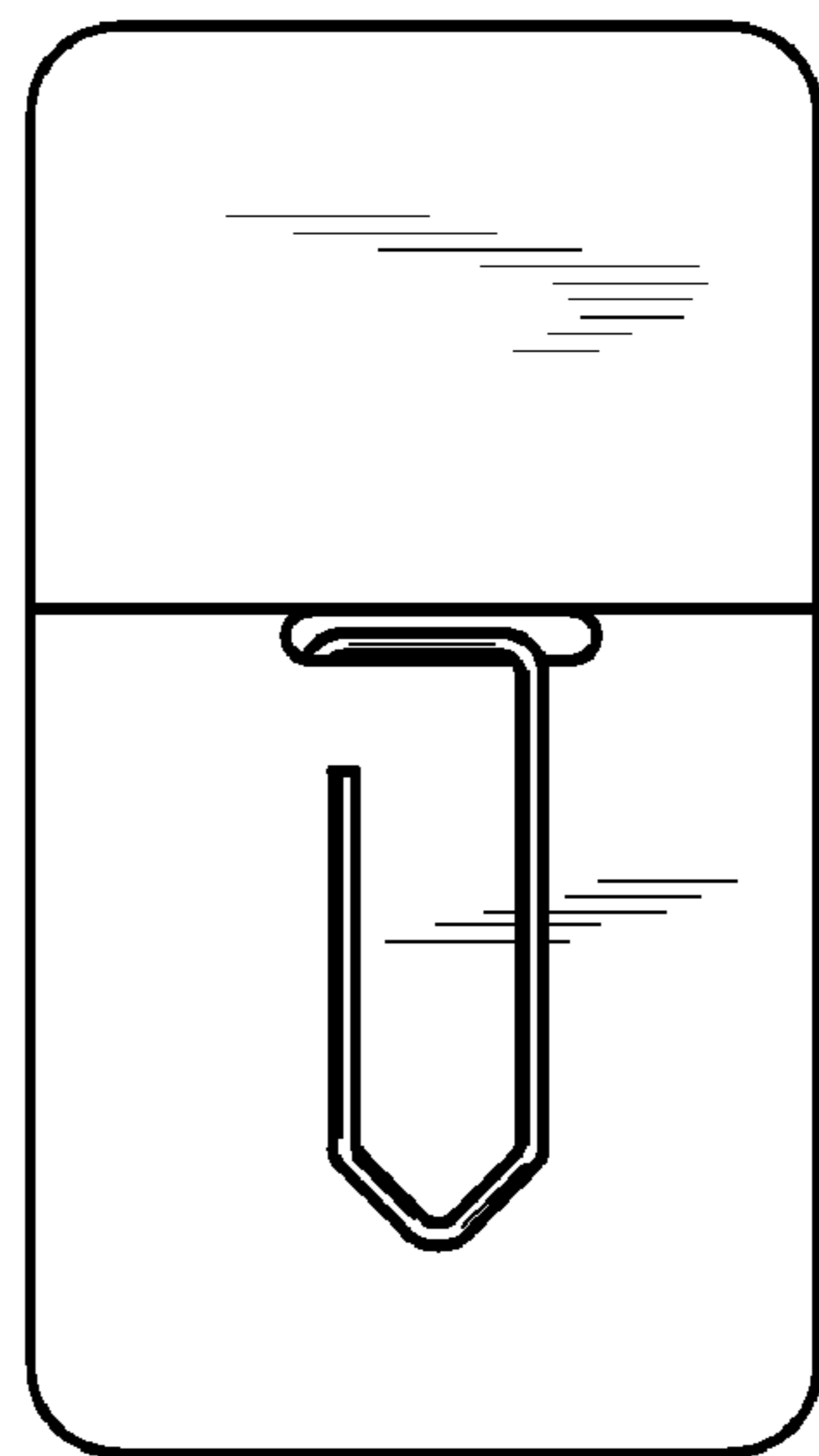


FIG. 22

FIG. 25

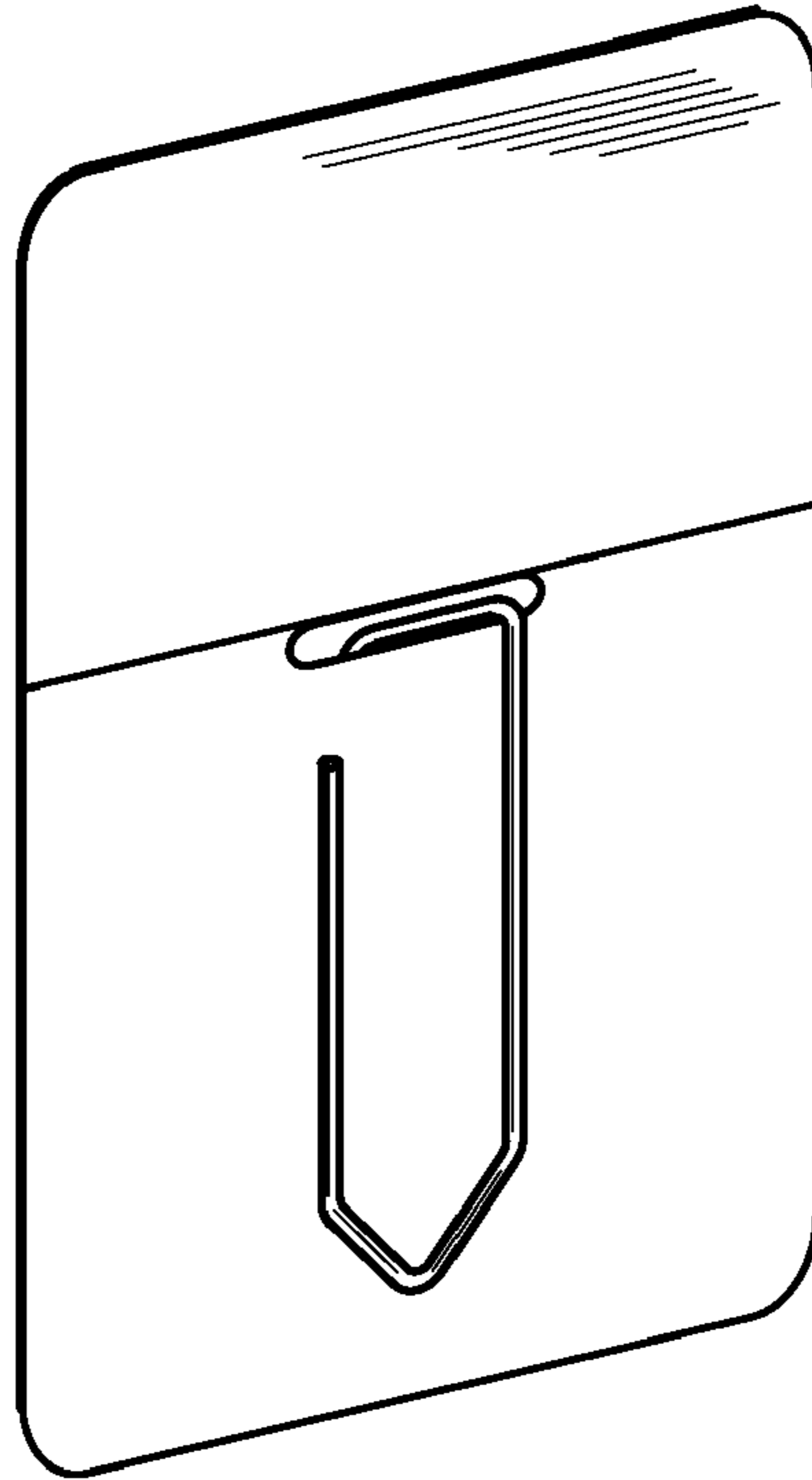


FIG. 29



FIG. 30

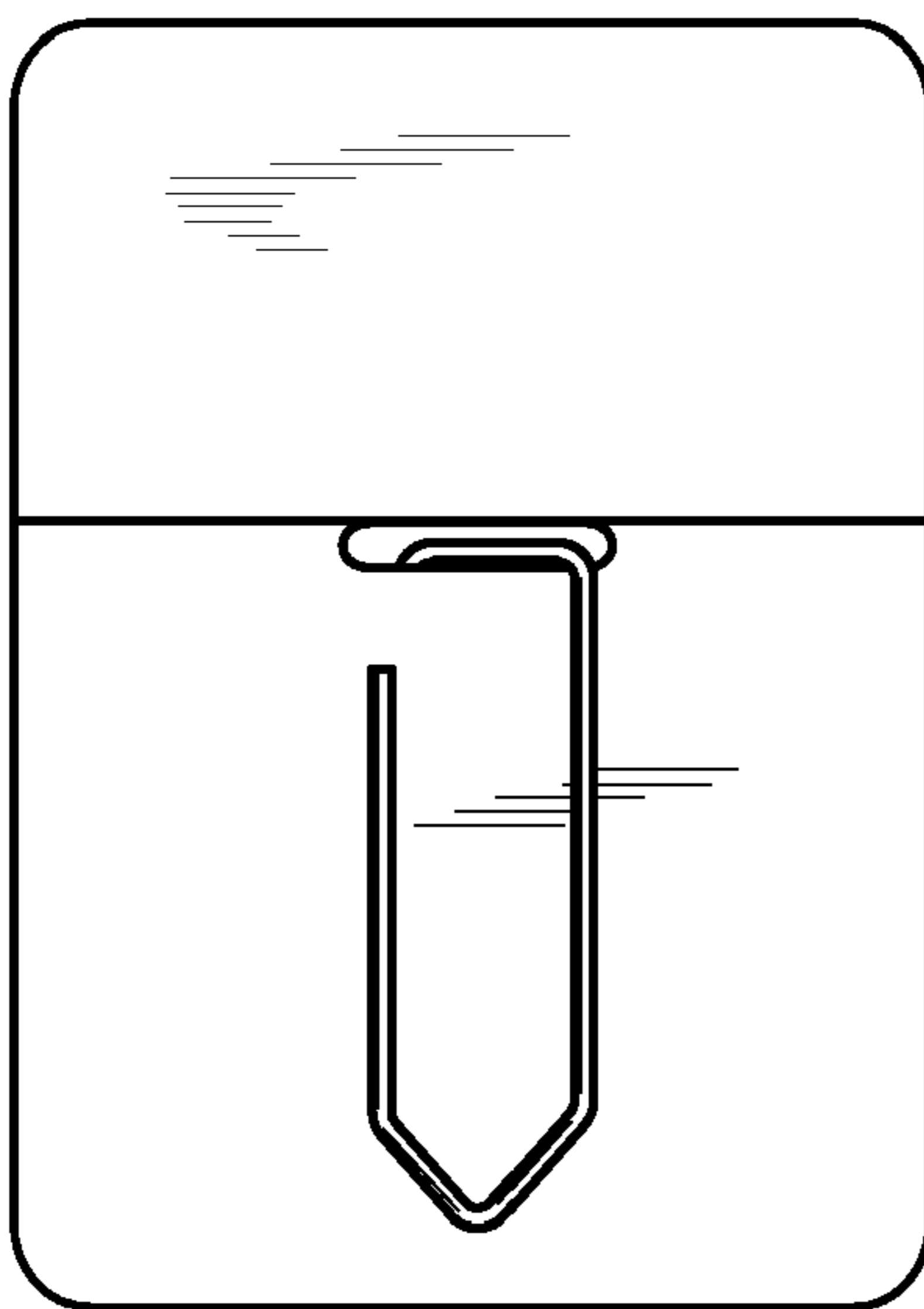


FIG. 26



FIG. 27

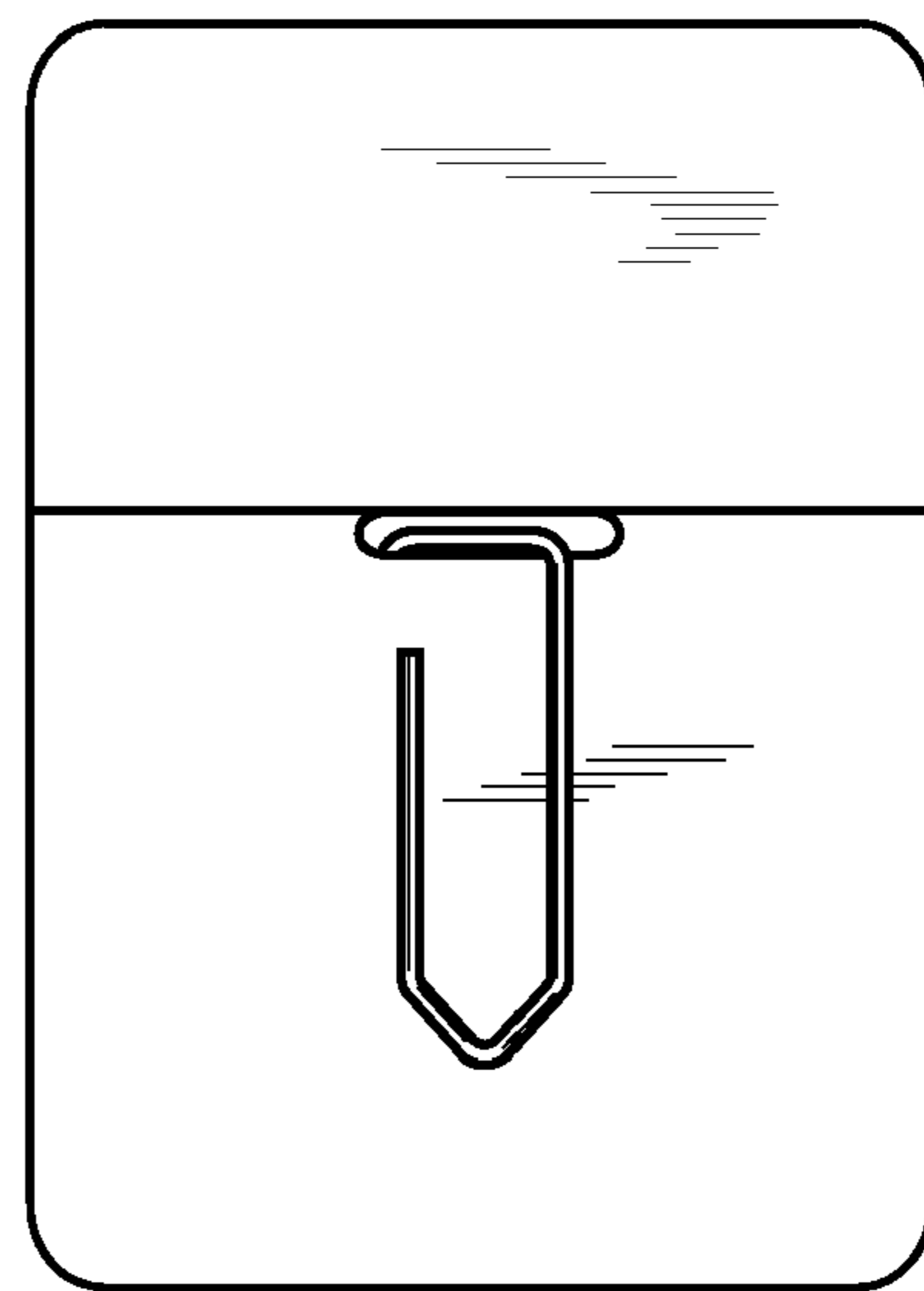


FIG. 28

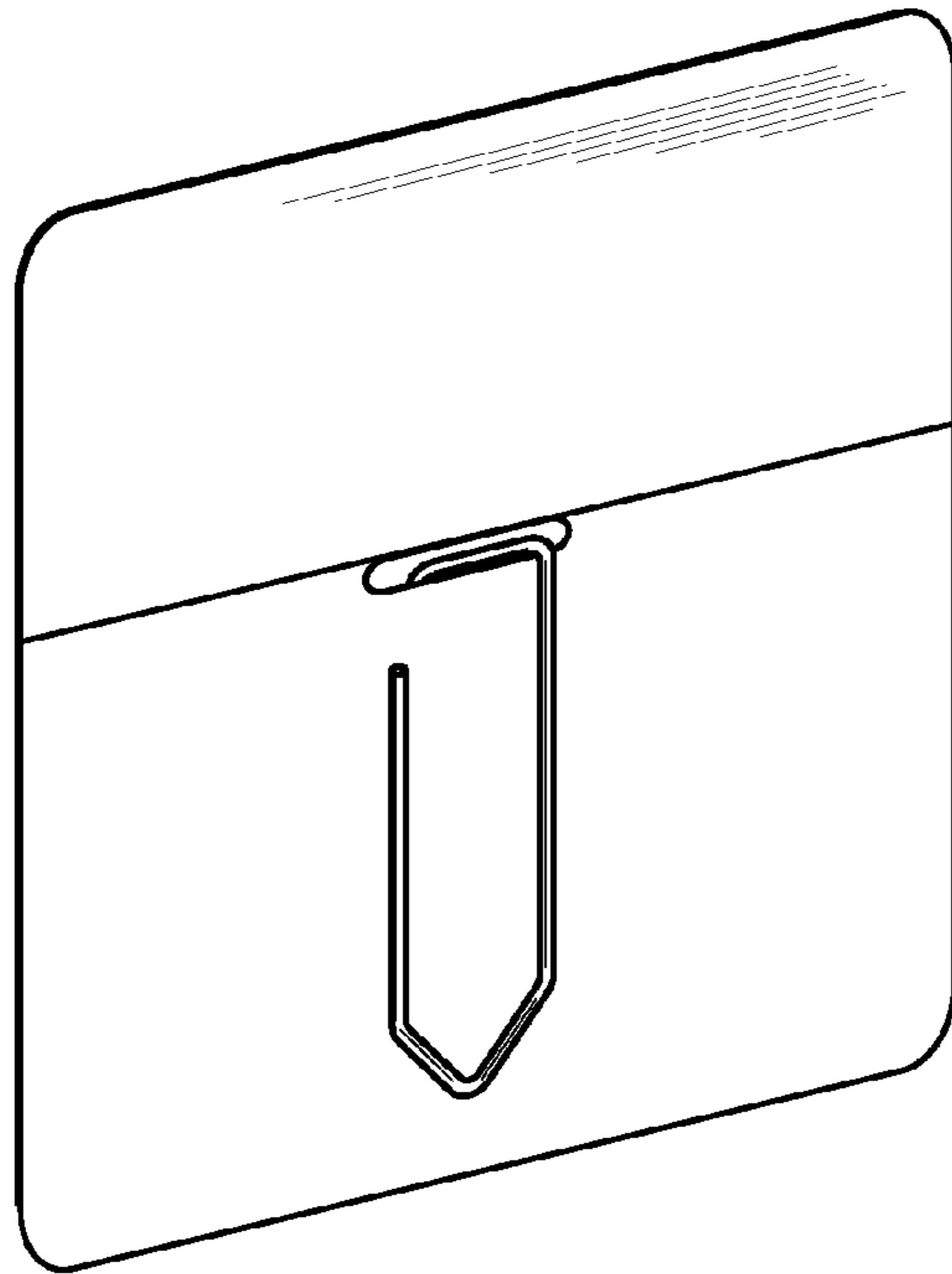


FIG. 31



FIG. 35



FIG. 36

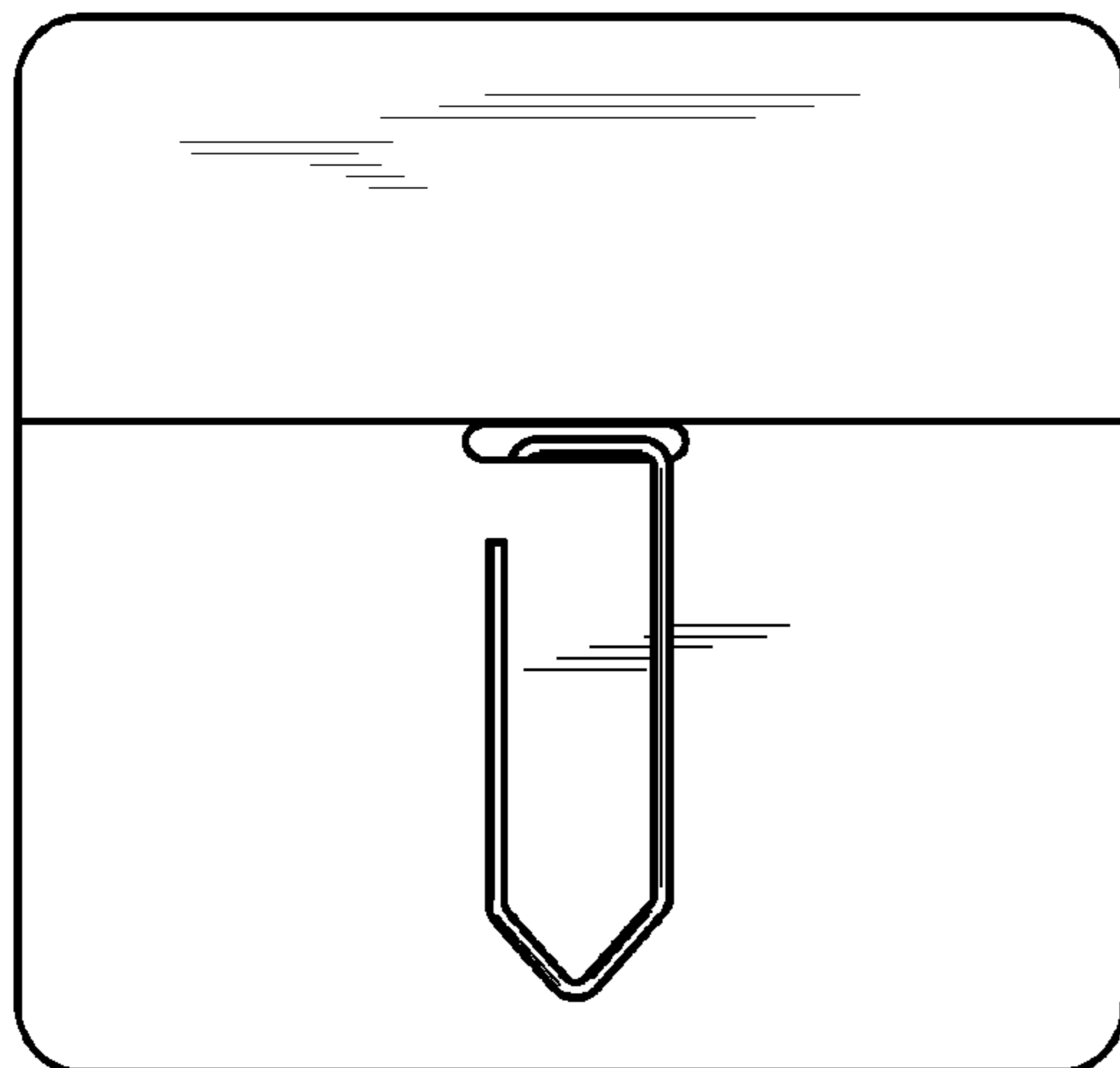


FIG. 32



FIG. 33

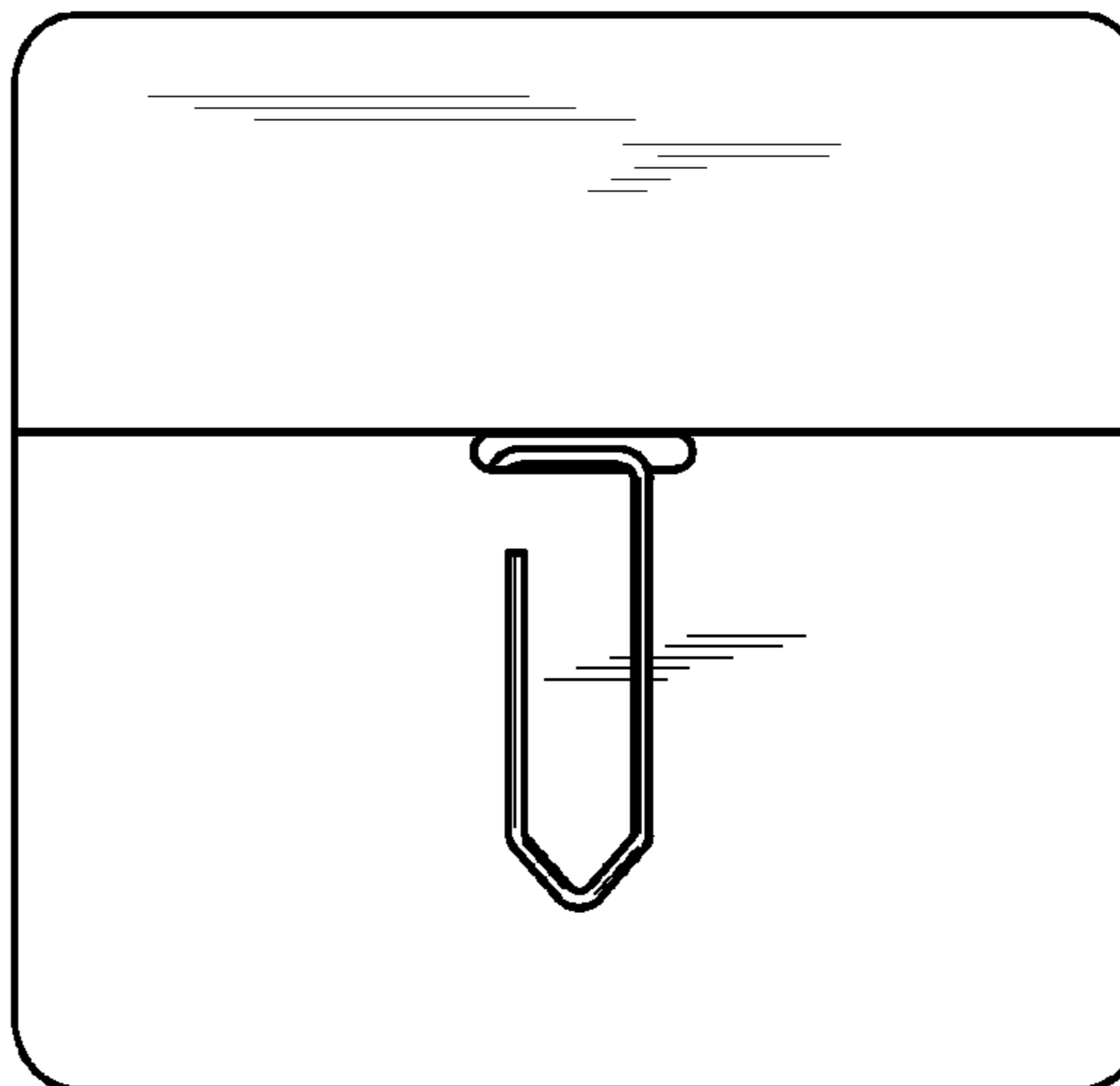


FIG. 34