



US00D565102S

(12) **United States Design Patent**
Anand

(10) **Patent No.:** **US D565,102 S**
(45) **Date of Patent:** **** Mar. 25, 2008**

(54) **PEN**
(75) **Inventor:** **Devendra S. Anand**, Mumbai (IN)
(73) **Assignee:** **Anand International (IN)**
(**) **Term:** **14 Years**

EM 000461546-0001 * 3/2006
EM 000471677-0001 * 3/2006
GB 3010665 * 2/2003

(21) **Appl. No.:** **29/256,988**
(22) **Filed:** **Mar. 28, 2006**

OTHER PUBLICATIONS

The "Apex" pen, as shown on www.anandpen.com, viewed May 30, 2007 (2 pages).*

* cited by examiner

(51) **LOC (8) Cl.** **19-06**
(52) **U.S. Cl.** **D19/50**
(58) **Field of Classification Search** D19/35-36,
D19/41-51, 54-57; 24/11 R, 11 F, 11 P;
401/52, 99, 100, 104-109, 192, 195
See application file for complete search history.

Primary Examiner—Elizabeth A. Albert
Assistant Examiner—Karen E Eldridge Powers
(74) *Attorney, Agent, or Firm*—St. Onge Steward Johnston
& Reens LLC

(56) **References Cited**

(57) **CLAIM**

The ornamental design for pen, as shown and described.

U.S. PATENT DOCUMENTS

6,746,168 B2 * 6/2004 DeLuca et al. 401/117
D494,218 S 8/2004 Anand D19/51
D495,001 S 8/2004 Anand D19/51
D496,401 S 9/2004 Anand D19/51
D496,963 S * 10/2004 Losel D19/49
D506,504 S * 6/2005 Nakazawa et al. D19/49
D508,717 S 8/2005 Anand D19/50
D509,852 S 9/2005 Anand D19/50
D509,853 S 9/2005 Anand D19/51
D512,457 S 12/2005 Anand D19/48
D512,459 S 12/2005 Anand D19/51
D537,878 S * 3/2007 Anand D19/47
D538,341 S * 3/2007 Oas D19/44

DESCRIPTION

FIG. 1 is an isometric view of a pen in accordance with the new design;

FIG. 2 is a front view thereof;

FIG. 3 is a left view thereof;

FIG. 4 is a right view thereof;

FIG. 5 is a rear view thereof;

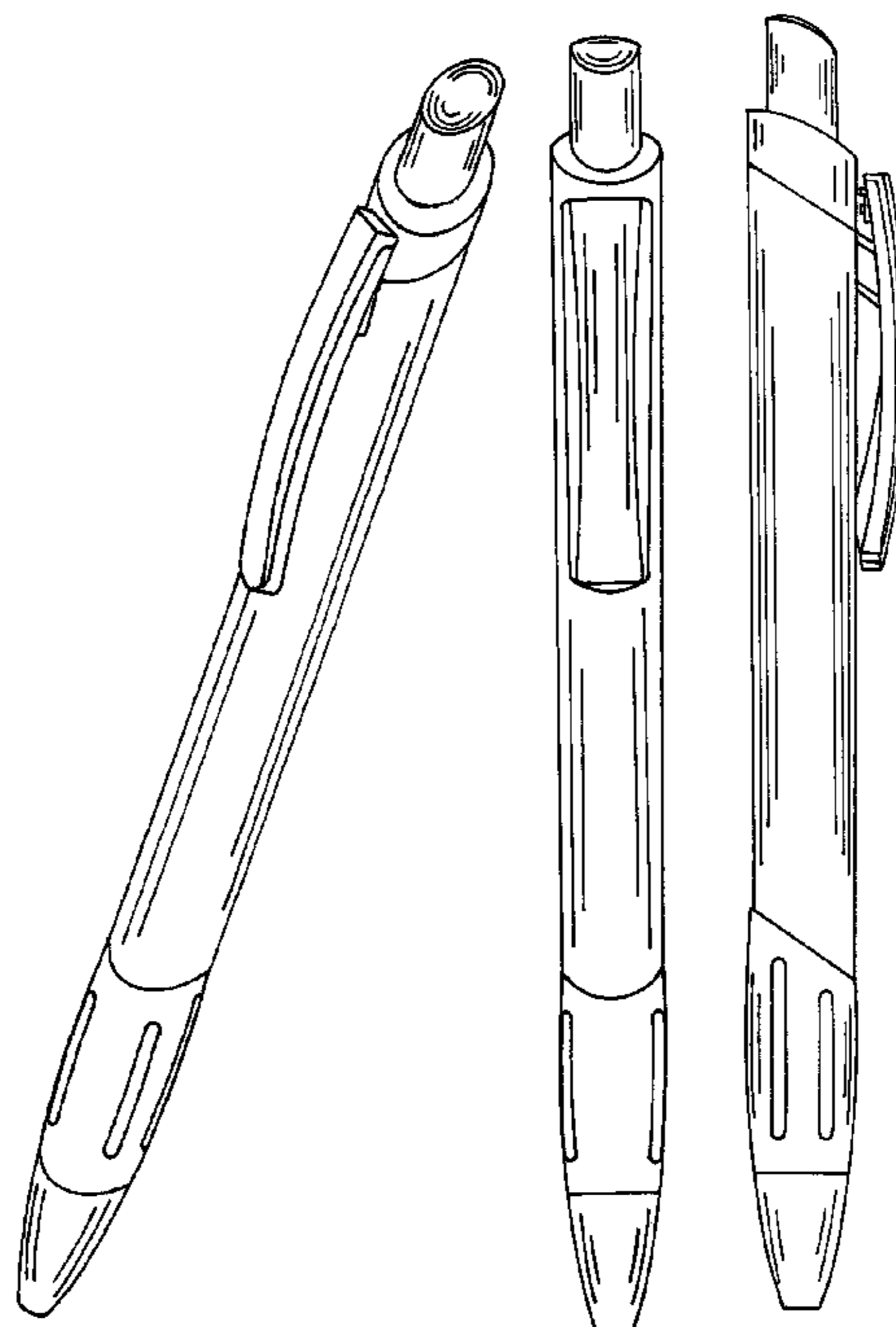
FIG. 6 is a top view thereof; and,

FIG. 7 is a bottom view thereof.

FOREIGN PATENT DOCUMENTS

EM 000153770-0001 * 6/2004

1 Claim, 6 Drawing Sheets



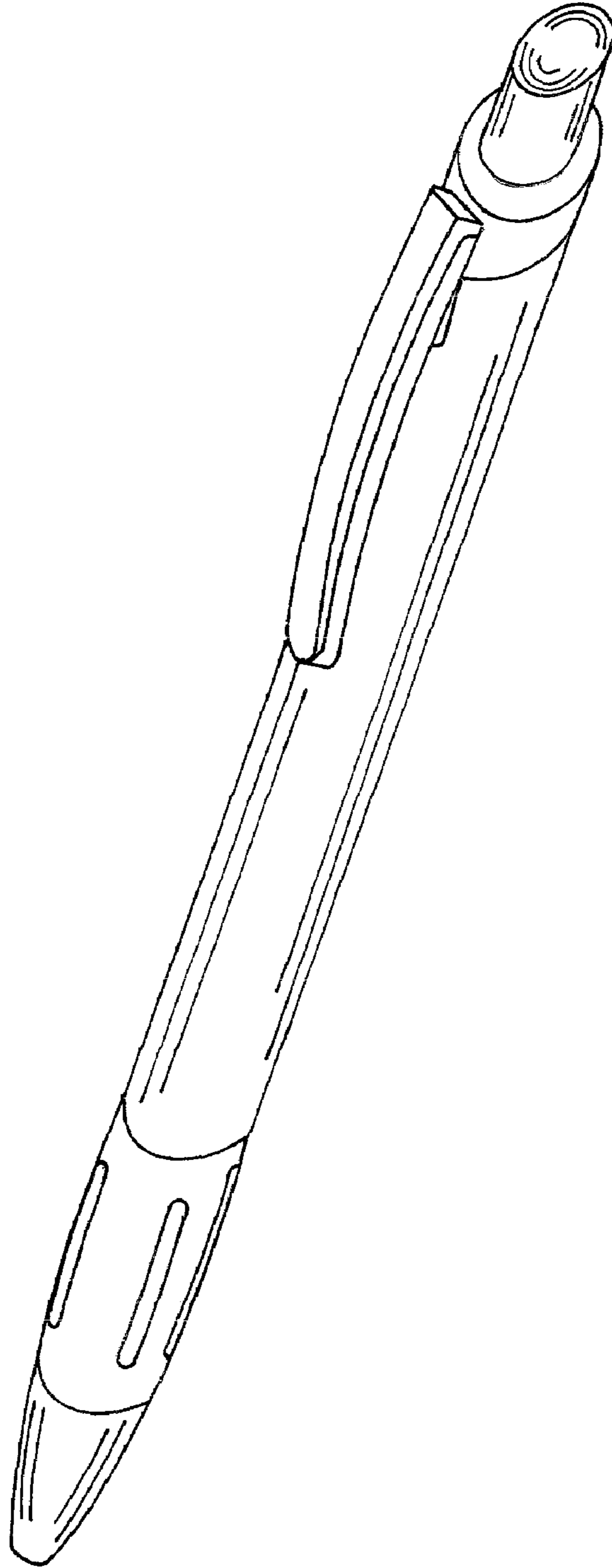


FIG. 1

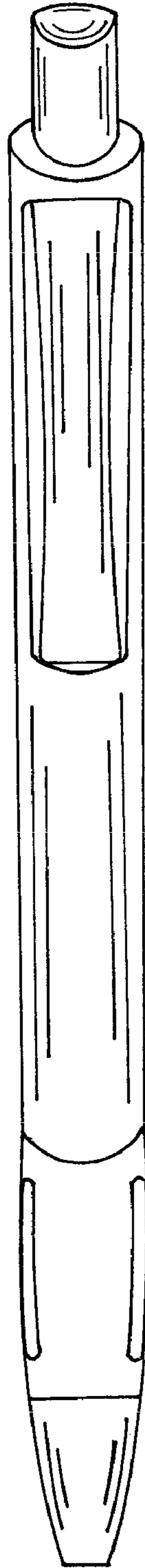


FIG. 2

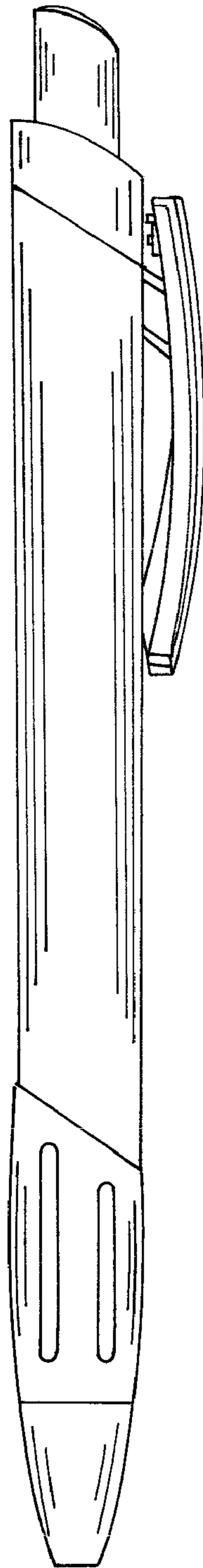


FIG. 3

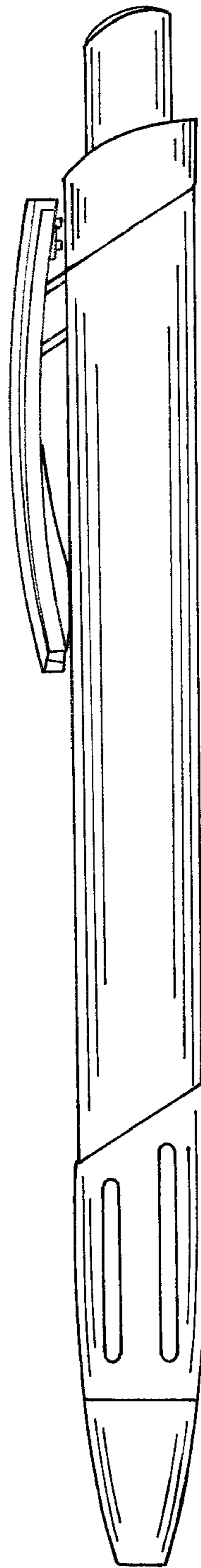


FIG. 4

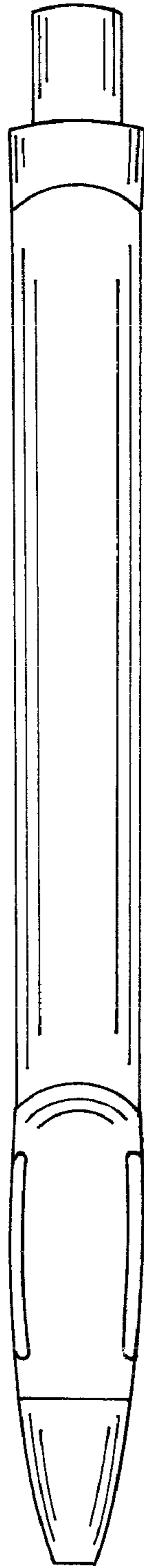


FIG. 5

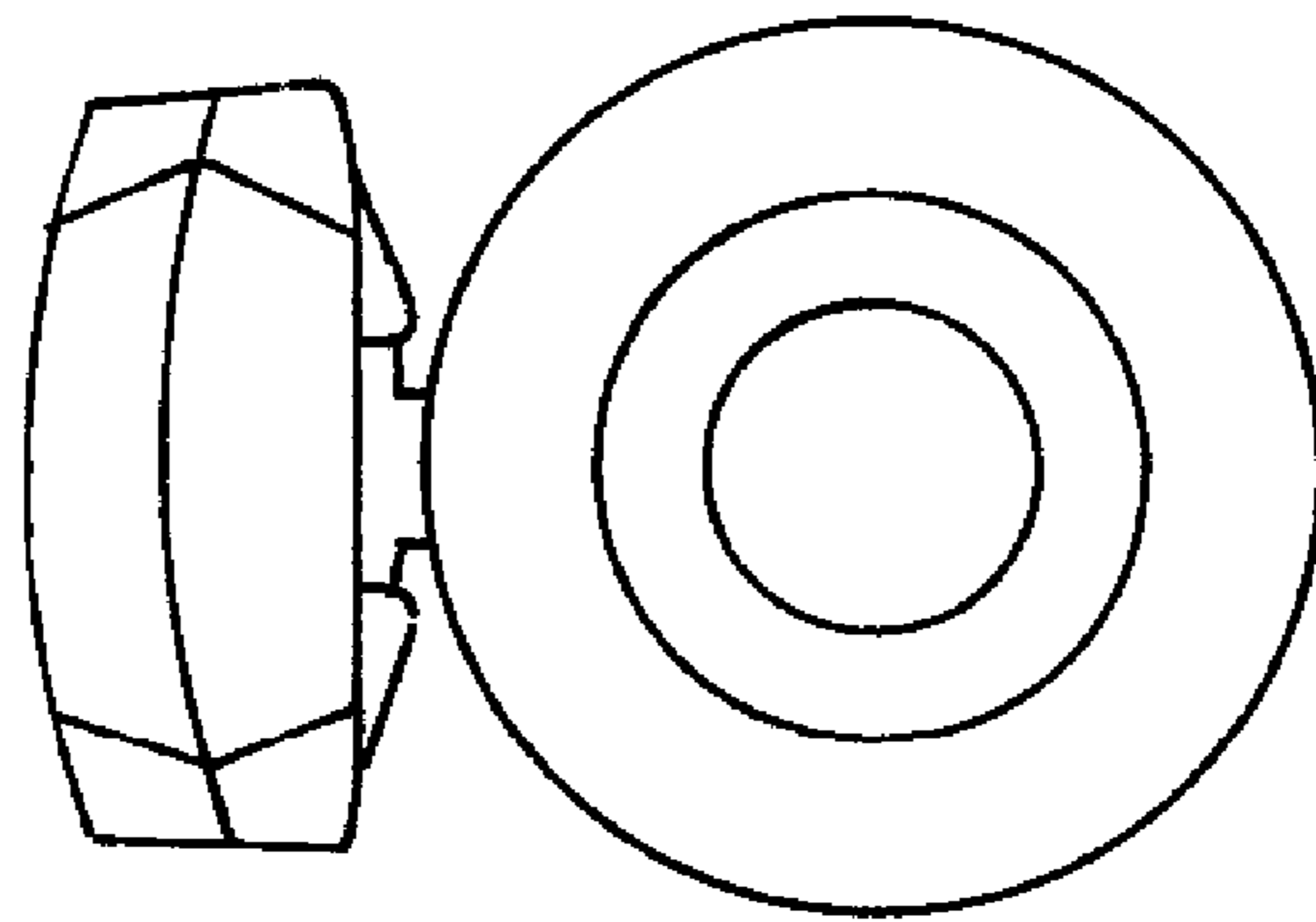


FIG. 6

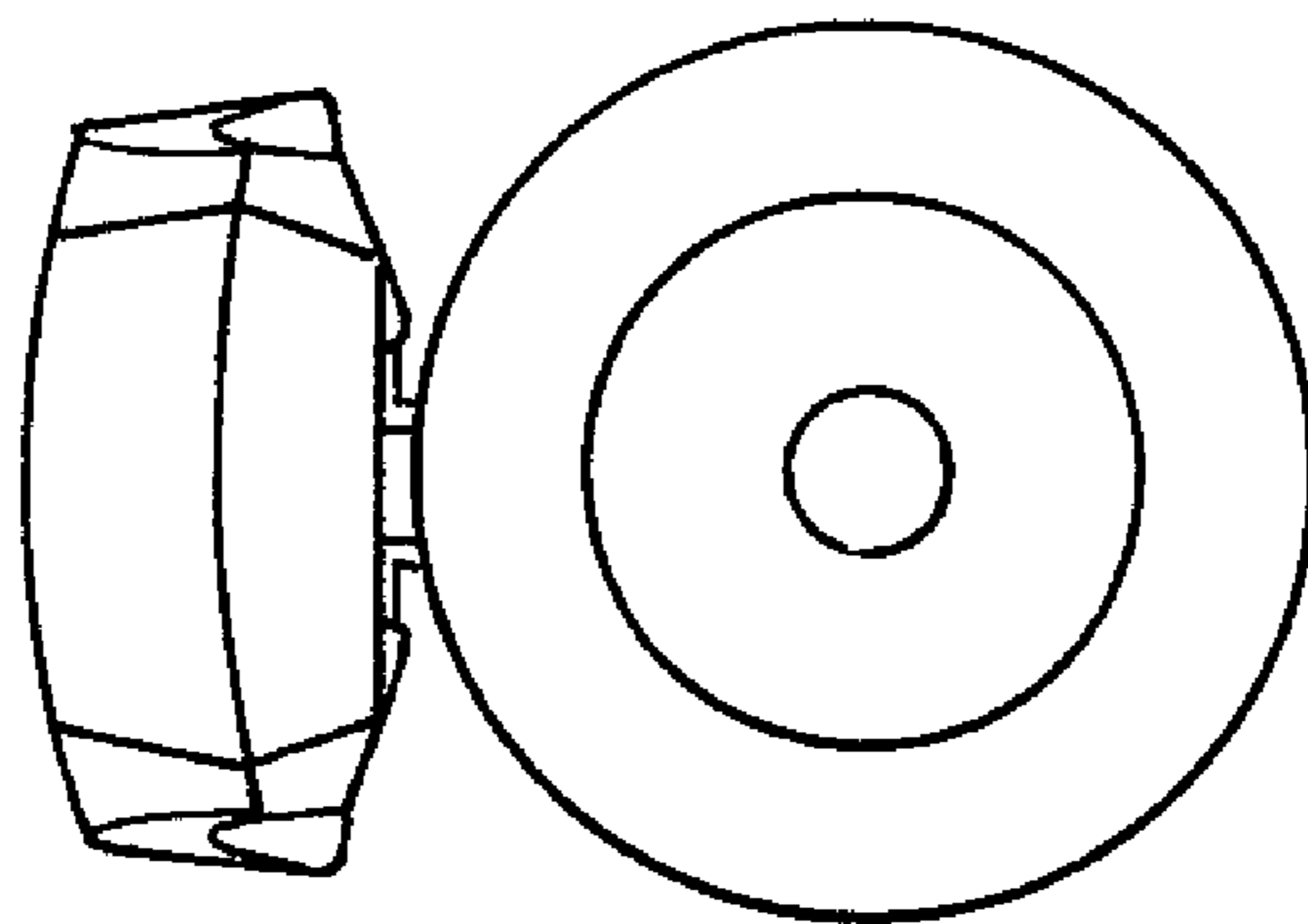


FIG. 7