



US00D565099S

(12) **United States Design Patent**  
**Petrie et al.**

(10) **Patent No.:** **US D565,099 S**  
(45) **Date of Patent:** **\*\* Mar. 25, 2008**

(54) **SPINE LABEL**

(75) Inventors: **Aidan Petrie**, Jamestown, RI (US);  
**Marco Wo**, Providence, RI (US);  
**Daniel Nelsen**, Providence, RI (US)

(73) Assignee: **Staples The Office Superstore LLC**,  
Framingham, MA (US)

(\*\*) Term: **14 Years**

(21) Appl. No.: **29/267,406**

(22) Filed: **Oct. 13, 2006**

(51) **LOC (8) Cl.** ..... **19-04**

(52) **U.S. Cl.** ..... **D19/32**

(58) **Field of Classification Search** ..... D19/26-33,  
D19/86; 206/232, 450, 472; 281/15.1, 39,  
281/44-45, 19.1, 21.1, 22, 29, 31, 38; 283/63.1,  
283/64; 402/4, 31, 73

See application file for complete search history.

(56) **References Cited**

**U.S. PATENT DOCUMENTS**

D354,768 S \* 1/1995 Muller et al. .... D19/27  
6,019,540 A \* 2/2000 Senior ..... 283/81  
6,368,005 B1 \* 4/2002 Streff et al. .... 402/3  
D458,634 S \* 6/2002 Gerriet ..... D19/27

6,644,882 B2 \* 11/2003 Brown et al. .... 402/73  
6,764,242 B1 \* 7/2004 Karten et al. .... 402/73  
D527,764 S \* 9/2006 Hensley ..... D19/32  
2006/0055167 A1 \* 3/2006 Pollman et al. .... 281/21.1

\* cited by examiner

*Primary Examiner*—Elizabeth A. Albert

*Assistant Examiner*—Kelley A. Donnelly

(74) *Attorney, Agent, or Firm*—Wolf Greenfield & Sacks

(57) **CLAIM**

The ornamental design for a spine label, as shown and described above.

**DESCRIPTION**

FIG. 1 is a front view of the spine label;

FIG. 2 is a detailed front view of the spine label of FIG. 1 taken along line 2 shown in FIG. 1;

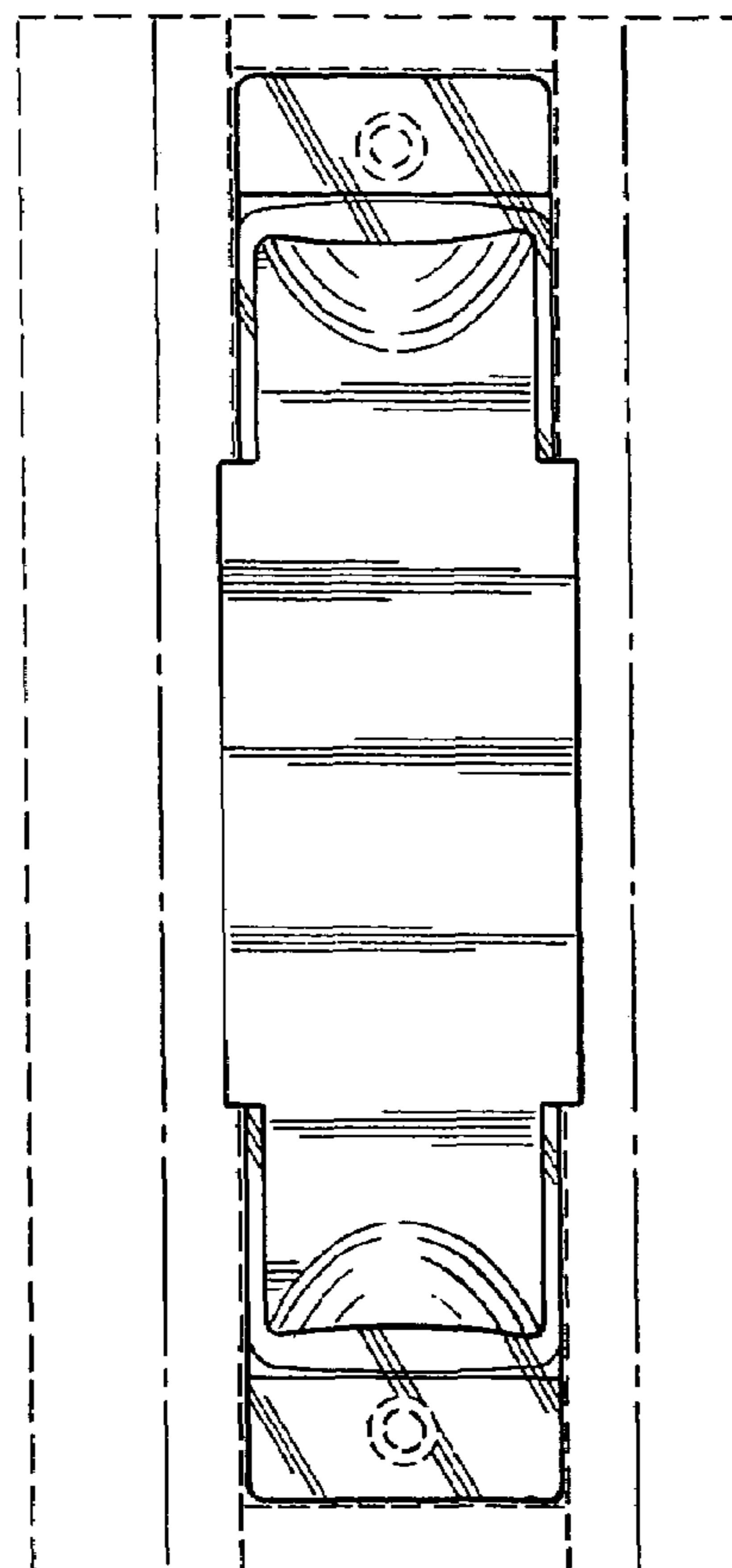
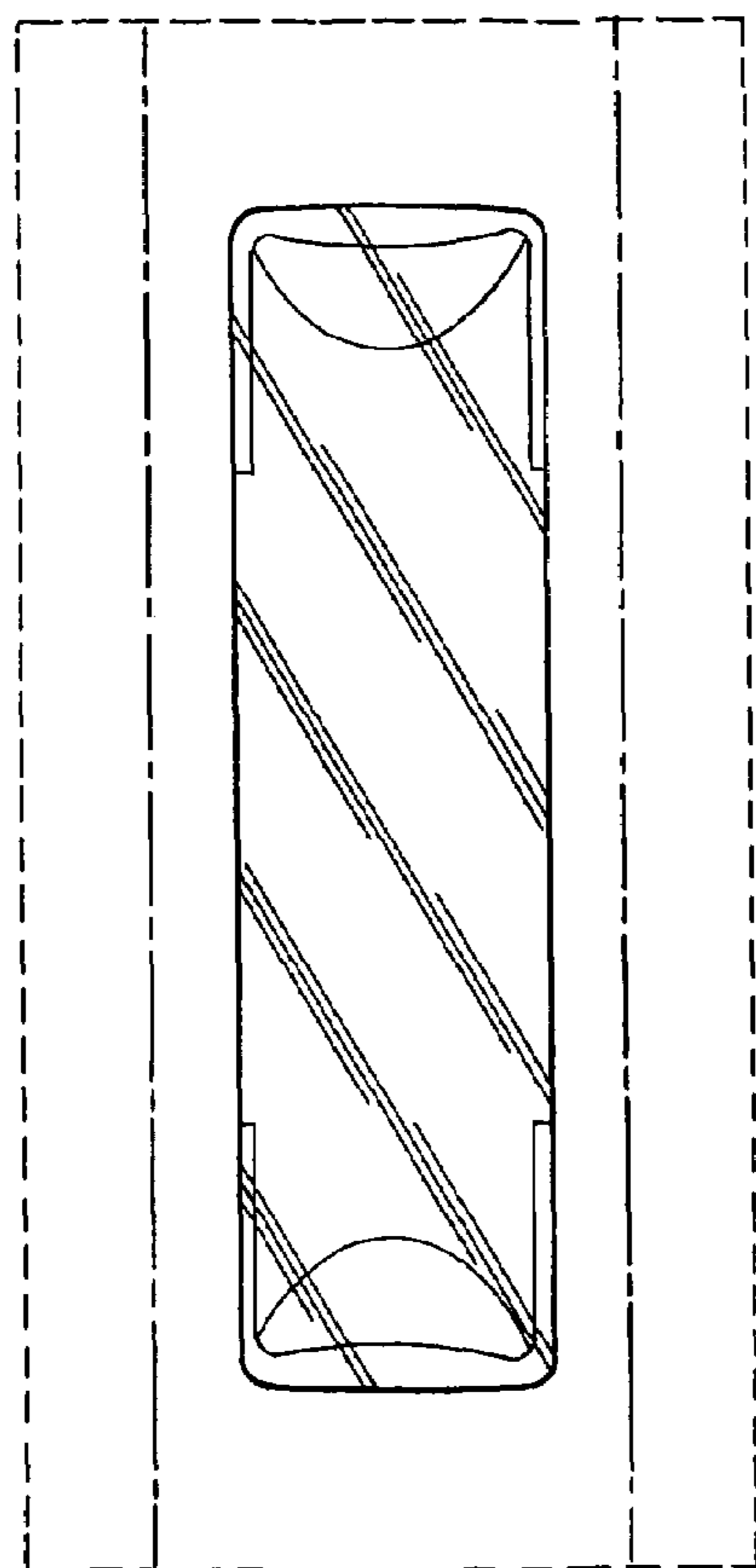
FIG. 3 is a back view of the spine label of FIG. 1.

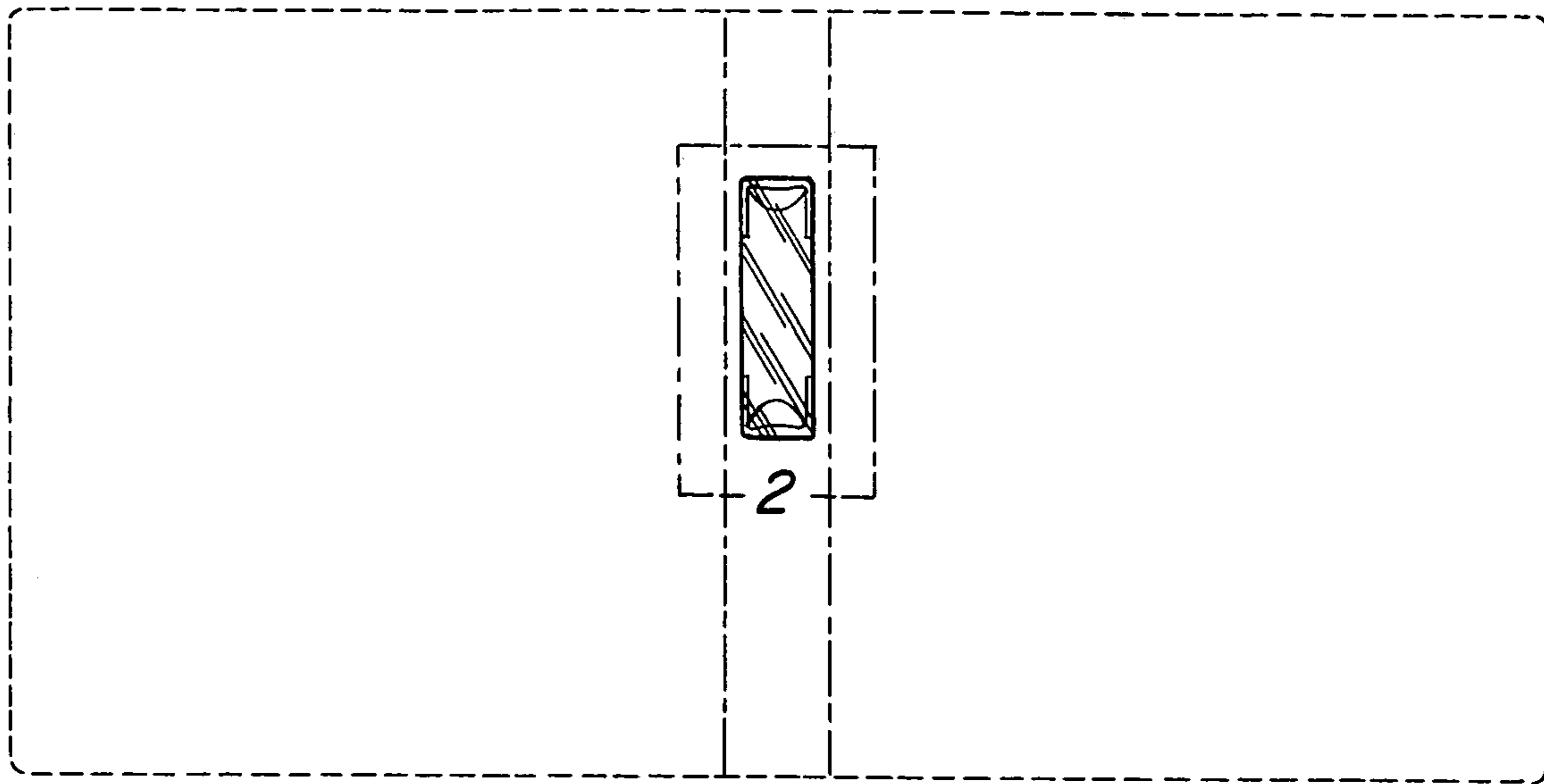
FIG. 4 is a right side view of FIG. 1, the left side view being a mirror image thereof; and,

FIG. 5 is a top view of FIG. 1, the bottom view being a mirror image thereof.

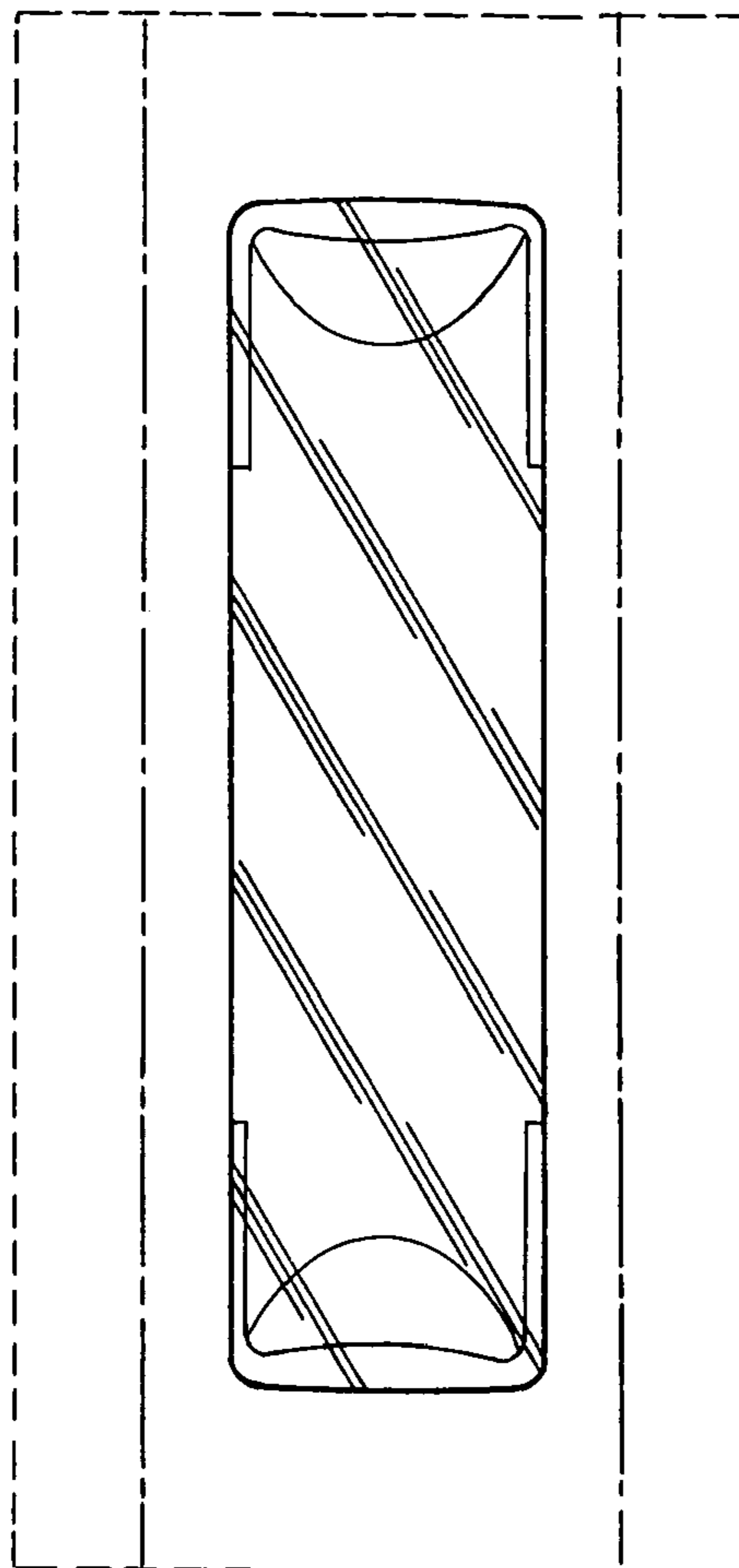
The broken lines are for illustrative purposes only and form no part of the claimed design.

**1 Claim, 2 Drawing Sheets**

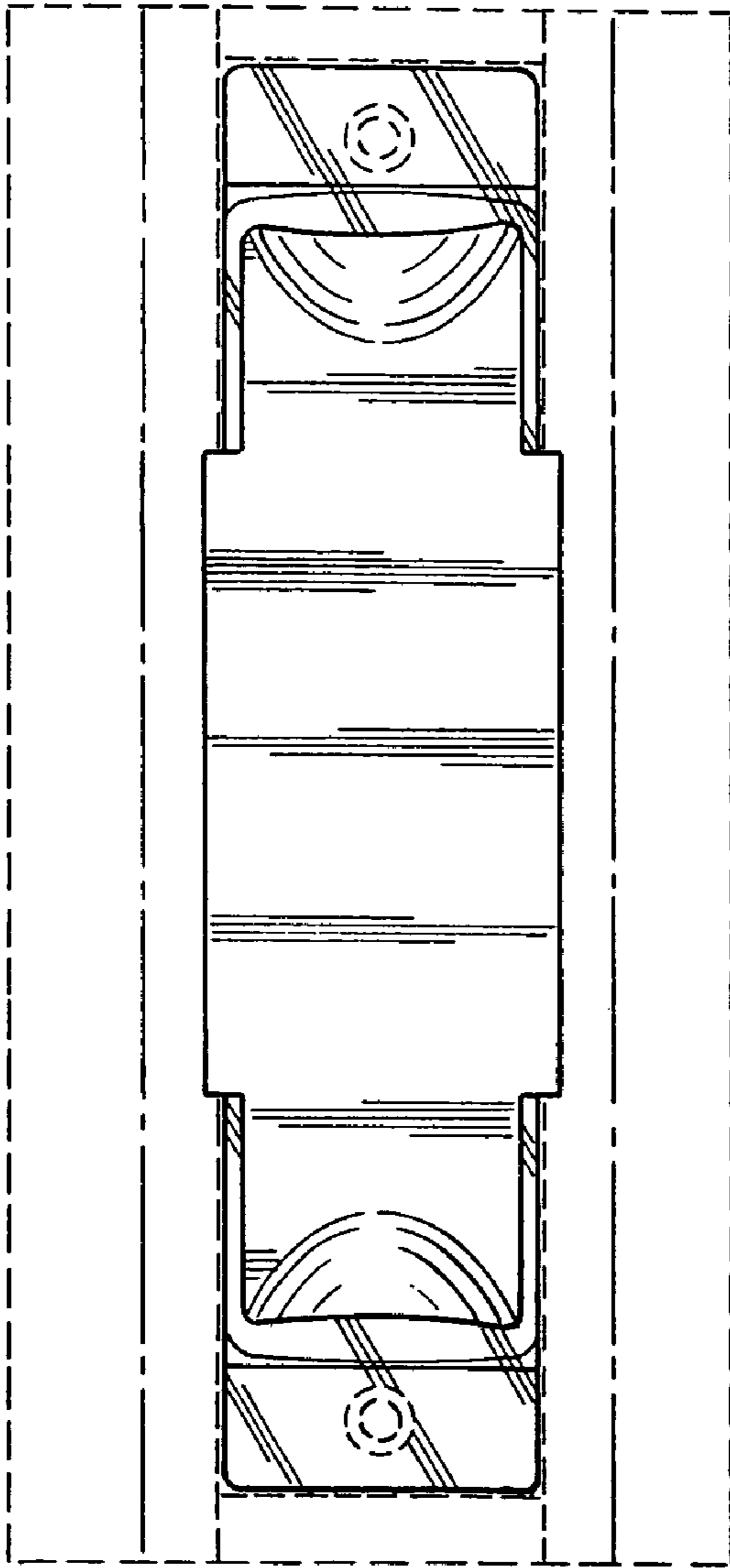




*Fig. 1*



*Fig. 2*



*Fig. 3*



*Fig. 4*



*Fig. 5*