



US00D565094S

(12) **United States Design Patent**  
**Sasaki et al.**

(10) **Patent No.:** **US D565,094 S**  
(45) **Date of Patent:** **\*\* Mar. 25, 2008**

(54) **IMAGE FORMING APPARATUS**

(75) Inventors: **Teruhiko Sasaki**, Mishima (JP);  
**Daisuke Abe**, Sunto-gun (JP); **Hiroki**  
**Ogino**, Mishima (JP); **Junichi**  
**Matsumura**, Matsudo (JP)

(73) Assignee: **Canon Kabushiki Kaisha**, Tokyo (JP)

(\*\*) Term: **14 Years**

(21) Appl. No.: **29/243,995**

(22) Filed: **Dec. 5, 2005**

(30) **Foreign Application Priority Data**

Sep. 2, 2005 (JP) ..... 2005-025426

(51) **LOC (8) Cl.** ..... **16-03**

(52) **U.S. Cl.** ..... **D18/43**

(58) **Field of Classification Search** ..... D14/462,  
D14/469-471; D18/12, 46, 40, 43, 44, 56;  
222/DIG. 1; 347/197, 222; 399/24-28,  
399/107-112, 119, 121, 122, 222-224; 400/207,  
400/208

See application file for complete search history.

(56) **References Cited**

**U.S. PATENT DOCUMENTS**

D397,140 S \* 8/1998 Oshida ..... D18/40  
D401,615 S \* 11/1998 Goto et al. .... D18/40

6,137,970 A \* 10/2000 Sasago ..... 399/111  
6,898,392 B2 \* 5/2005 Karakama et al. .... 399/111  
7,194,220 B2 \* 3/2007 Sasaki et al. .... 399/111  
2006/0029416 A1 \* 2/2006 Oguma et al. .... 399/111

\* cited by examiner

*Primary Examiner*—Caron D. Veynar

*Assistant Examiner*—Garth Rademaker

(74) *Attorney, Agent, or Firm*—Fitzpatrick, Cella, Harper & Scinto

(57) **CLAIM**

The ornamental design for an image forming apparatus, as shown and described.

**DESCRIPTION**

FIG. 1 is a front view of an image forming apparatus showing our new design;

FIG. 2 is a rear view thereof;

FIG. 3 is a top plan view thereof;

FIG. 4 is a bottom plan view thereof;

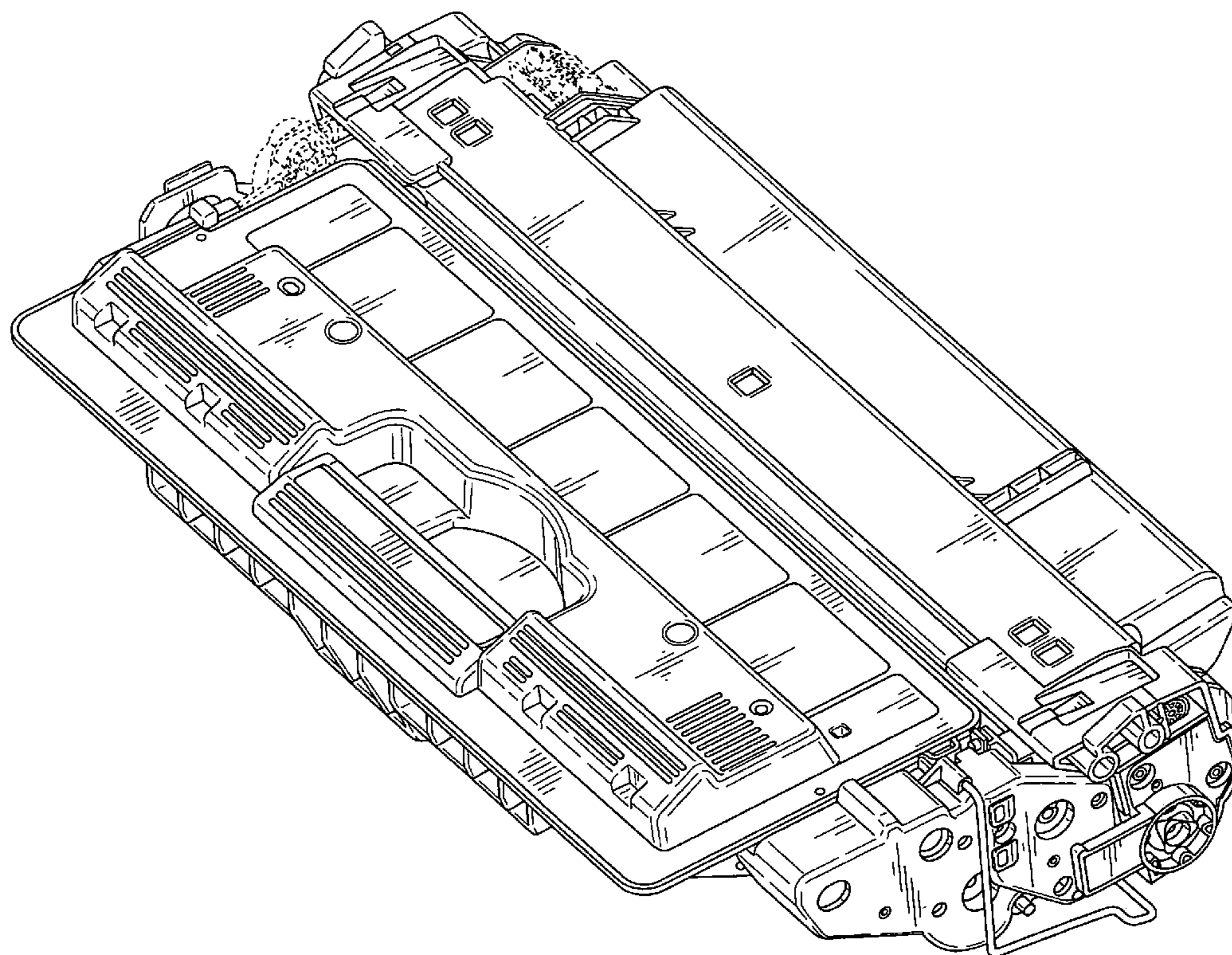
FIG. 5 is a left side view thereof;

FIG. 6 is a right side view thereof; and,

FIG. 7 is a perspective view thereof.

The broken lines depict environmental subject matter only and form no part of the claimed design.

**1 Claim, 5 Drawing Sheets**



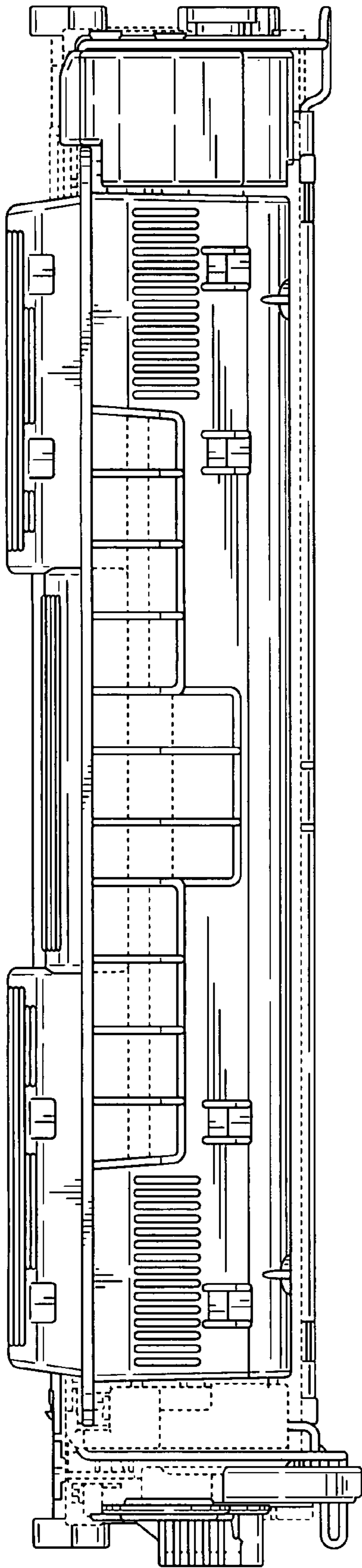


FIG. 1

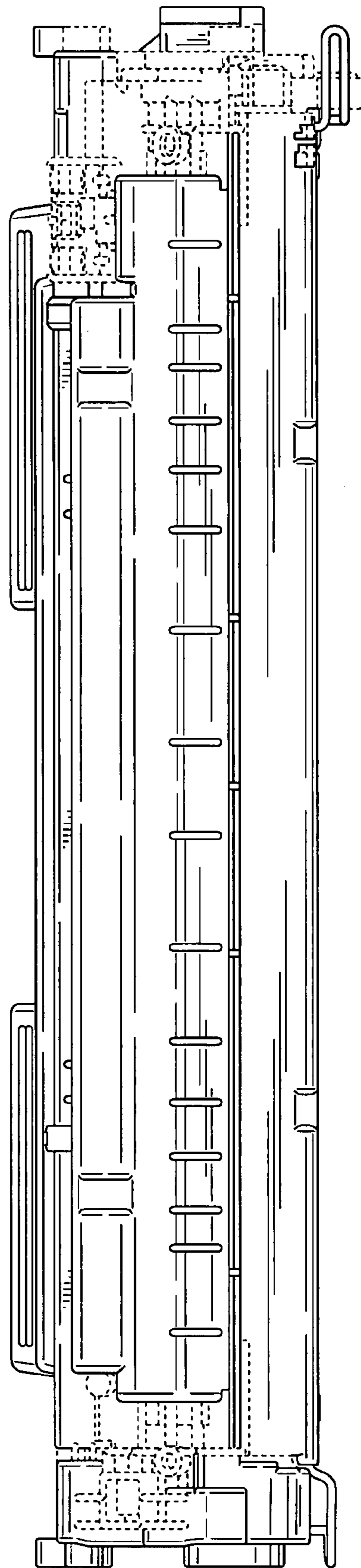


FIG. 2

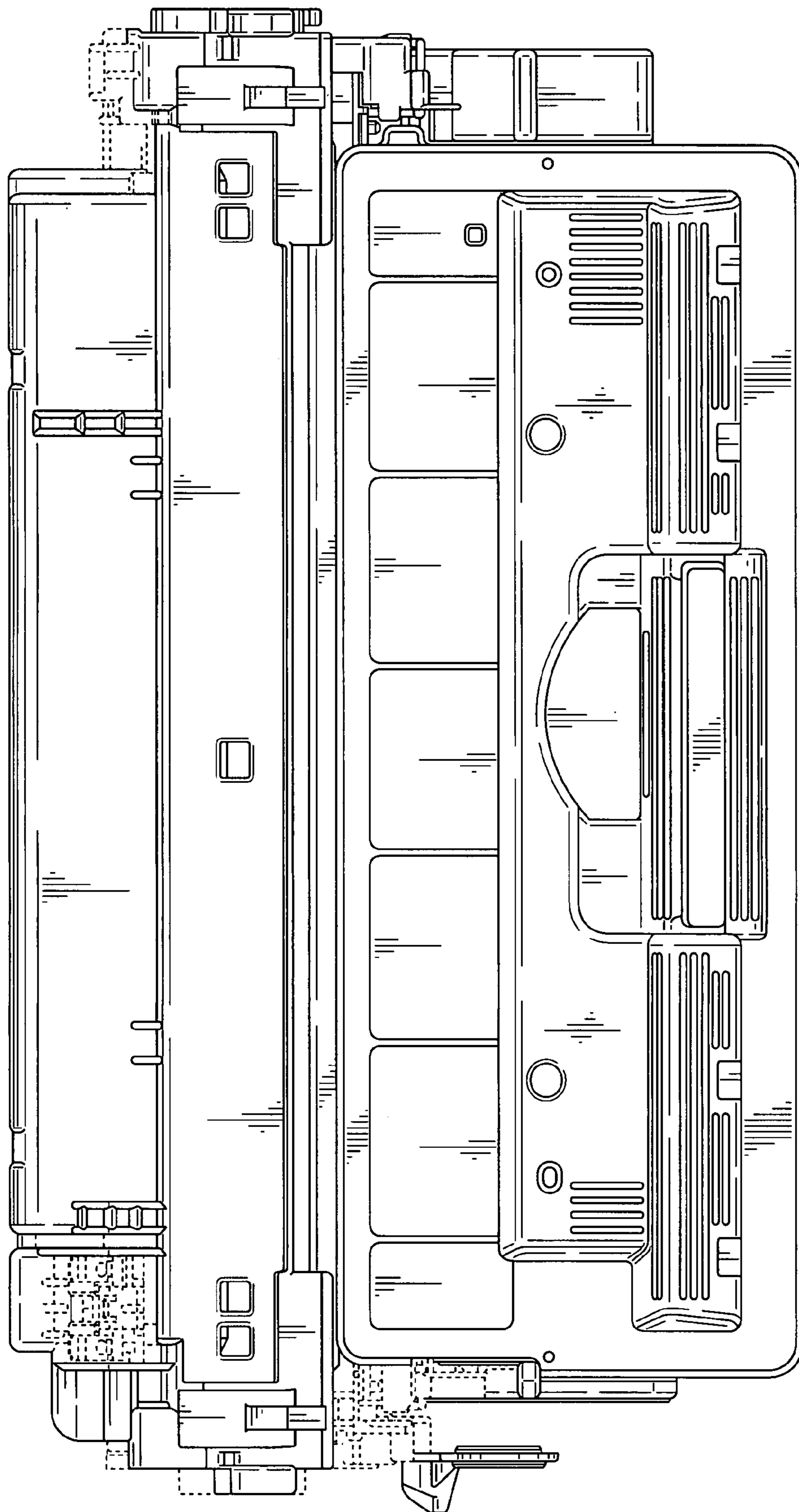


FIG. 3

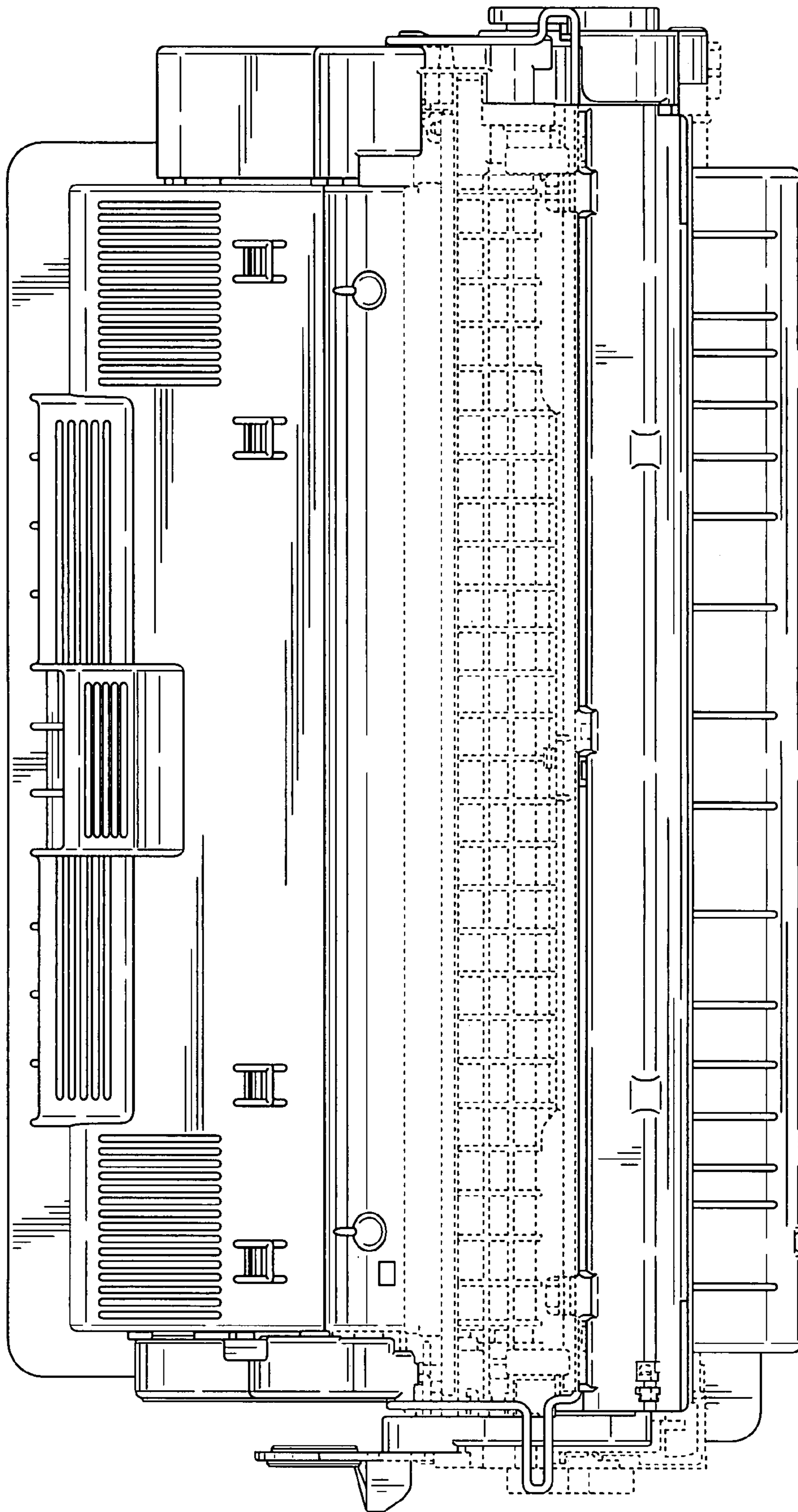
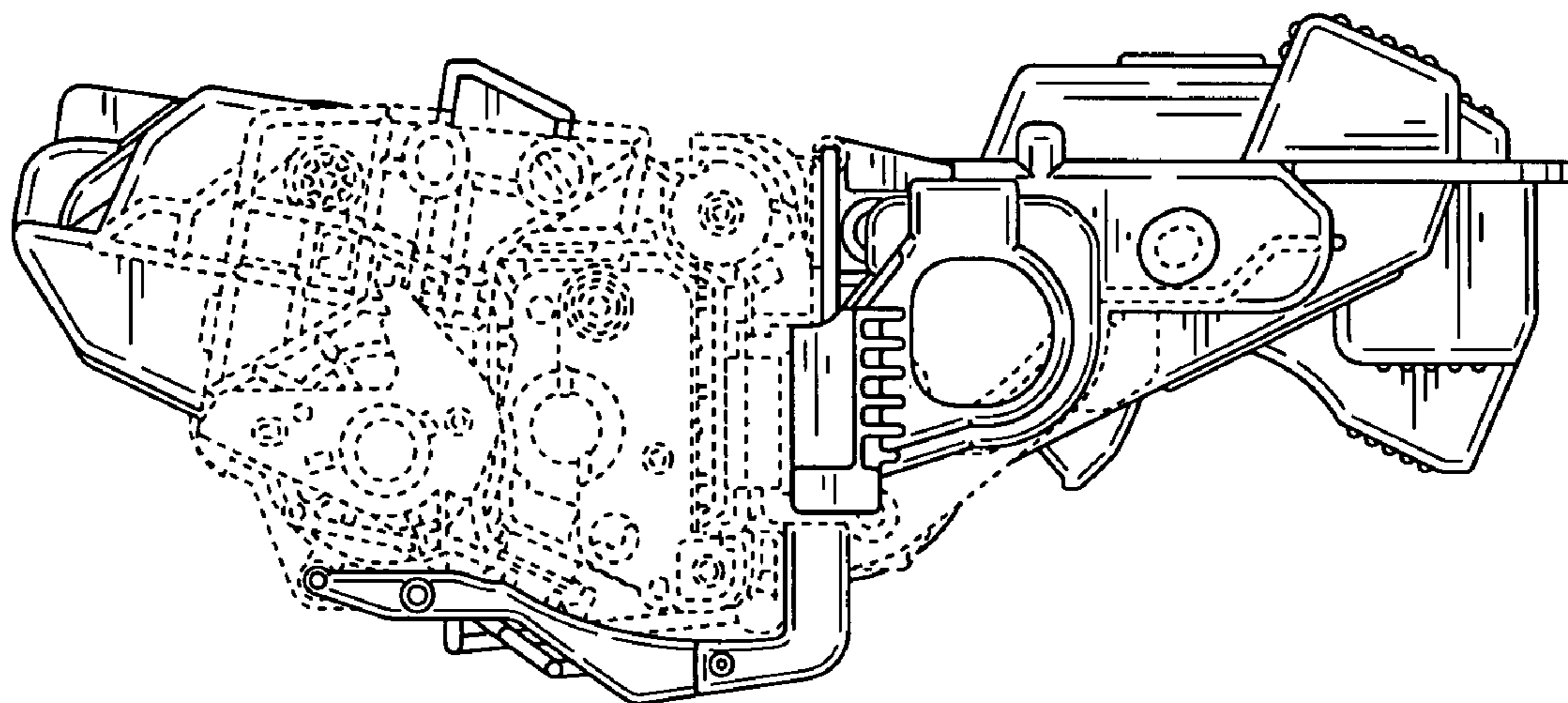
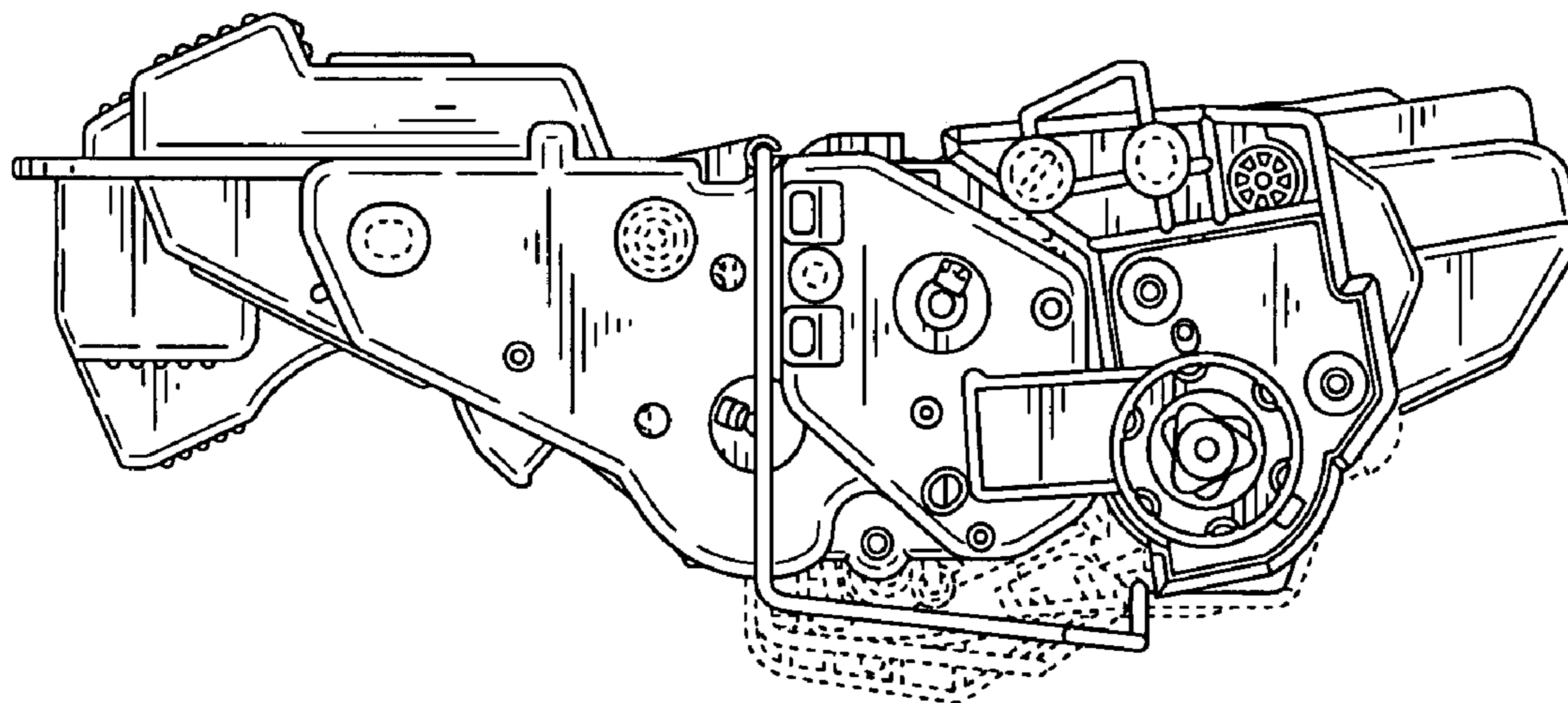


FIG. 4



**FIG. 5**



**FIG. 6**

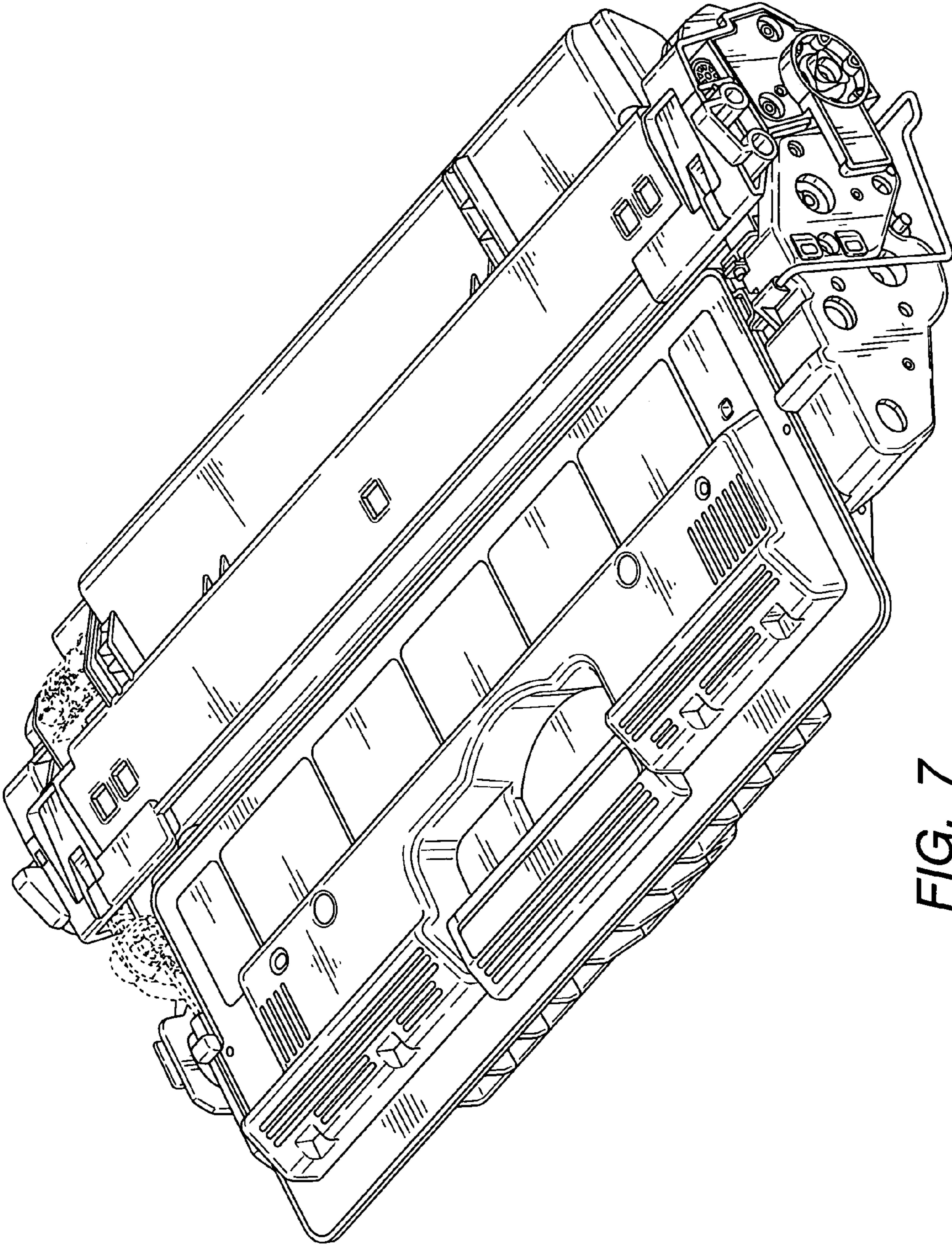


FIG. 7