



US00D565082S

(12) **United States Design Patent**
McClure et al.

(10) **Patent No.:** **US D565,082 S**
(45) **Date of Patent:** **** Mar. 25, 2008**

(54) **VISOR FOR A VISUAL PROSTHETIC APPARATUS**

(75) Inventors: **Kelly H. McClure**, Simi Valley, CA (US); **Richard Agustin Castro**, Pasadena, CA (US); **Sanjay Gaikwad**, Valencia, CA (US); **Da-Yu Chang**, Rowland Heights, CA (US); **Scott M. Loftin**, Rosamond, CA (US); **Rongqing Dai**, Valencia, CA (US); **Robert J. Greenberg**, Los Angeles, CA (US)

(73) Assignee: **Second Sight Medical Products, Inc.**, Sylmar, CA (US)

(**) Term: **14 Years**

(21) Appl. No.: **29/291,115**

(22) Filed: **Aug. 15, 2007**

(30) **Foreign Application Priority Data**

Jun. 15, 2007 (WO) PCT/US2007/013918

(51) **LOC (8) Cl.** **16-06**

(52) **U.S. Cl.** **D16/309; D16/340**

(58) **Field of Classification Search** D16/100, D16/135, 300, 309, 311, 312, 313; D14/223, D14/372, 496; D29/15, 112; 606/130; 607/53, 607/54; 345/8; 455/575.2; 623/4.1, 6.63; D19/60; 434/38, 44; 29/15; 351/41, 44, 351/158, 47

See application file for complete search history.

(56) **References Cited**

U.S. PATENT DOCUMENTS

D359,060	S	*	6/1995	Sherlock et al.	D16/135
D380,032	S	*	6/1997	Kobayashi et al.	D14/372
D392,629	S	*	3/1998	Amafuji et al.	D14/372
5,843,093	A	*	12/1998	Howard, III	606/130
D404,174	S	*	1/1999	Childs et al.	D29/112
5,935,155	A	*	8/1999	Humayun et al.	607/54
D417,666	S	*	12/1999	Morooka	D14/372
D427,982	S	*	7/2000	Ishii	D14/372

D429,253	S	*	8/2000	Robertson et al.	D14/496
D429,751	S	*	8/2000	Garrity et al.	D16/309
D441,388	S	*	5/2001	Lightman	D16/300
D444,155	S	*	6/2001	Morooka et al.	D14/496
D445,416	S	*	7/2001	Glezerman	D14/223
6,346,929	B1	*	2/2002	Fukushima et al.	345/8
D473,890	S	*	4/2003	Waters	D16/309
D483,779	S	*	12/2003	Huang	D16/135
D485,855	S	*	1/2004	Overthun	D16/313
D513,032	S	*	12/2005	Diamantidis	D16/300
6,976,998	B2	*	12/2005	Rizzo et al.	623/6.63
7,079,876	B2	*	7/2006	Levy	455/575.2
2004/0030383	A1	*	2/2004	Havey et al.	623/4.1
2006/0129207	A1	*	6/2006	Fried et al.	607/54
2006/0282129	A1	*	12/2006	Fried et al.	607/53
2007/0191910	A1	*	8/2007	Ren	607/54

* cited by examiner

Primary Examiner—T. Chase Nelson

Assistant Examiner—Barbara B Lohr

(74) *Attorney, Agent, or Firm*—Scott B. Dunbar; Tomas Lendvai

(57) **CLAIM**

The ornamental design for the visor for a visual prosthetic apparatus, as shown and described.

DESCRIPTION

This invention was made with government support under grant No. R24EY12893-01 awarded by the National Institutes of Health. The government has certain rights in the invention.

FIG. 1 is a front perspective view of the visor.

FIG. 2 is a front view of the visor.

FIG. 3 is a left side view of the visor.

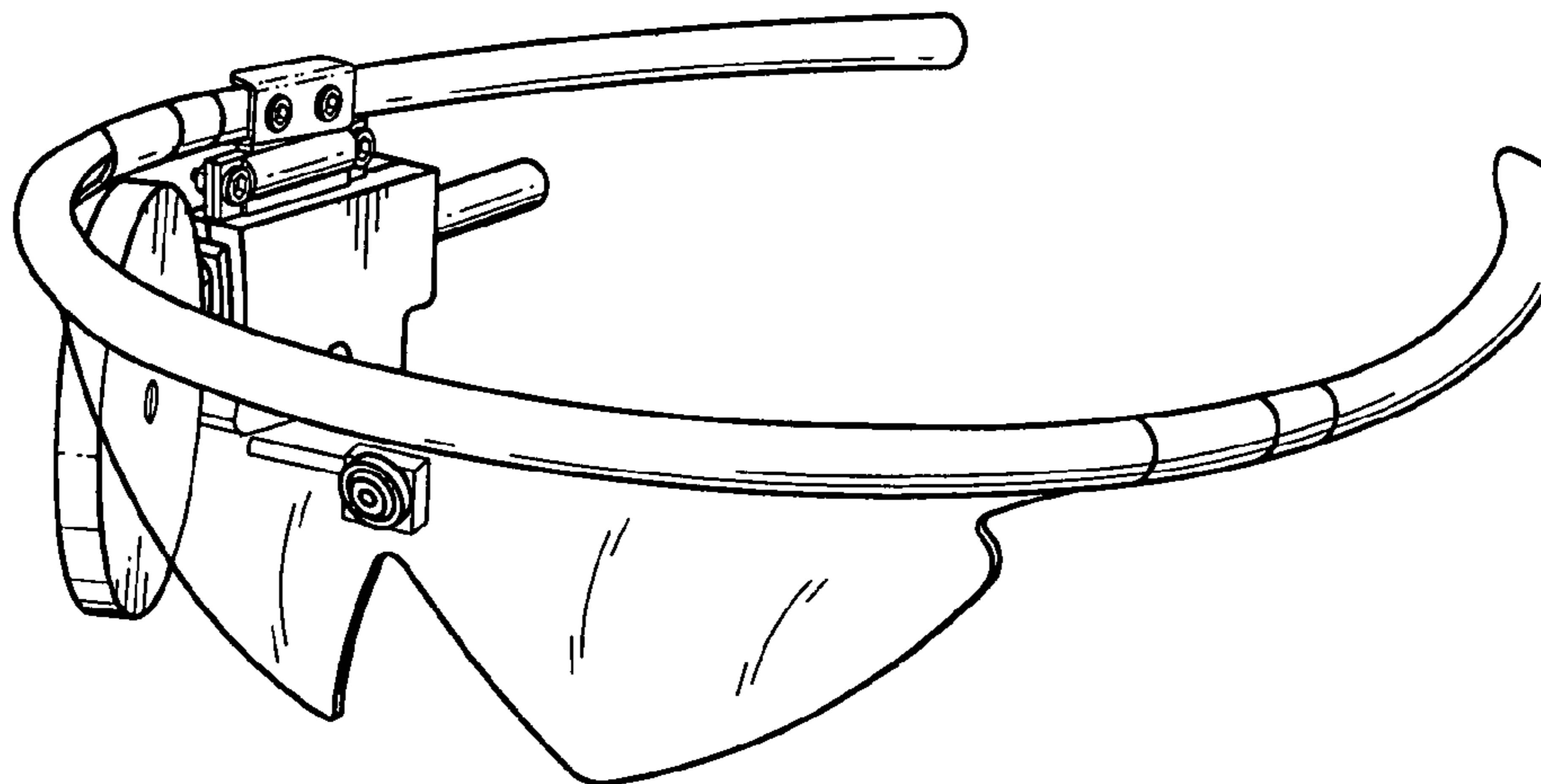
FIG. 4 is a right side view of the visor.

FIG. 5 is a rear view of the visor.

FIG. 6 is a bottom view of the visor; and,

FIG. 7 is a top view of the visor.

1 Claim, 5 Drawing Sheets



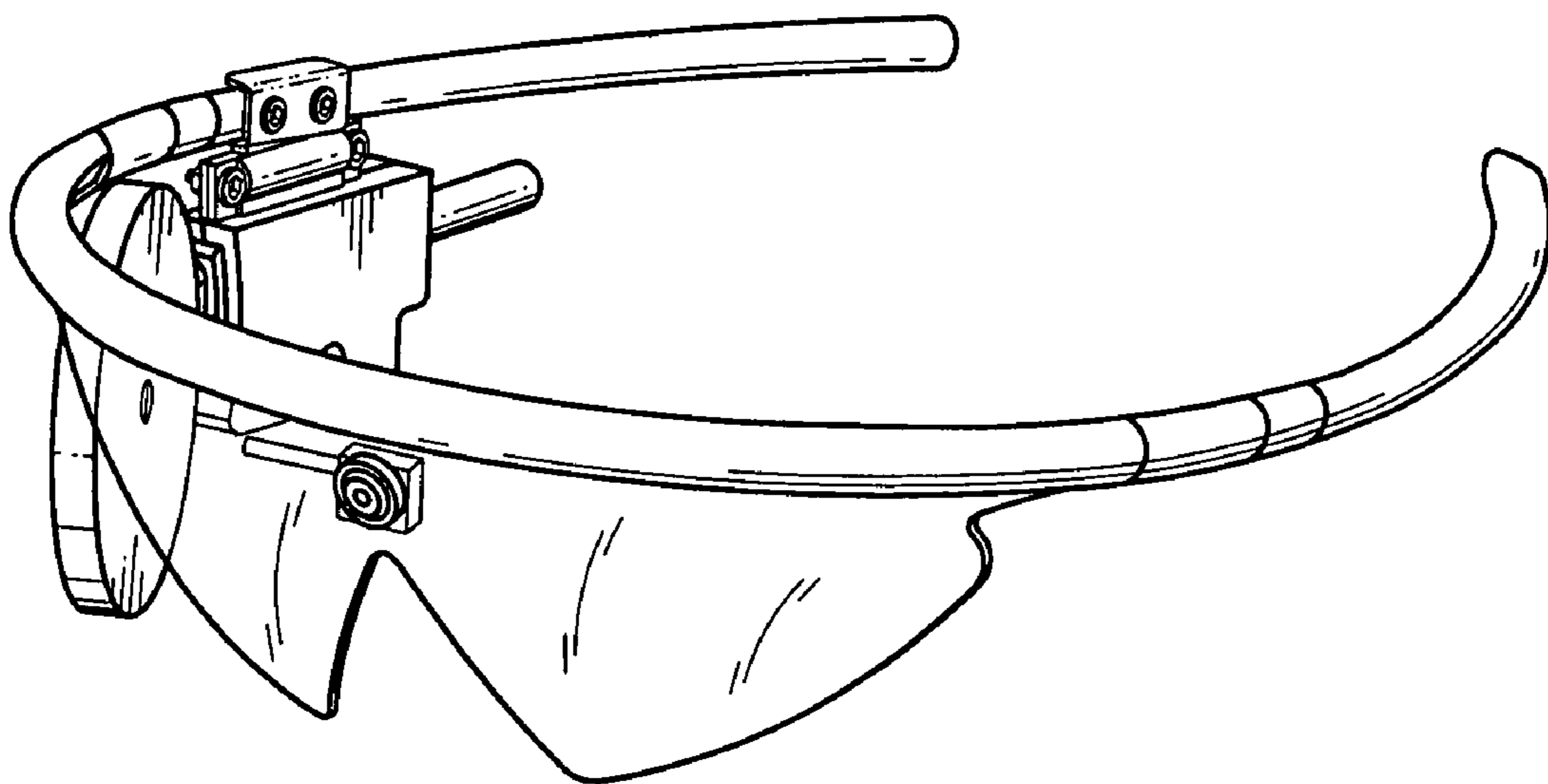


FIG. 1

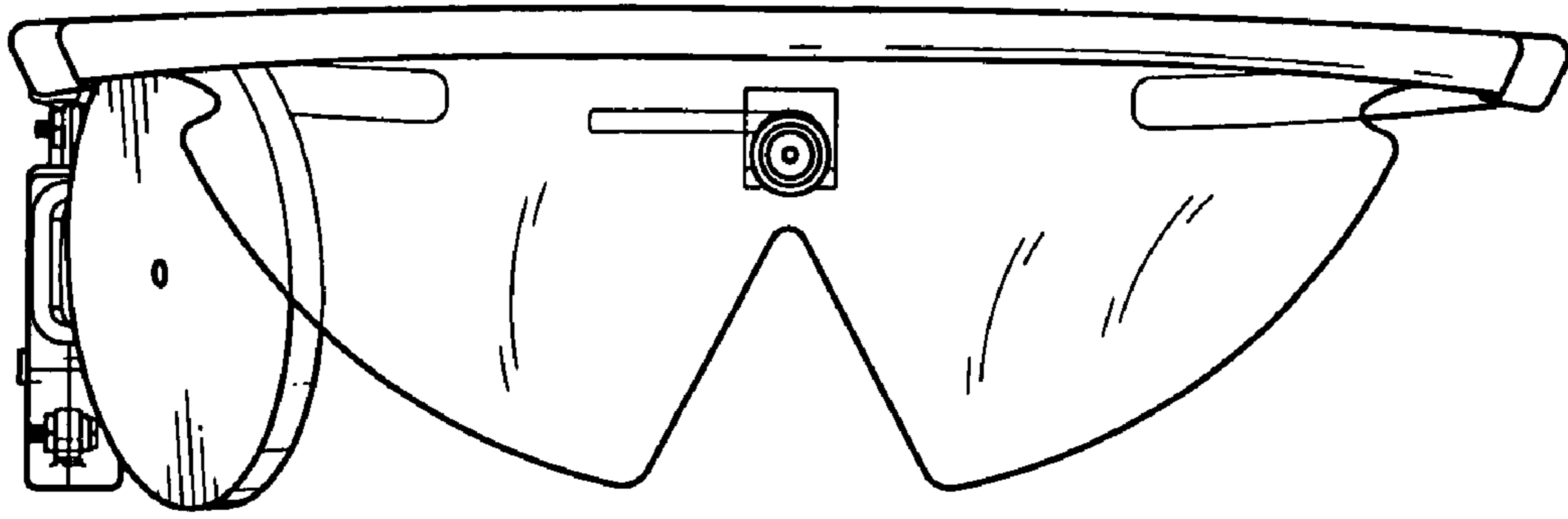


FIG. 2

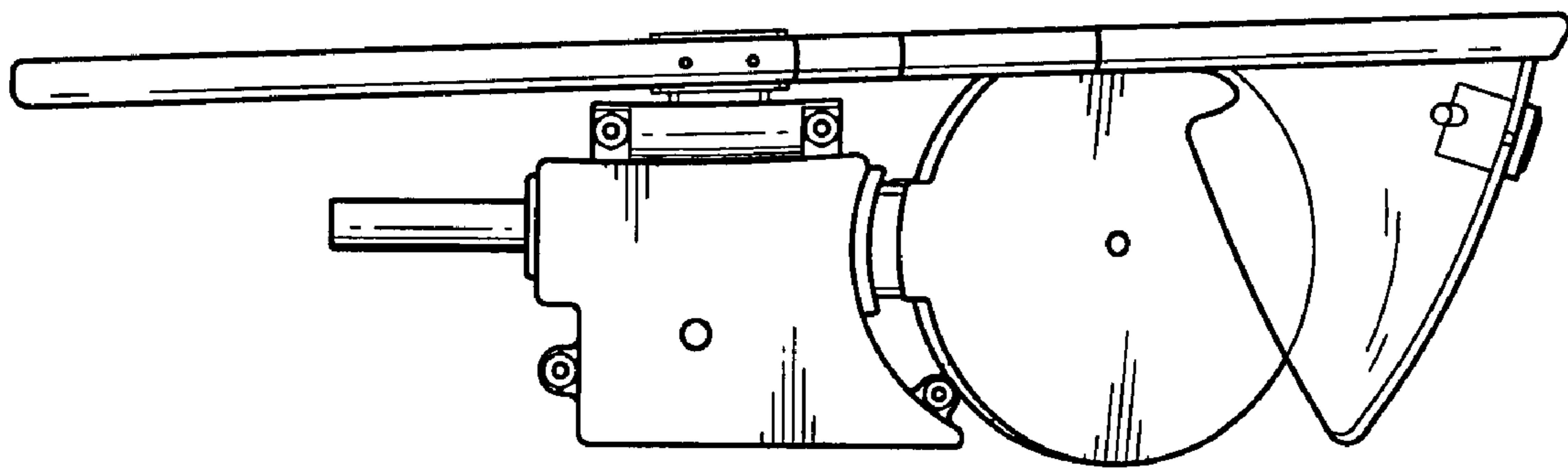


FIG. 3

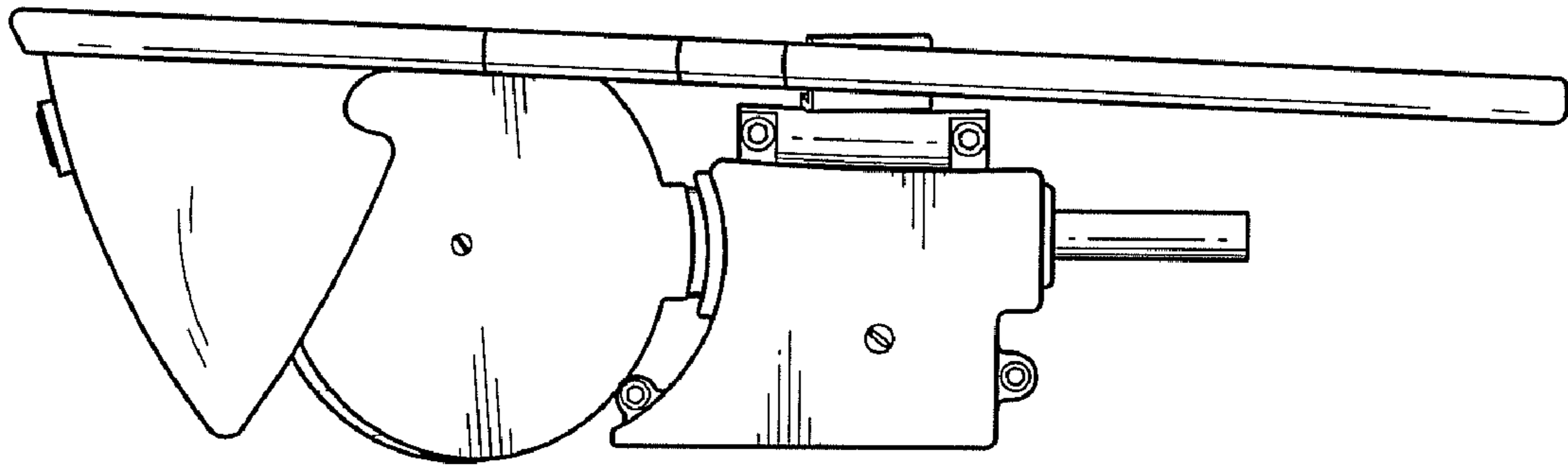


FIG. 4

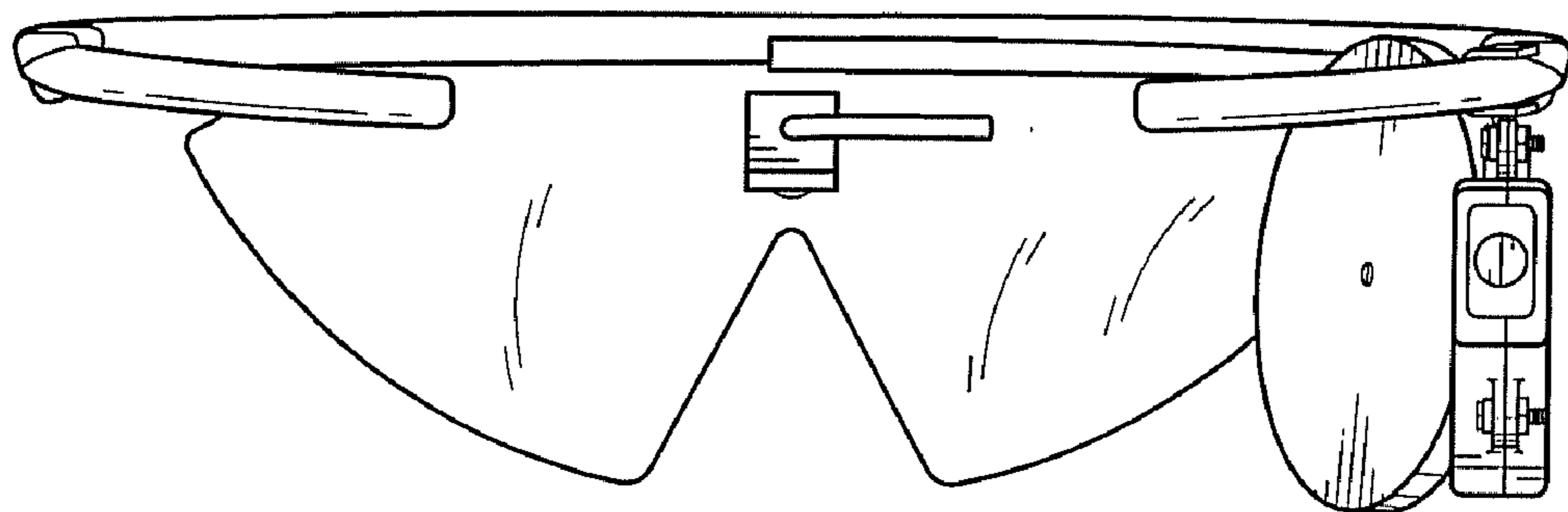


FIG. 5

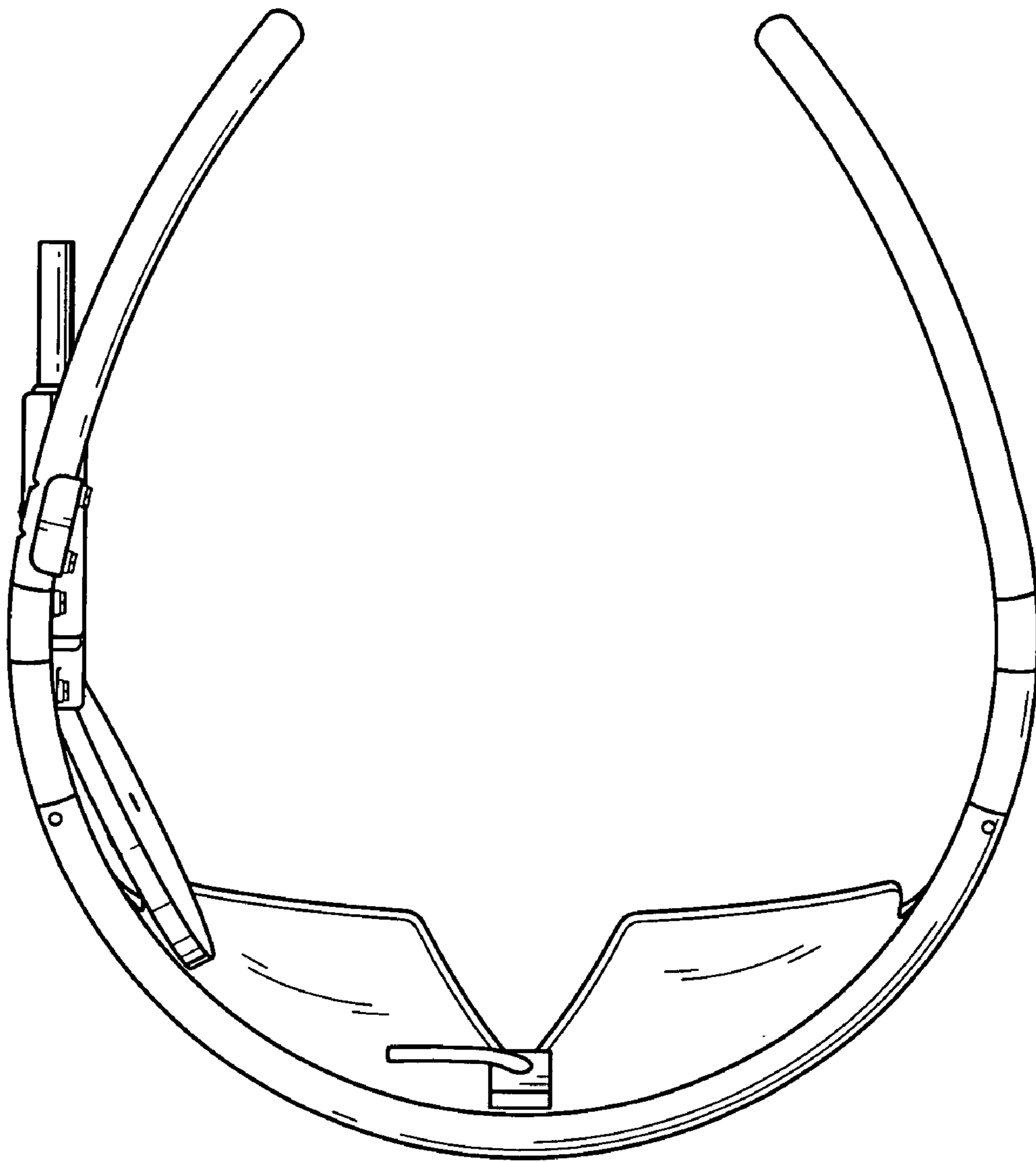


FIG. 6

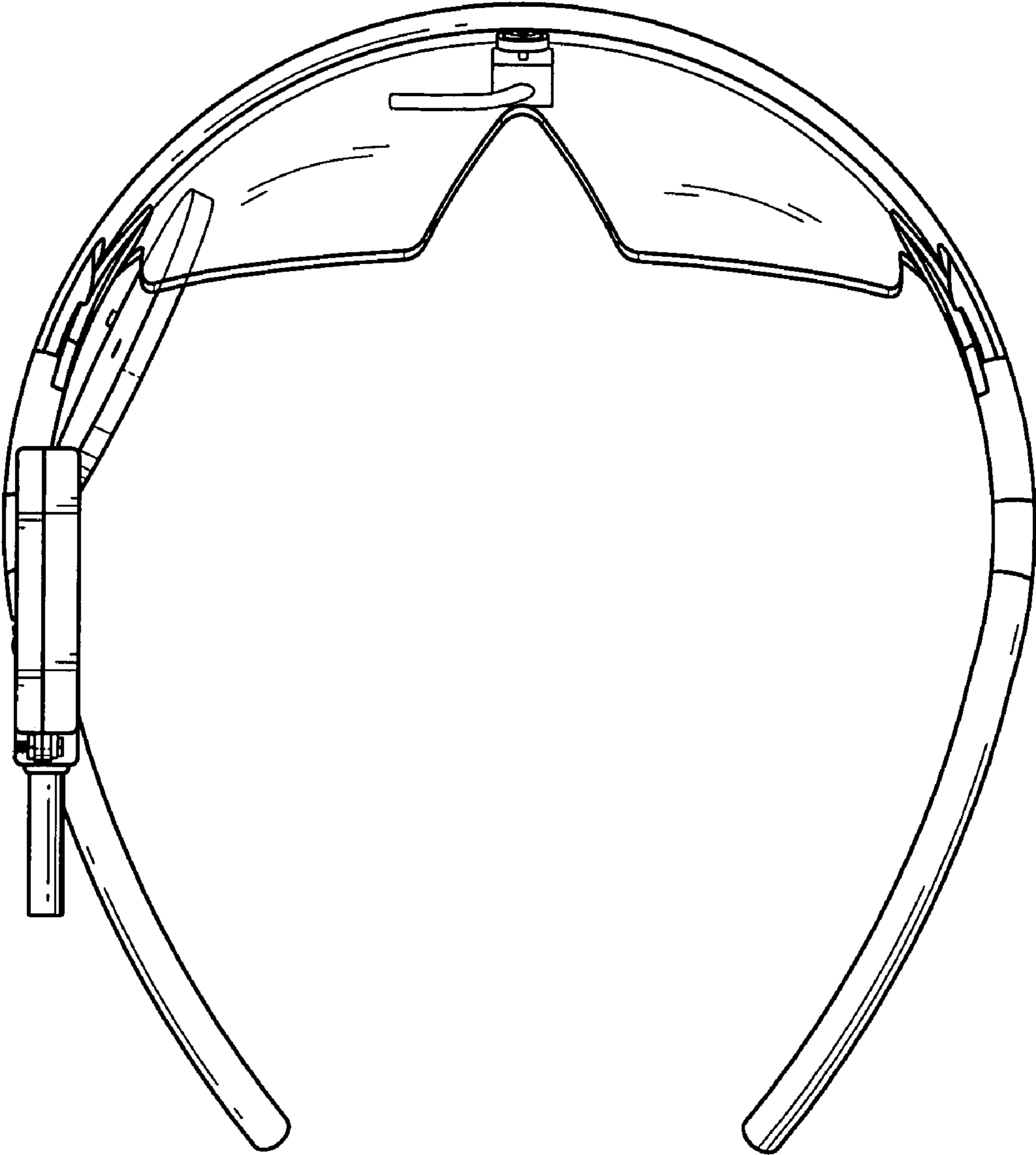


FIG. 7