



US00D565080S

(12) **United States Design Patent**
Ishikawa

(10) **Patent No.:** **US D565,080 S**
(45) **Date of Patent:** **** Mar. 25, 2008**

(54) **PROJECTOR**

(75) Inventor: **Takeshi Ishikawa**, Azumino (JP)
(73) Assignee: **Seiko Epson Corporation**, Tokyo (JP)
(**) Term: **14 Years**
(21) Appl. No.: **29/287,140**
(22) Filed: **Jul. 2, 2007**

Related U.S. Application Data

(62) Division of application No. 29/262,039, filed on Jun. 26, 2006, now Pat. No. Des. 554,685.

Foreign Application Priority Data

Dec. 26, 2005 (JP) 2005-037958

(51) **LOC (8) Cl.** **16-02**
(52) **U.S. Cl.** **D16/235; D16/221**
(58) **Field of Classification Search** D16/205,
D16/208, 221, 225, 230, 235, 242; D21/514;
353/115, 119, 122
See application file for complete search history.

References Cited

U.S. PATENT DOCUMENTS

D190,103 S	4/1961	Stapsy	
3,285,151 A	11/1966	Black	
3,314,330 A	4/1967	Finke	
3,542,463 A	11/1970	Klein	
D244,931 S *	7/1977	Miller et al.	D16/205
4,394,692 A *	7/1983	Randmae et al.	348/374
4,825,295 A	4/1989	Ishikawa et al.	
4,939,580 A	7/1990	Ishikawa et al.	
5,631,699 A	5/1997	Saito	
D396,871 S	8/1998	McNulty	
D401,954 S	12/1998	Oh et al.	

5,996,176 A	12/1999	Ghouse	
D426,844 S *	6/2000	Fujii	D16/203
D446,236 S	8/2001	Chen	
D446,534 S	8/2001	Zimmer	
D456,831 S	5/2002	Mori et al.	
6,683,654 B1 *	1/2004	Haijima	348/374
6,695,452 B2	2/2004	Panasewicz et al.	
6,728,480 B1 *	4/2004	Maeda et al.	348/373
D498,782 S *	11/2004	Ooshima	D16/235
D500,511 S	1/2005	Sybilrud	
6,883,918 B2	4/2005	Yaniv	
D506,489 S	6/2005	Owada	
7,046,297 B2	5/2006	Chou	
D531,200 S *	10/2006	Taneno et al.	D16/203
7,182,472 B2	2/2007	Vitantonio et al.	
D545,343 S *	6/2007	Braun	D16/242
2005/0057542 A1	3/2005	Plut	
2005/0162545 A1	7/2005	Jeon	

* cited by examiner

Primary Examiner—Adir Aronovich
(74) *Attorney, Agent, or Firm*—Oliff & Berridge, PLC

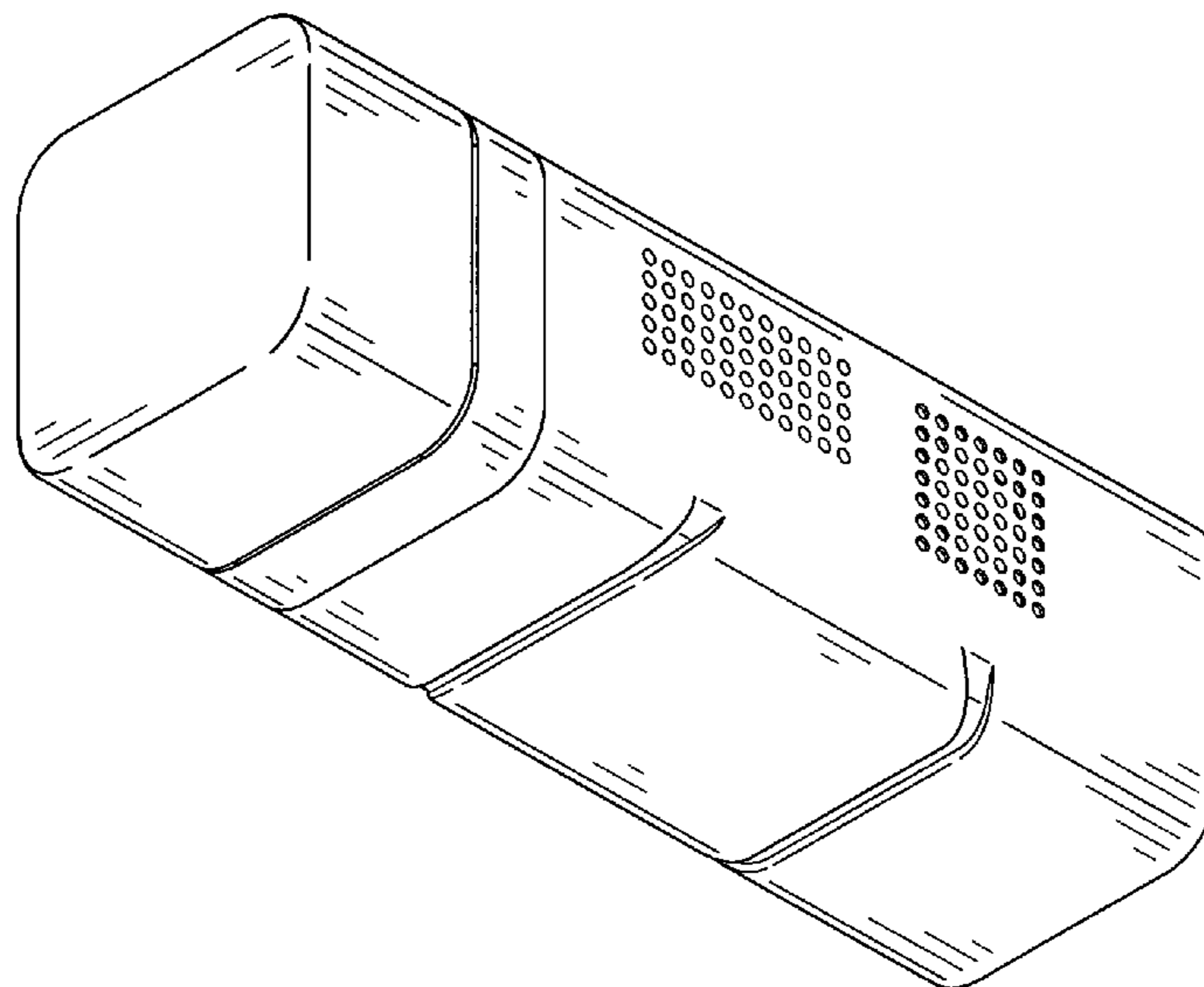
(57) **CLAIM**

The ornamental design for a projector, as shown and described.

DESCRIPTION

FIG. 1 is a perspective view of a projector;
FIG. 2 is a front view thereof;
FIG. 3 is a rear thereof;
FIG. 4 is a left-side thereof;
FIG. 5 is a right-side view thereof;
FIG. 6 is a top view thereof; and,
FIG. 7 is a bottom view thereof.

1 Claim, 3 Drawing Sheets



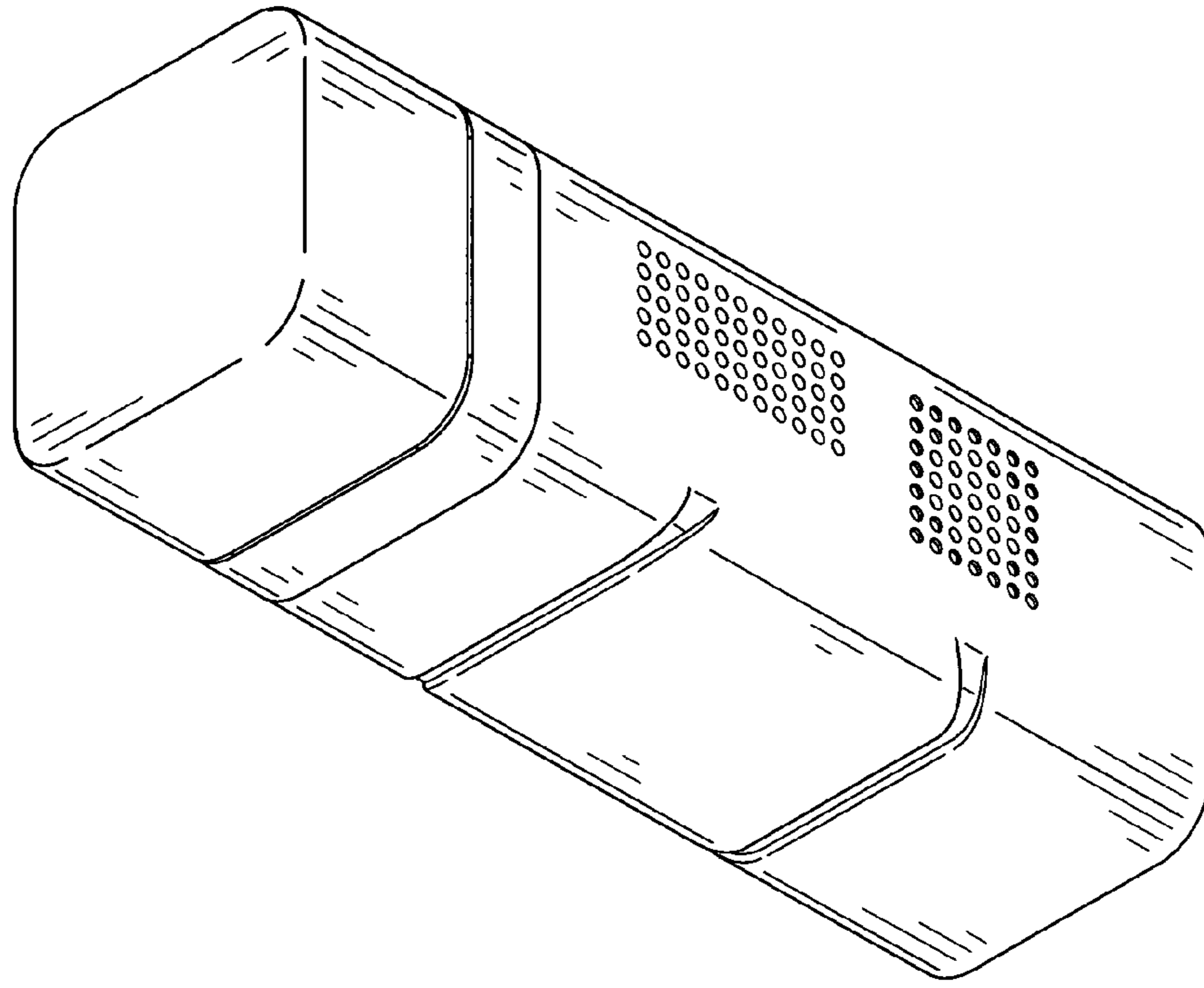


FIG. 1

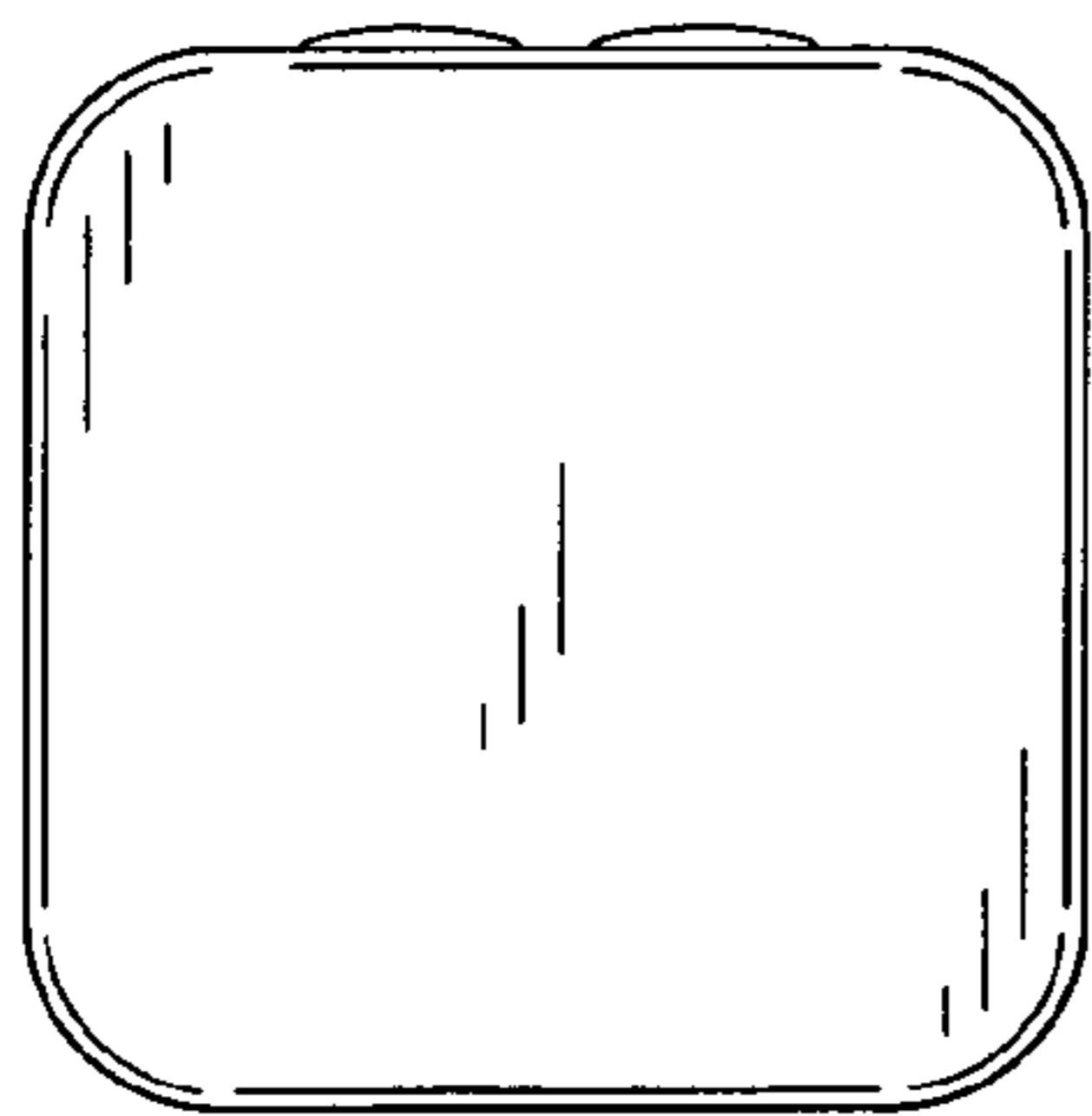


FIG. 2

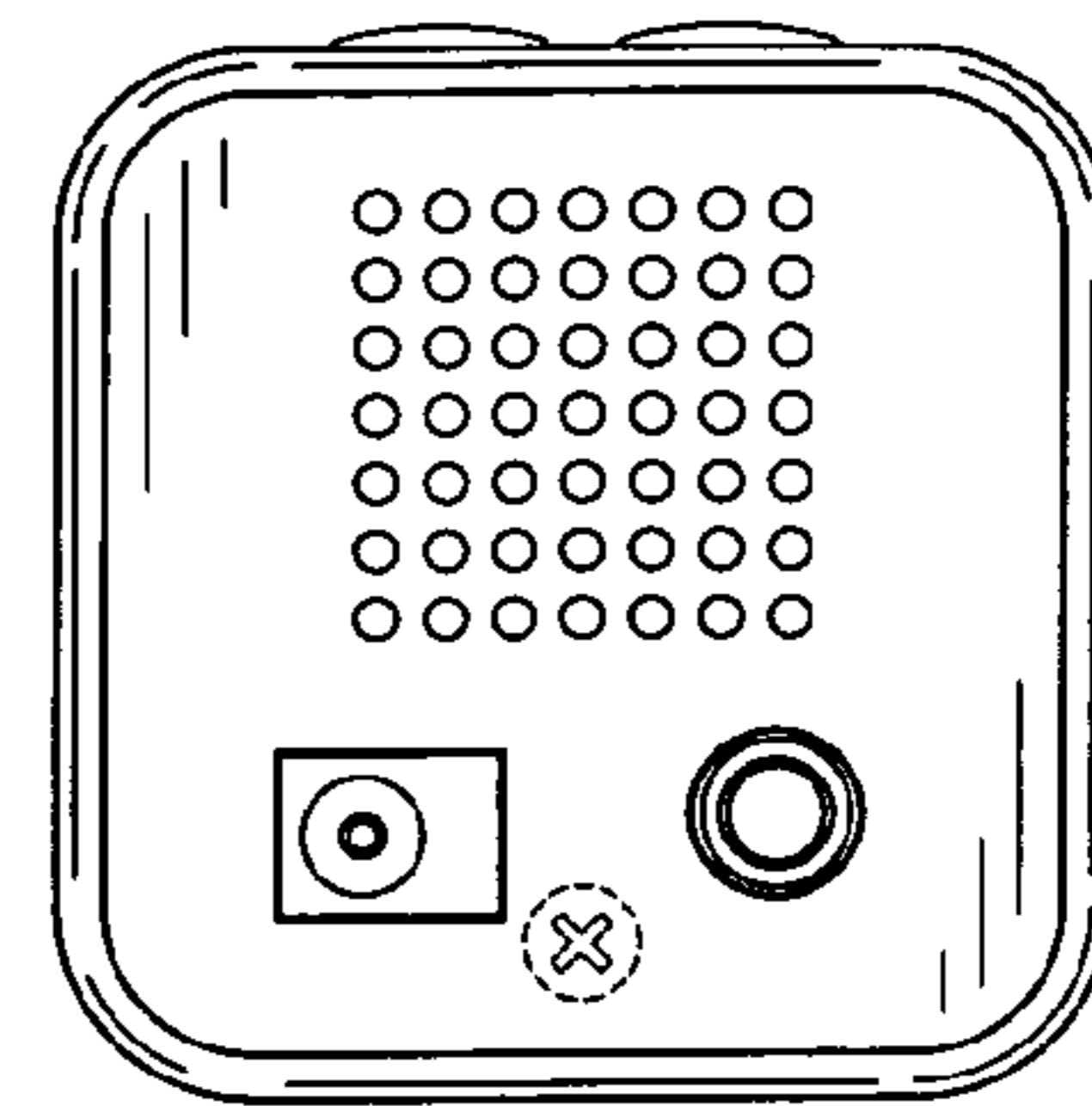


FIG. 3

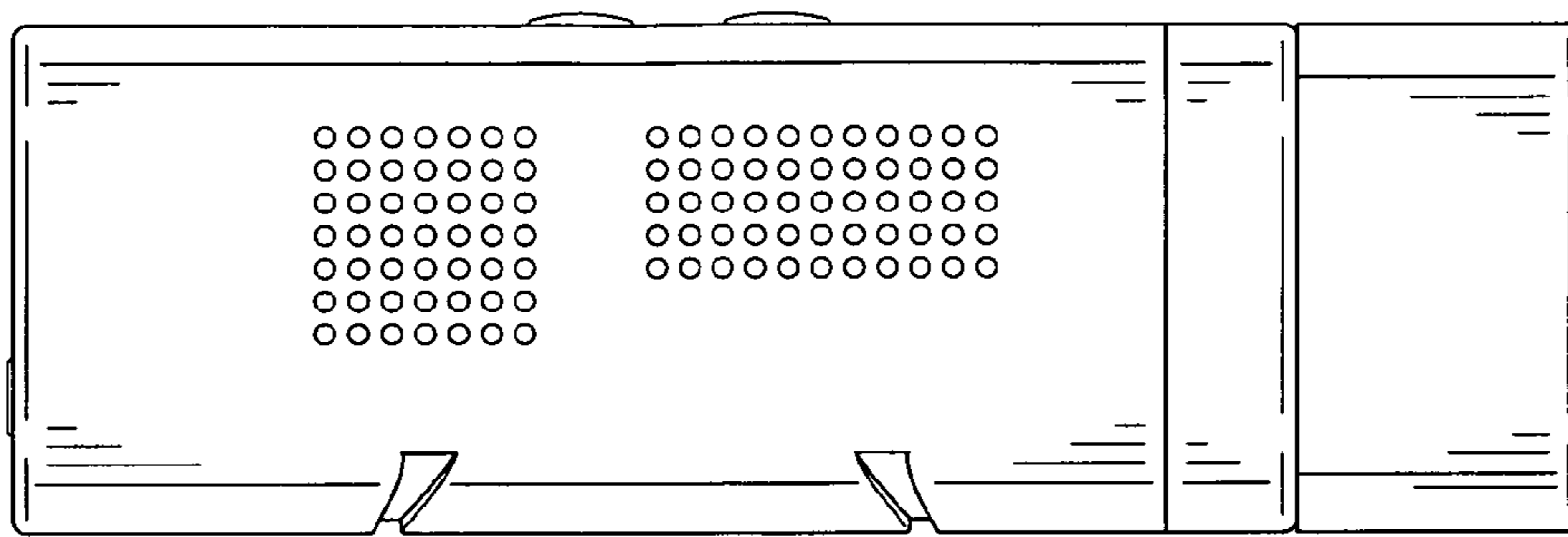


FIG. 4

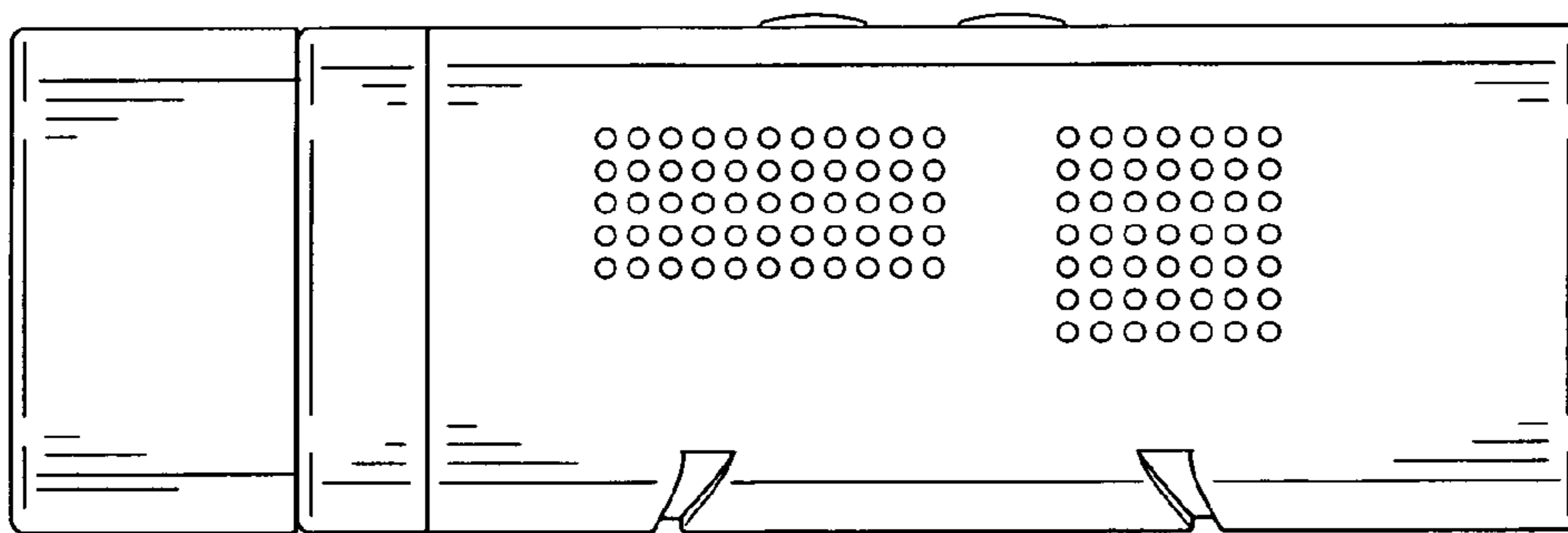


FIG. 5

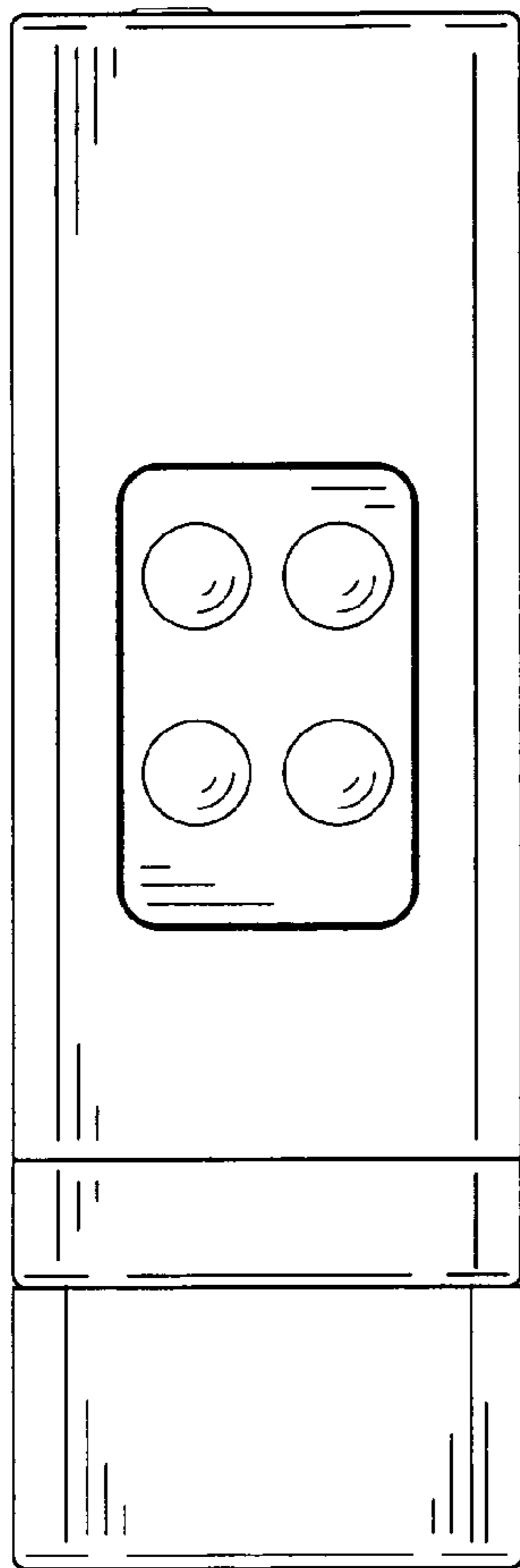


FIG. 6

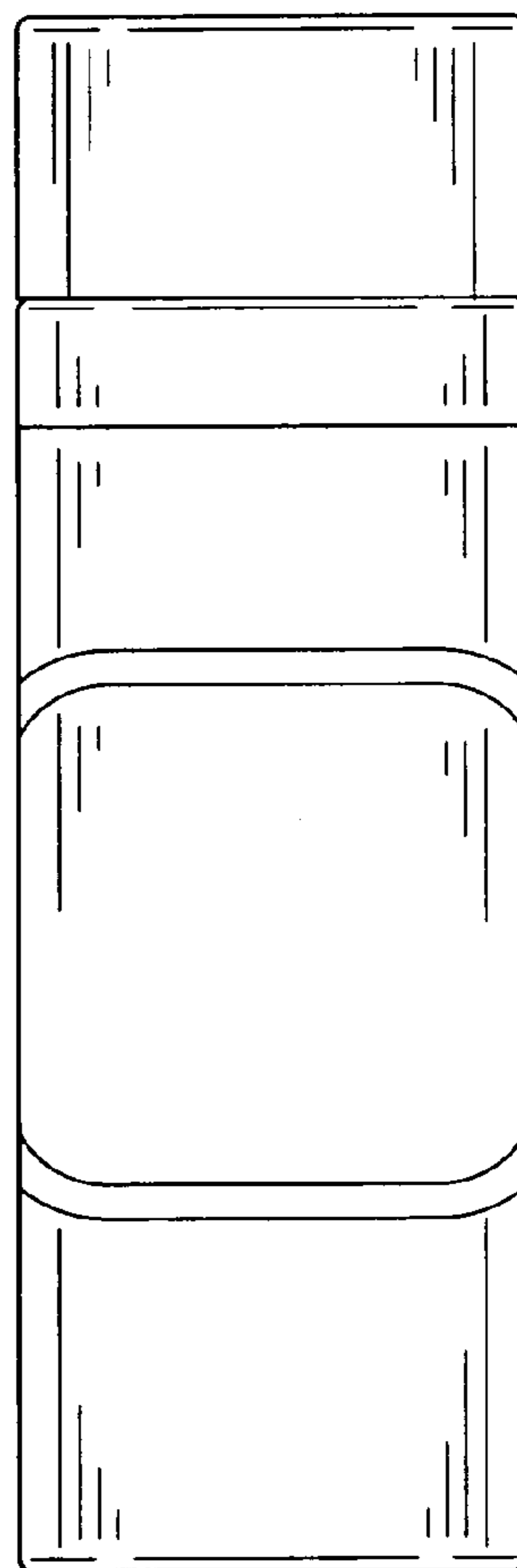


FIG. 7