



(12) **United States Design Patent**  
**Hayashi**

(10) **Patent No.:** **US D565,075 S**  
(45) **Date of Patent:** **\*\* Mar. 25, 2008**

(54) **CAMERA DISPLAY**

(75) Inventor: **Haruo Hayashi**, Tokyo (JP)

(73) Assignee: **Sony Corporation**, Tokyo (JP)

(\*\*) Term: **14 Years**

(21) Appl. No.: **29/280,122**

(22) Filed: **May 17, 2007**

**Related U.S. Application Data**

(62) Division of application No. 29/254,902, filed on Mar. 2, 2006, now Pat. No. Des. 557,304.

(30) **Foreign Application Priority Data**

Sep. 2, 2005 (JP) ..... 2005-025486  
Sep. 2, 2005 (JP) ..... 2005-025492

(51) **LOC (8) Cl.** ..... **16-05**

(52) **U.S. Cl.** ..... **D16/219; D16/202**

(58) **Field of Classification Search** ..... D16/200–206,  
D16/208, 217, 218, 219; 348/373–376; 358/906,  
358/909.1; 396/535–541  
See application file for complete search history.

(56) **References Cited**

**U.S. PATENT DOCUMENTS**

D339,367 S 9/1993 Yamamoto

(Continued)

**FOREIGN PATENT DOCUMENTS**

JP D1094486 10/2000  
JP D1099889 12/2000  
JP D1179362 5/2003  
JP D1230104 12/2004  
JP D1232705 1/2005

**OTHER PUBLICATIONS**

Kodak Easyshare Z740 Zoom Digital Camera <http://www.kodak.com/eknec/PageQuerier.jhtml?pq-path=9/19/131/6547&pq-lo...>  
May 23, 2006.

OLYMPUS Digital Imaging (Cameras) <http://www.olympus.co.jp/en/ims/digicamera/> May 23, 2006.

EX-P505—Exilim Pro—Cameras—Products—Casio [http://www.casio.com/products/Cameras/Exilim\\_Pro/EX-P505/](http://www.casio.com/products/Cameras/Exilim_Pro/EX-P505/) May 23, 2006.

Nikon Imaging | COOLPIX 8800 <http://nikonimaging.com/global/products/digitalcamera/coolpix/8800/index.htm> May 5, 2006.

*Primary Examiner*—Adir Aronovich

(74) *Attorney, Agent, or Firm*—Oblon, Spivak, McClelland, Maier & Neustadt, P.C.

(57) **CLAIM**

The ornamental design for a camera display, as shown and described.

**DESCRIPTION**

The nature and intended use of the article of manufacture in which the design of the present invention is embodied is a display, for example, a display for a digital camera.

FIG. 1 is a front elevational view of a camera display, showing the design thereof;

FIG. 2 is a rear elevational view thereof;

FIG. 3 is a left side elevational view thereof;

FIG. 4 is a right side elevational view thereof;

FIG. 5 is a top plan view thereof;

FIG. 6 is a bottom plan view thereof;

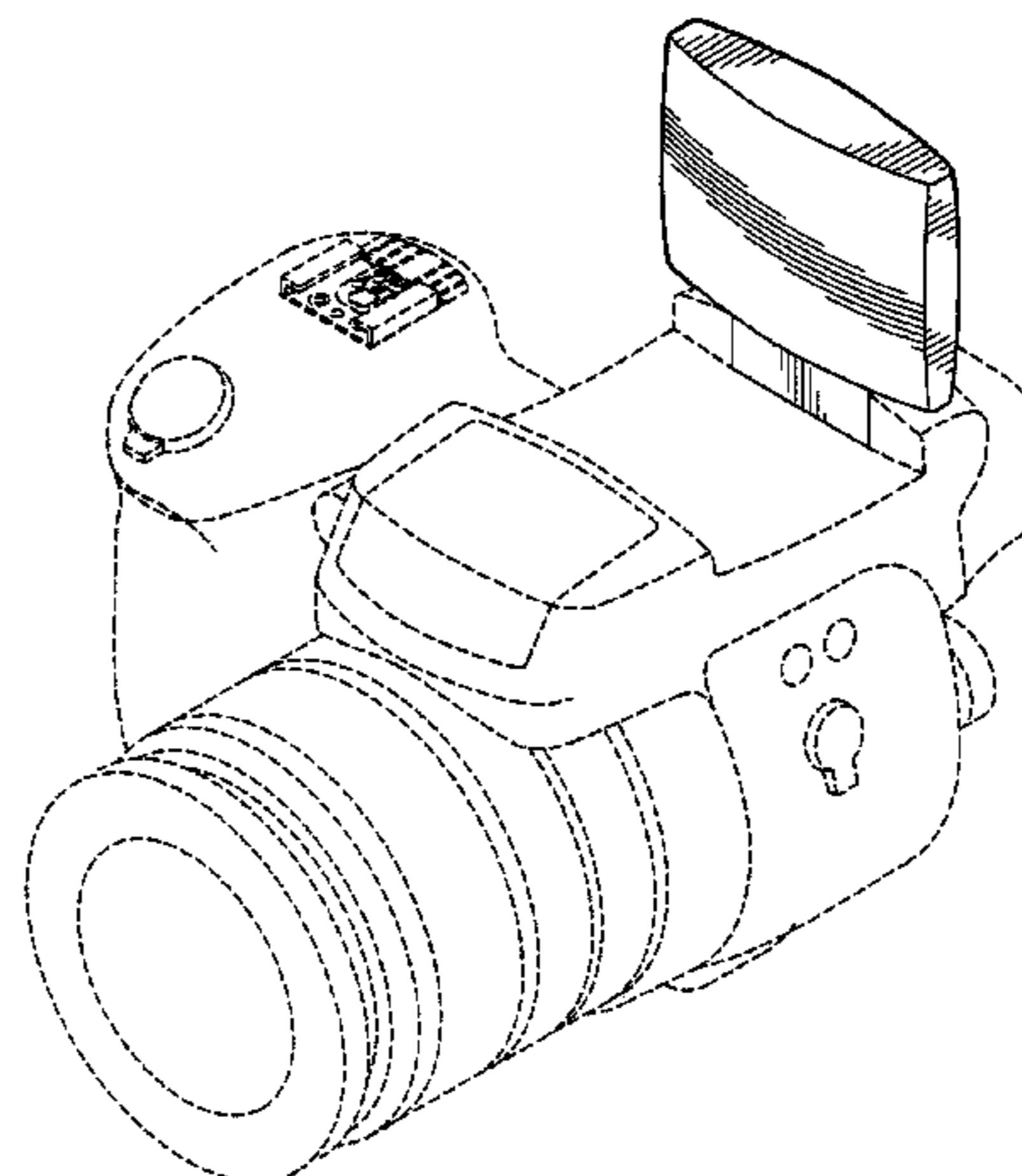
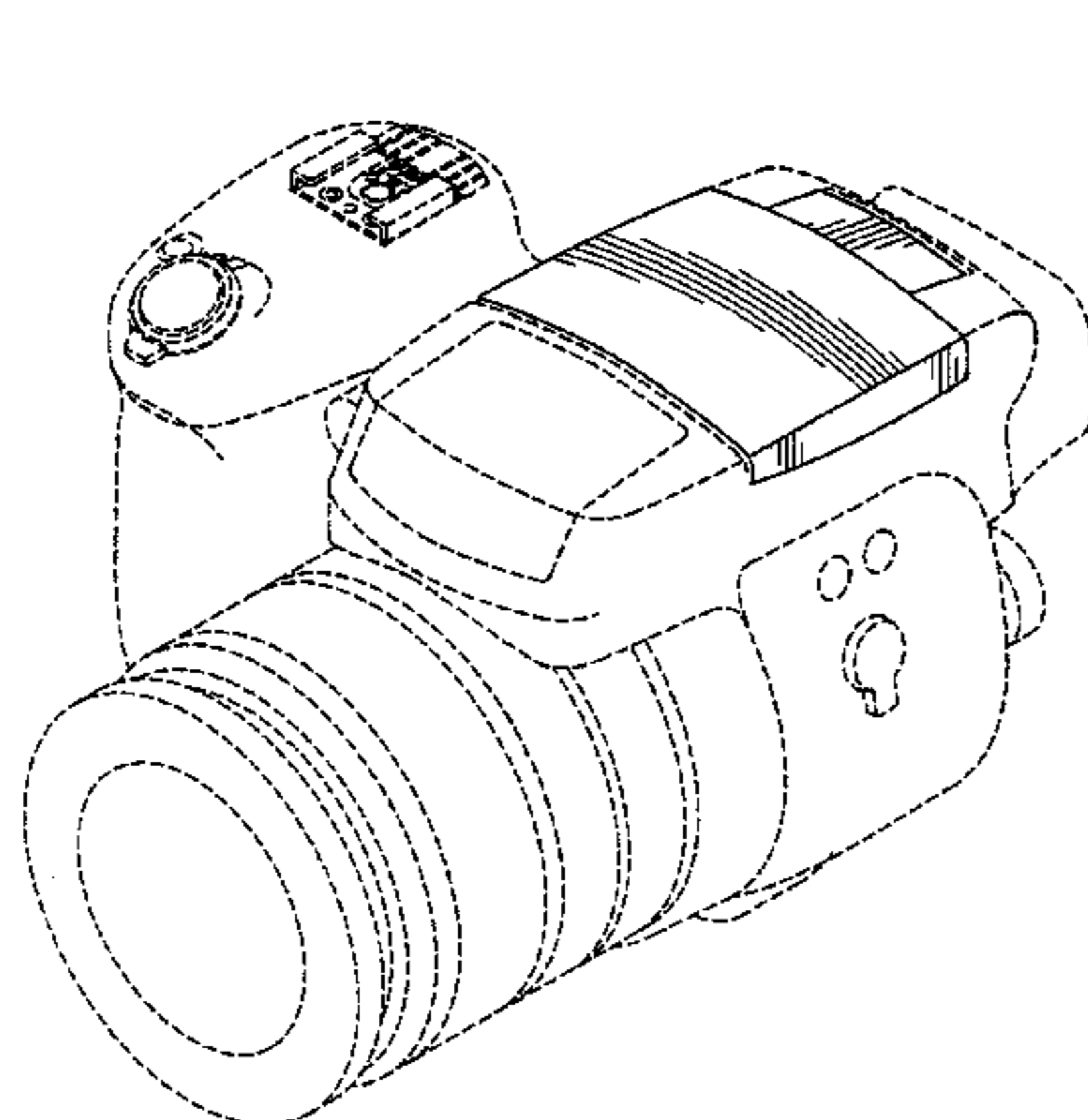
FIG. 7 is a top and right front perspective view thereof;

FIG. 8 is a top and right front perspective view thereof, with the display in an upright position and facing rearward; and,

FIG. 9 is a top and right front perspective view thereof, with the display in a retracted position and facing upward.

The portions depicted in broken lines are shown for environmental and illustrative purposes only and form no part of the claimed design.

**1 Claim, 7 Drawing Sheets**



# US D565,075 S

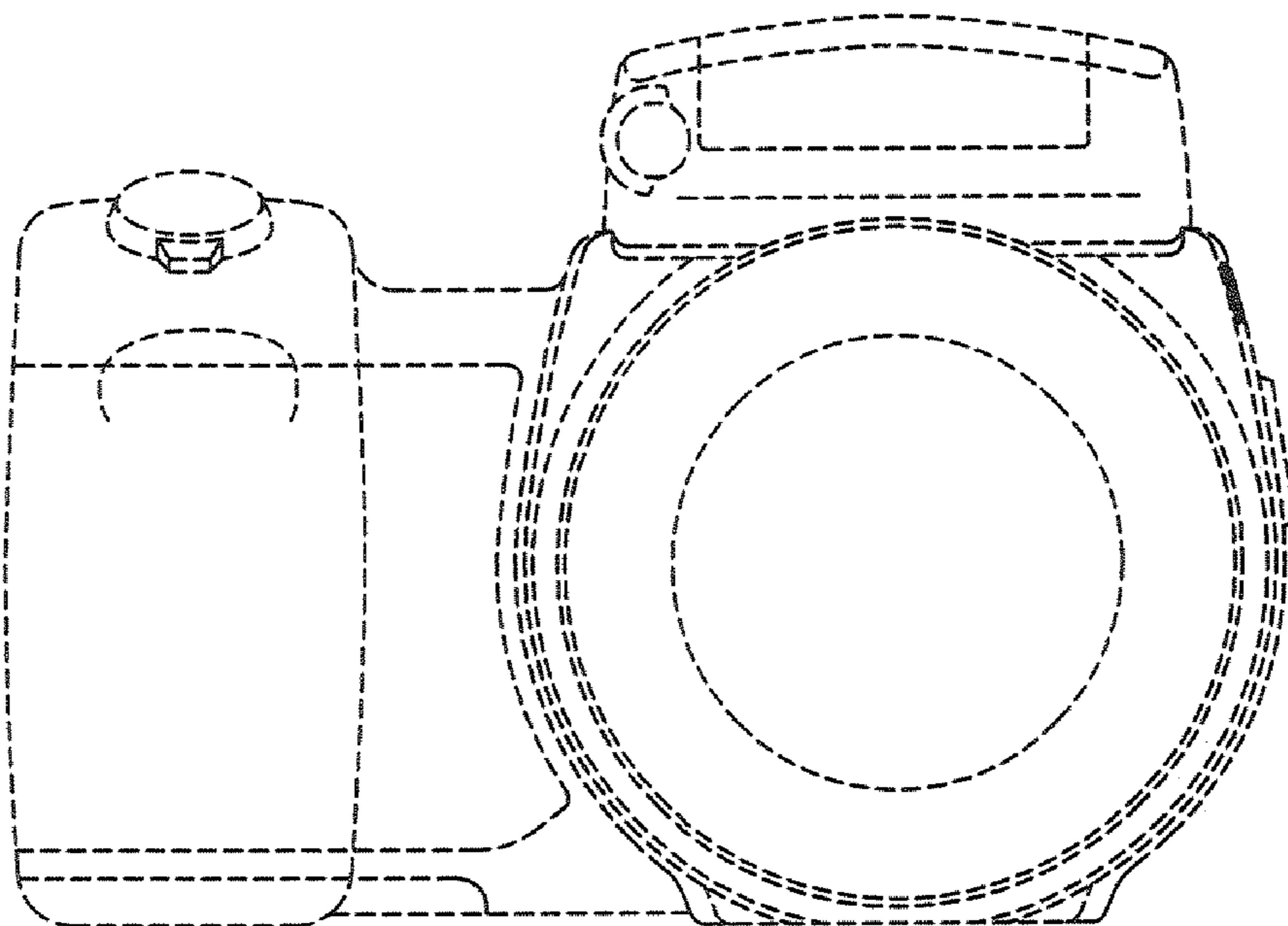
Page 2

---

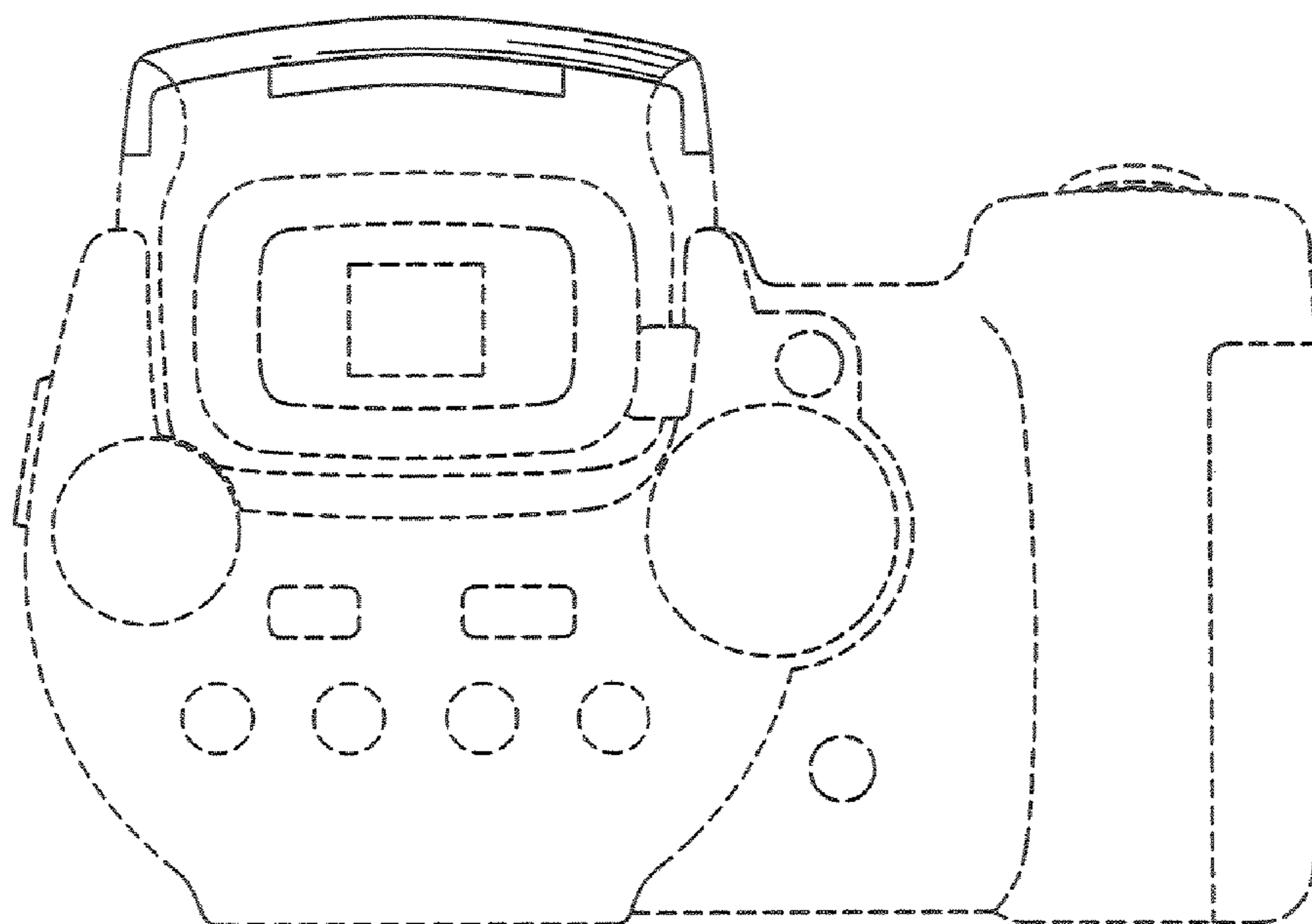
## U.S. PATENT DOCUMENTS

D356,102 S *	3/1995	Haga .....	D16/217	D486,508 S	2/2004	Shimobayashi	
D388,110 S	12/1997	Watarai et al.		D487,105 S	2/2004	Takahashi	
D404,051 S	1/1999	Ishii		D493,809 S	8/2004	Ogura	
6,033,130 A *	3/2000	Muroi et al. ....	396/448	D497,173 S	10/2004	Ogura	
D444,161 S	6/2001	Nakamura		D497,174 S	10/2004	Omino et al.	
D456,433 S	4/2002	Ito		D500,068 S	12/2004	Hayashi	
6,393,225 B1 *	5/2002	Yamada .....	396/535	D506,492 S *	6/2005	Miyashita .....	D16/219
D467,951 S	12/2002	Tanaka		D511,351 S	11/2005	Yatabe	
D474,796 S	5/2003	Matsuda		D514,610 S	2/2006	Urushihata	
D481,052 S *	10/2003	Ogura .....	D16/202	D528,580 S *	9/2006	Sumita .....	D16/206
D486,168 S	2/2004	Nakamura					

\* cited by examiner

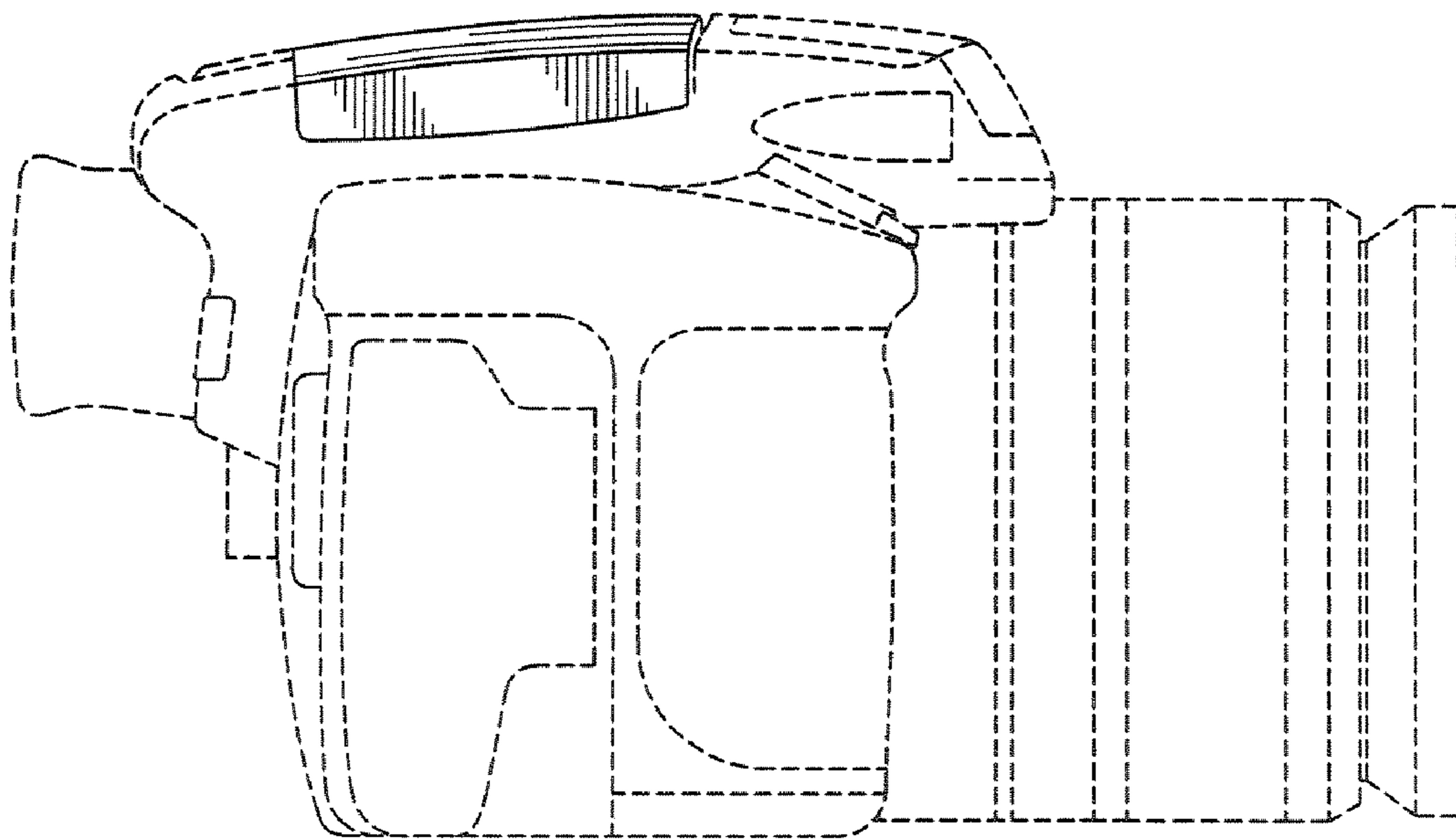


***Fig. 1***

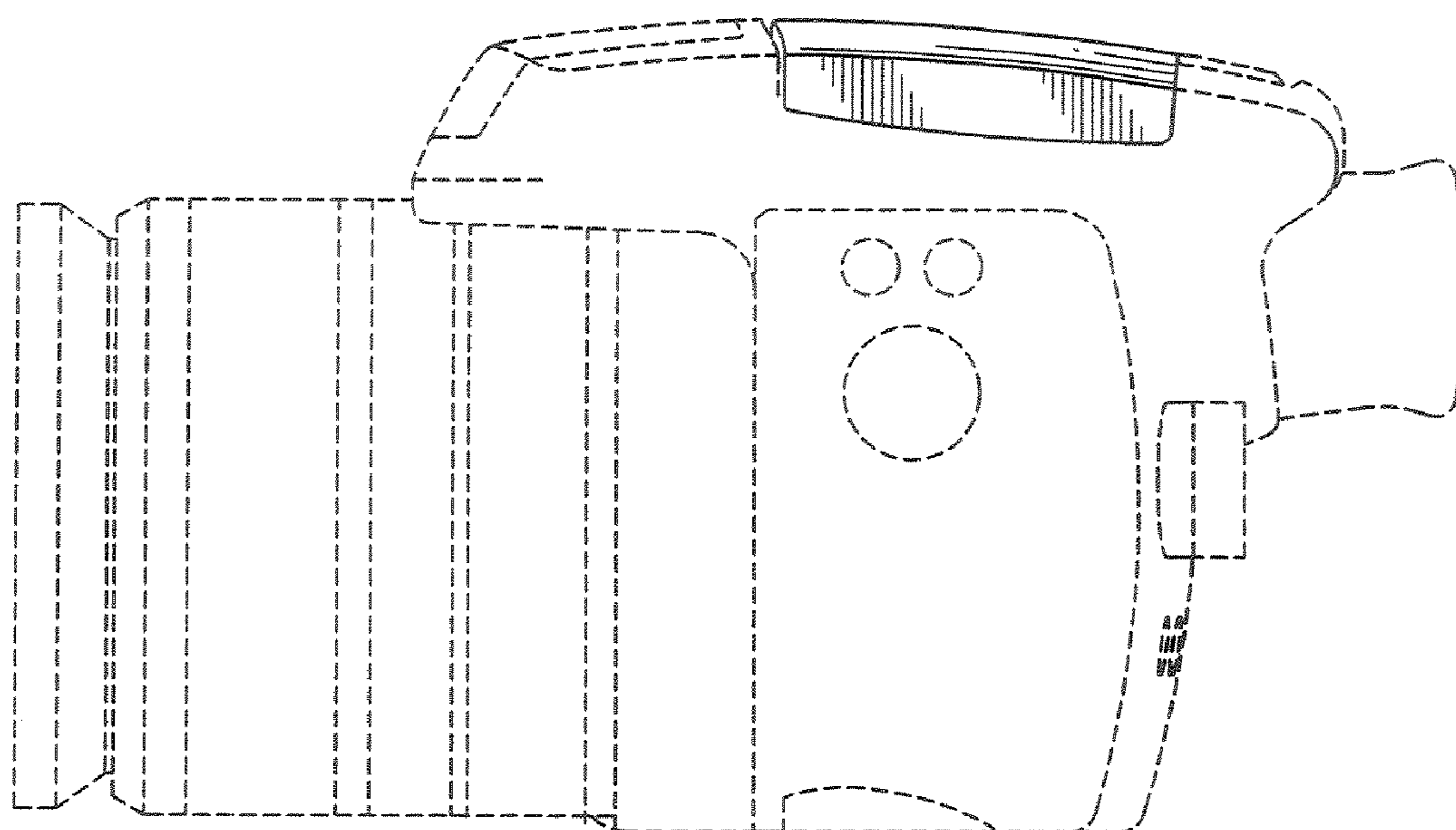


***Fig. 2***

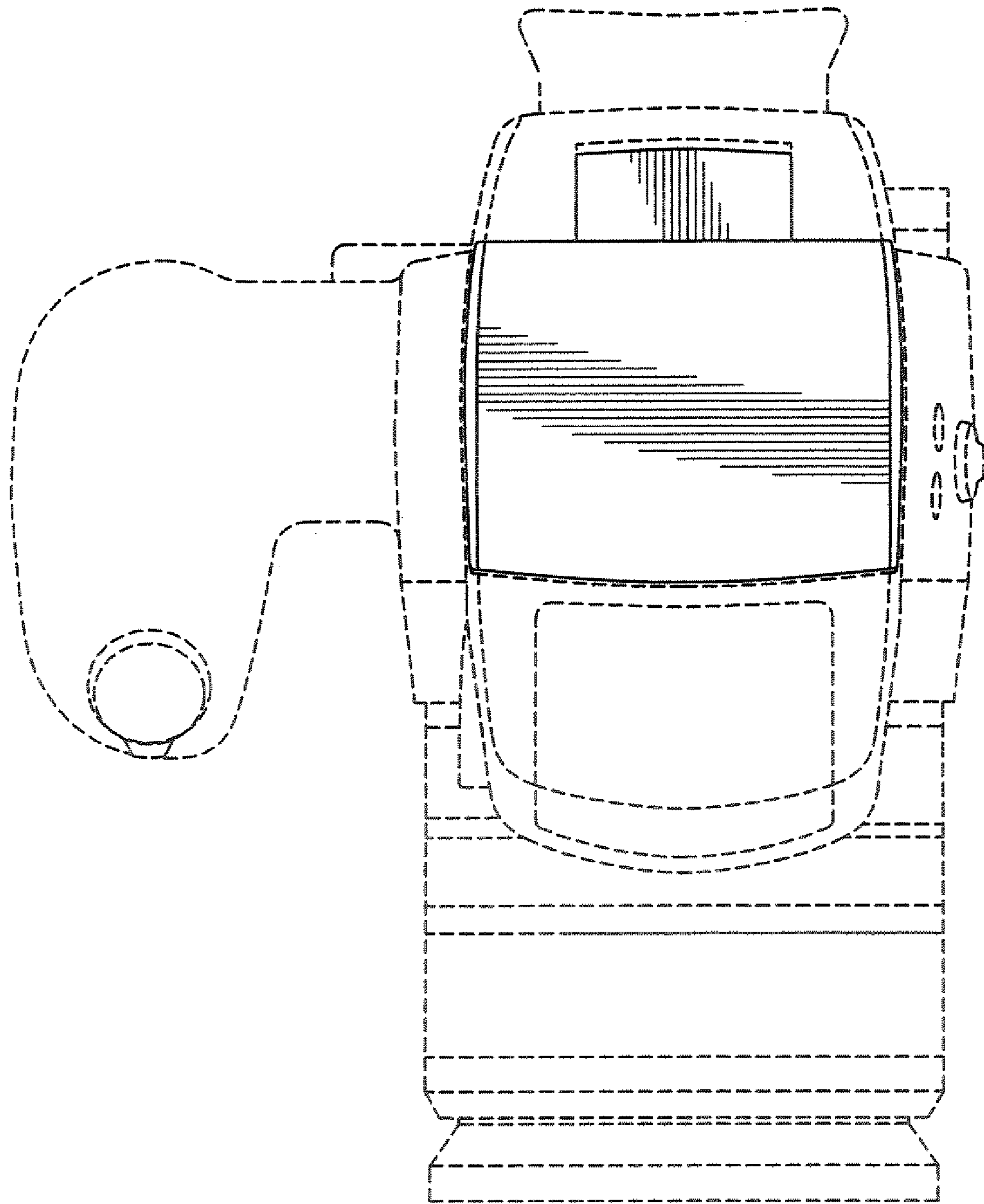




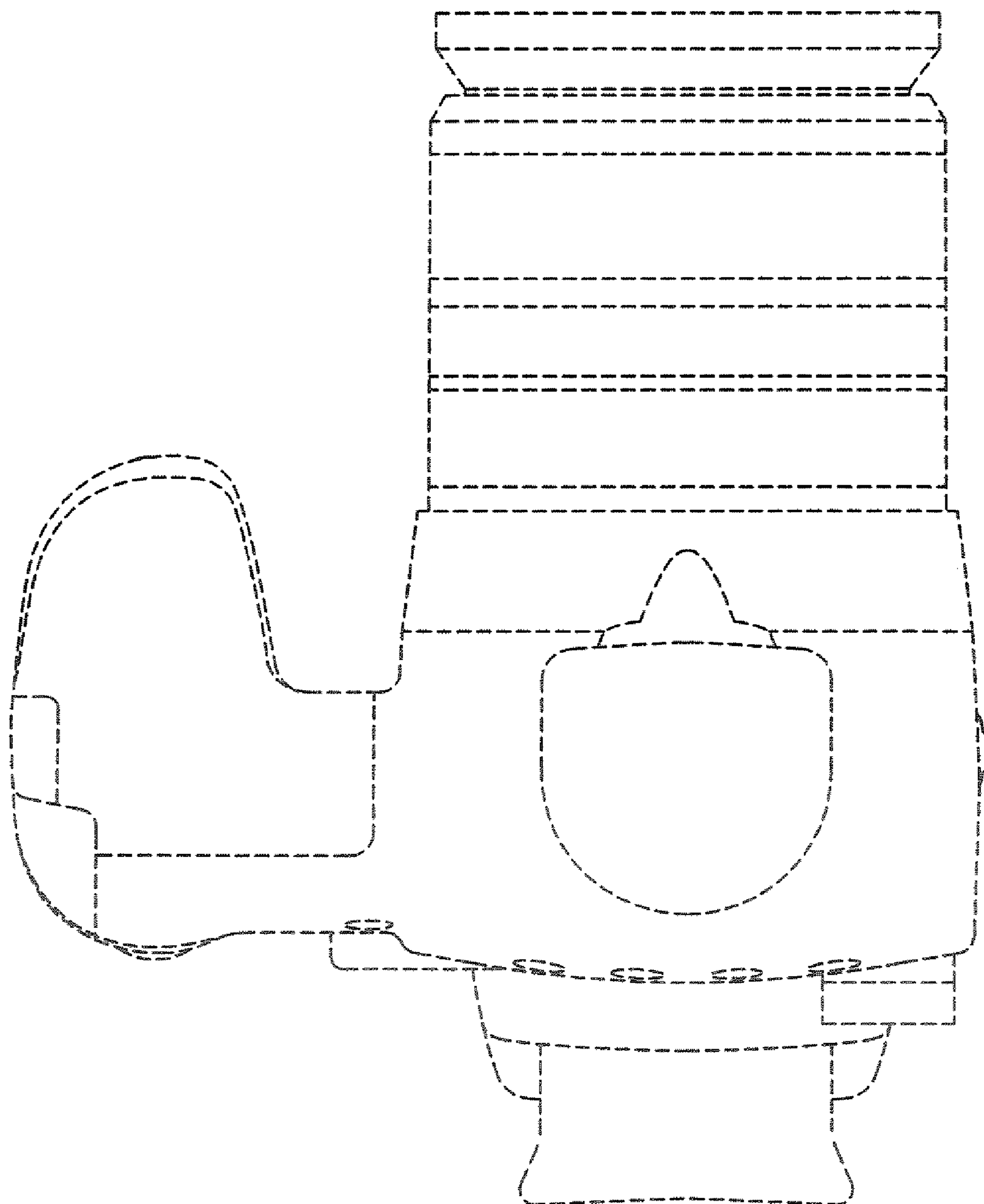
*Fig. 3*



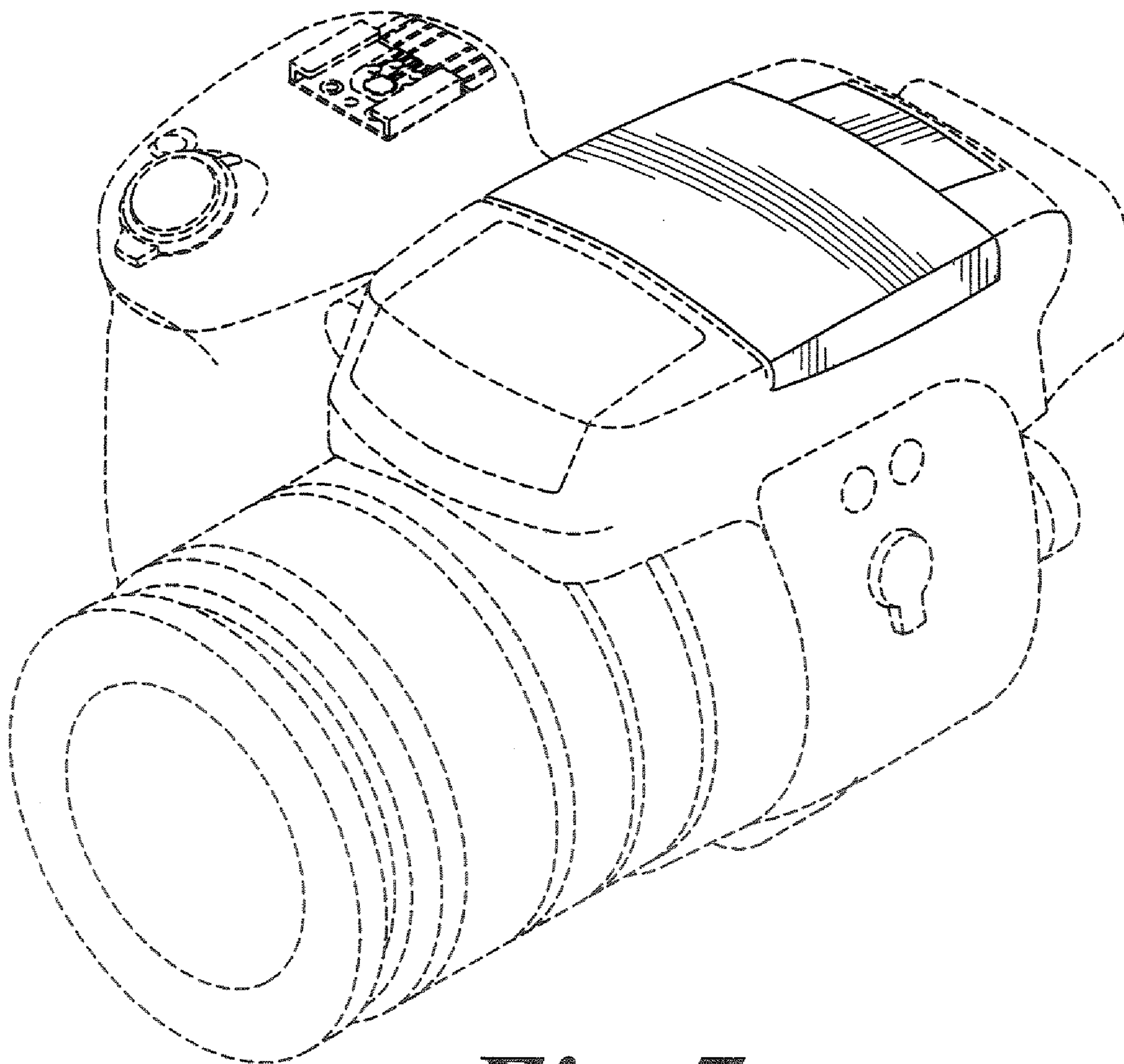
*Fig. 4*



***Fig. 5***

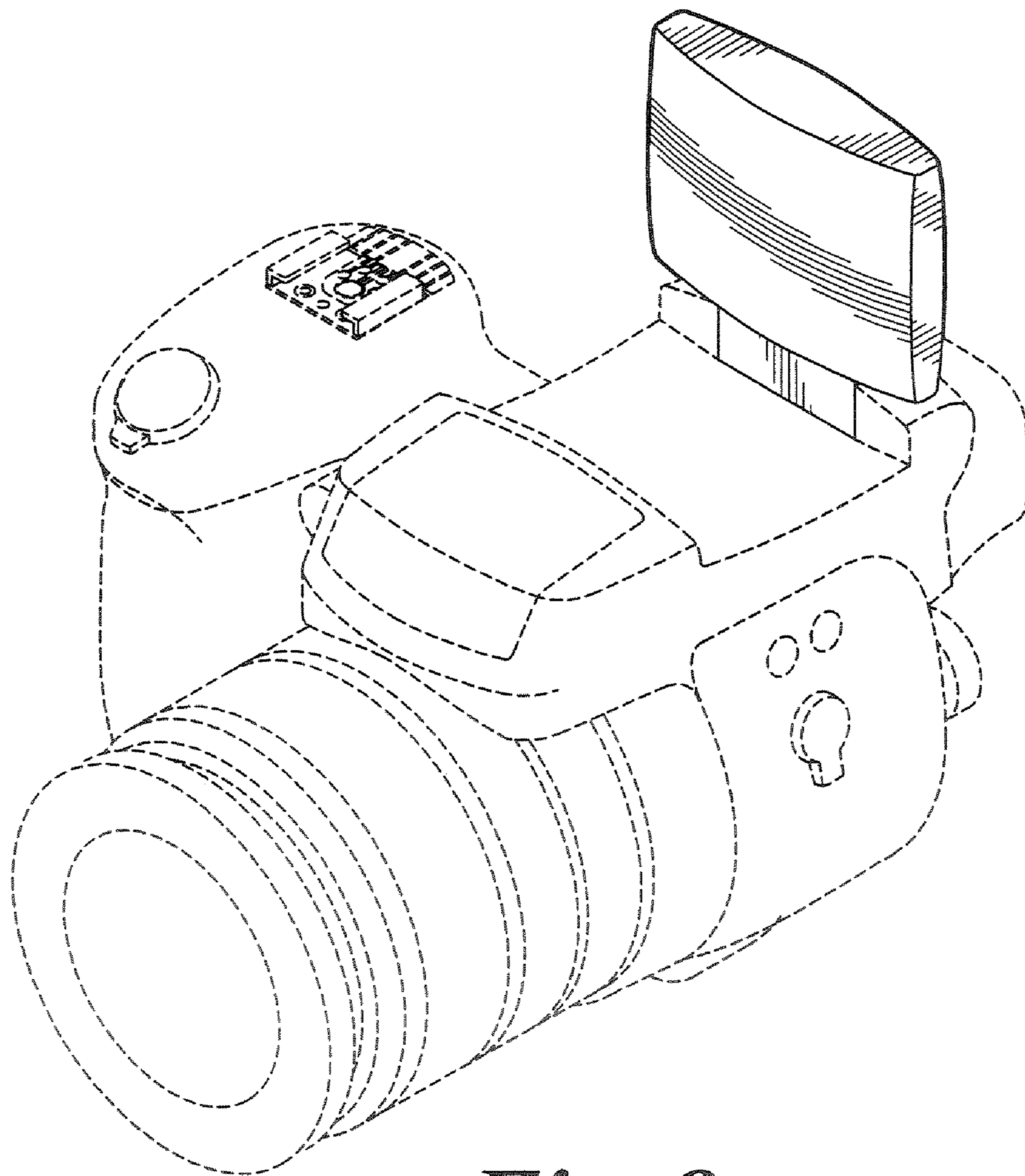


***Fig. 6***



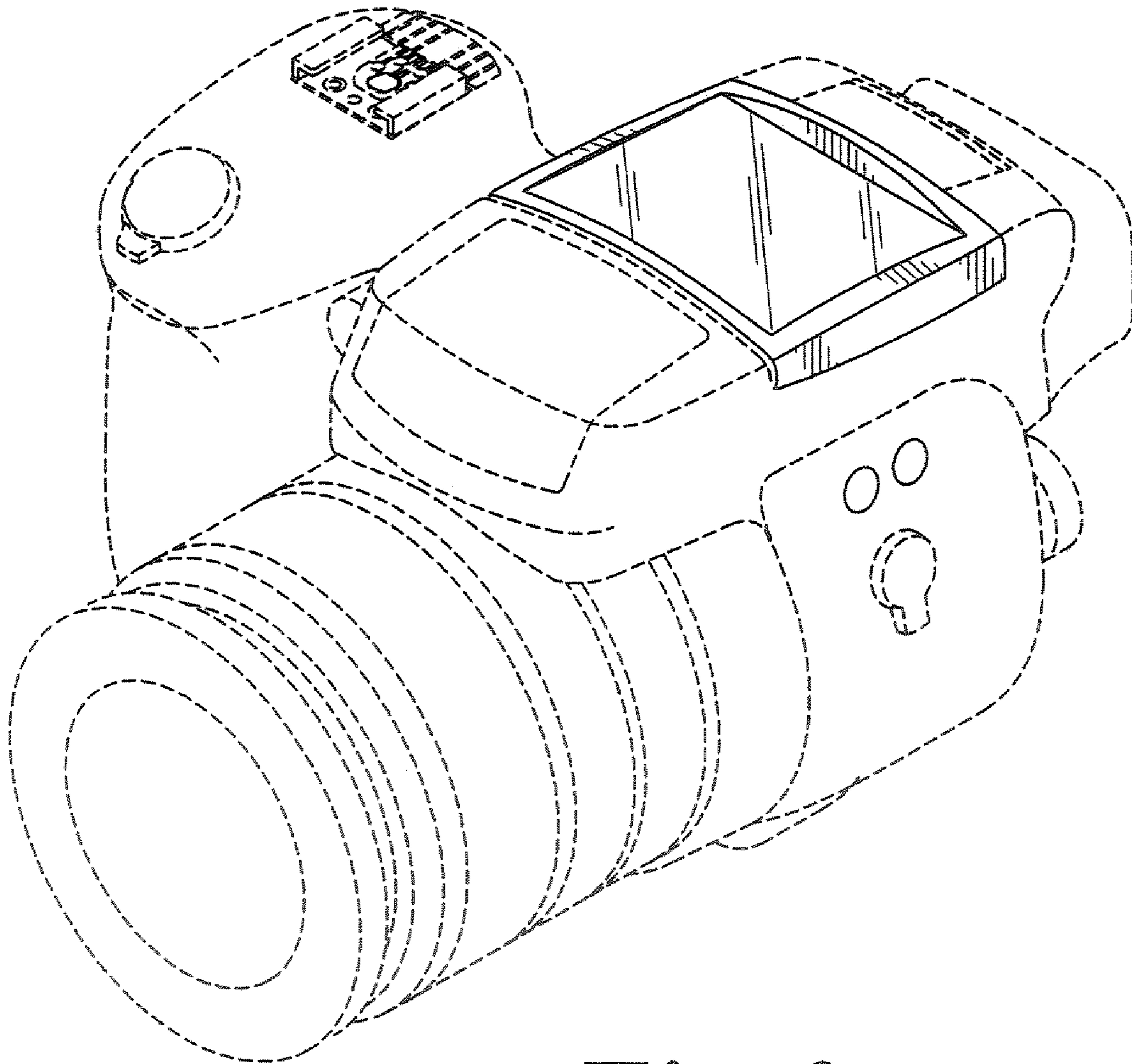
***Fig. 7***





***Fig. 8***





***Fig. 9***