



US00D565074S

(12) **United States Design Patent**  
**Shimobayashi**

(10) **Patent No.:** **US D565,074 S**  
(45) **Date of Patent:** **\*\* Mar. 25, 2008**

(54) **PORTION OF A DIGITAL CAMERA**

(75) Inventor: **Koji Shimobayashi**, Hachioji (JP)

(73) Assignee: **Olympus Imaging Corp.**, Tokyo (JP)

(\*\*) Term: **14 Years**

(21) Appl. No.: **29/271,828**

(22) Filed: **Jan. 25, 2007**

(30) **Foreign Application Priority Data**

Dec. 28, 2006 (JP) ..... 2006-036270

(51) **LOC (8) Cl.** ..... **16-05**

(52) **U.S. Cl.** ..... **D16/219; D16/202**

(58) **Field of Classification Search** ..... D16/200–206,  
D16/208, 211–212, 216–219; 348/373–376;  
358/906, 909.1; 396/281, 448, 535–541;  
D14/247, 454–455; 345/169  
See application file for complete search history.

(56) **References Cited**

**U.S. PATENT DOCUMENTS**

- D429,749 S \* 8/2000 Hatakeyama ..... D16/219
- D471,201 S \* 3/2003 Tsukuda ..... D14/455
- D478,109 S \* 8/2003 Tanaka ..... D16/219
- 6,625,401 B2 \* 9/2003 Kaedeoka ..... 396/539
- D482,379 S \* 11/2003 Utsunomiya ..... D16/219
- D486,848 S \* 2/2004 Yamamoto ..... D16/219
- D503,182 S \* 3/2005 Ogura ..... D16/202

- D532,032 S \* 11/2006 Horikiri ..... D16/219
- D541,836 S \* 5/2007 Ina et al. .... D16/219
- D542,826 S \* 5/2007 Ina et al. .... D16/219
- D546,861 S \* 7/2007 Ina et al. .... D16/219
- D547,350 S \* 7/2007 Tainaka ..... D16/219

\* cited by examiner

*Primary Examiner*—Ian Simmons

*Assistant Examiner*—Wan Laymon

(74) *Attorney, Agent, or Firm*—Straub and Pokotylo; John C. Pokotylo

(57) **CLAIM**

The ornamental design for a portion of a digital camera, as shown and described.

**DESCRIPTION**

FIG. 1 is a rear, top and left side perspective view of a portion of a digital camera showing my new design;

FIG. 2 is a rear elevational view thereof;

FIG. 3 is a front elevational view thereof;

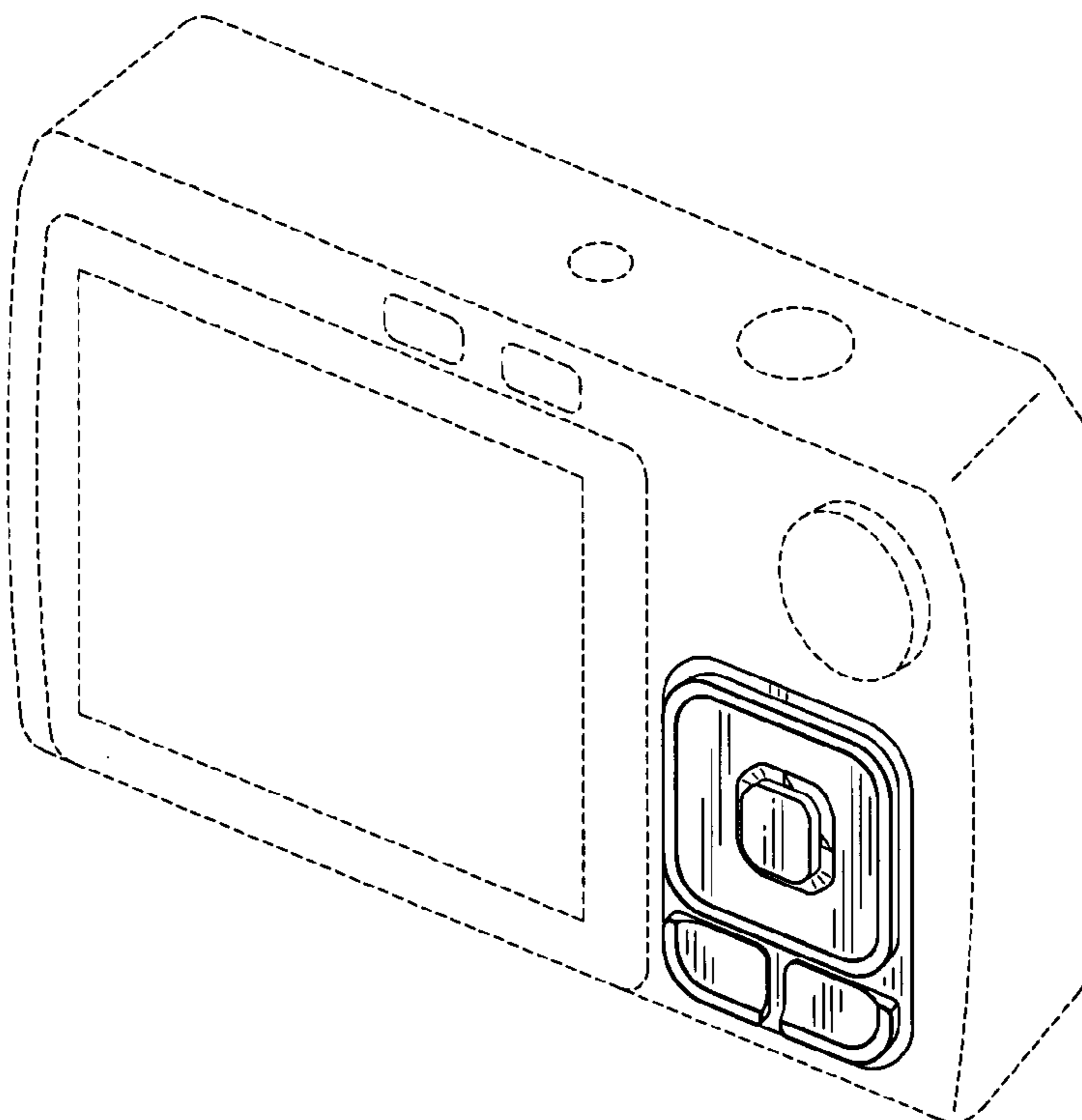
FIG. 4 is a top plan view thereof;

FIG. 5 is a bottom plan view thereof; and,

FIG. 6 is a right side elevational view thereof; and the opposite side being a mirror image thereof.

The broken lines are for illustrative purposes only and form no part of the claimed design.

**1 Claim, 4 Drawing Sheets**



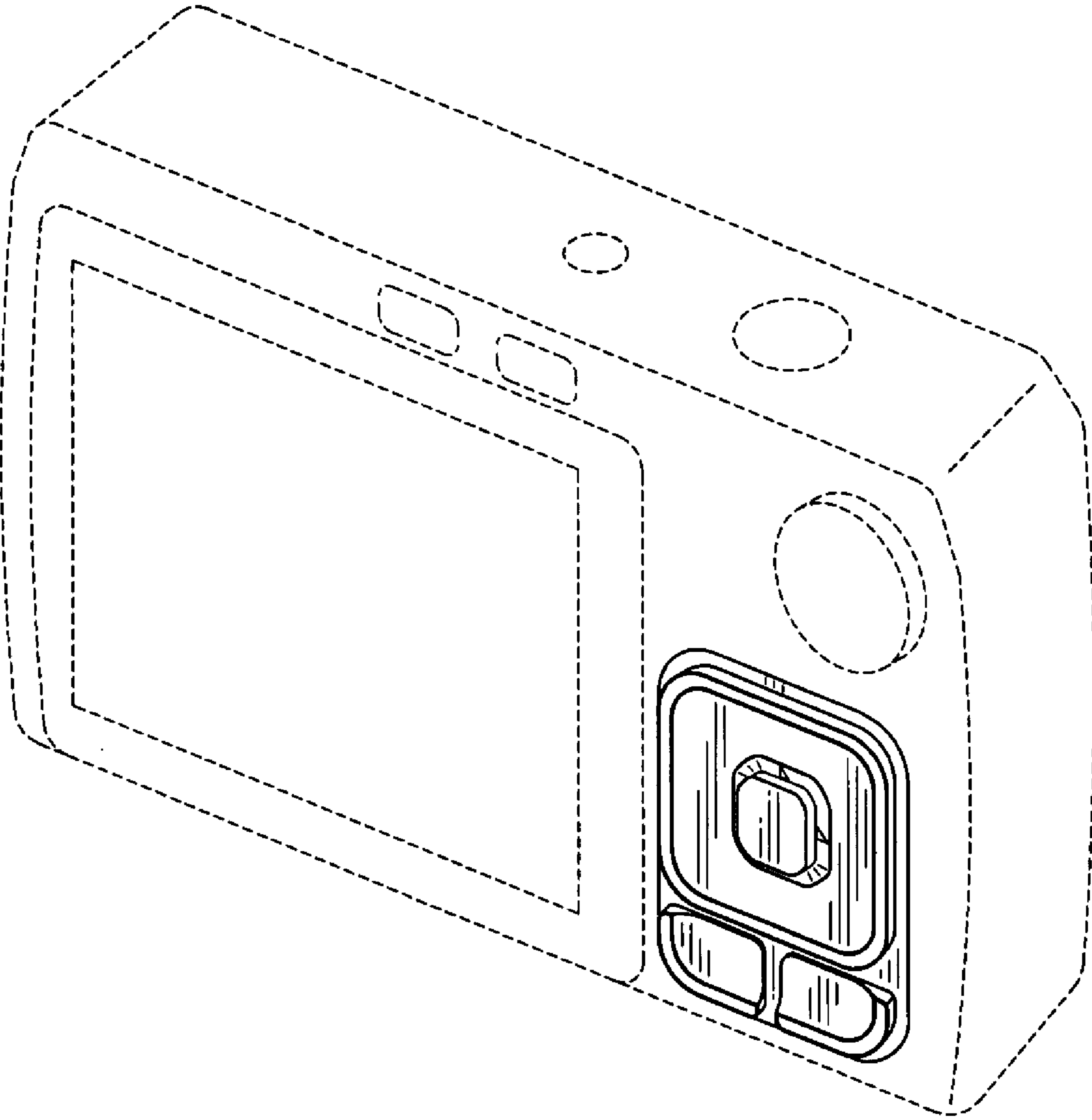


FIG. 1

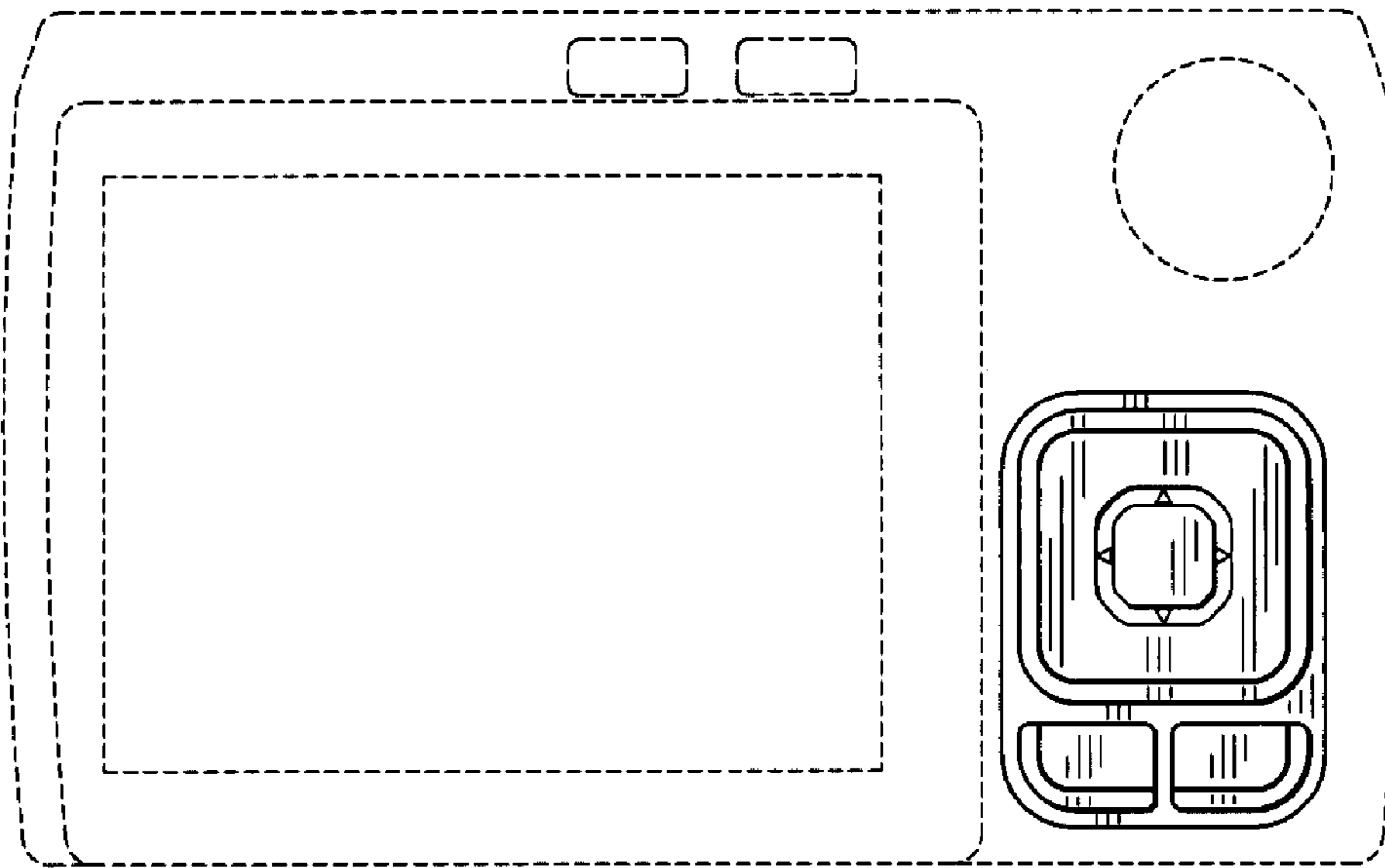


FIG. 2

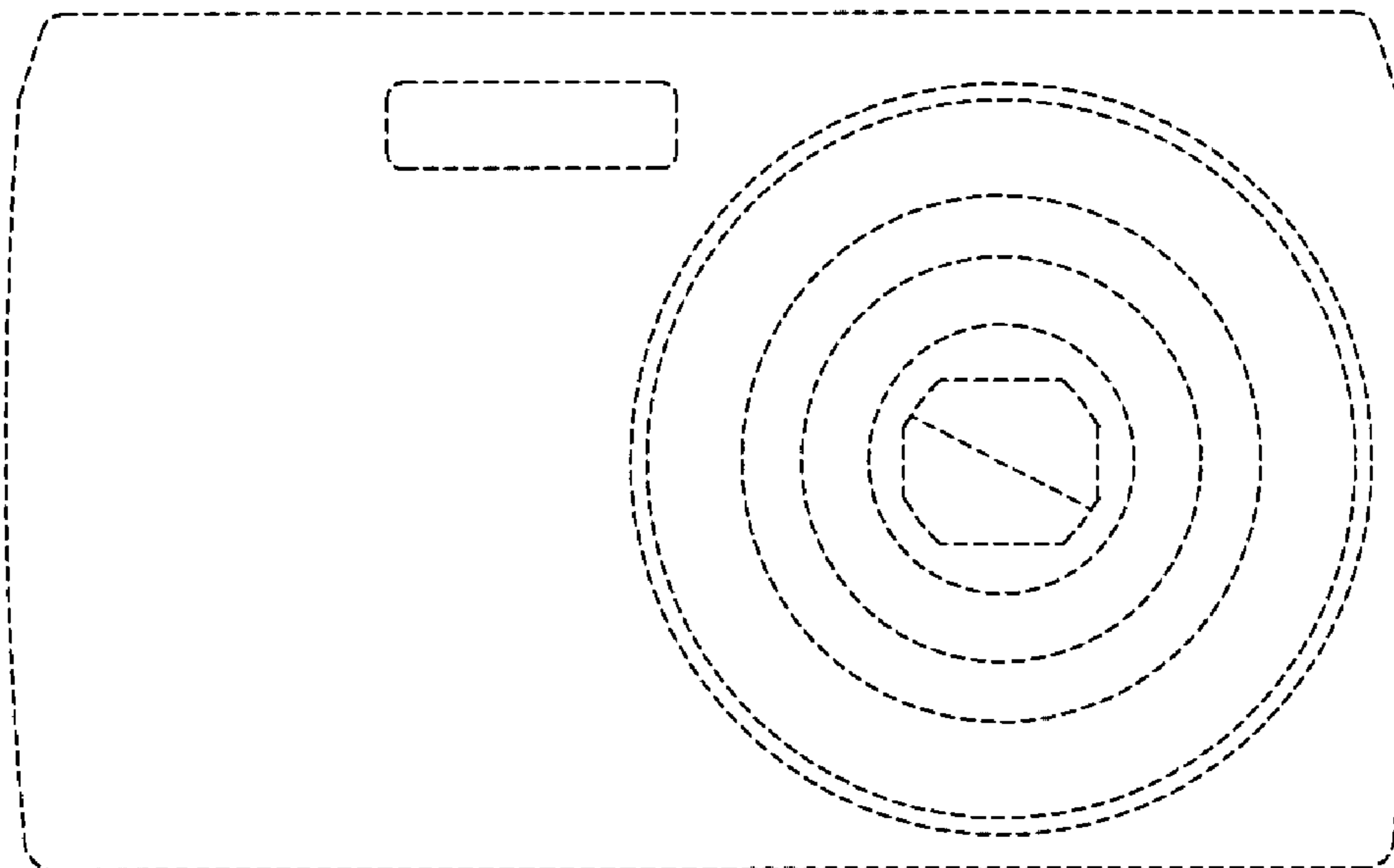


FIG. 3

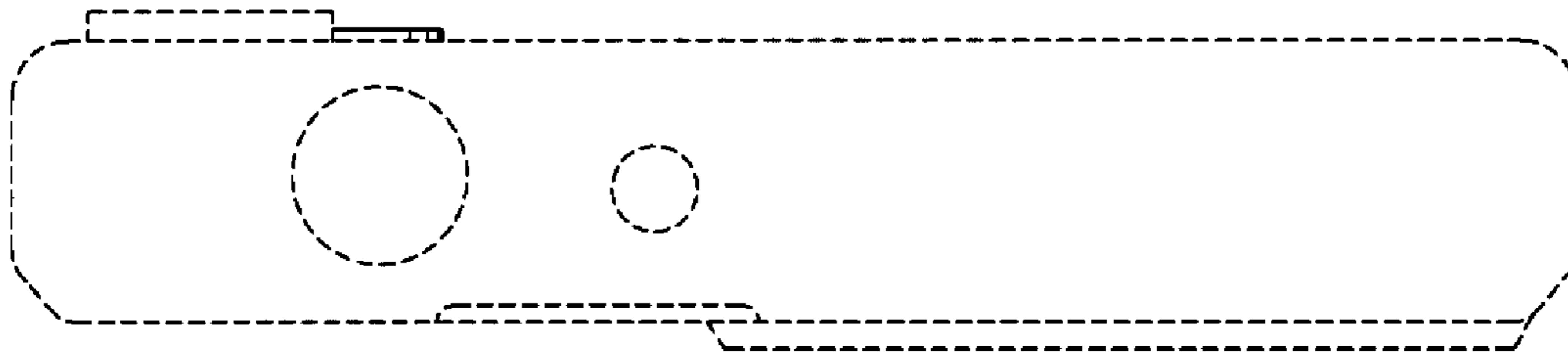


FIG. 4

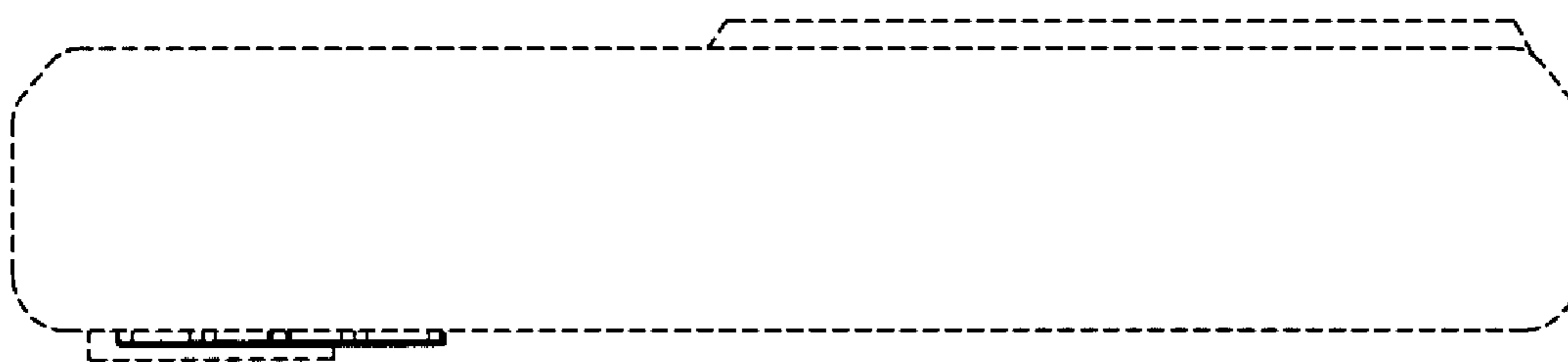


FIG. 5

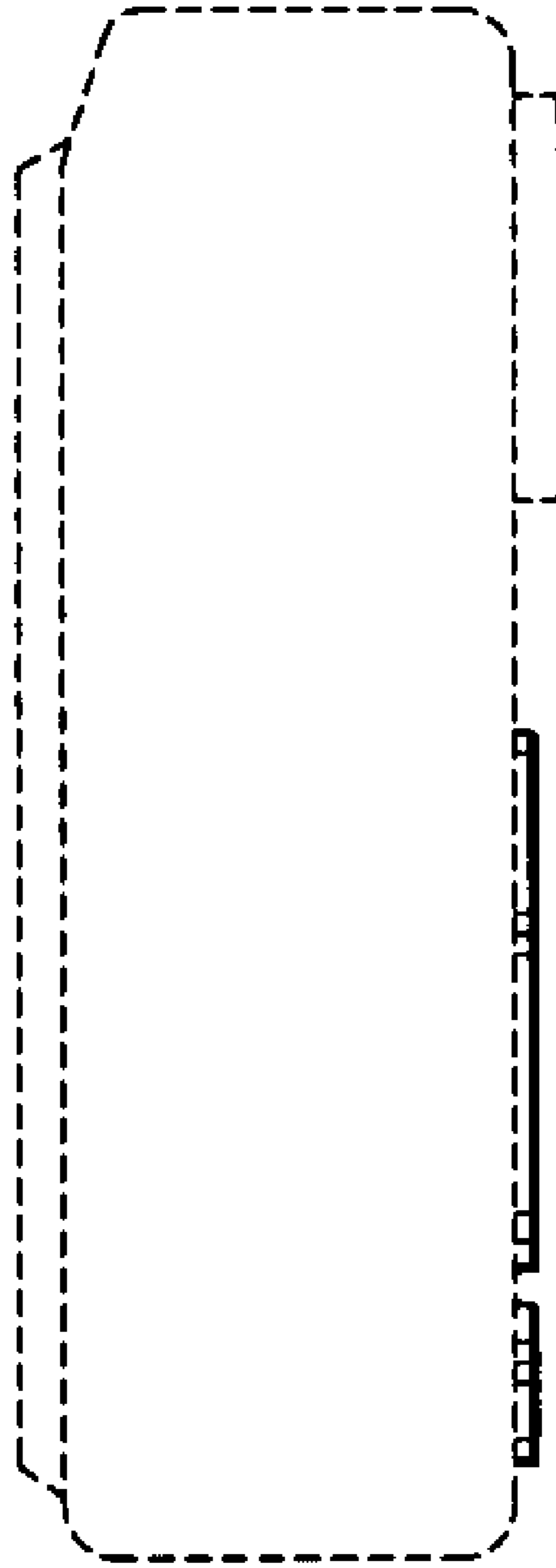


FIG. 6