



US00D565073S

(12) **United States Design Patent**
Jeon

(10) **Patent No.:** **US D565,073 S**
(45) **Date of Patent:** **** Mar. 25, 2008**

(54) **CCTV CAMERA**

(75) Inventor: **Byung Lok Jeon**, Seoul (KR)

(73) Assignee: **LG Electronics Inc.**, Seoul (KR)

(**) Term: **14 Years**

(21) Appl. No.: **29/272,293**

(22) Filed: **Feb. 6, 2007**

(30) **Foreign Application Priority Data**

Aug. 7, 2006 (KR) 30-2006-0032689

(51) **LOC (8) Cl.** **16-01**

(52) **U.S. Cl.** **D16/203**

(58) **Field of Classification Search** D16/200–205,
D16/208, 218; 348/143, 151, 373–376; 358/906;
396/427, 535, 536–541

See application file for complete search history.

(56) **References Cited**

U.S. PATENT DOCUMENTS

4,283,743 A * 8/1981 Kaiser 348/373
4,394,692 A * 7/1983 Randmae et al. 348/374
D366,271 S * 1/1996 Hasegawa D16/203
D409,641 S * 5/1999 Uehara D16/203
D410,936 S * 6/1999 Isono D16/202

D446,801 S * 8/2001 Adachi et al. D16/203
D470,520 S * 2/2003 Yamakawa et al. D16/203
D489,744 S * 5/2004 Muto D16/203
D522,035 S * 5/2006 Muto D16/203
D529,063 S * 9/2006 Cheng D16/203
D551,275 S * 9/2007 Kim D16/203

* cited by examiner

Primary Examiner—Adir Aronovich

(74) *Attorney, Agent, or Firm*—Birch, Stewart, Kolasch & Birch, LLP

(57) **CLAIM**

I claim the ornamental design for CCTV camera, as shown and described.

DESCRIPTION

FIG. 1 is a perspective view of CCTV camera showing the new design:

FIG. 2 is a front elevation view thereof;

FIG. 3 is a rear elevation view thereof;

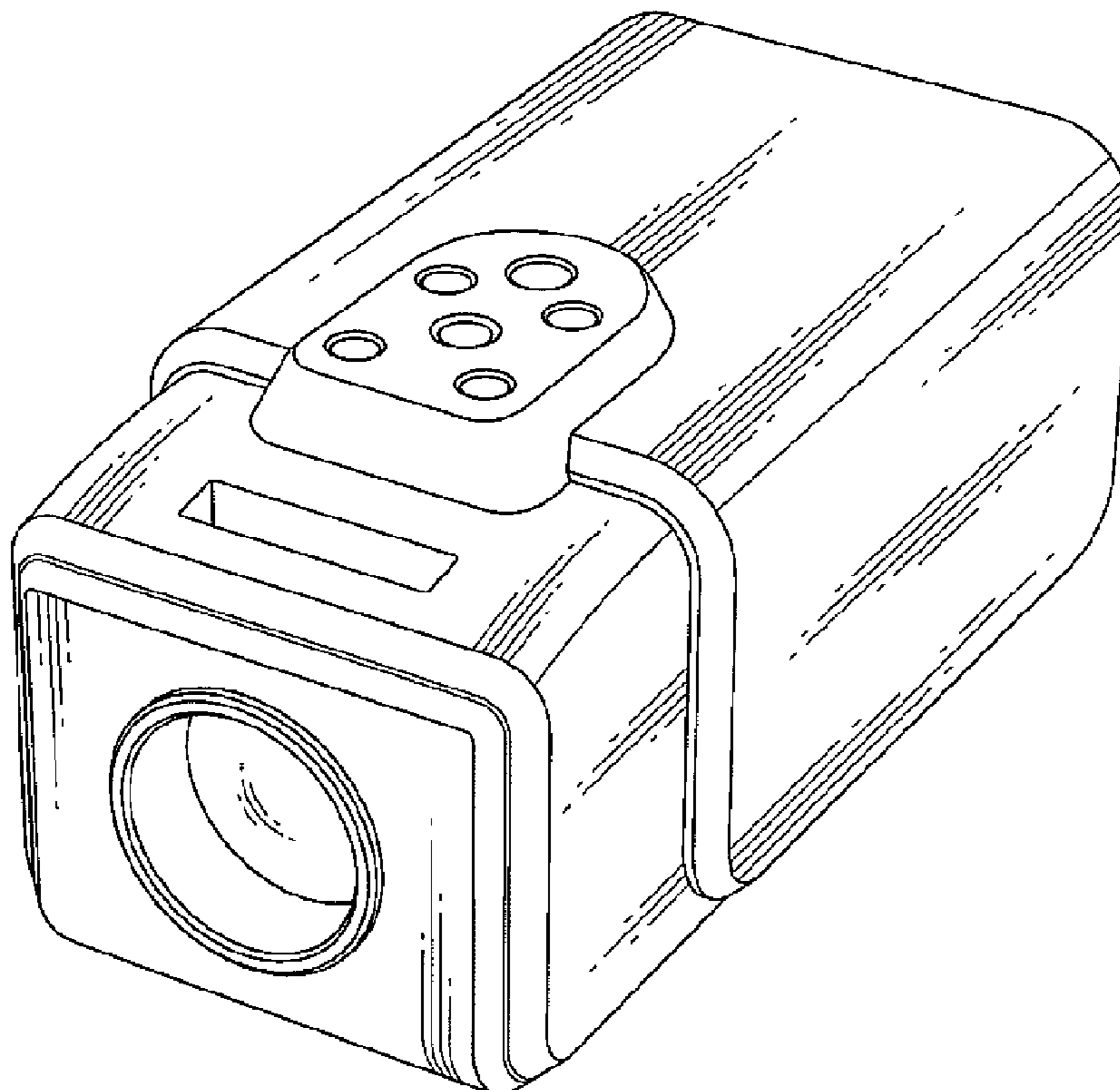
FIG. 4 is a left-side elevation view thereof;

FIG. 5 is a right-side elevation view thereof;

FIG. 6 is a top plan view thereof; and,

FIG. 7 is a bottom plan view thereof.

1 Claim, 5 Drawing Sheets



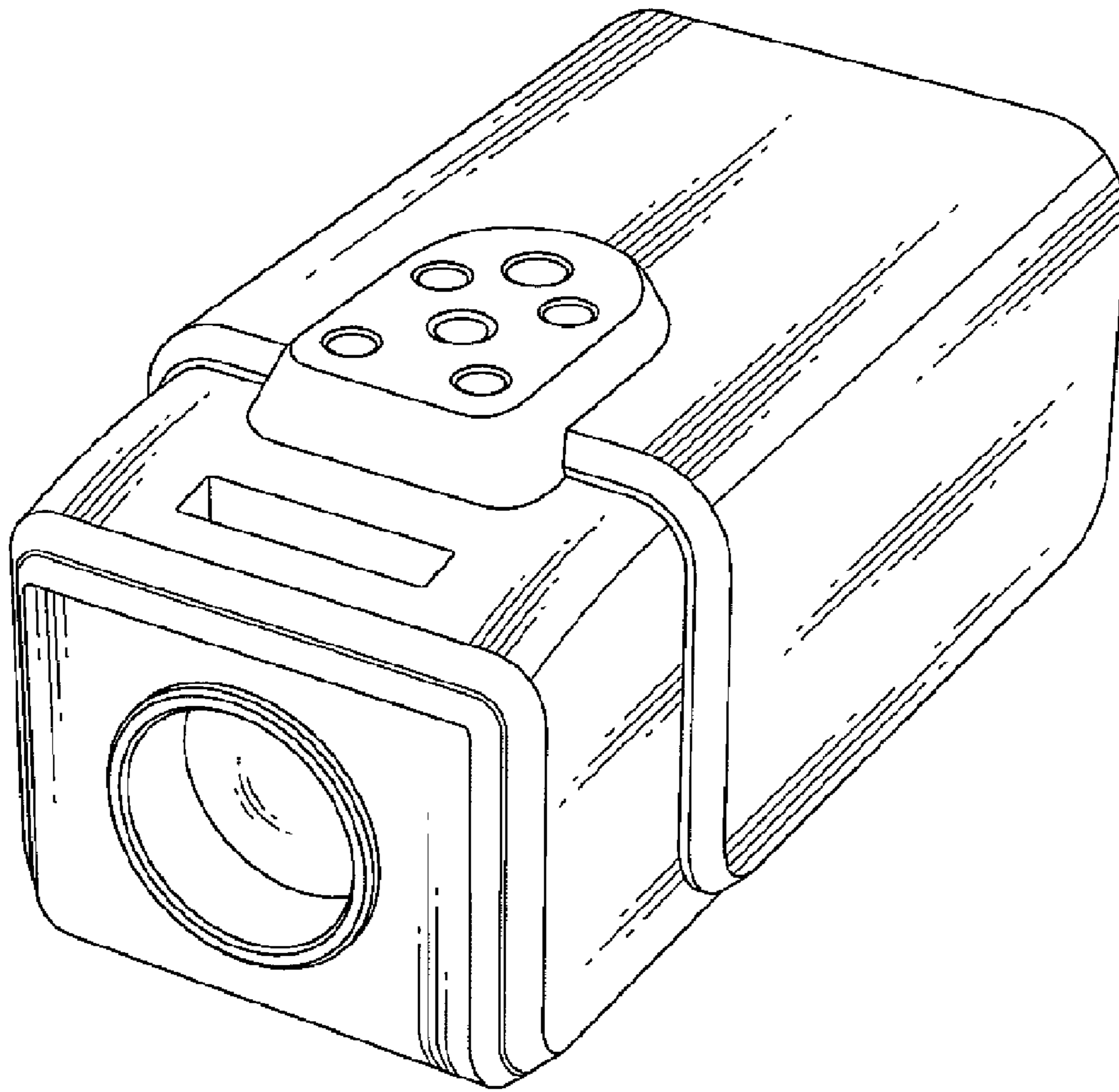


FIG. 1

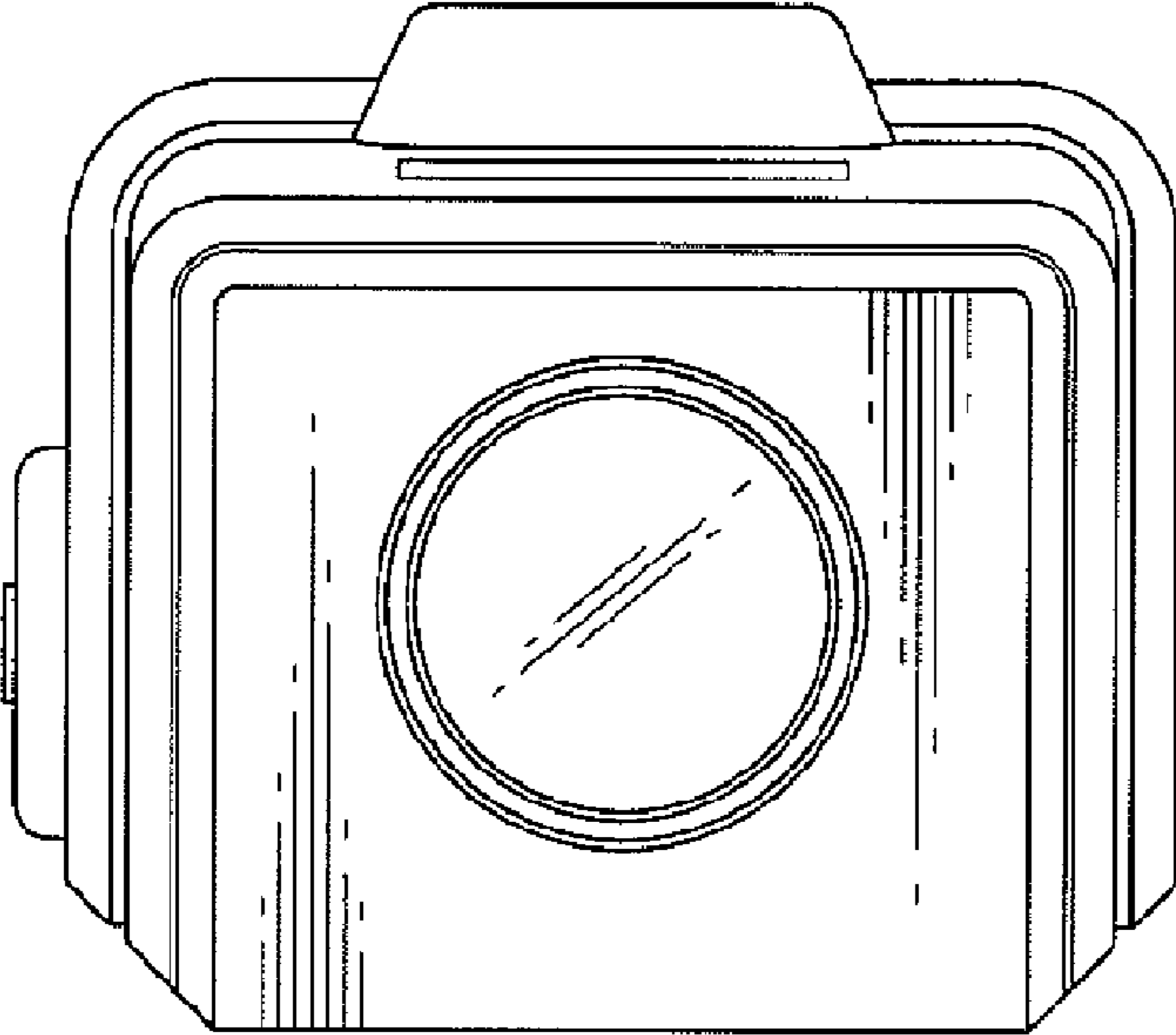


FIG. 2

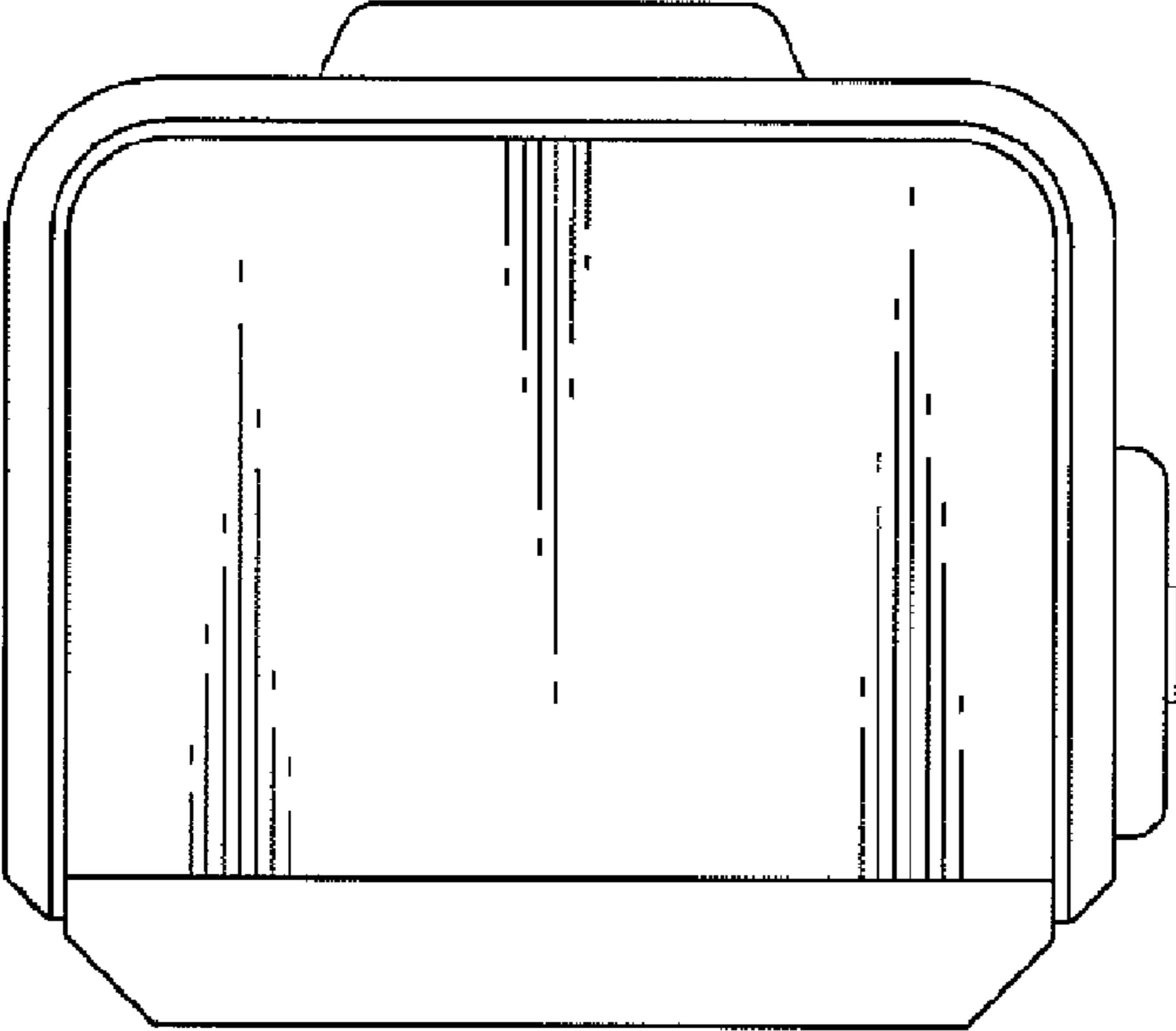


FIG. 3

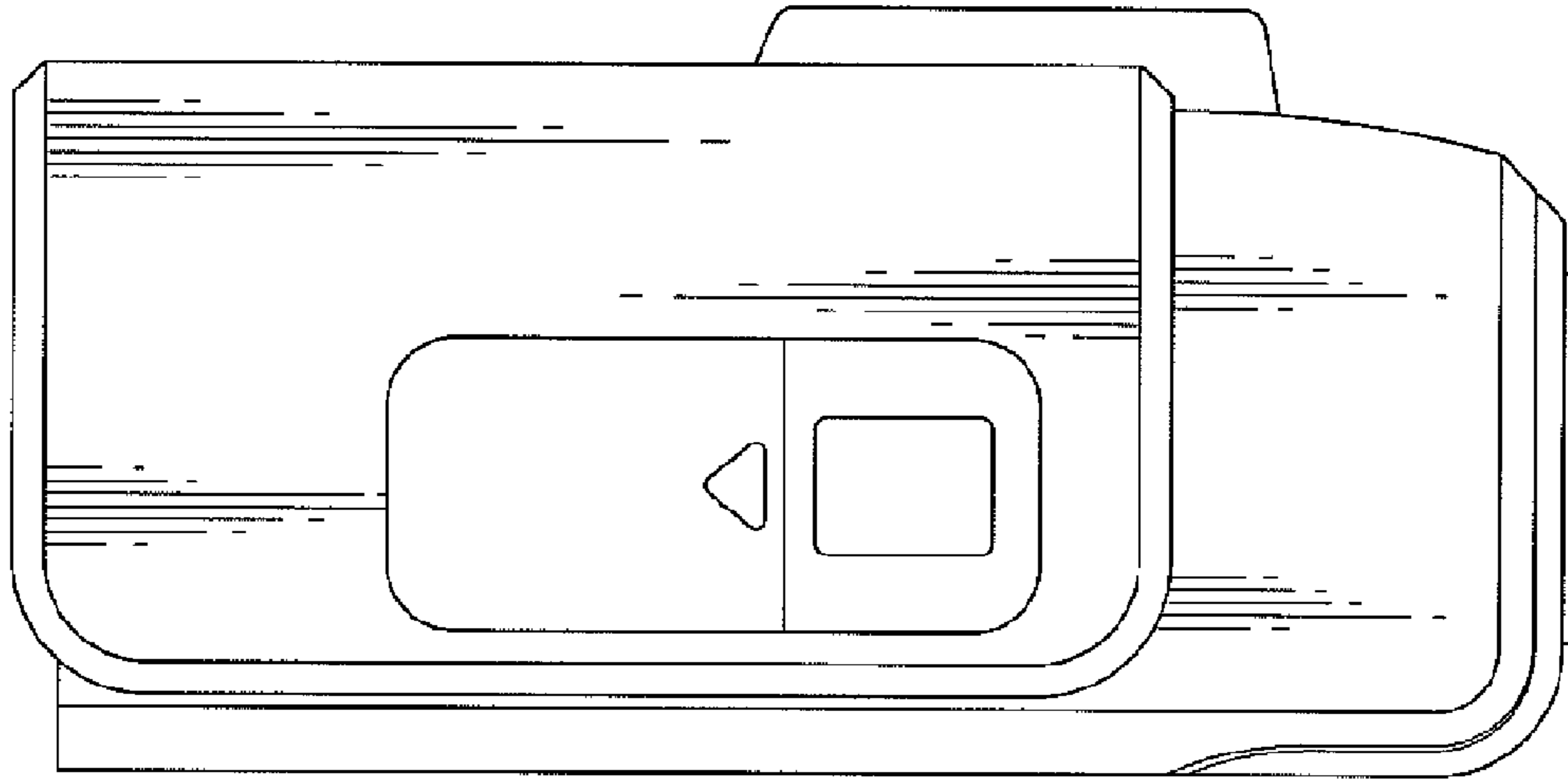


FIG.4

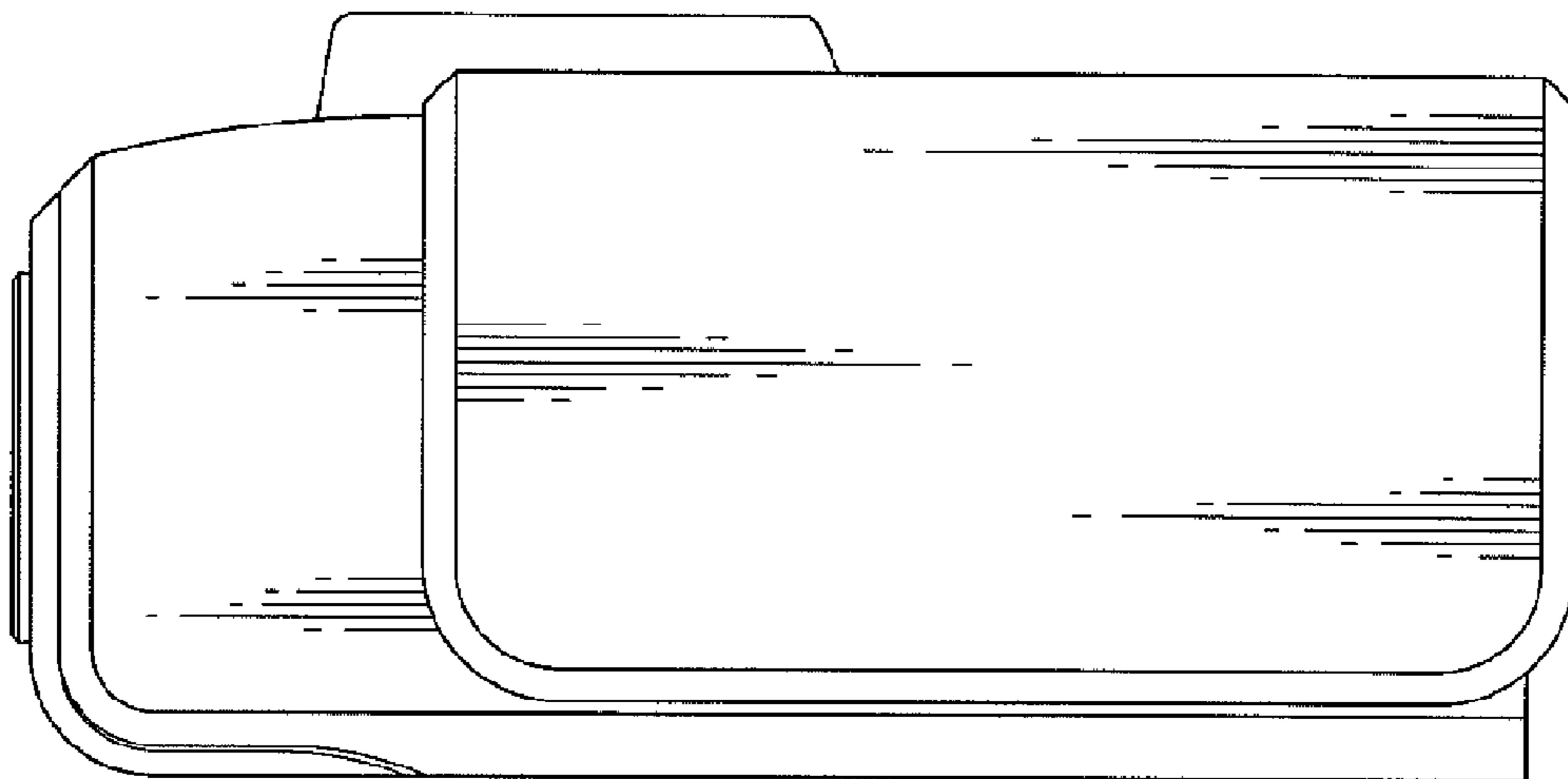


FIG.5

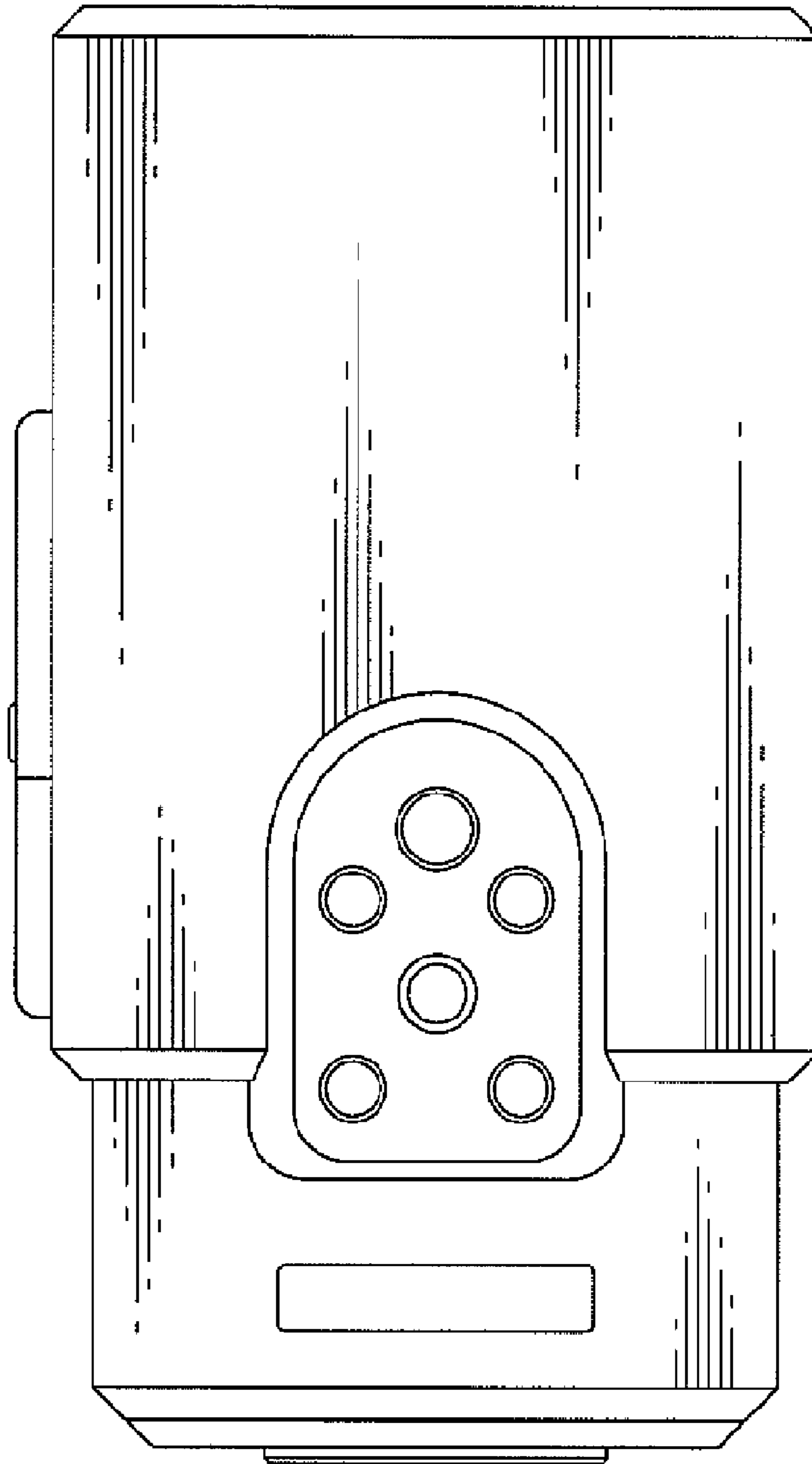


FIG.6

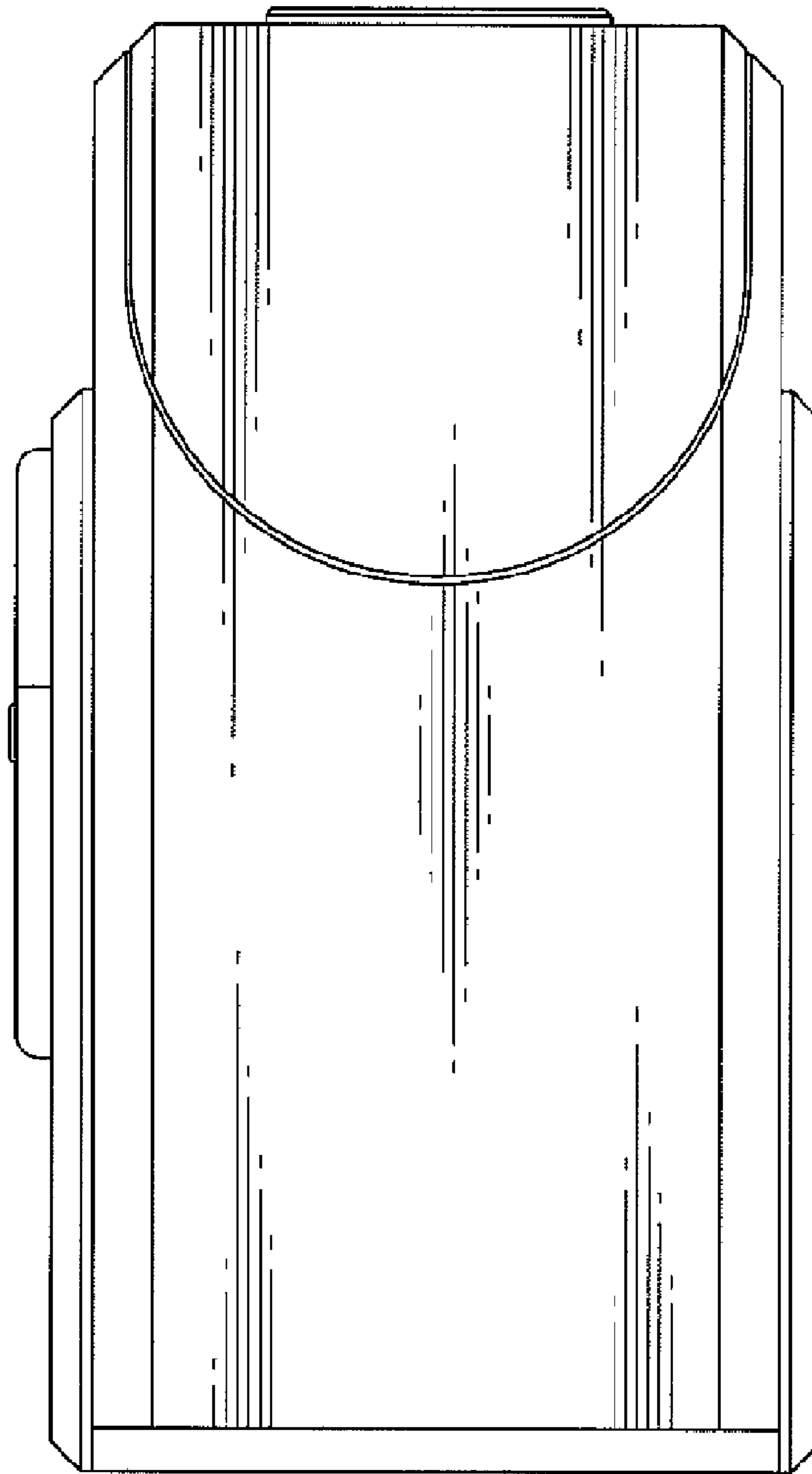


FIG. 7