



US00D565071S

(12) **United States Design Patent**  
**Ishibashi et al.**

(10) **Patent No.:** **US D565,071 S**  
(45) **Date of Patent:** **\*\* Mar. 25, 2008**

(54) **VIDEO CAMERA WITH RECORDER AND PLAYER**

(75) Inventors: **Atsushi Ishibashi**, Tokorozawa (JP);  
**Shinichi Morita**, Kokubunji (JP);  
**Minoru Ikeda**, Inagi (JP); **Shinichi Ishikuro**, Yokohama (JP)

(73) Assignee: **Hitachi, Ltd.**, Tokyo (JP)

(\*\*) Term: **14 Years**

(21) Appl. No.: **29/276,944**

(22) Filed: **Feb. 9, 2007**

(30) **Foreign Application Priority Data**

Aug. 31, 2006 (JP) ..... 2006-023140

(51) **LOC (8) Cl.** ..... **16-01**

(52) **U.S. Cl.** ..... **D16/202**

(58) **Field of Classification Search** ..... D14/168;  
D16/200-206, 208, 218; 348/373-376; 358/906,  
358/909.1; 396/535-541

See application file for complete search history.

(56) **References Cited**

**U.S. PATENT DOCUMENTS**

D491,967 S \* 6/2004 Kojima et al. .... D16/202  
D505,438 S \* 5/2005 Kojima et al. .... D16/202  
D515,123 S \* 2/2006 Kojima et al. .... D16/202  
D517,107 S \* 3/2006 Kojima et al. .... D16/202

D549,260 S \* 8/2007 Kojima et al. .... D16/202  
2005/0140823 A1 \* 6/2005 Ishikuro ..... 348/375

\* cited by examiner

*Primary Examiner*—Adir Aronovich

(74) *Attorney, Agent, or Firm*—Antonelli, Terry, Stout & Kraus, LLP.

(57) **CLAIM**

The ornamental design for a video camera with recorder and player, as shown and described.

**DESCRIPTION**

FIG. 1 is a front, top and right side perspective view of video camera with recorder and player showing our new design;

FIG. 2 is a front elevational view thereof;

FIG. 3 is a rear elevational view thereof;

FIG. 4 is a right side elevational view thereof;

FIG. 5 is a left side elevational view thereof;

FIG. 6 is a top plan view thereof;

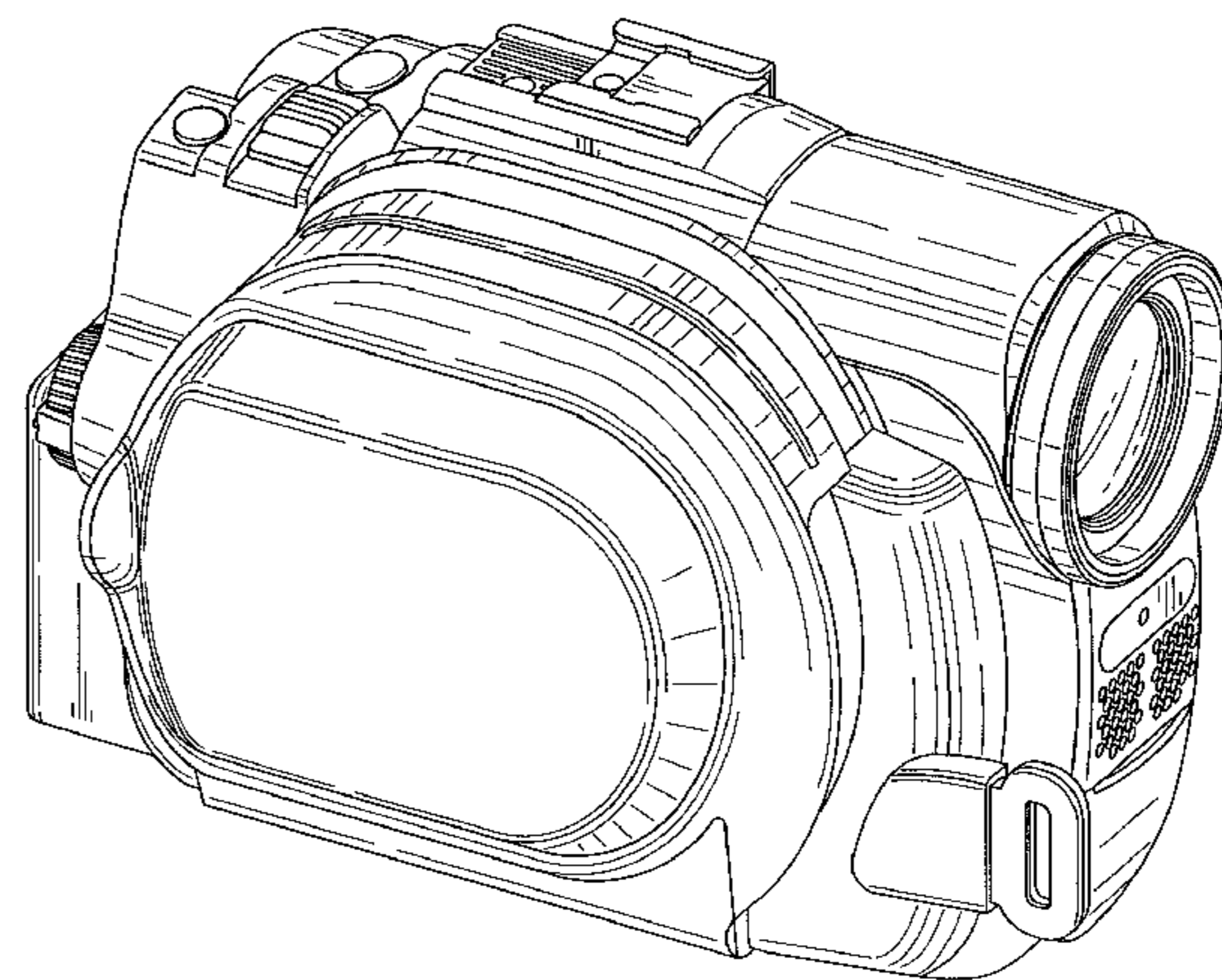
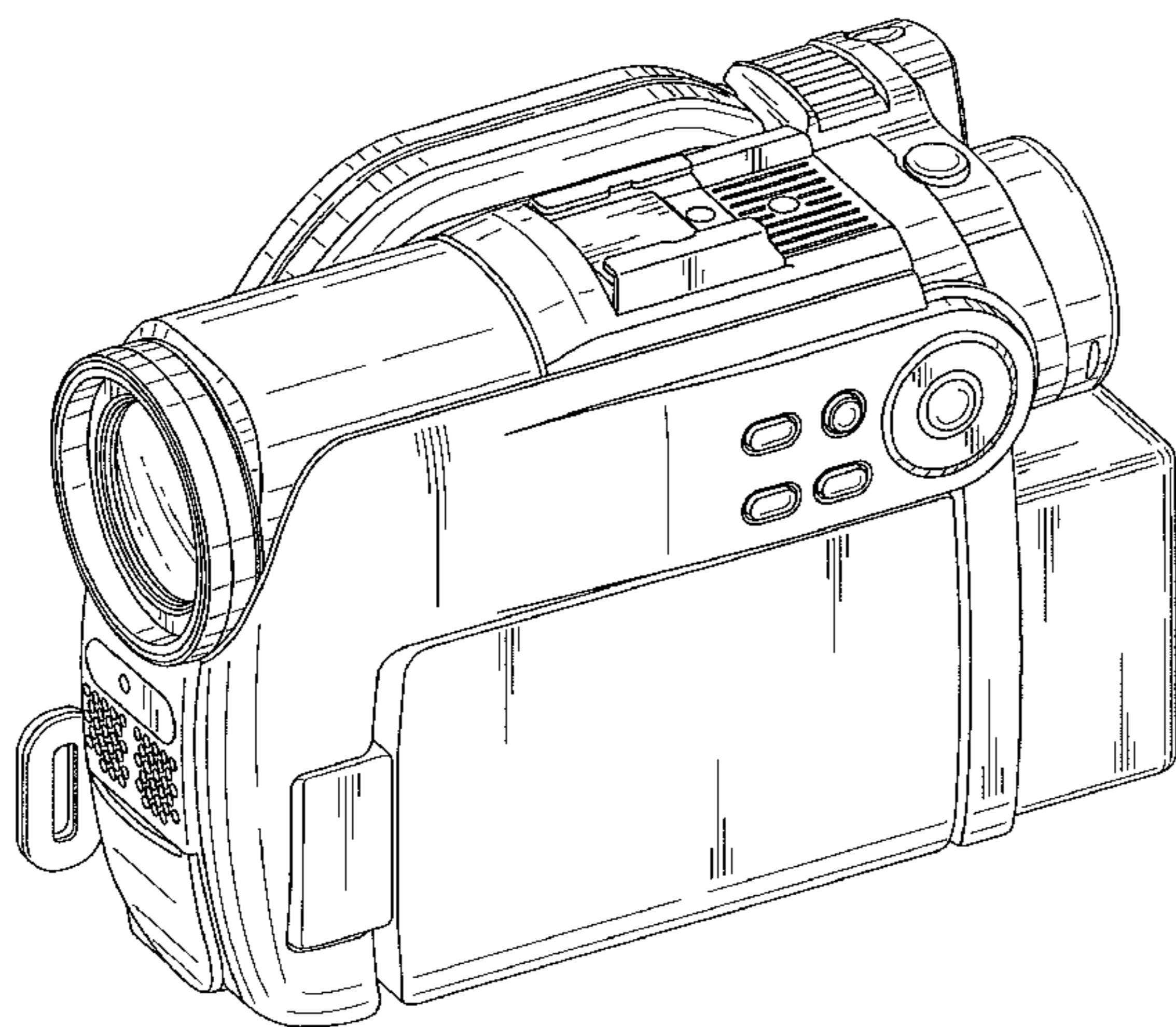
FIG. 7 is a bottom plan view thereof;

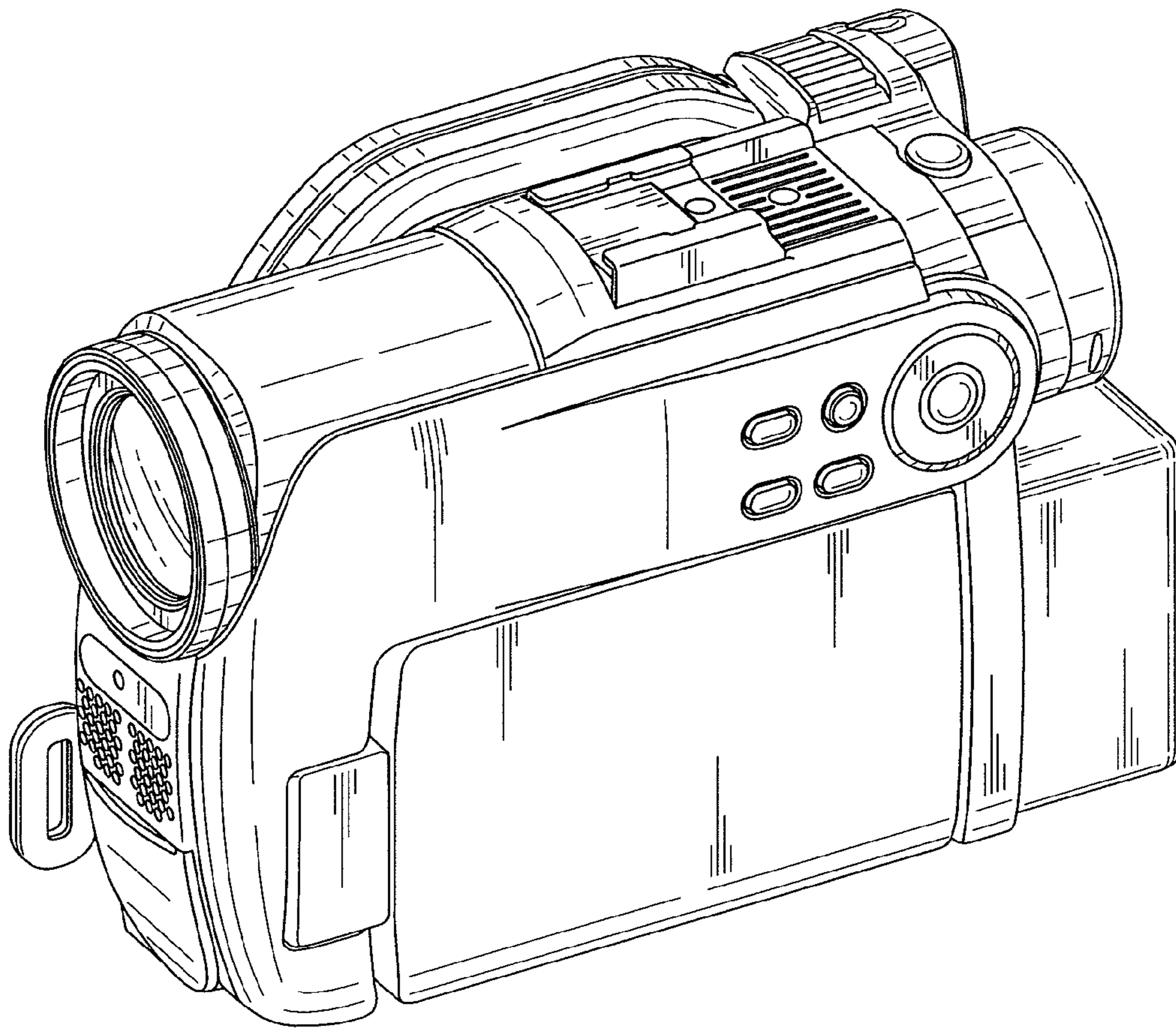
FIG. 8 is a rear elevational view thereof, showing a liquid crystal monitor opened;

FIG. 9 is a right side view elevational thereof, showing a liquid crystal monitor opened; and,

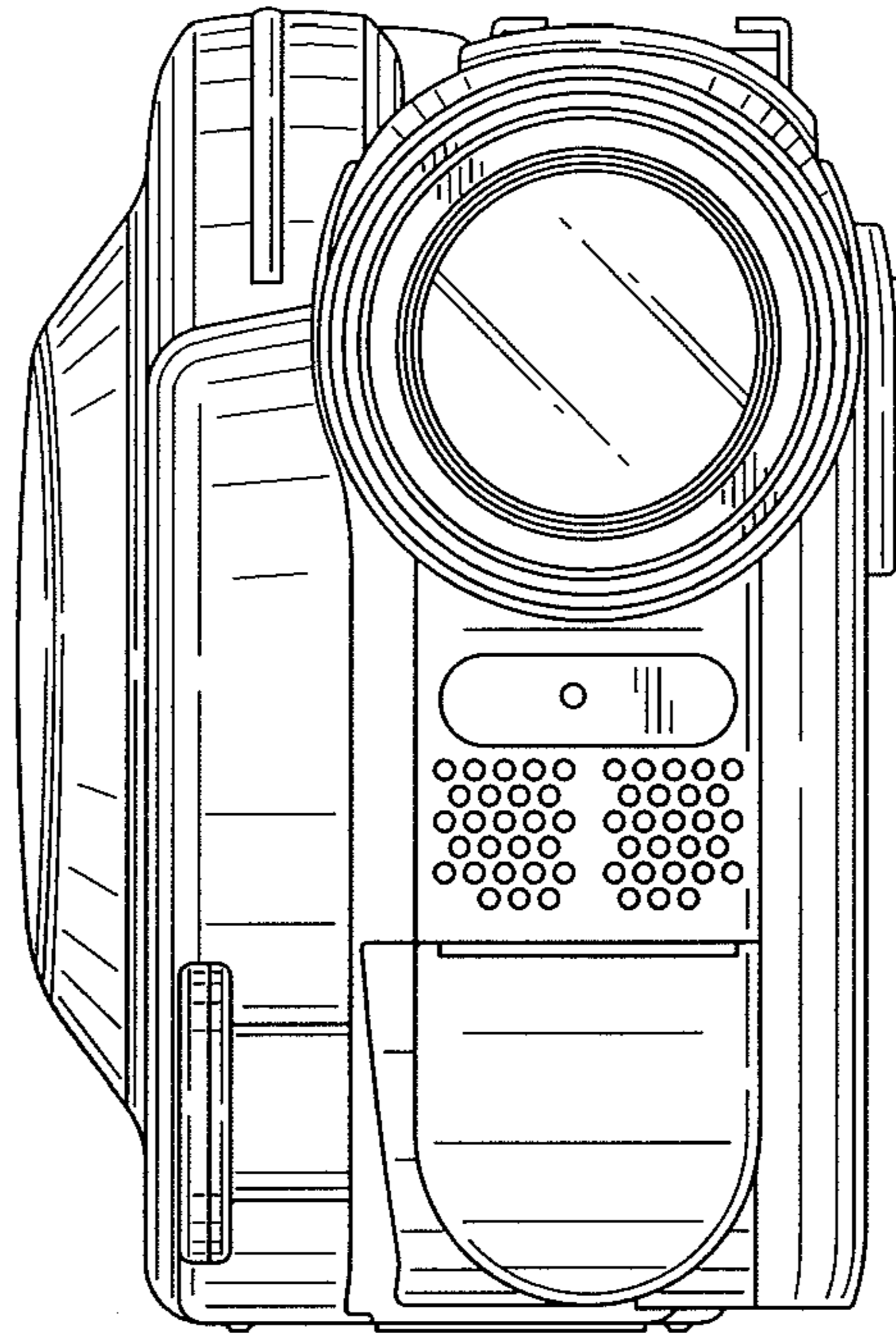
FIG. 10 is a front, top and left side perspective view thereof, showing a disc cover opened.

**1 Claim, 6 Drawing Sheets**

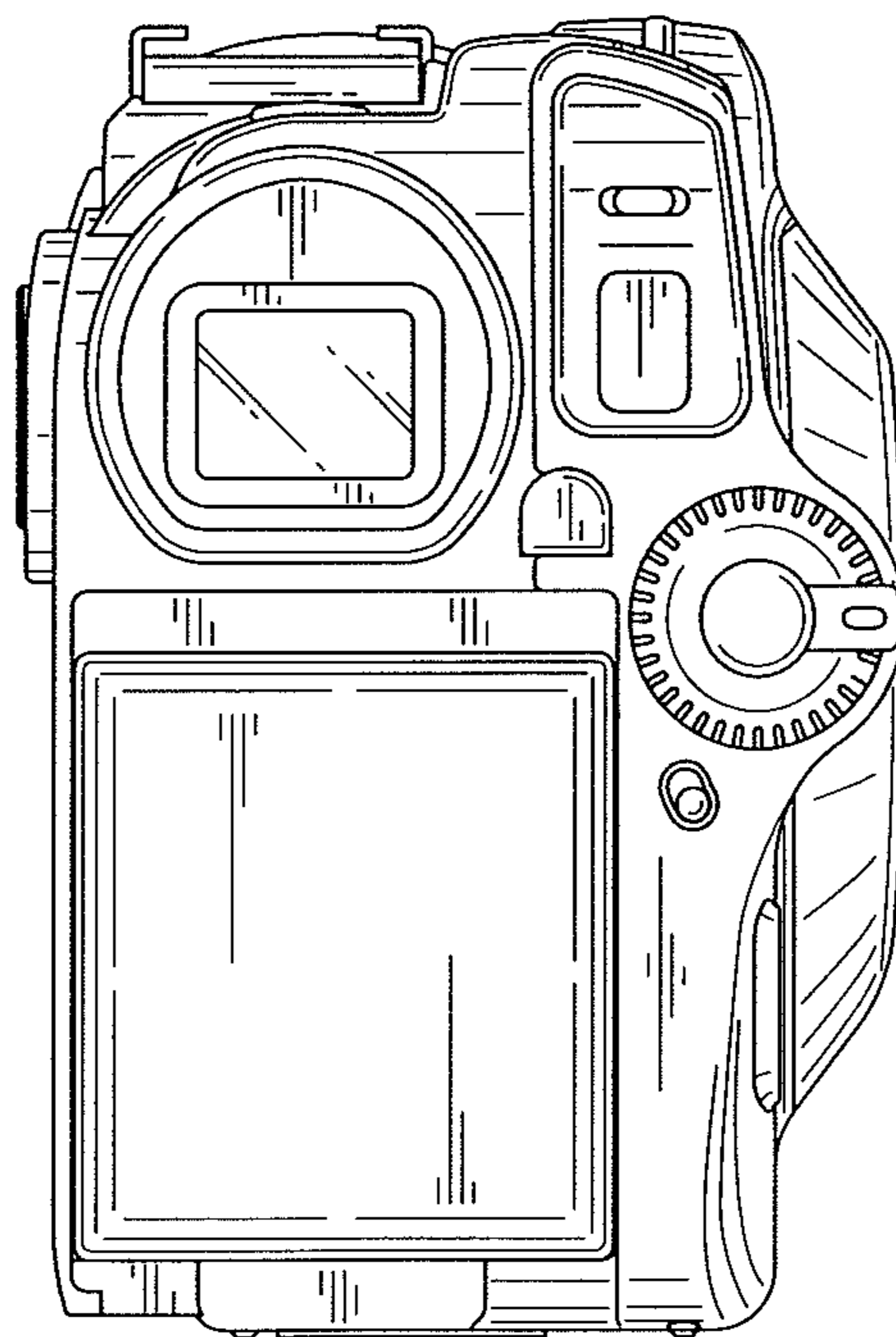




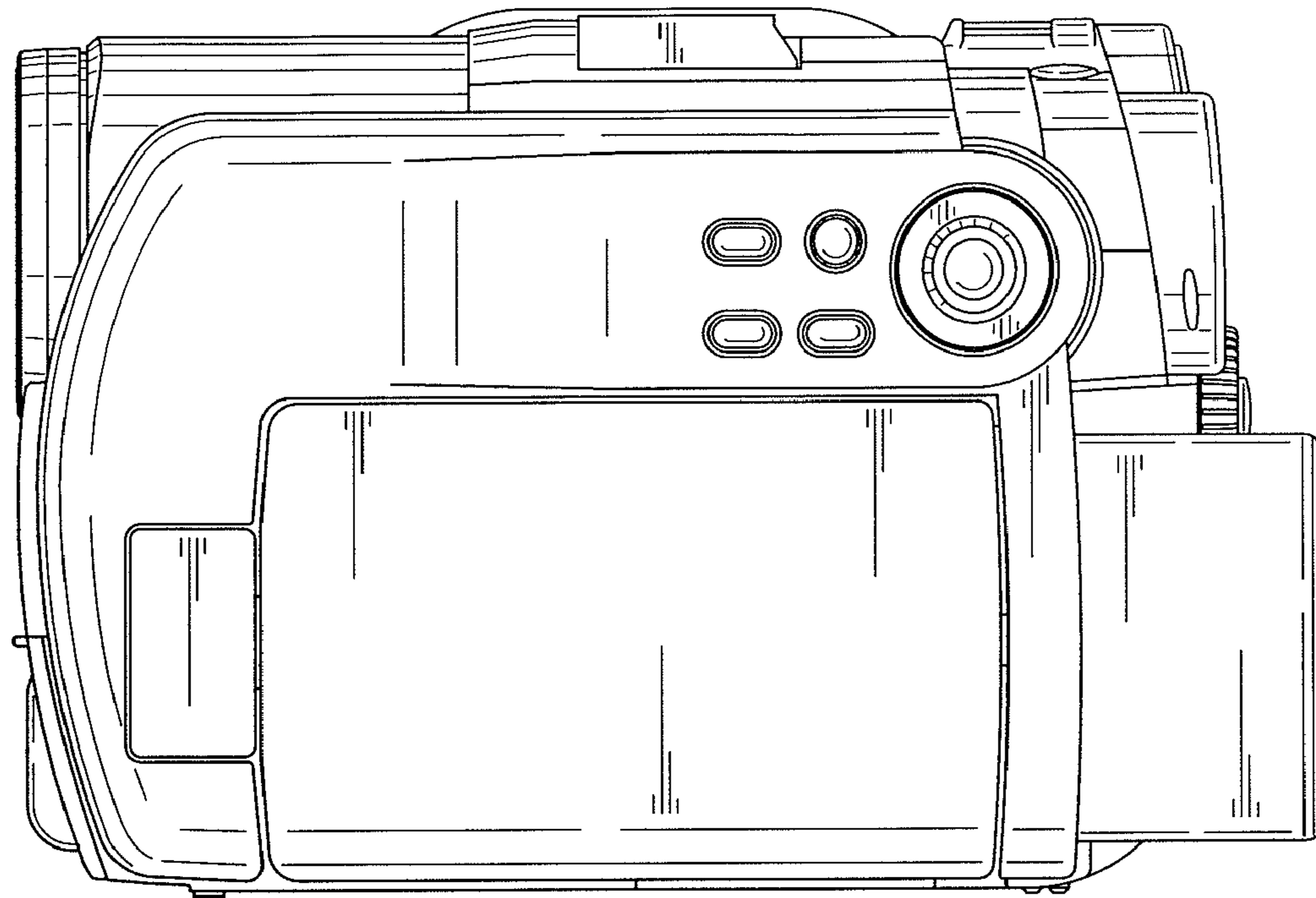
*FIG. 1*



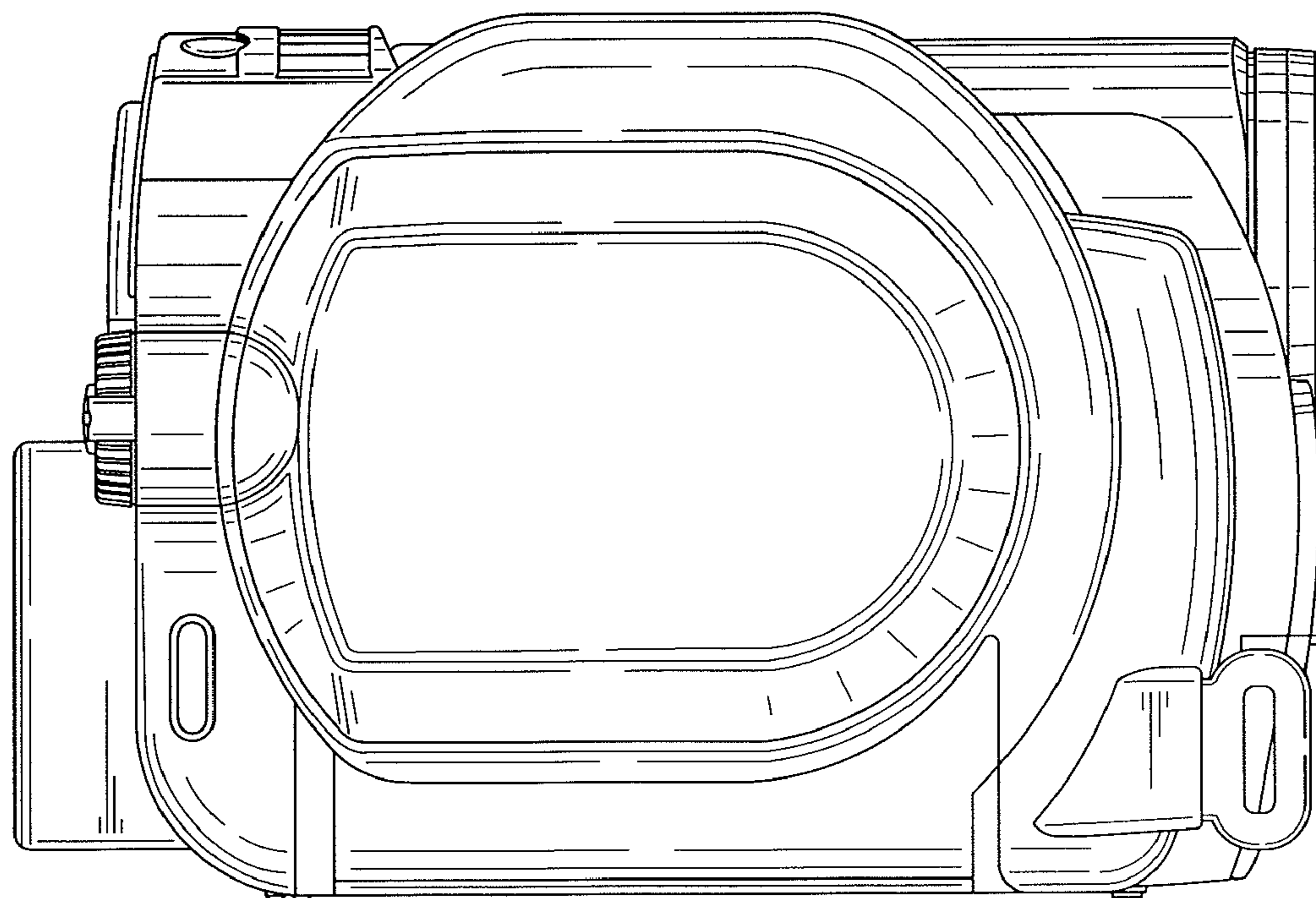
*FIG. 2*



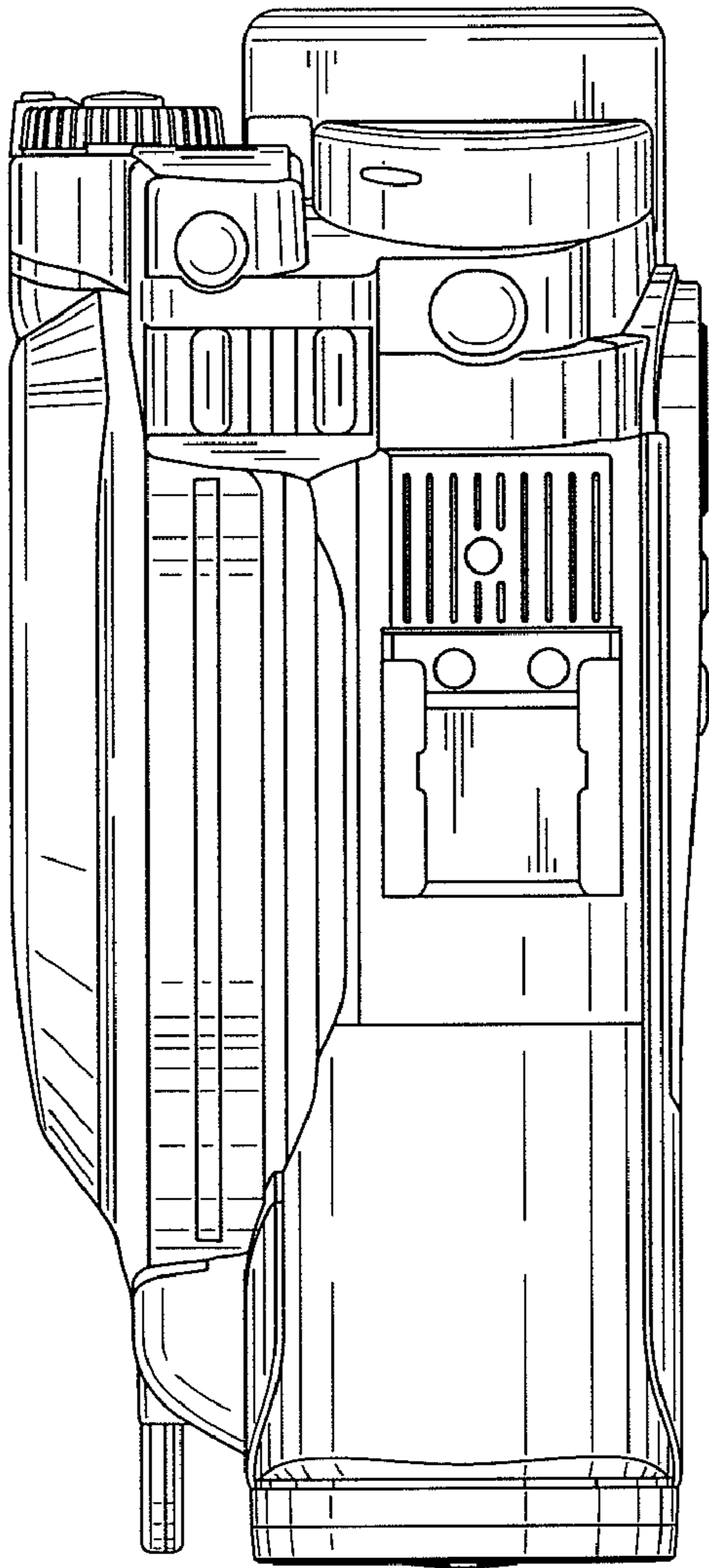
*FIG. 3*



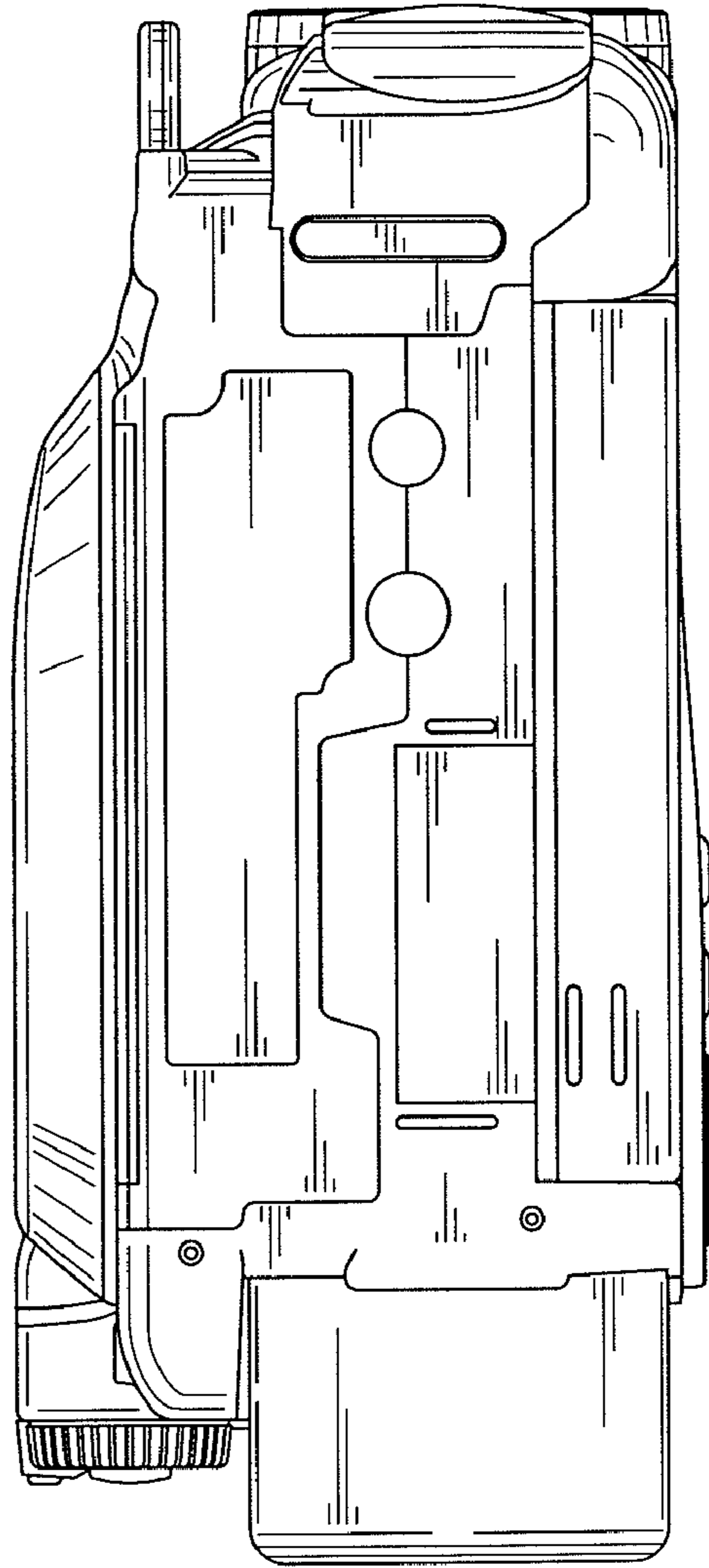
*FIG. 4*



*FIG. 5*



*FIG. 6*



*FIG. 7*

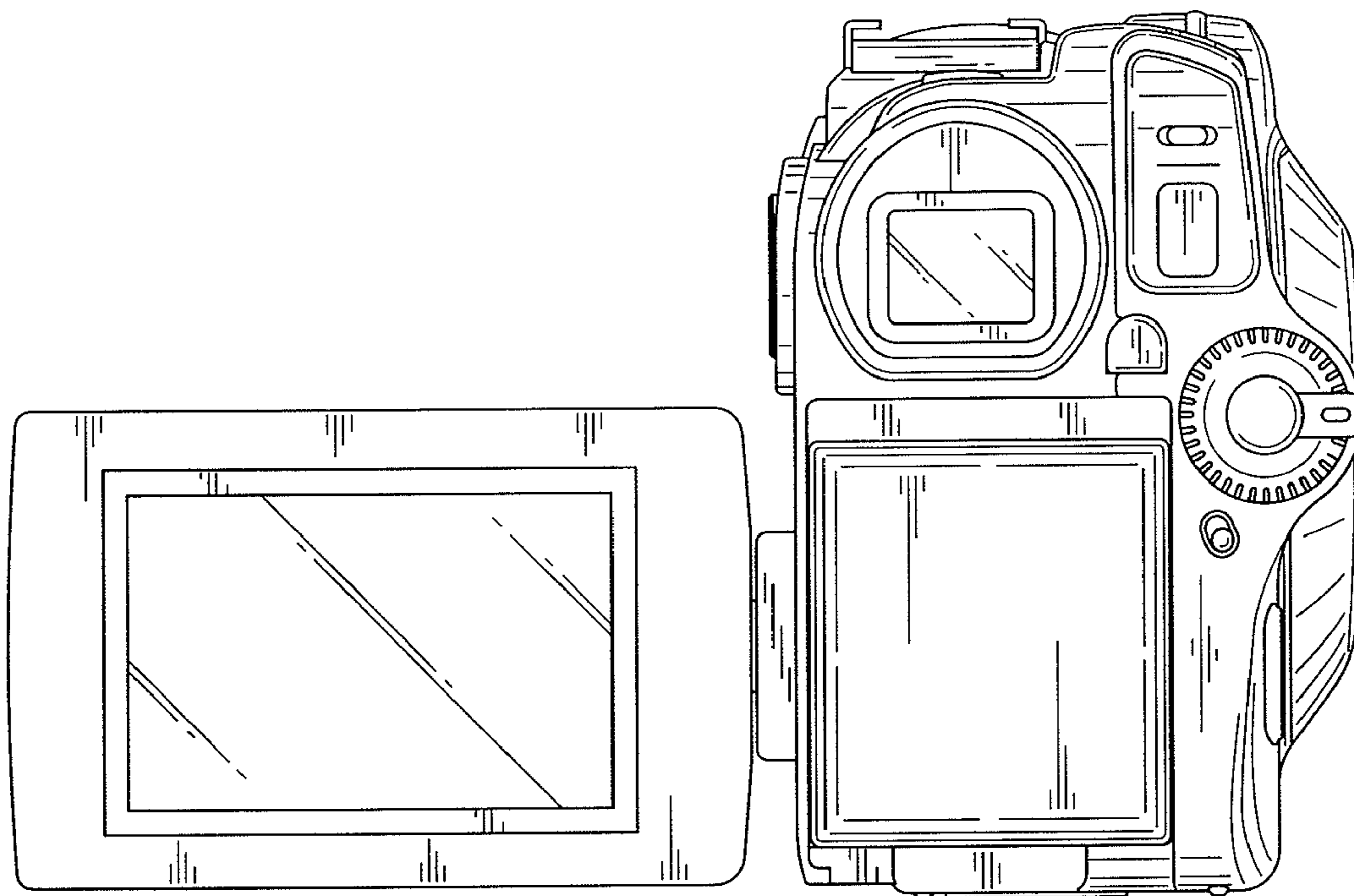


FIG. 8

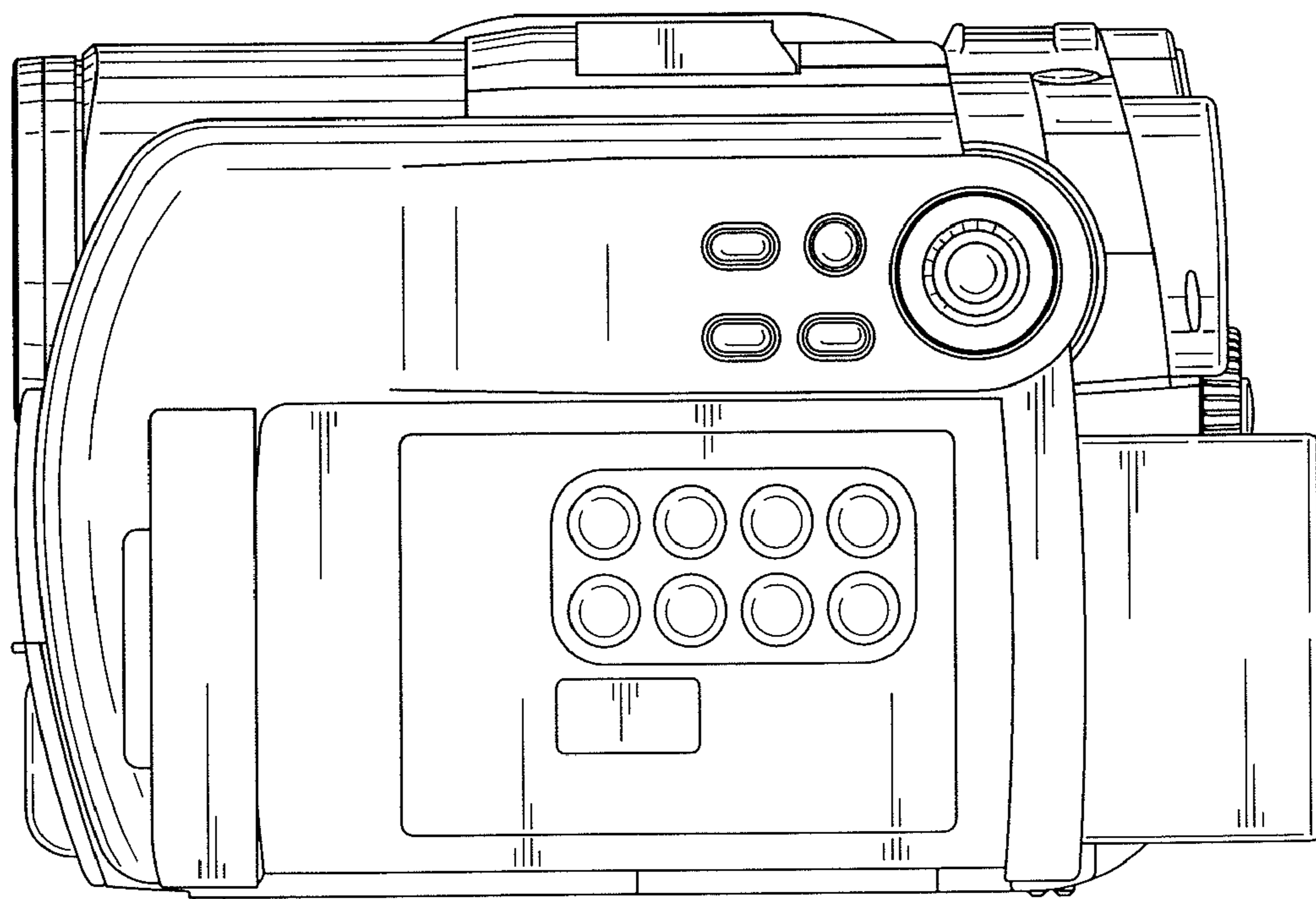


FIG. 9

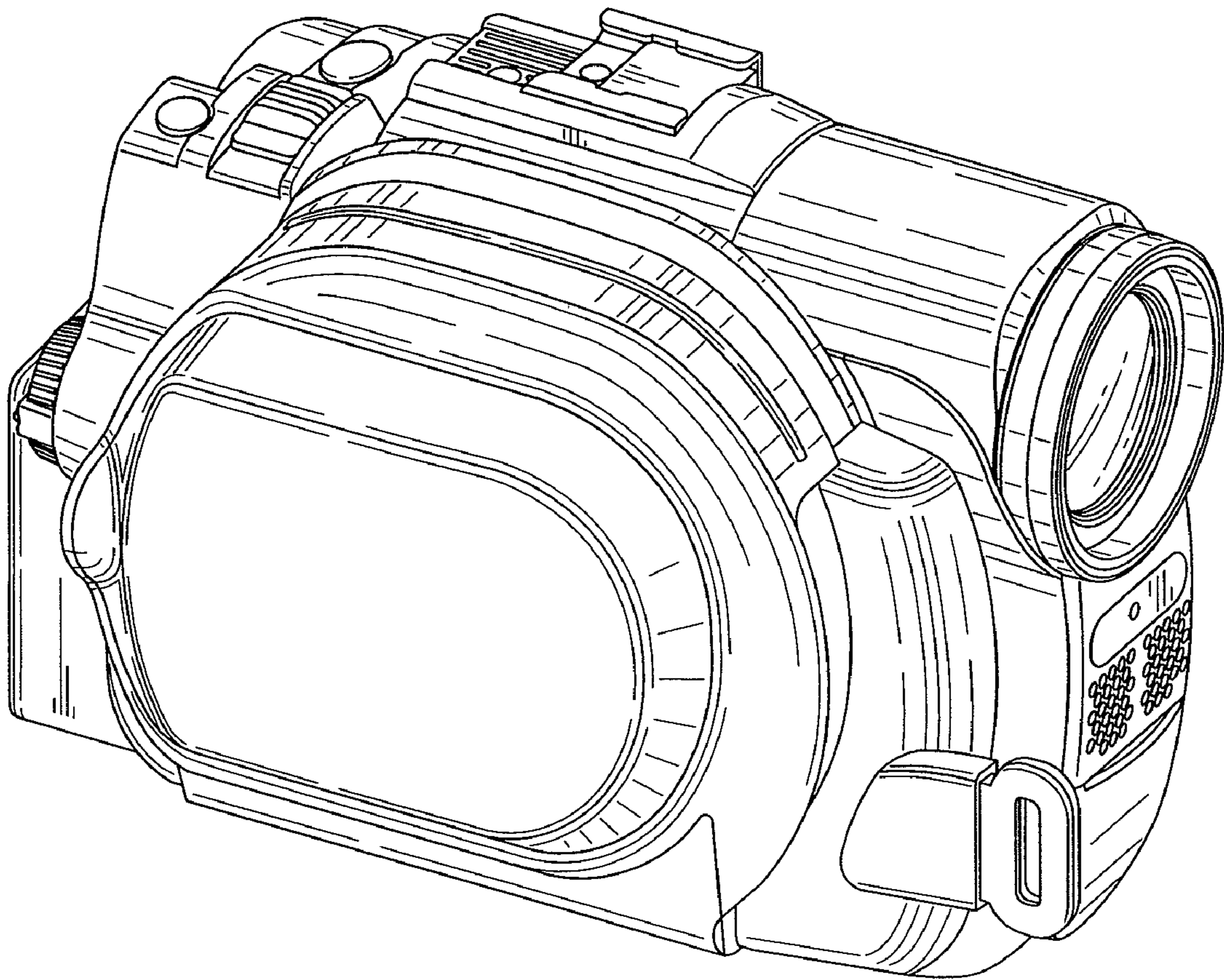


FIG. 10