



US00D565062S

(12) **United States Design Patent**
Miller et al.

(10) **Patent No.:** **US D565,062 S**
(45) **Date of Patent:** **** Mar. 25, 2008**

(54) **COUPLER FOR AN EXCAVATOR OR THE LIKE**

6,922,926 B2 * 8/2005 Miller et al. 37/468

* cited by examiner

(75) Inventors: **Gary Miller**, Washington (GB); **Gary Pendleton**, Stanley (GB)

Primary Examiner—Stella M. Reid

Assistant Examiner—Mark Goodwin

(73) Assignee: **Miller UK Limited**, Northumberland (GB)

(74) *Attorney, Agent, or Firm*—Harter Secrest & Emery LLP; Stephen B. Salai, Esq.; Jodi A. Reynolds, Esq.

(**) Term: **14 Years**

(57) **CLAIM**

(21) Appl. No.: **29/261,380**

We claim the ornamental design for a coupler for an excavator or the like, as shown and described.

(22) Filed: **Jun. 13, 2006**

DESCRIPTION

(51) **LOC (8) Cl.** **15-03**

FIG. 1 is a top plan view of a coupler for an excavator or the like showing new design;

(52) **U.S. Cl.** **D15/28**

FIG. 2 is a front perspective view thereof;

(58) **Field of Classification Search** D15/10,

D15/17, 28, 32; 37/468; 414/686, 723;

172/272, 439, 443, 248

See application file for complete search history.

FIG. 3 is a rear elevational view thereof;

FIG. 4 is a front elevational view thereof;

FIG. 5 is a right side elevational view thereof;

FIG. 6 is a left side elevational view thereof; and,

FIG. 7 is a bottom plan view thereof.

(56) **References Cited**

U.S. PATENT DOCUMENTS

D272,070 S *	1/1984	Larsson	D15/28
D272,250 S *	1/1984	Larsson	D15/28
D275,011 S *	8/1984	Larsson	D15/28
4,726,731 A *	2/1988	Jones	414/723
6,158,950 A *	12/2000	Wilt et al.	414/723
D440,983 S	4/2001	Miller		
6,385,872 B1 *	5/2002	Mieger et al.	37/468
D458,942 S *	6/2002	Balemi	D15/28
6,422,805 B1	7/2002	Miller		
6,625,909 B1 *	9/2003	Miller et al.	37/468
6,691,438 B2 *	2/2004	Fatemi	37/468

The broken line showing of the coupler is included for the purpose of illustrating unclaimed portions of the coupler for an excavator or the like and forms no part of the claimed design.

FIGS. 1 to 7 show a first embodiment of coupler for releasably attaching an accessory to an arm of an excavator. Those features shown in broken lines form no part of the claimed design.

1 Claim, 7 Drawing Sheets

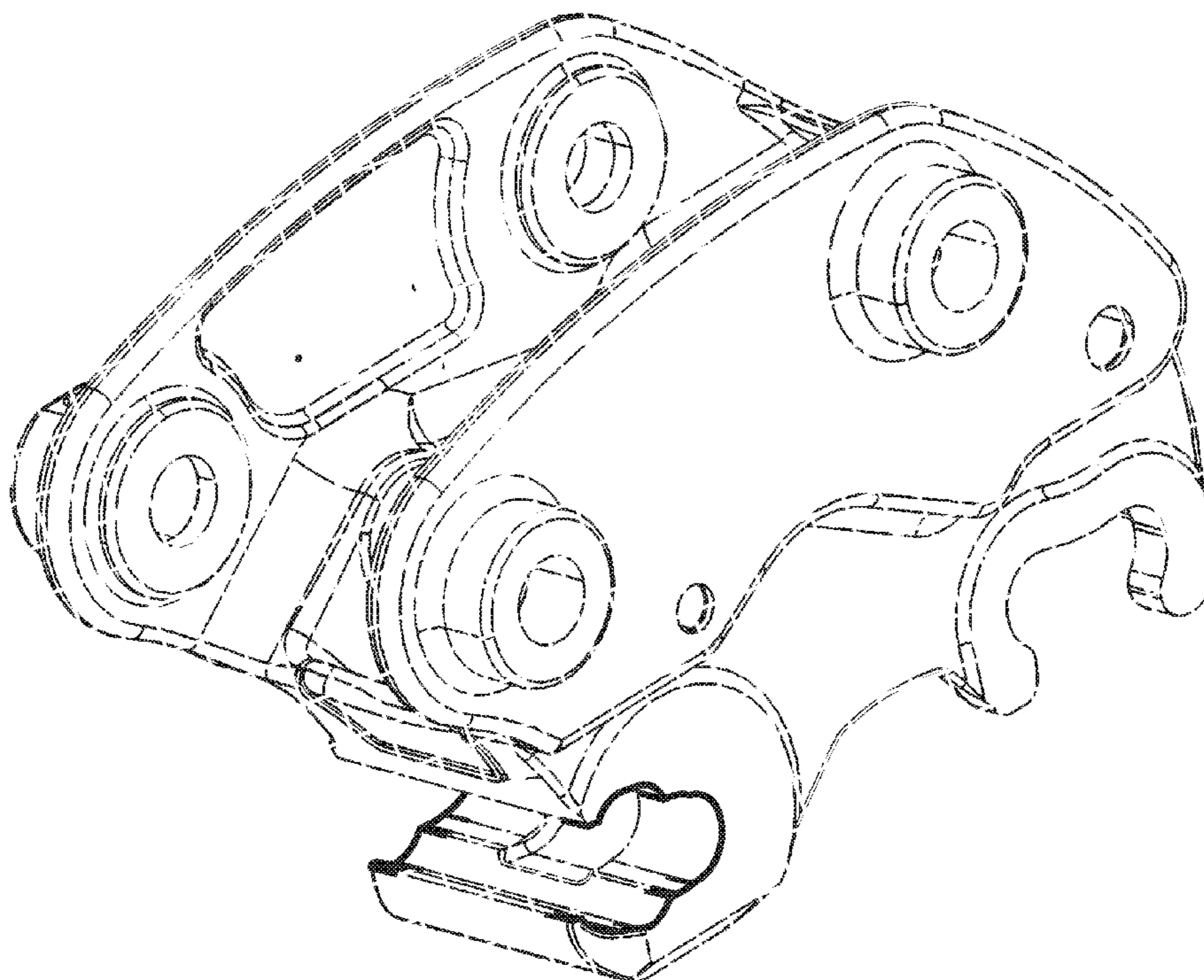
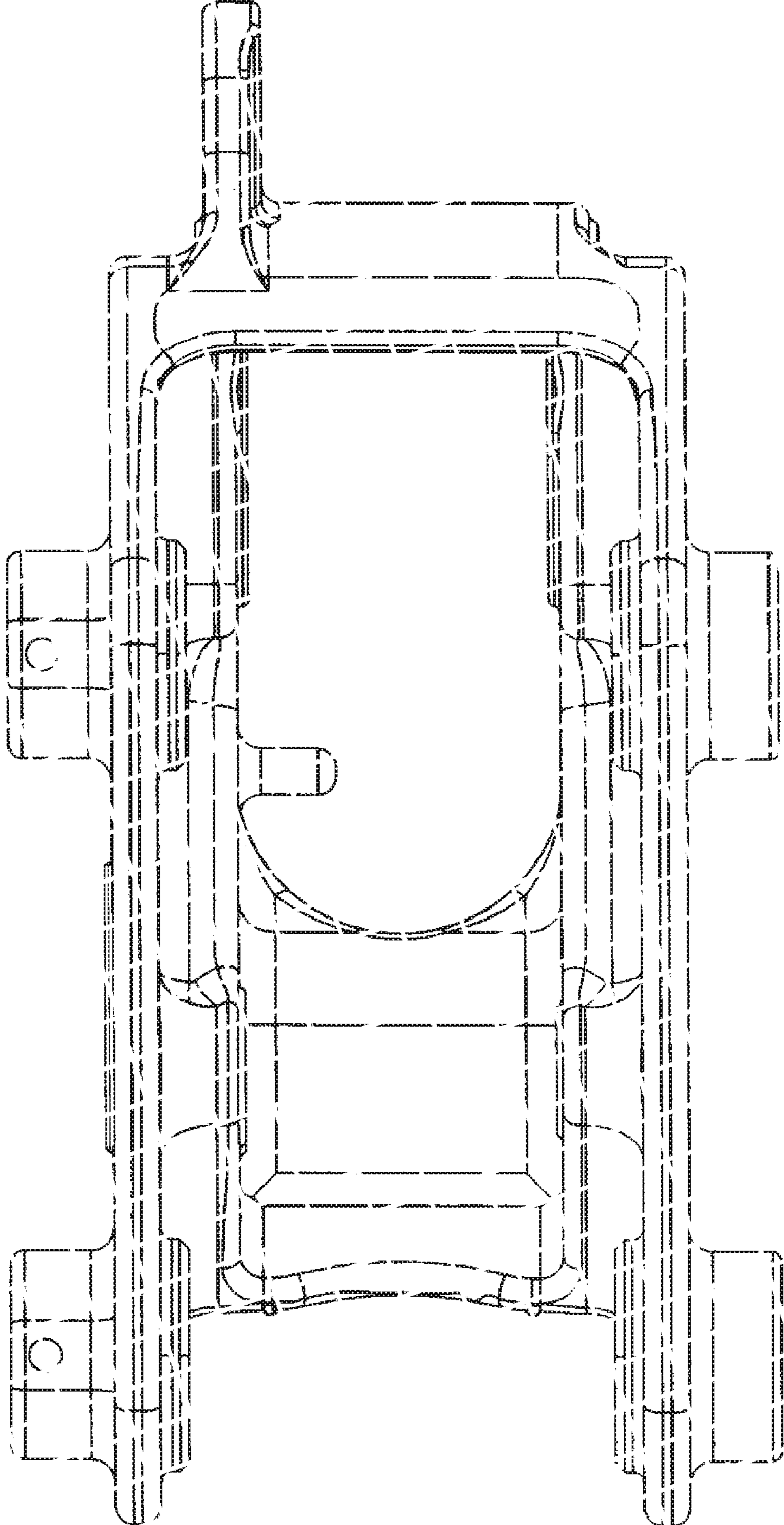


FIG. 1



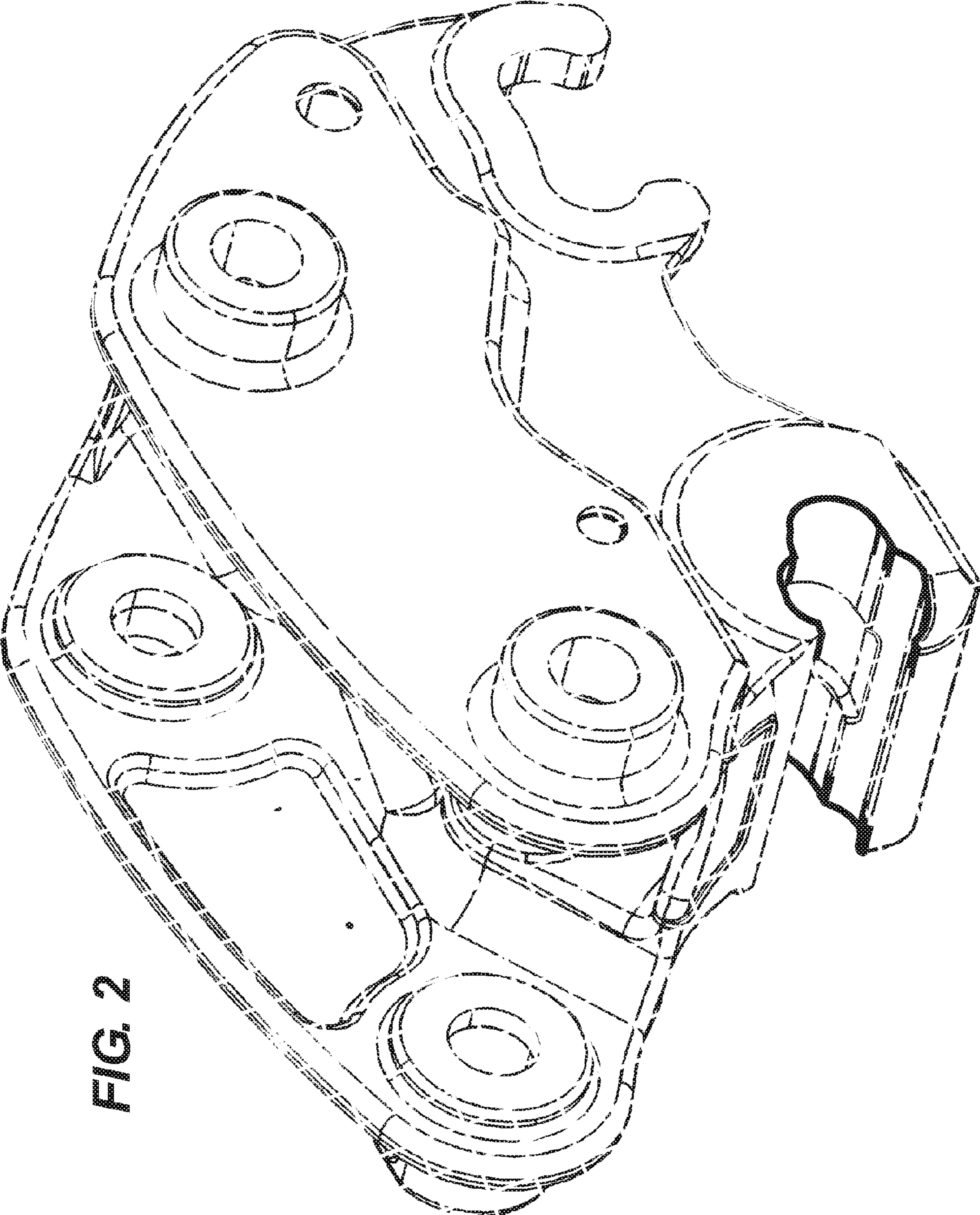


FIG. 2

FIG. 3

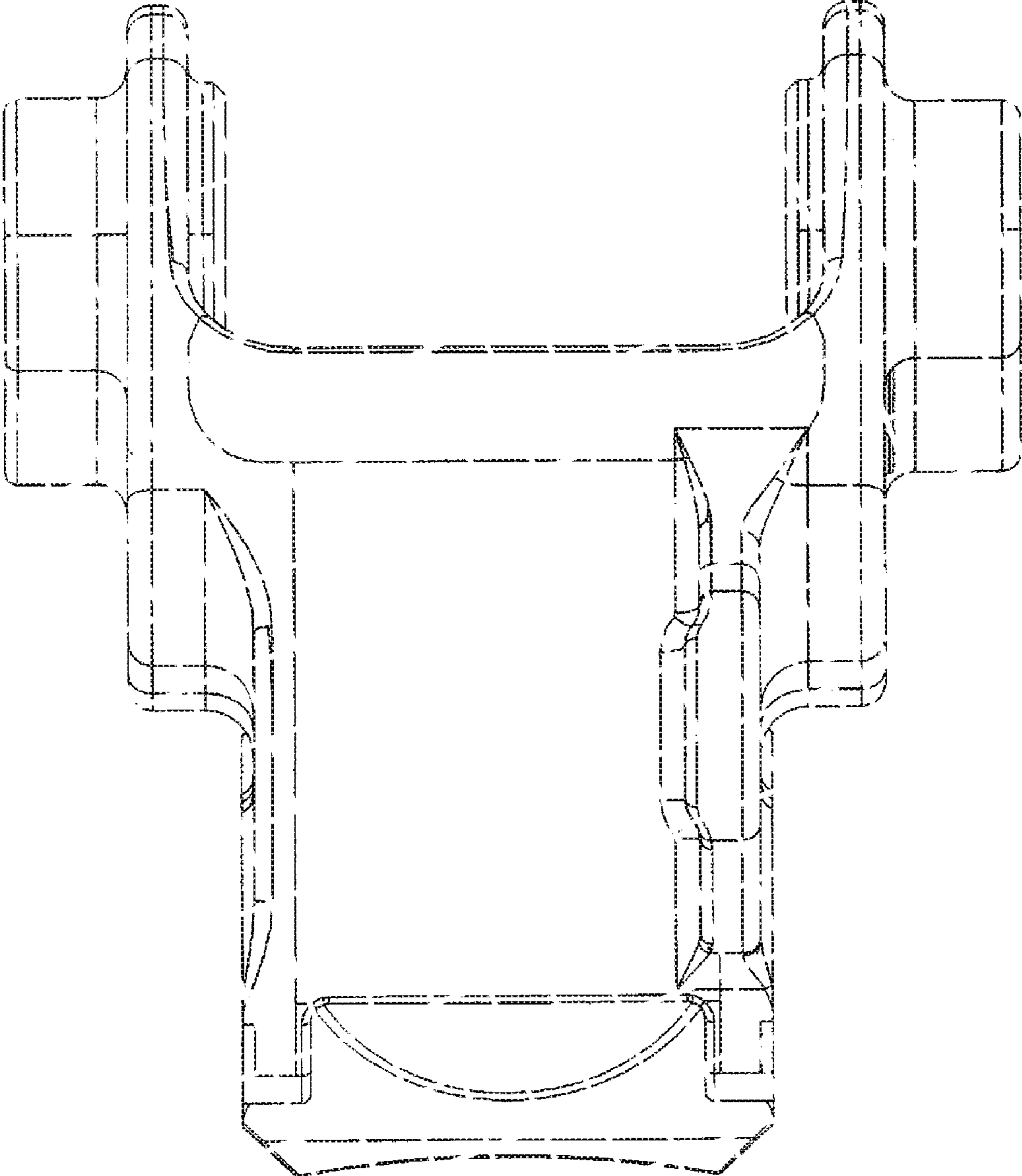


FIG. 4

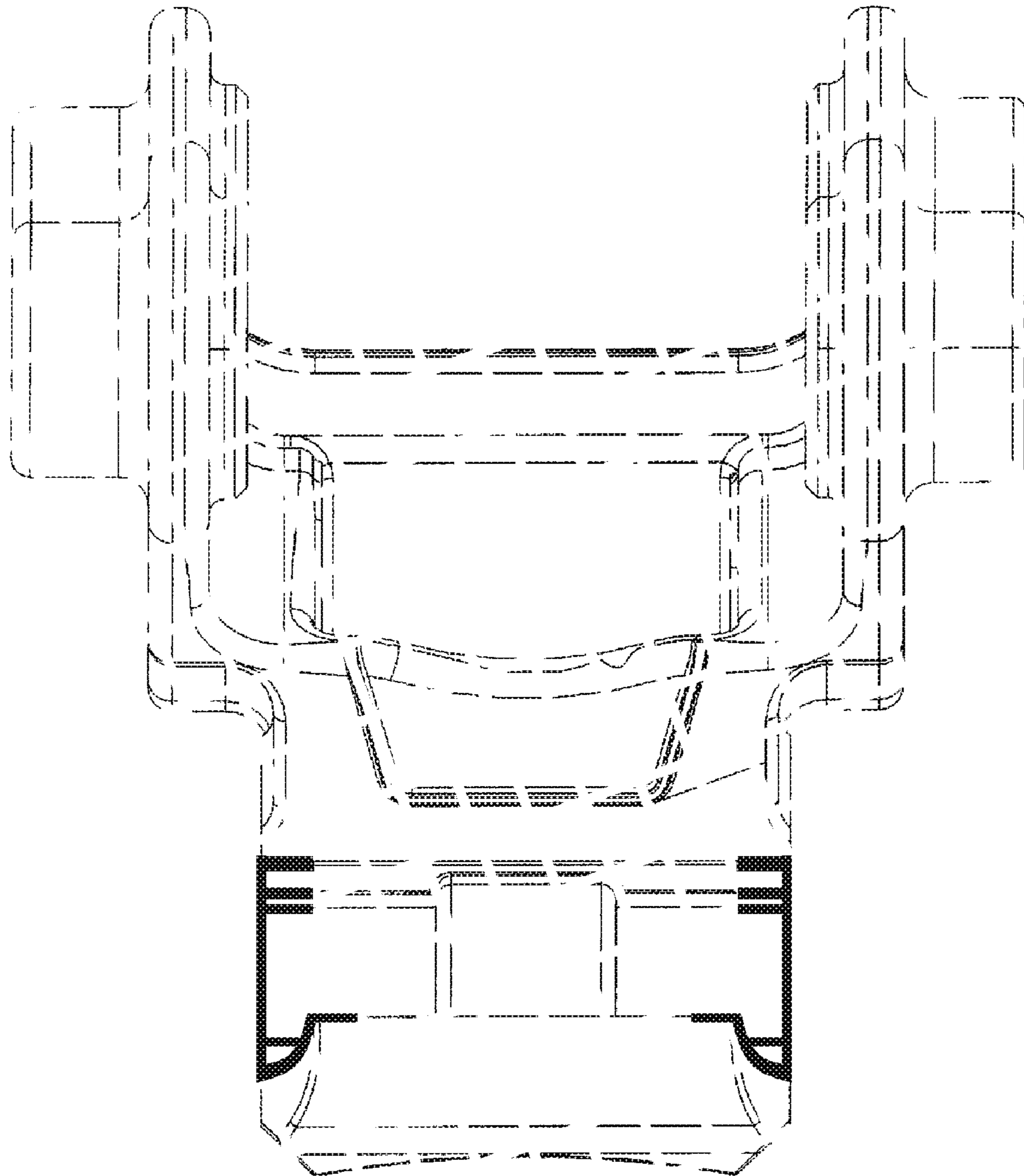


FIG. 5

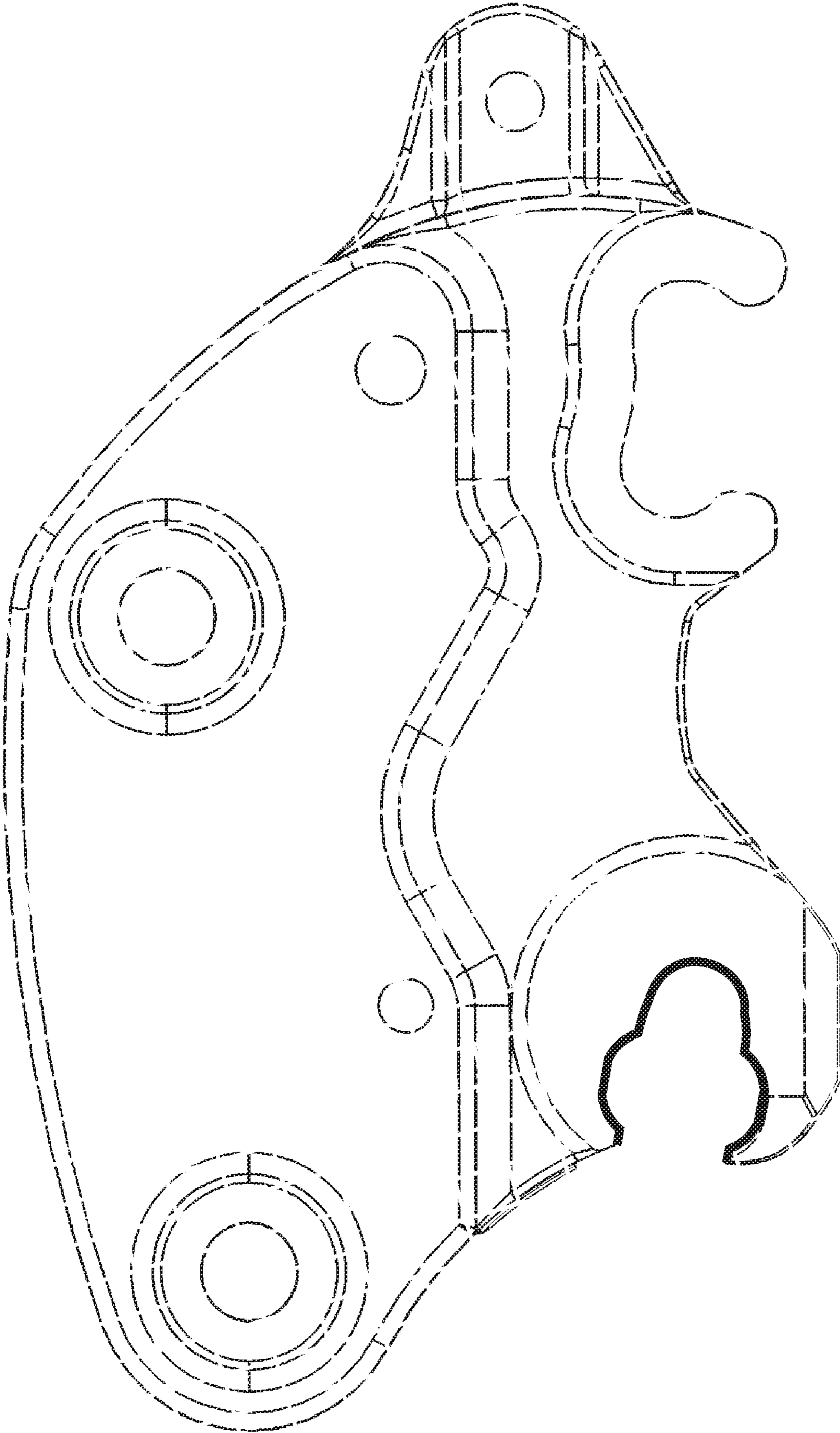


FIG. 6

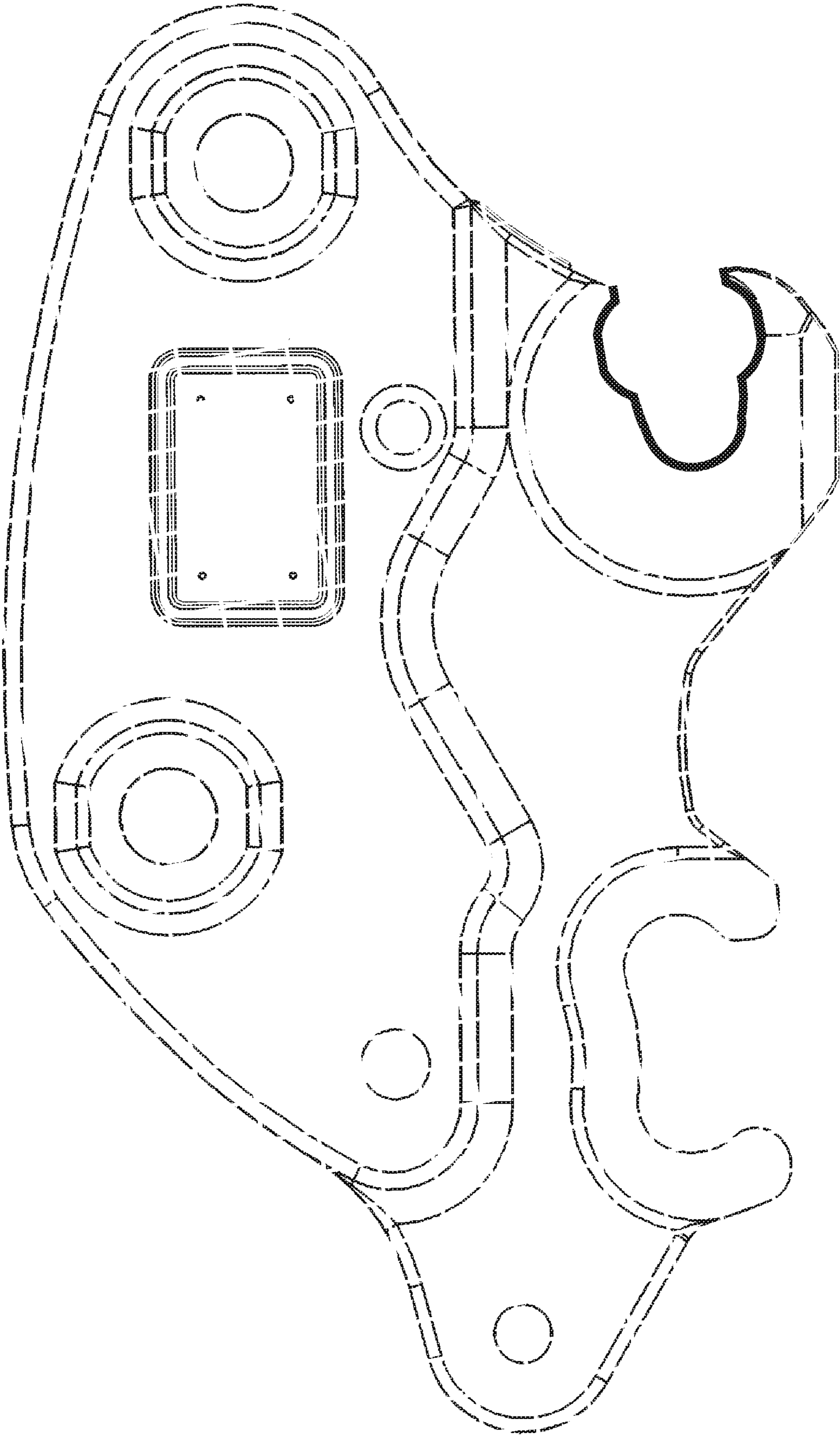


FIG. 7

