



US00D565049S

(12) **United States Design Patent**
Jawerth et al.

(10) **Patent No.:** **US D565,049 S**

(45) **Date of Patent:** **** Mar. 25, 2008**

(54) **FOLDING KEYBOARD AND DISPLAY UNIT**

(76) Inventors: **Bjorn Jawerth**, 1228 Langstonshire
La., Morrisville, NC (US) 27560; **Viraj
Mehta**, 533 Ridge Brook Trail, Duluth,
GA (US) 30096

(**) Term: **14 Years**

(21) Appl. No.: **29/253,481**

(22) Filed: **Feb. 7, 2006**

D448,032	S *	9/2001	Talley	D14/396
D457,525	S *	5/2002	Olodort et al.	D14/396
D470,493	S *	2/2003	Tritschler et al.	D14/393
D470,841	S *	2/2003	Feierbach	D14/345
6,684,201	B1	1/2004	Brill	706/45
D486,488	S *	2/2004	Olodort et al.	D14/396
6,798,649	B1 *	9/2004	Olodort et al.	361/683
D499,725	S *	12/2004	Lee	D14/316
7,048,456	B2	5/2006	Keinonen et al.	400/495
7,081,837	B2	7/2006	Bollman	341/22
2003/0011574	A1	1/2003	Goodman	345/172
2004/0228076	A1 *	11/2004	Clapper	361/681

Related U.S. Application Data

(63) Continuation-in-part of application No. 29/244,530,
filed on Dec. 8, 2005, and a continuation-in-part of
application No. 11/286,117, filed on Nov. 23, 2005,
which is a continuation-in-part of application No.
11/204,940, filed on Aug. 15, 2005.

(51) **LOC (8) Cl.** **14-02**

(52) **U.S. Cl.** **D14/391; D14/316**

(58) **Field of Classification Search** D14/391-399,
D14/315, 316, 320, 318, 341-345, 331;
D18/1, 2, 7, 11; 178/17 A, 17 C; 345/102,
345/104, 156, 168; 341/22, 23; 361/680-686;
400/486, 489; D3/294

See application file for complete search history.

(56) **References Cited**

U.S. PATENT DOCUMENTS

D220,233	S *	3/1971	Schurman	D3/294
3,967,273	A	6/1976	Knowlton	340/365
D330,547	S *	10/1992	Howe et al.	D14/399
5,457,453	A *	10/1995	Chiu et al.	341/22
5,712,760	A *	1/1998	Coulon et al.	361/680
D390,541	S *	2/1998	Chiba	D14/345
D394,045	S *	5/1998	Iino	D14/320
5,818,437	A	10/1998	Grover et al.	345/326
5,995,025	A *	11/1999	Sternglass et al.	341/22
D417,657	S *	12/1999	Matsumoto	D14/343
6,011,554	A	1/2000	King et al.	345/352
D428,011	S *	7/2000	Howe et al.	D14/399
6,144,358	A *	11/2000	Narayanaswamy et al. .	345/102

* cited by examiner

Primary Examiner—Freda S Nunn

(74) *Attorney, Agent, or Firm*—Morgan Lewis & Bockius
LLP

(57) **CLAIM**

The ornamental design for a folding keyboard and display
unit, as shown and described.

DESCRIPTION

FIG. 1 is a perspective view of a combination folding
keyboard and display unit in a folded state according to a
first preferred embodiment of the new design.

FIG. 2 is a front elevation view of the design shown in FIG.
1.

FIG. 3 is a back elevation view of the design shown in FIG.
1.

FIG. 4 is a left-side elevation view of the design shown in
FIG. 1.

FIG. 5 is a right-side elevation view of the design shown in
FIG. 1.

FIG. 6 is a top plan view of the design shown in FIG. 1.

FIG. 7 is a perspective view of a combination folding
keyboard and display unit with the display in an open
position and keyboard in a folded state.

FIG. 8 is a perspective view of the design shown in FIG. 7
with the keyboard removed from display unit.

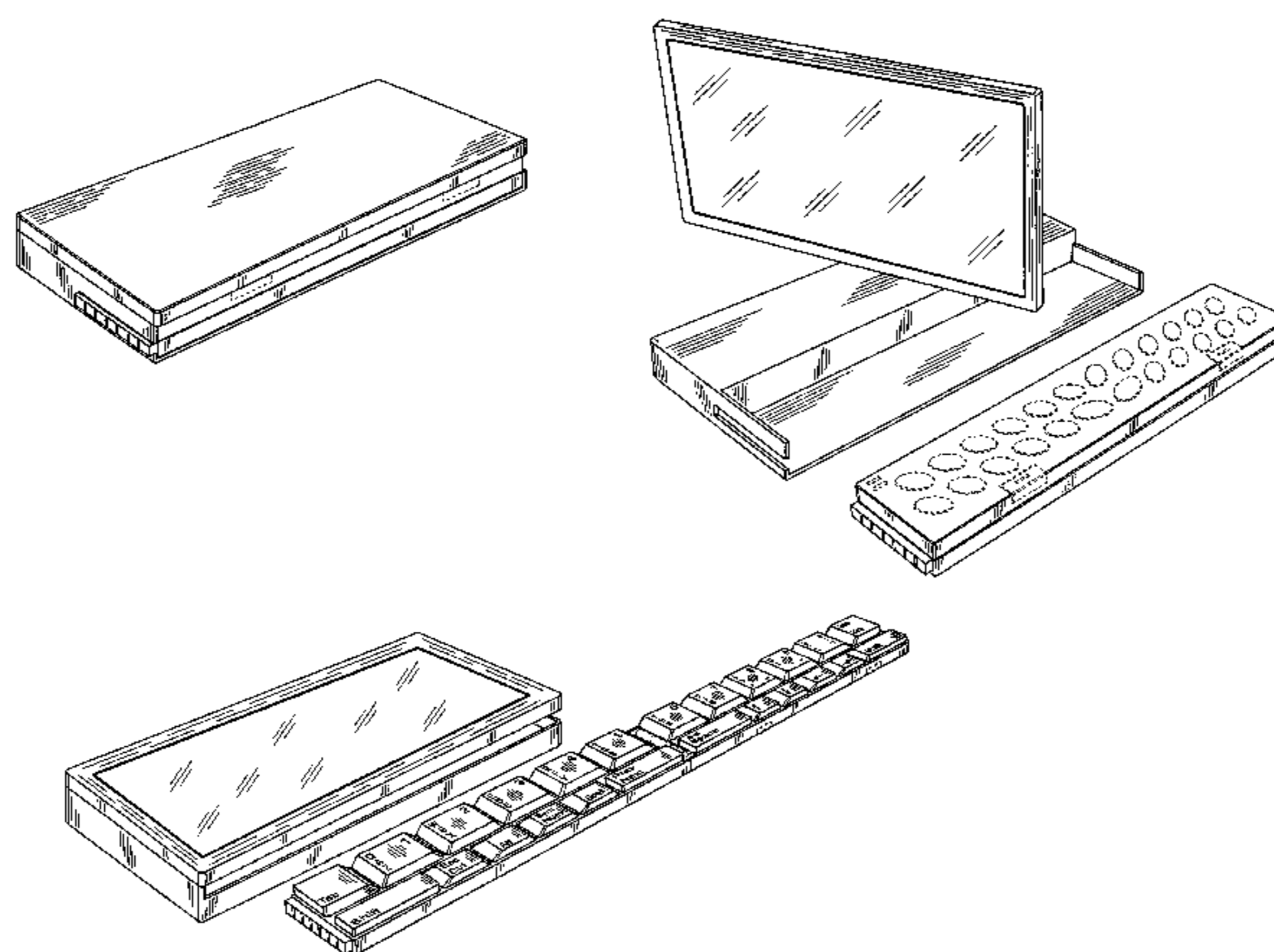


FIG. 9 is a top plan view of the keyboard shown in FIG. 8 being shown separately for clarity of illustration only.

FIG. 10 is a right-side elevation view of the keyboard shown in FIG. 8.

FIG. 11 is a perspective view of the design shown FIG. 8 with the display in an open and partial horizontally-rotated position.

FIG. 12 is a perspective view of the design shown in FIG. 11 with the display in a folded down but upright facing position.

FIG. 13 is a perspective view of a combination folding keyboard and display unit with the display in an open position and keyboard in an unfolded state.

FIG. 14 is a perspective view of the design shown in FIG. 13 with the unfolded keyboard removed from display unit.

FIG. 15 is a front elevation view of the keyboard shown in FIG. 14.

FIG. 16 is a back elevation view of the keyboard shown in FIG. 14.

FIG. 17 is a right -side elevation view of the keyboard shown in FIG. 14.

FIG. 18 is a left-side elevation view of the keyboard shown in FIG. 14.

FIG. 19 is a top plan view of the keyboard shown in FIG. 14.

FIG. 20 is a perspective view of the design shown FIG. 14 with the display in an open and partial horizontally-rotated position.

FIG. 21 is a perspective view of the design shown in FIG. 20 with the display in a partially folded down but upwards facing position; and,

FIG. 22 is a perspective view of the design shown in FIG. 21 with the display in a folded down but upright facing position.

The portions of the keyboard and display unit shown in broken lines in the figures are for illustrative purposes only and form no part of the claimed design. The bottom of the display unit not shown is flat and unornamented. The bottom of the left section of the folding keyboard not shown is flat and unornamented. In alternative embodiments, the keys visible when the keyboard is in an unfolded state, as shown in FIG. 19 for example, may be generally all square, all-rectangular, or a combination thereof in shape when viewed from the top. In alternative embodiments, the keys visible when the keyboard is in an unfolded state, as shown in FIG. 19 for example, may have less than the amount of indicia shown on each key, the indicia on each key may be switched in any horizontal or vertical order, and the indicia may be positioned on the top of the keys in any horizontal or vertical location or orientation.

1 Claim, 13 Drawing Sheets

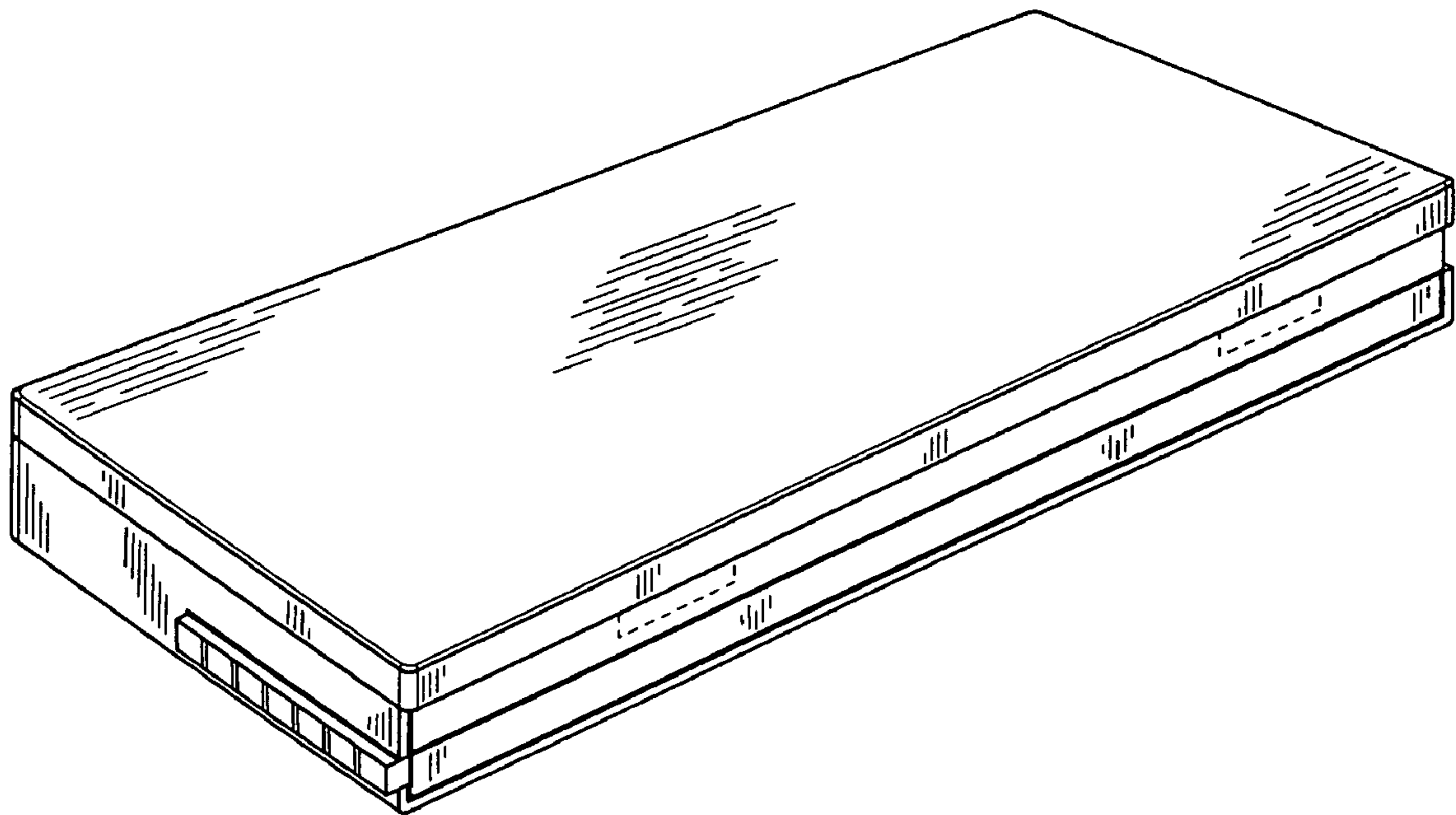


FIG. 1

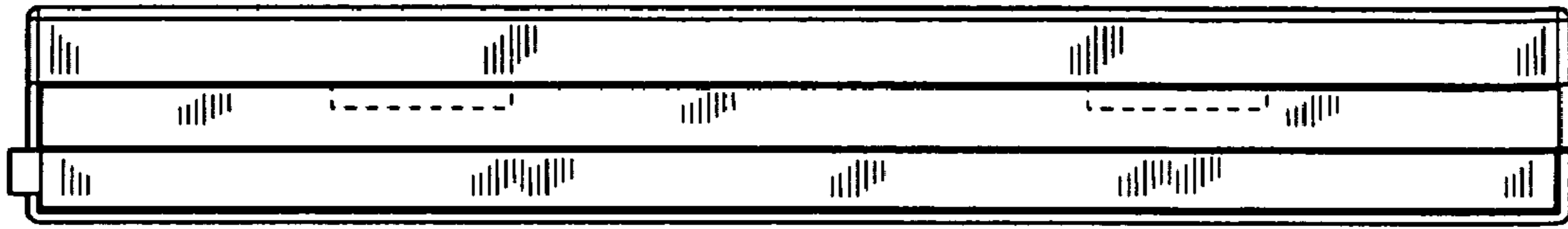


FIG. 2

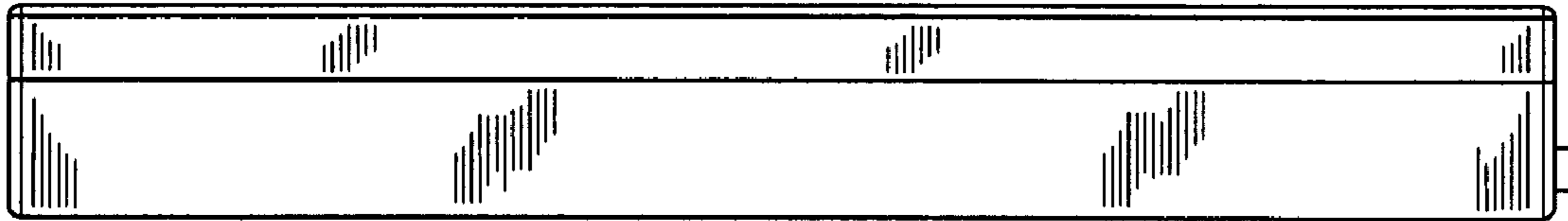


FIG. 3



FIG. 4

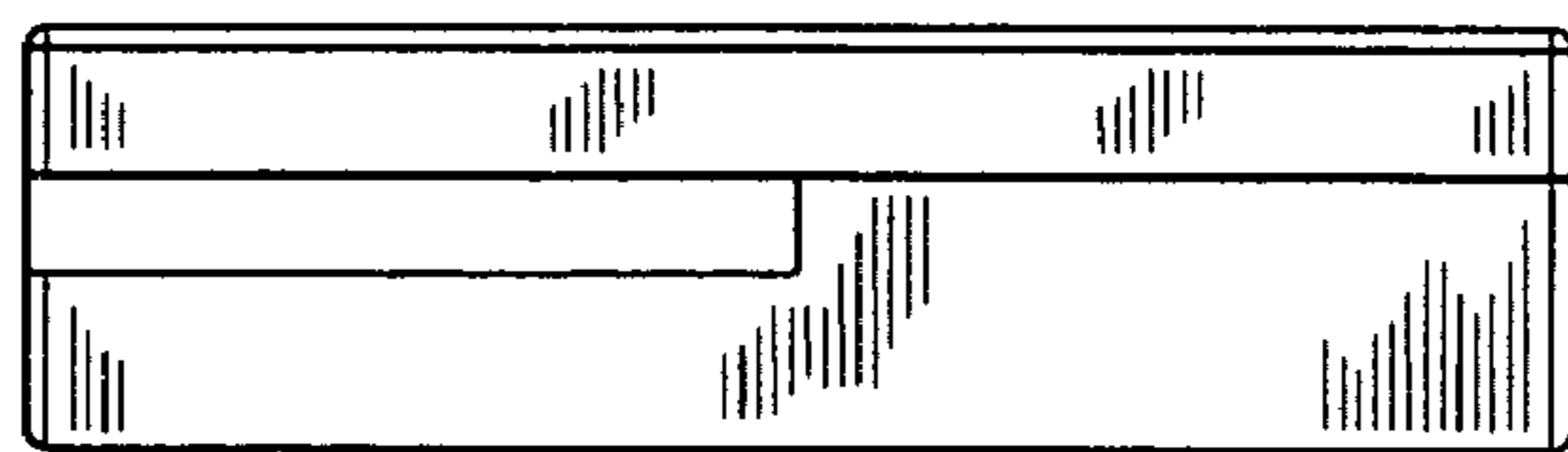


FIG. 5

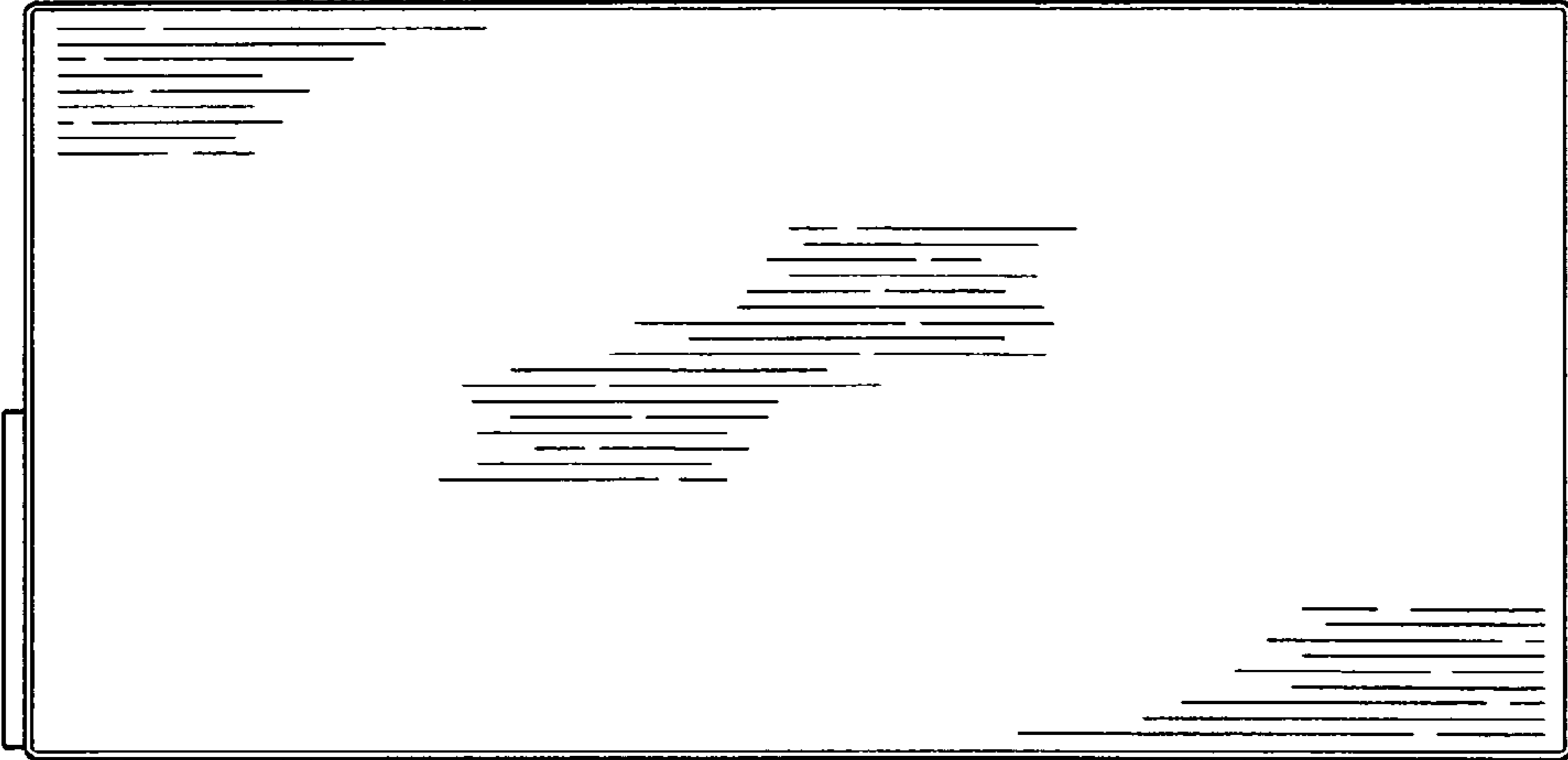


FIG. 6

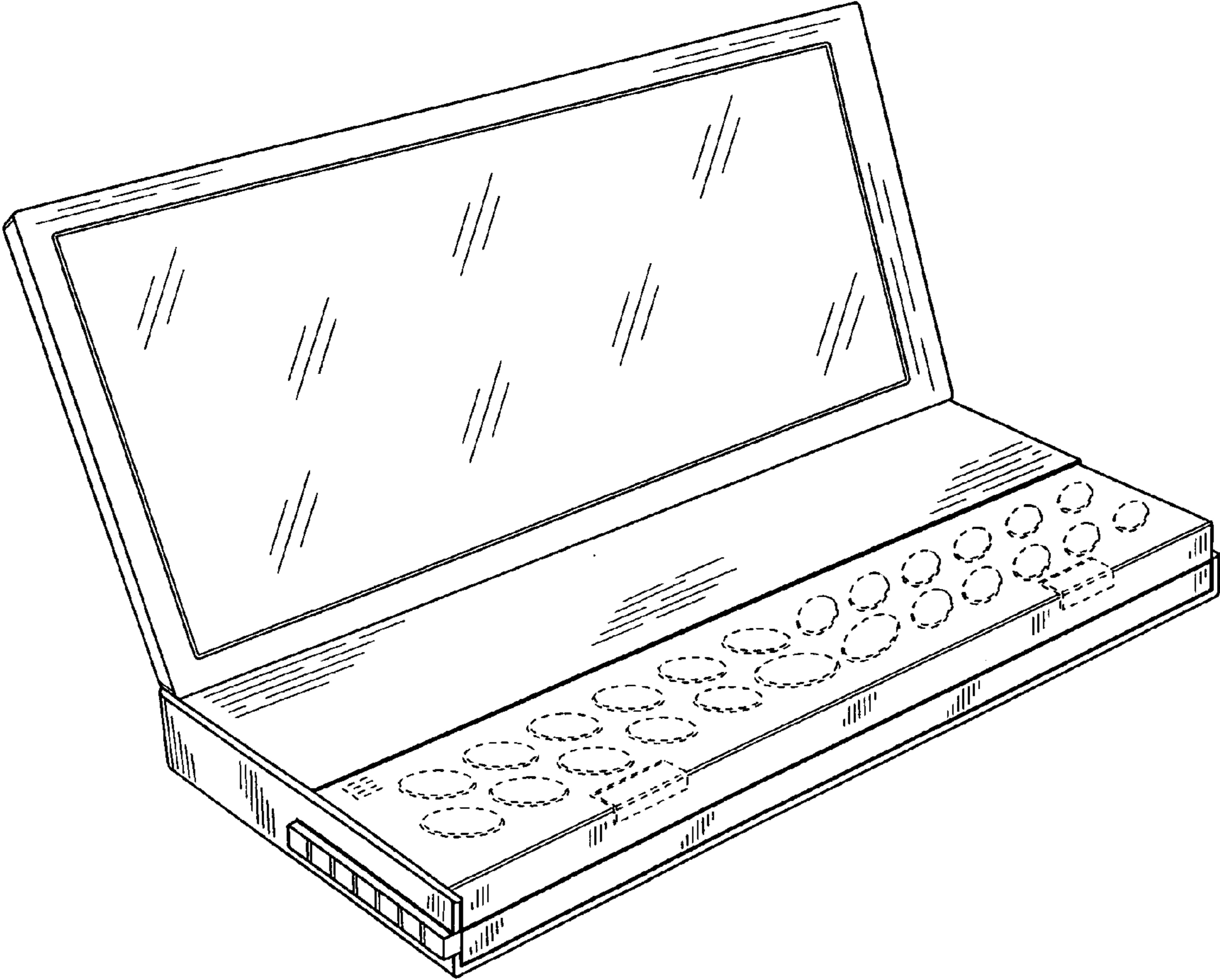


FIG. 7

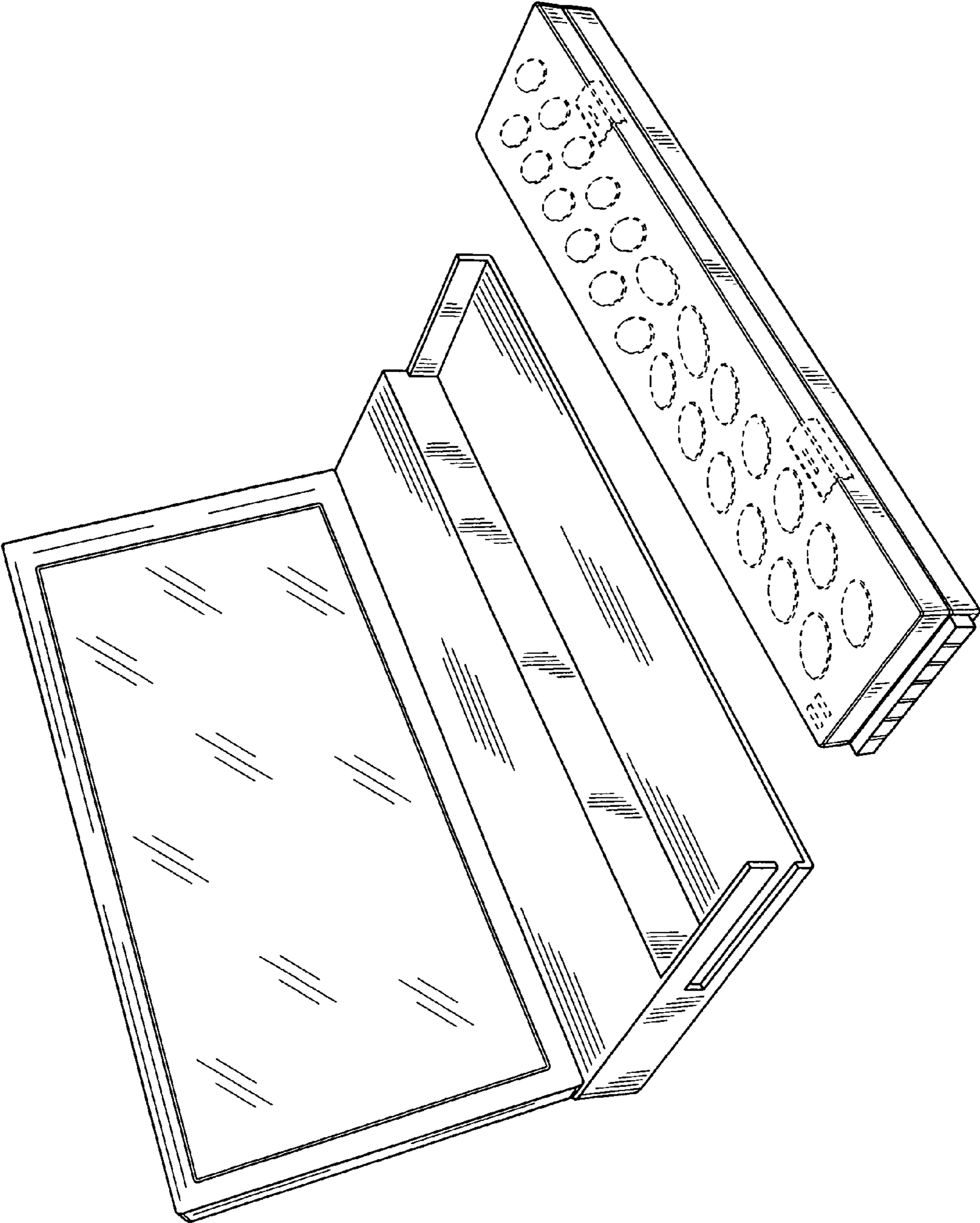


FIG. 8

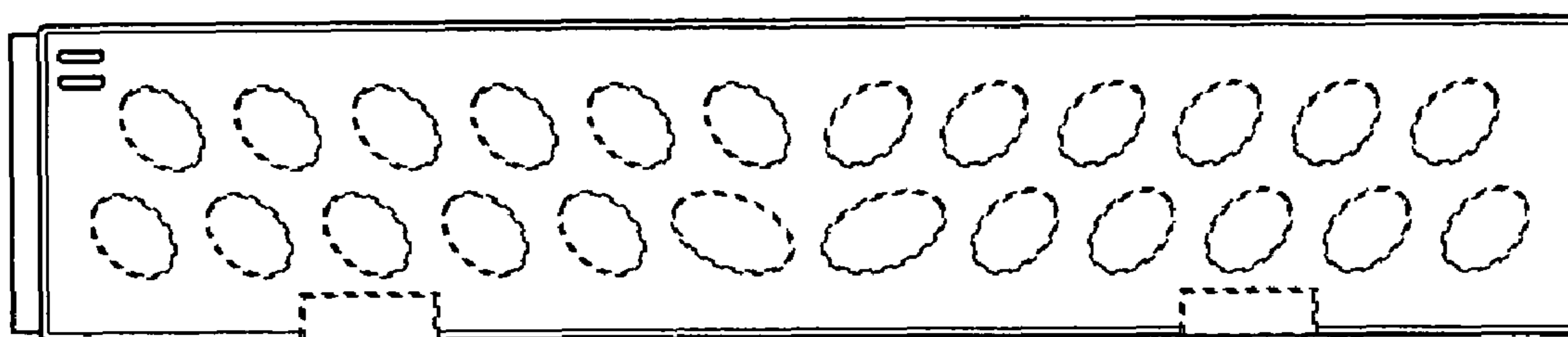


FIG. 9



FIG. 10

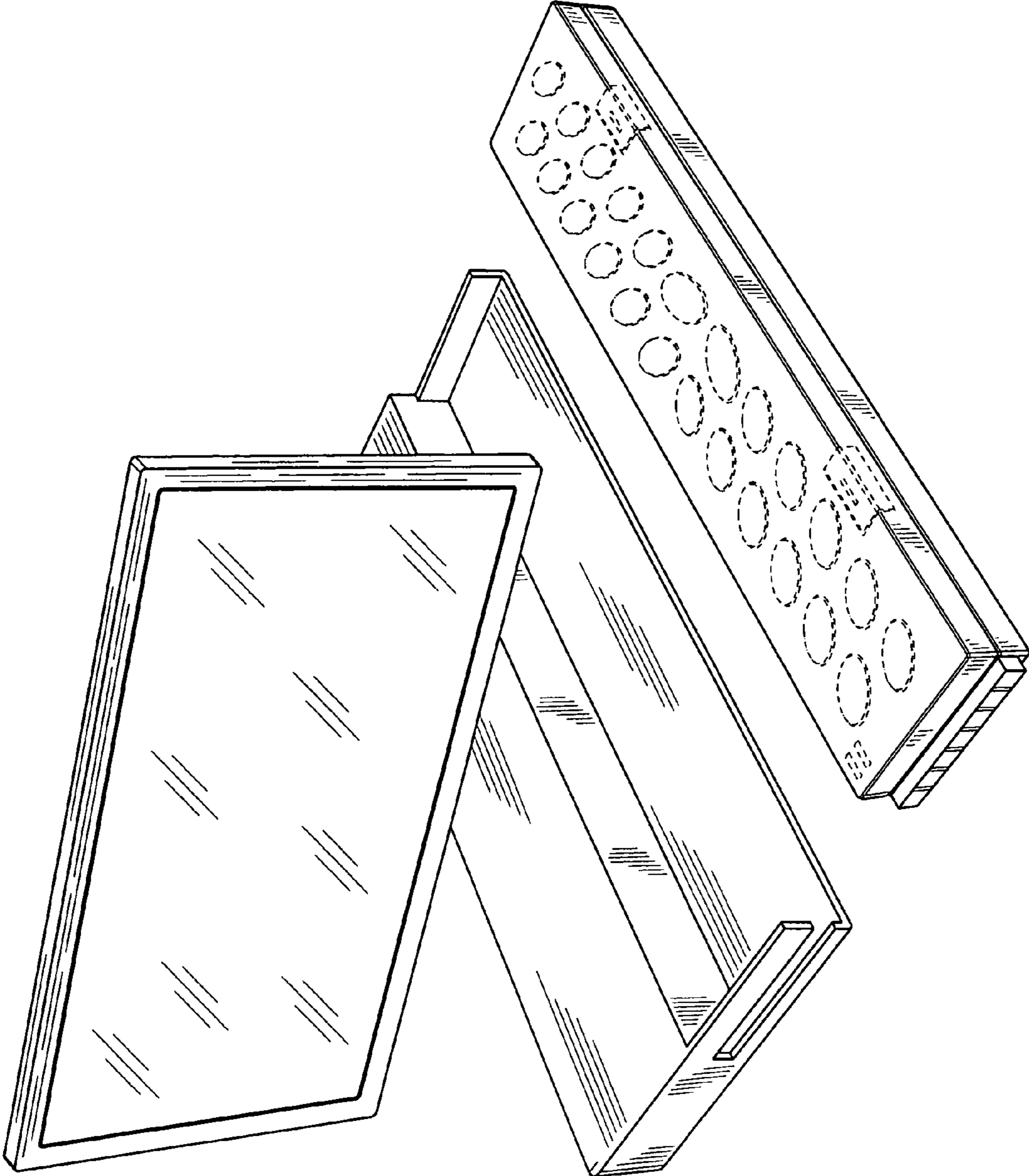


FIG. 11

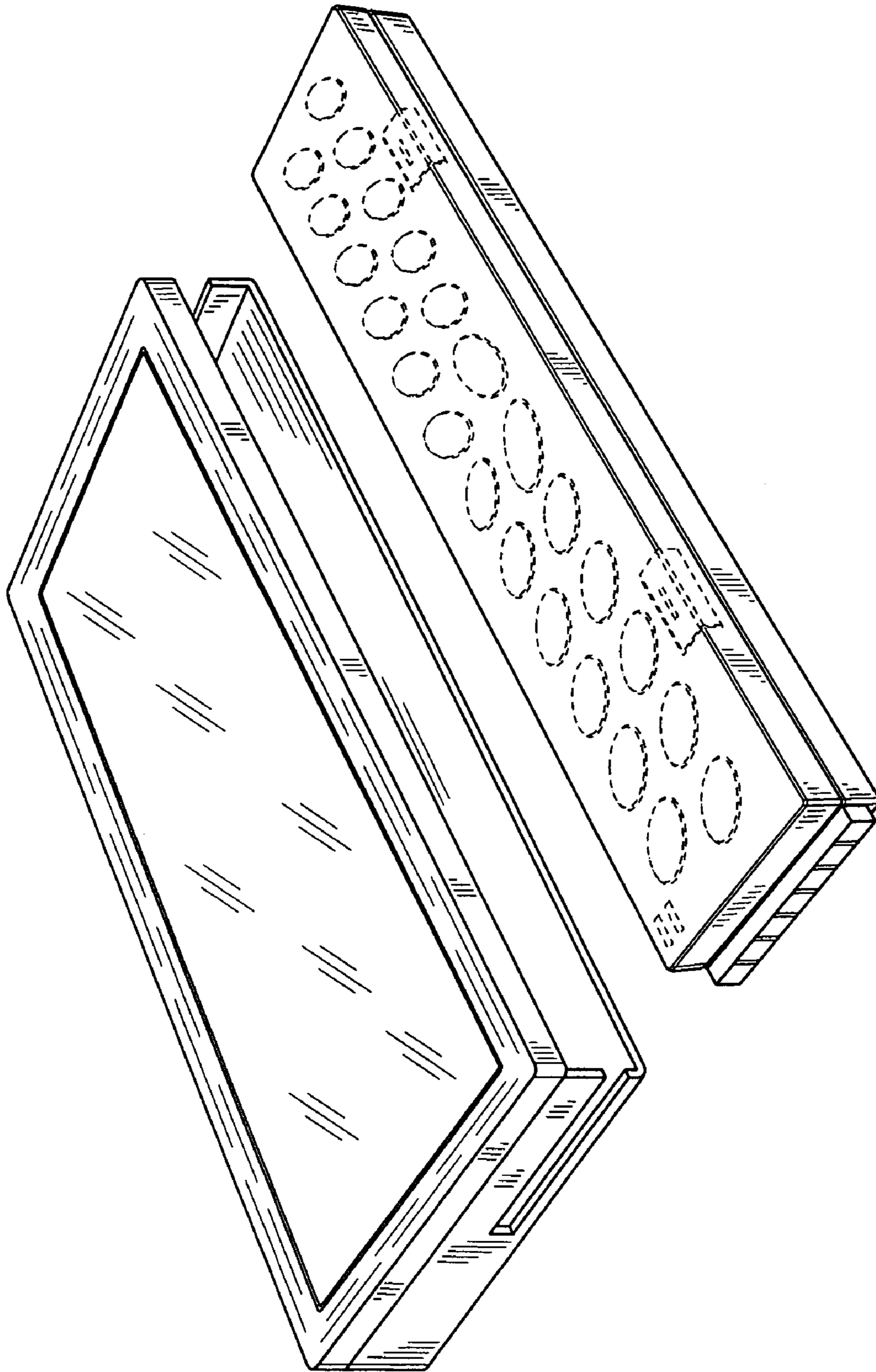


FIG. 12

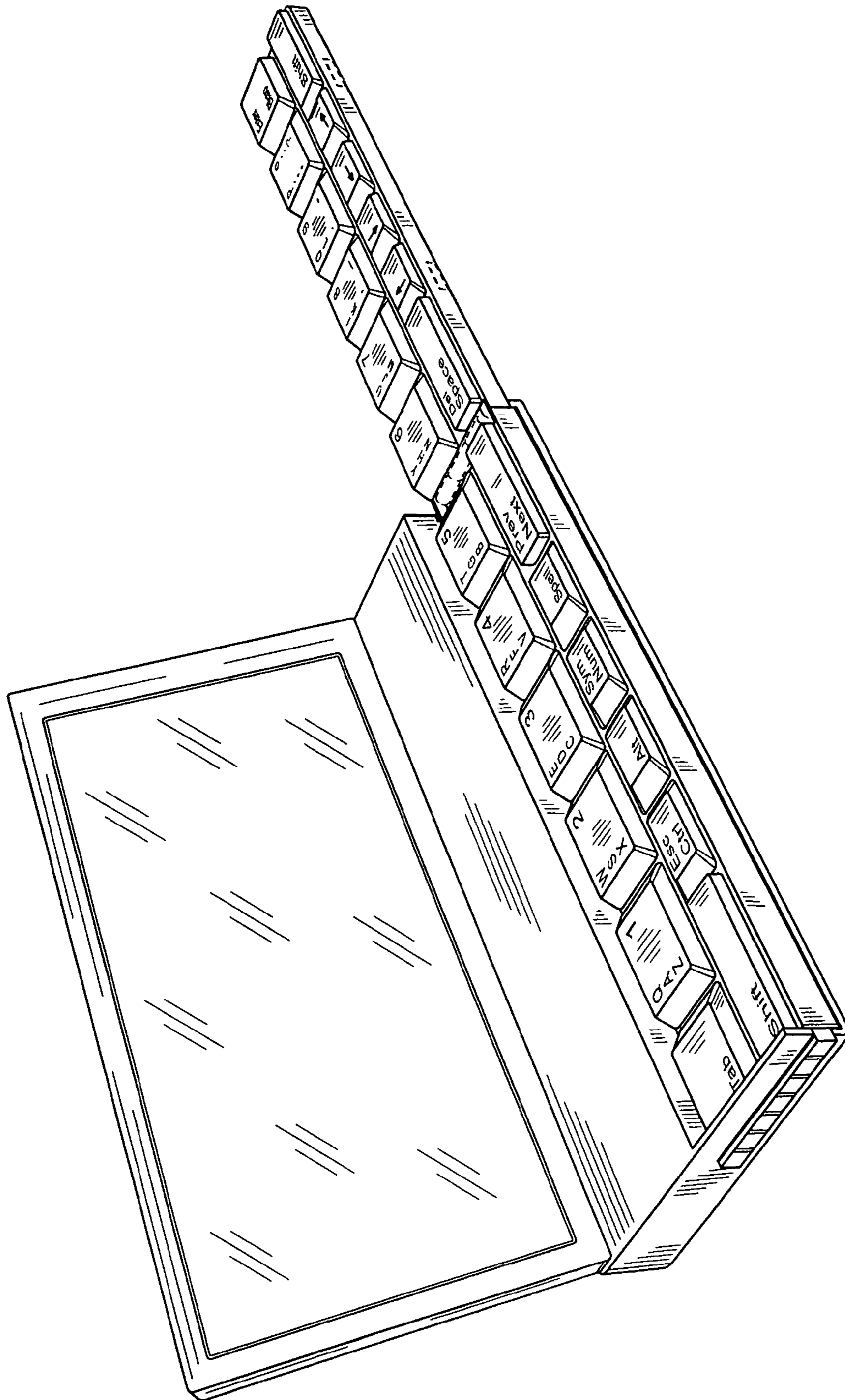


FIG. 13

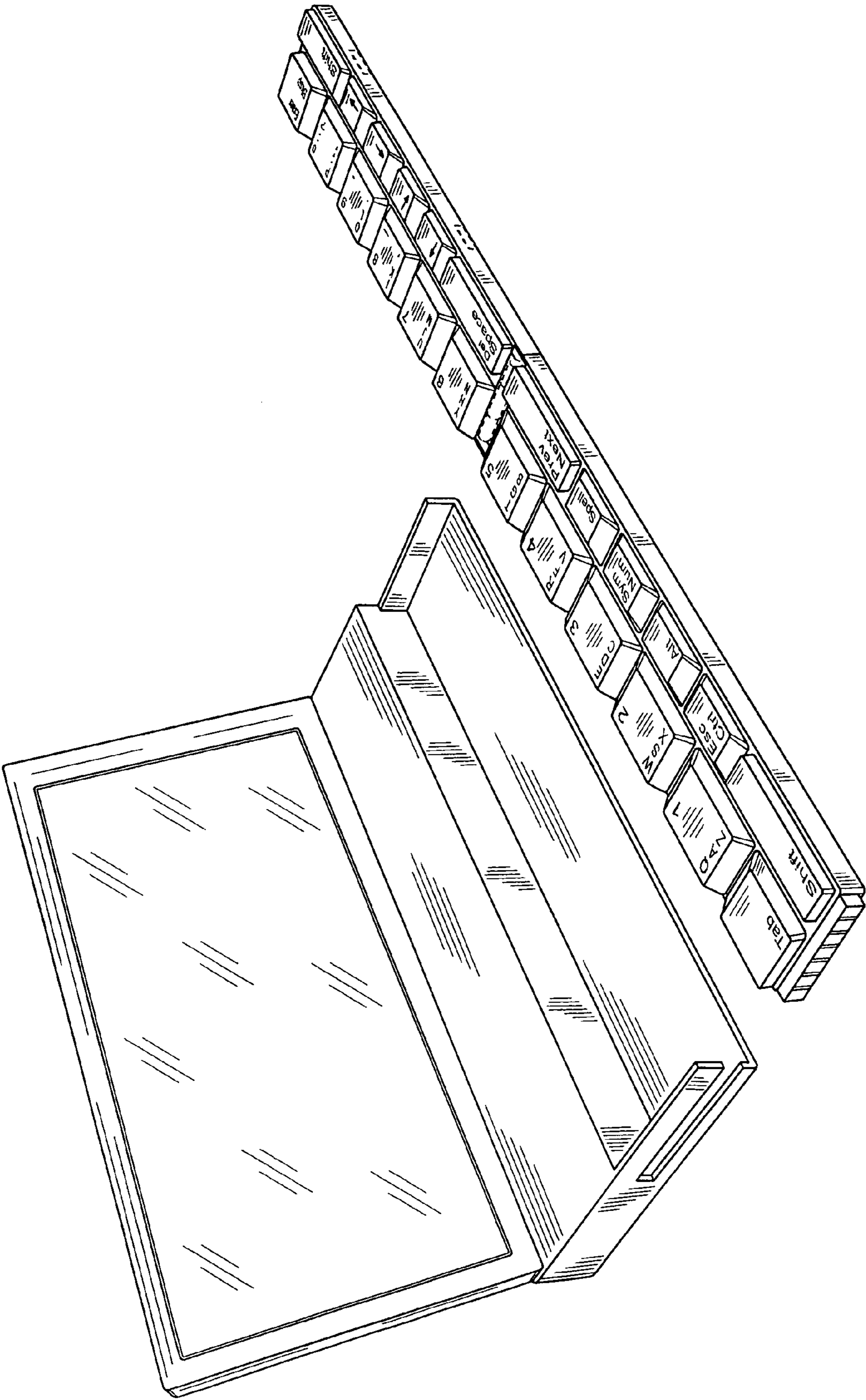


FIG. 14



FIG. 15



FIG. 16



FIG. 17



FIG. 18

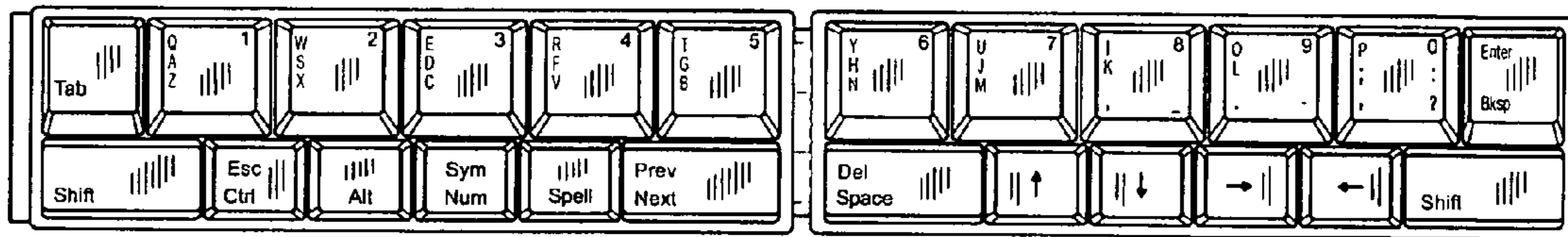


FIG. 19

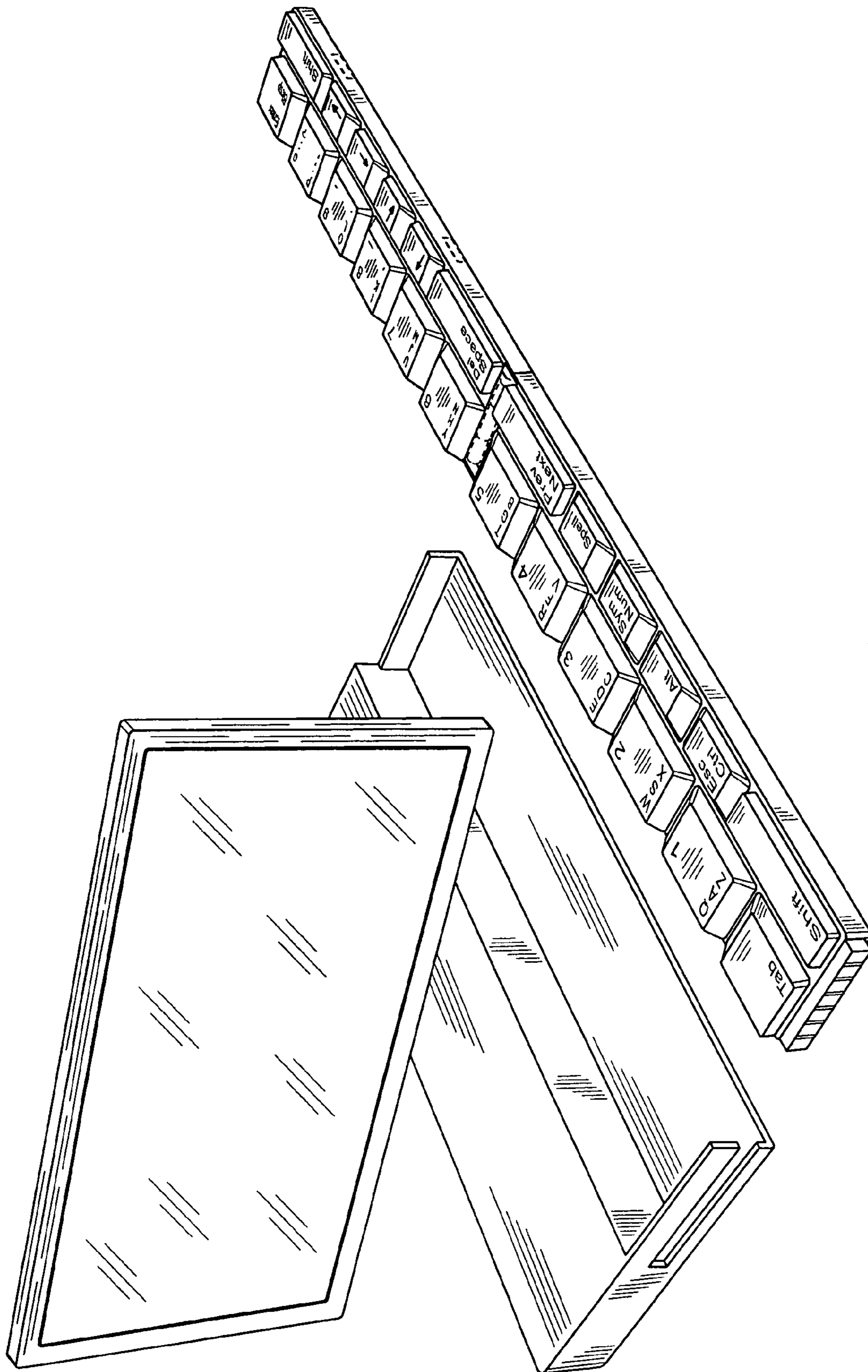


FIG. 20

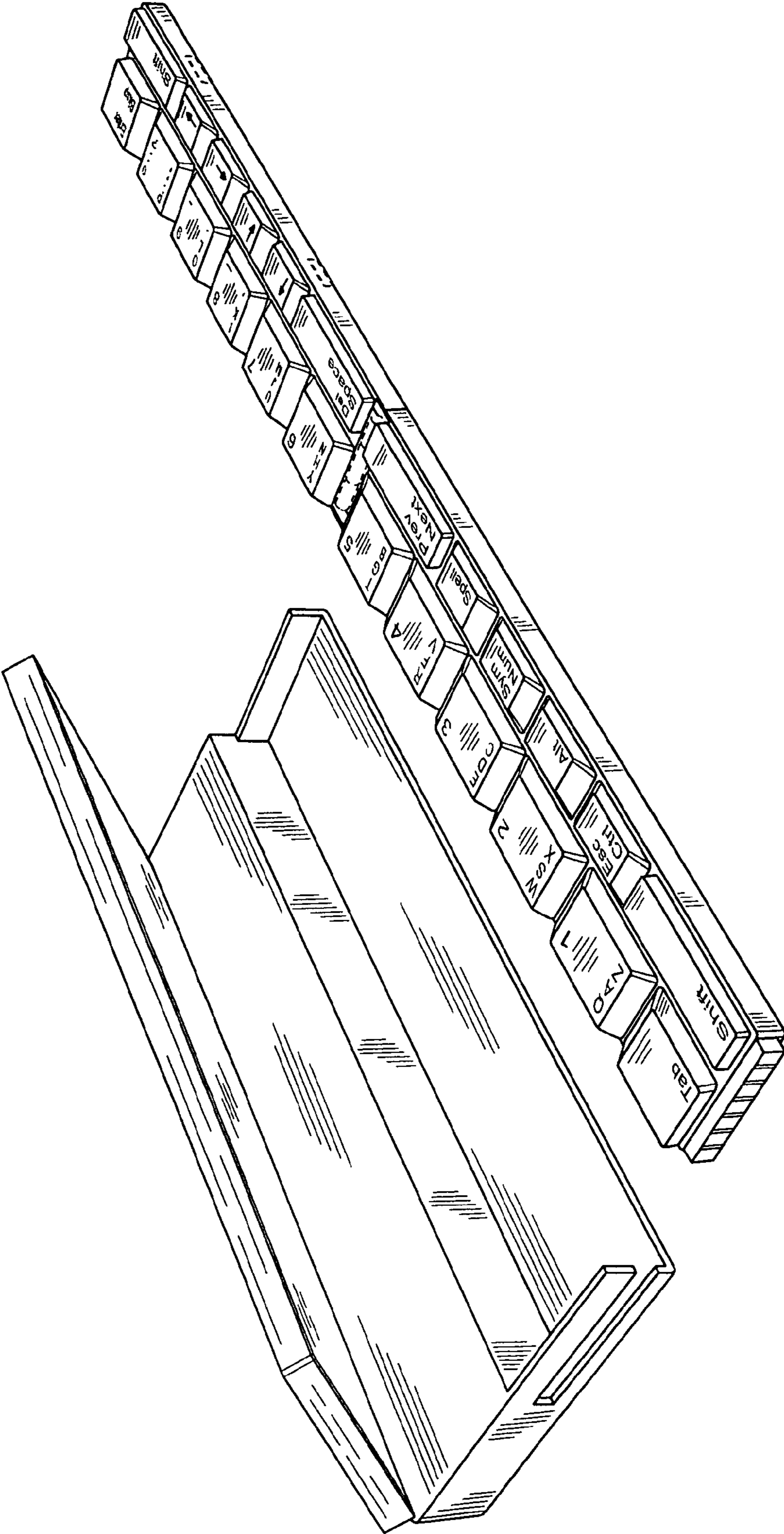


FIG. 21

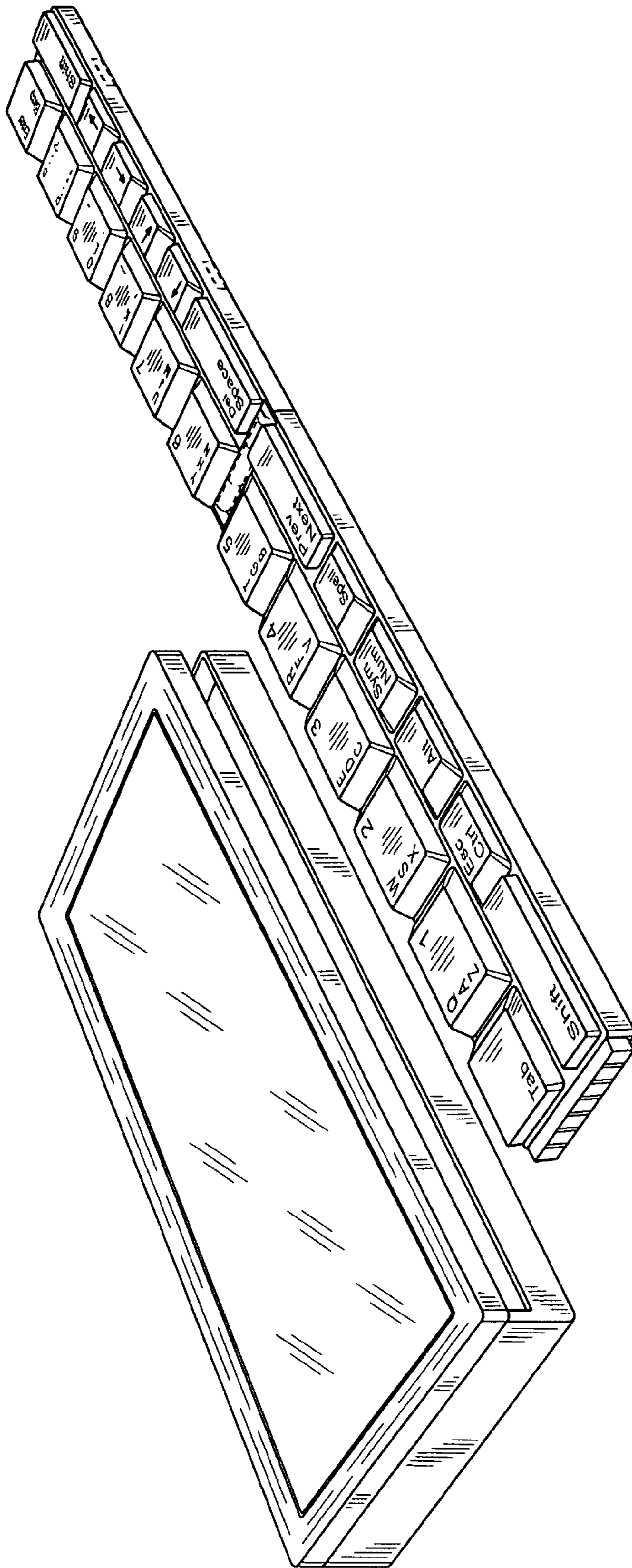


FIG. 22