



US00D565043S

(12) **United States Design Patent**
Shiono

(10) **Patent No.:** **US D565,043 S**

(45) **Date of Patent:** **** Mar. 25, 2008**

(54) **DISC PLAYER**

(75) Inventor: **Daisuke Shiono**, Tokyo (JP)

(73) Assignee: **Sony Corporation**, Tokyo (JP)

(**) Term: **14 Years**

(21) Appl. No.: **29/271,903**

(22) Filed: **Jan. 30, 2007**

(30) **Foreign Application Priority Data**

Aug. 18, 2006 (JP) D2006-021946

(51) **LOC (8) Cl.** **14-01**

(52) **U.S. Cl.** **D14/258**

(58) **Field of Classification Search** D14/258,
D14/257, 224, 217, 198, 197, 193, 192, 188,
D14/168, 167, 165, 164, 163, 162, 161, 160,
D14/157, 156, 154, 136, 135; 720/691, 658,
720/270; 455/344, 575.1; 396/434, 93;
386/1; 369/93, 75.1; 360/47, 4; 359/550,
359/258; 349/460, 159, 10
See application file for complete search history.

(56) **References Cited**

U.S. PATENT DOCUMENTS

D411,996 S	7/1999	Yamazaki	
D445,783 S *	7/2001	Bouchard	D14/258
D452,859 S *	1/2002	Le Thellec	D14/258
D495,678 S	9/2004	Uehara	
D496,648 S	9/2004	Uehara	
D496,930 S *	10/2004	Yoshihara	D14/258
D522,489 S *	6/2006	Yoshihara	D14/157
D528,088 S	9/2006	Suzuki	

D532,006 S *	11/2006	Kim	D14/258
D538,798 S *	3/2007	Kimura et al.	D14/258
D541,795 S *	5/2007	Kimura et al.	D14/258
D544,860 S *	6/2007	Kimura et al.	D14/258

OTHER PUBLICATIONS

U.S. Appl. No. 29/240,863, filed Oct. 20, 2005, Uehara.
U.S. Appl. No. 29/240,864, filed Oct. 20, 2005, Suzuki.
U.S. Appl. No. 29/245,286, filed Dec. 22, 2005, Shiono.
U.S. Appl. No. 29/268,302, filed Nov. 03, 2006, Uehara.
U.S. Appl. No. 29/270,622, filed Dec. 29, 2006, Uehara.

* cited by examiner

Primary Examiner—Robert M. Spear

Assistant Examiner—Katrina A Kile

(74) *Attorney, Agent, or Firm*—Rader, Fishman & Grauer, PLLC

(57) **CLAIM**

The ornamental design for a disc player, as shown and described.

DESCRIPTION

FIG. 1 is a perspective view of a disc player showing my new design;

FIG. 2 is a front elevational view thereof;

FIG. 3 is a left side elevational view thereof;

FIG. 4 is a right side elevational view thereof;

FIG. 5 is a top plan view thereof; and,

FIG. 6 is a bottom plan view thereof.

The portions indicated in broken lines are for illustrative purposes only and form no part of the claimed design.

1 Claim, 6 Drawing Sheets

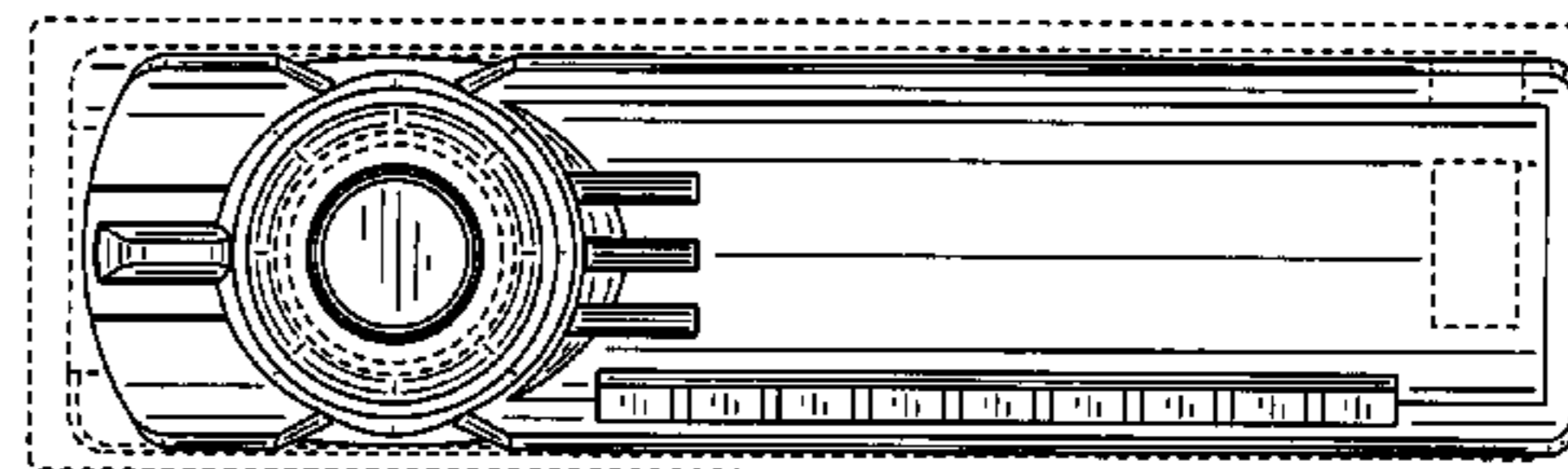
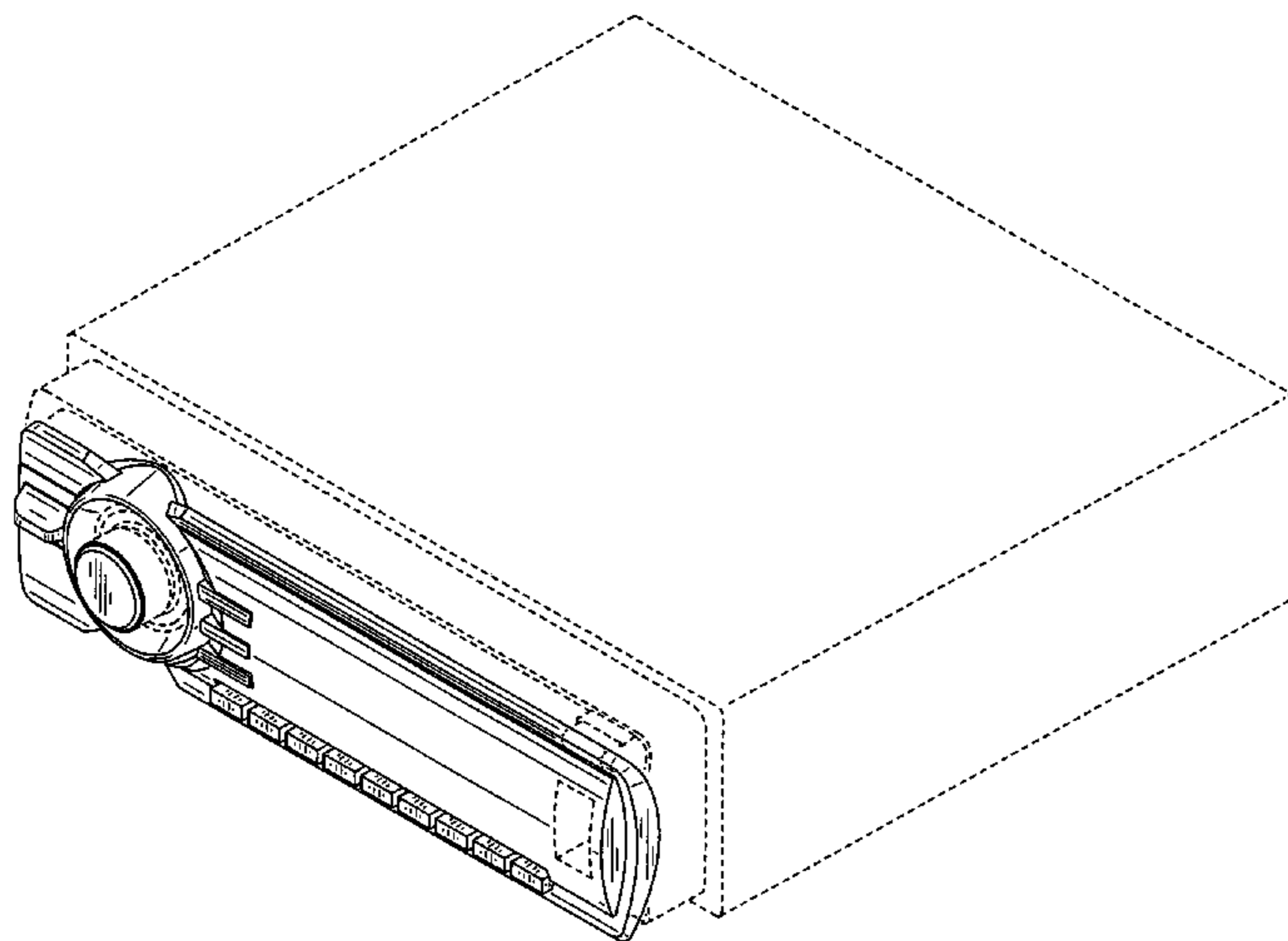


Fig. 1

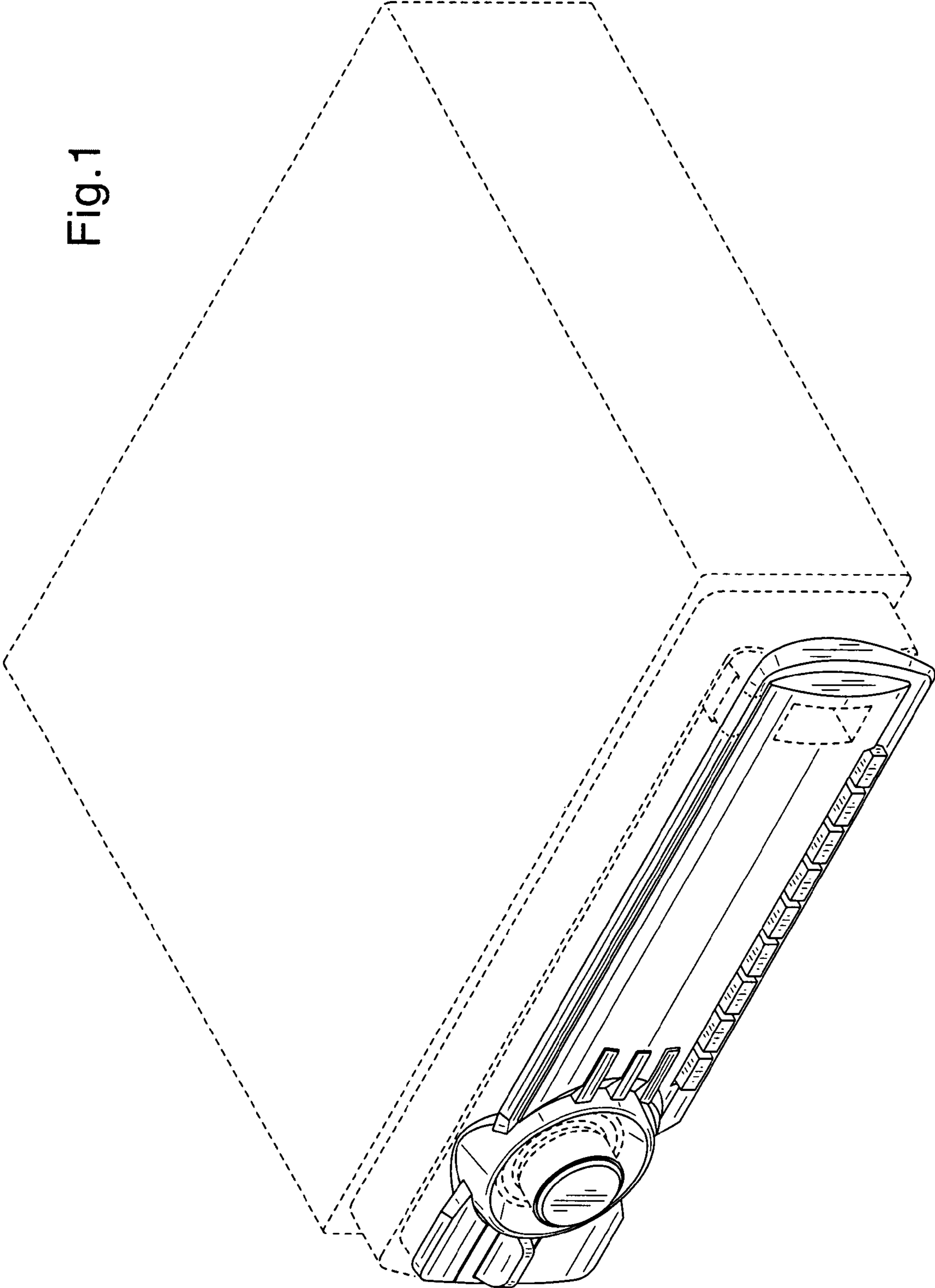


Fig.2

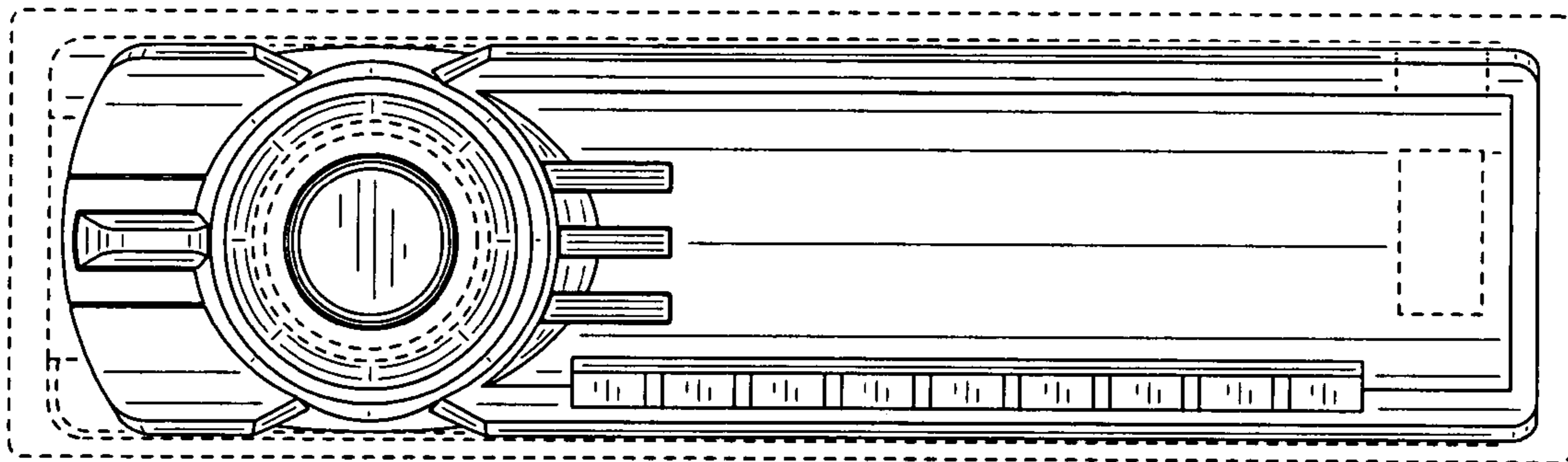


Fig.3



Fig.4



Fig.5

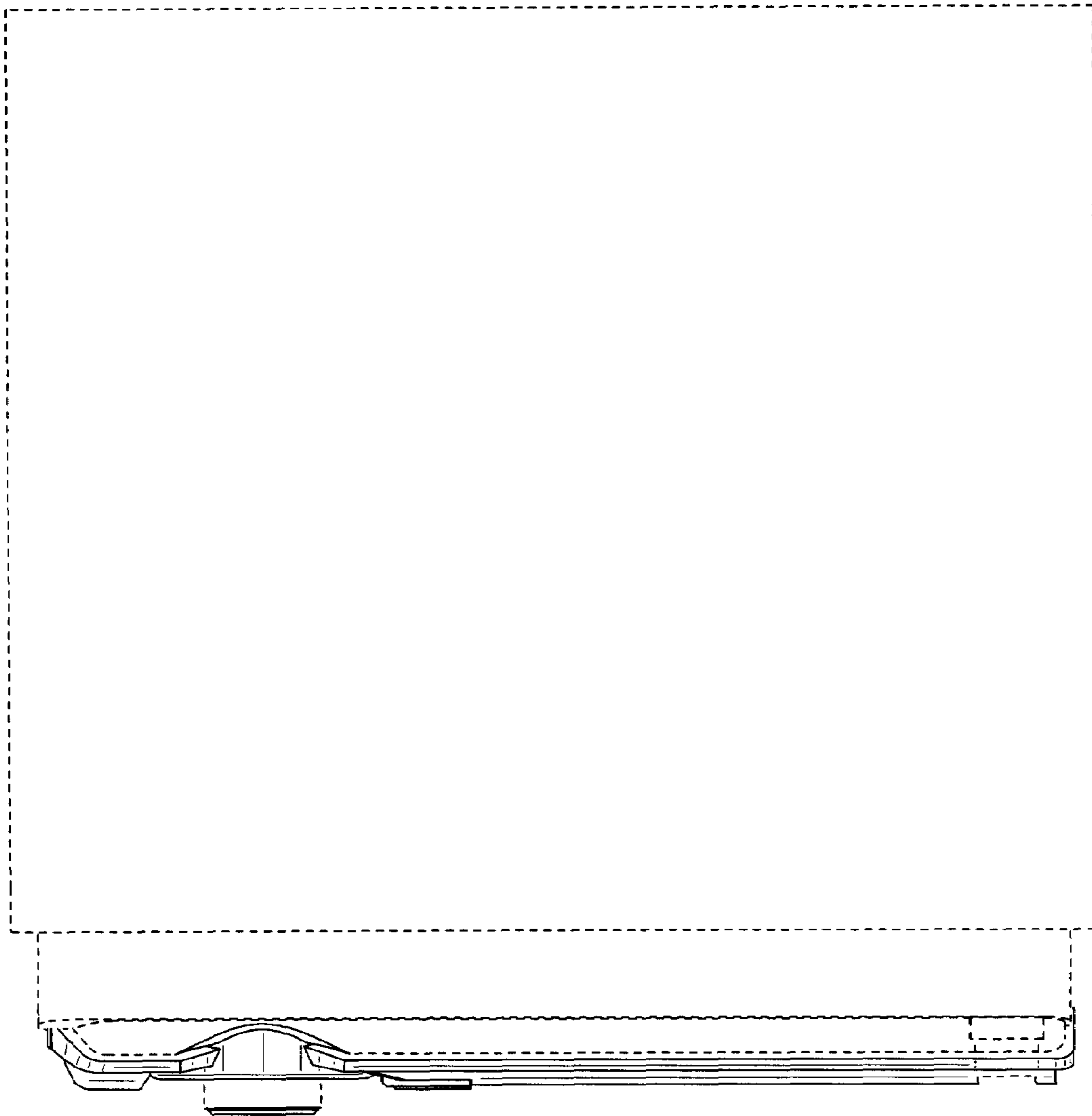


Fig.6

