



US00D565039S

(12) **United States Design Patent** (10) **Patent No.:** **US D565,039 S**
Loiske et al. (45) **Date of Patent:** **** Mar. 25, 2008**

(54) **SET OF KEY BUTTONS ARRANGEMENT FOR A HANDSET**

D506,191 S * 6/2005 Majanen D14/138
D536,325 S * 2/2007 Kim et al. D14/138
2003/0078069 A1* 4/2003 Lindeman 455/550
2004/0106429 A1* 6/2004 Park et al. 455/550.1

(75) Inventors: **Janne Loiske**, Turku (FI); **Valtteri Eroma**, Helsinki (FI)

FOREIGN PATENT DOCUMENTS

(73) Assignee: **Nokia Corporation**, Espoo (FI)

EM 000170899-0001 7/2004
EM 000170899-0002 7/2004
EM 000170899-0003 7/2004
EM 000170899-0004 7/2004
WO DM/064013 8/2003

(**) Term: **14 Years**

(21) Appl. No.: **29/279,903**

(22) Filed: **May 10, 2007**

OTHER PUBLICATIONS

Related U.S. Application Data

(62) Division of application No. 29/235,612, filed on Aug. 4, 2005.

Nokia E70, announced Oct. 2005, <URL:http://www.gsmarena.com/nokia_e70-1323.php>, retrieved from internet on Aug. 26, 2007.*

(30) **Foreign Application Priority Data**

Mar. 23, 2005 (FI) M20050050

Nokia 6822 announced 4Q 2003, <URL:http://www.gsmarena.com/nokia_6820-565.php>, retrieved from internet on Aug. 26, 2007.*

(51) **LOC (8) Cl.** **14-03**

(52) **U.S. Cl.** **D14/247**

(58) **Field of Classification Search** D14/137-138, D14/147-148, 156, 218, 247-248, 341-347, D14/496, 390, 399; D16/208; D21/329, D21/331, 333, 517; 348/14.01-14.02; 361/814; 379/433.01-433.13; 455/90.3, 556.1-556.2, 455/566, 575.1, 575.3, 575.4; D13/164, D13/168; 439/165

Nokia 6800, announced 1Q 2003, <URL:http://www.gsmarena.com/nokia_6800-369.php>, retrieved from internet on Aug. 26, 2007.*

Nokia 6810, announced 4Q 2003, <URL:http://www.gsmarena.com/nokia_6810-564.php>, retrieved from internet on Aug. 26, 2007.*

* cited by examiner

See application file for complete search history.

Primary Examiner—Ian Simmons
Assistant Examiner—Carla Jobe Wright
(74) *Attorney, Agent, or Firm*—Banner & Witcoff, Ltd.

(56) **References Cited**

U.S. PATENT DOCUMENTS

5,644,338 A * 7/1997 Bowen 345/168
D443,839 S * 6/2001 Brandenburg et al. D10/65
D454,347 S * 3/2002 Chung et al. D14/320
6,628,508 B2* 9/2003 Lieu et al. 361/680
D481,380 S * 10/2003 Helin D14/247
D481,733 S * 11/2003 Pan et al. D14/398
D487,066 S * 2/2004 Gartrell et al. D14/138
D488,465 S * 4/2004 Gartrell et al. D14/247
D504,888 S * 5/2005 Majanen D14/247

(57) **CLAIM**

The ornamental design for a set of key buttons for a handset, as shown and described.

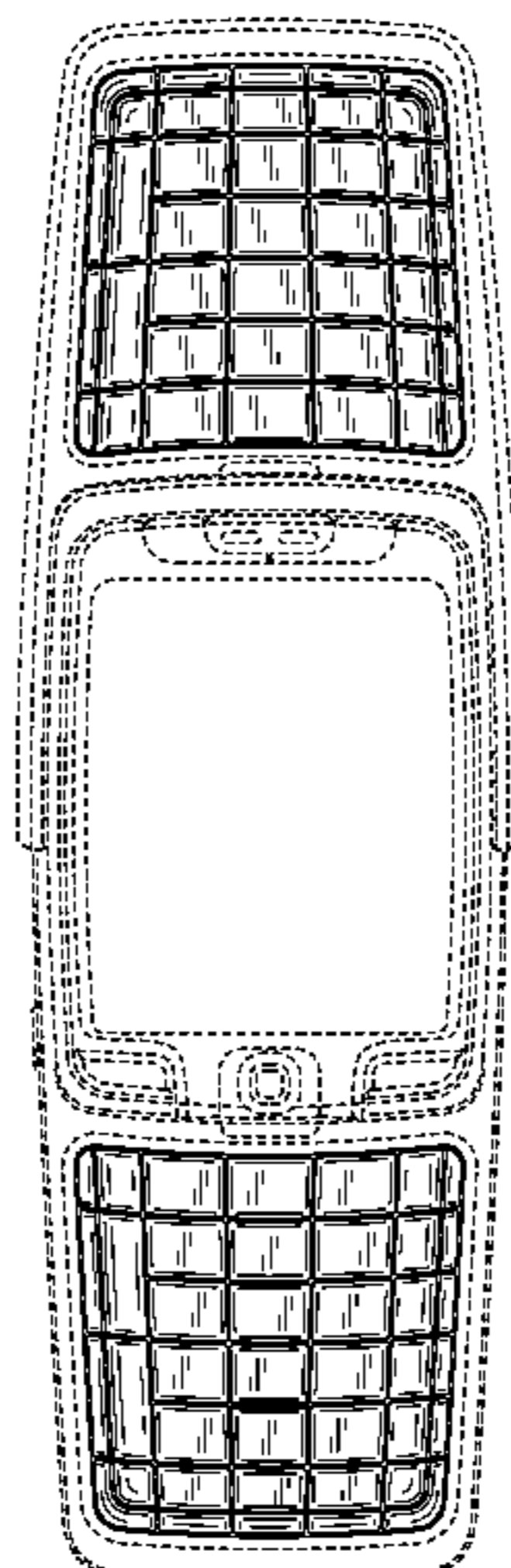
DESCRIPTION

FIG. 1 is a front view of a set of key buttons for a handset showing our new design; and,

FIG. 2 is a perspective front view thereof.

The broken line showing of environmental structures is for illustrative purposes only and forms no part of the claimed design.

1 Claim, 2 Drawing Sheets



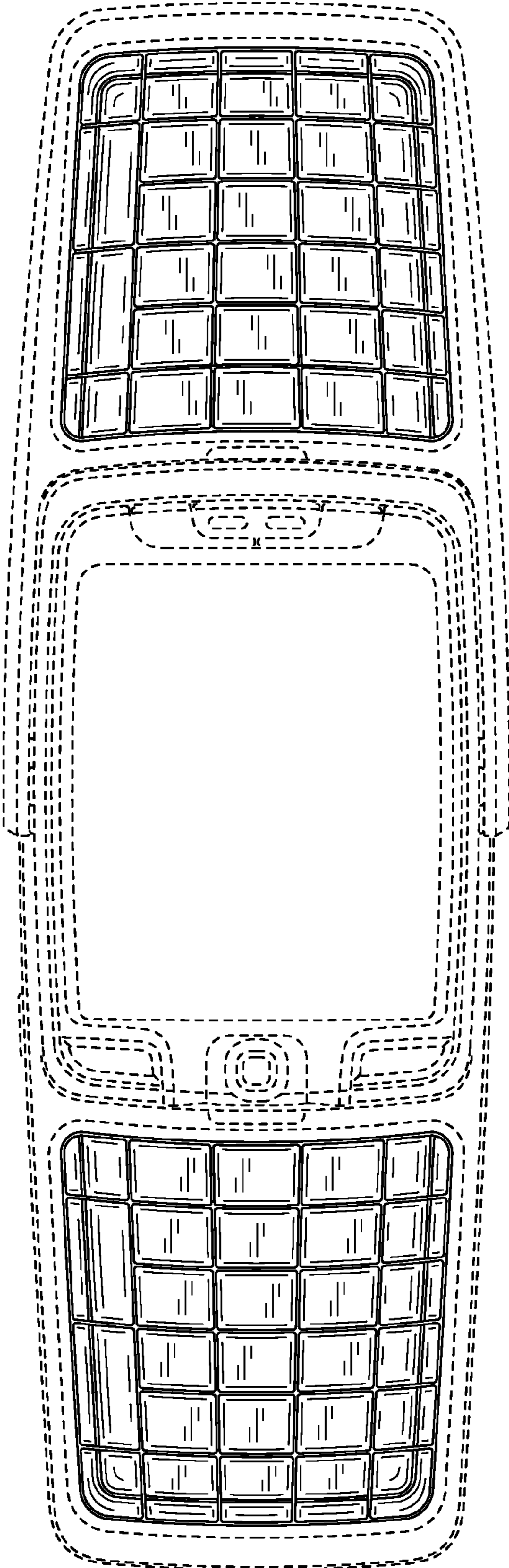


FIG. 1

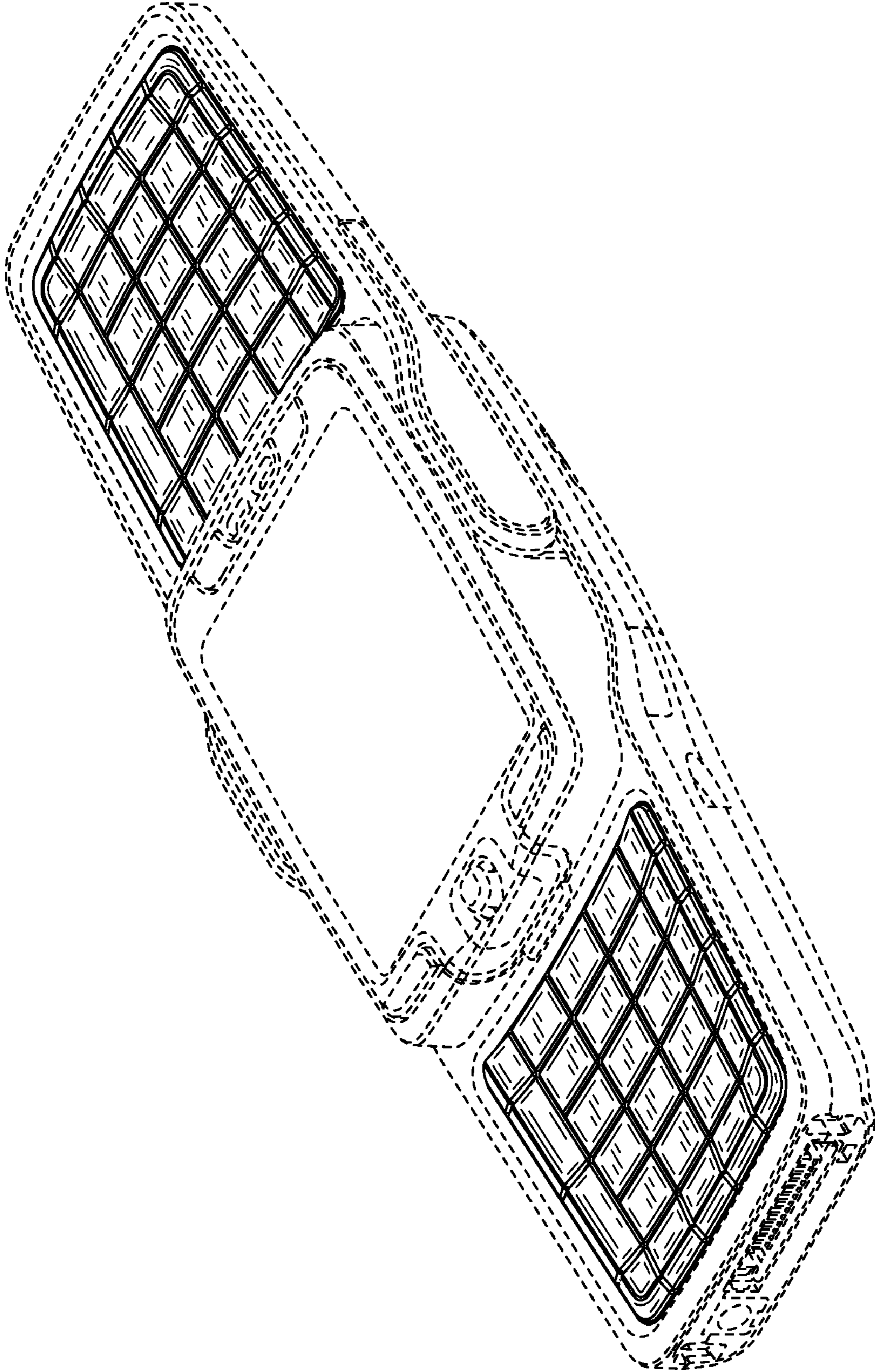


FIG. 2