



US00D565038S

(12) **United States Design Patent**
Lee et al.

(10) **Patent No.:** **US D565,038 S**
(45) **Date of Patent:** **** Mar. 25, 2008**

(54) **PORTABLE PHONE**

(75) Inventors: **Kyung-Jin Lee**, Seoul (KR); **Sang-Min Hyun**, Seoul (KR); **Chang-Soo Lee**, Incheon (KR)

(73) Assignee: **Samsung Electronics Co., Ltd.**, Suwon-Si (KR)

(**) Term: **14 Years**

(21) Appl. No.: **29/257,549**

(22) Filed: **Apr. 7, 2006**

(30) **Foreign Application Priority Data**

Oct. 28, 2005 (KR) 30-2005-0036443

(51) **LOC (8) Cl.** **14-03**

(52) **U.S. Cl.** **D14/247**

(58) **Field of Classification Search** D14/137-138, D14/147-148, 156, 218, 247-248, 341-347, D14/496, 390, 399, 455, 456; D16/208; D21/329, 331, 333, 517; 348/14.01-14.02; 361/814; 379/433.01-433.13; 455/90.3, 455/556.1-556.2, 566, 575.1, 575.3, 575.4; D13/164, 168; 439/165; 343/702

See application file for complete search history.

(56) **References Cited**

U.S. PATENT DOCUMENTS

D507,562 S * 7/2005 Kim D14/247
D509,816 S * 9/2005 Kim et al. D14/138
D535,275 S * 1/2007 Kim et al. D14/138
D535,960 S * 1/2007 Kim et al. D14/138
D543,965 S * 6/2007 Lee et al. D14/138
D546,313 S * 7/2007 Lheem D14/138
D546,315 S * 7/2007 Kim et al. D14/138

D548,711 S * 8/2007 Lee et al. D14/138
D552,069 S * 10/2007 Lee et al. D14/138
2004/0185923 A1 * 9/2004 Park et al. 455/575.1
2005/0250532 A1 * 11/2005 Hwang et al. 455/550.1
2006/0142073 A1 * 6/2006 Gordecki 455/575.4
2007/0080874 A1 * 4/2007 Jeon et al. 343/702

OTHER PUBLICATIONS

Motorola V3x, 1Q 2005, <URL:www.gsmarena.com>, retrieved from internet Oct. 15, 2007.*

Sony Ericsson Z520, Jun. 2005, <URL:www.gsmarena.com>, retrieved from internet Oct. 15, 2007.*

* cited by examiner

Primary Examiner—Charles A. Rademaker

Assistant Examiner—Carla Jobe Wright

(74) *Attorney, Agent, or Firm*—Staas & Halsey LLP

(57) **CLAIM**

The ornamental design for a portable phone, as shown and described.

DESCRIPTION

FIG. 1 is a perspective view of a portable phone showing our new design in an open state:

FIG. 2 is a rear view thereof;

FIG. 3 is a front view thereof;

FIG. 4 is a left side view thereof;

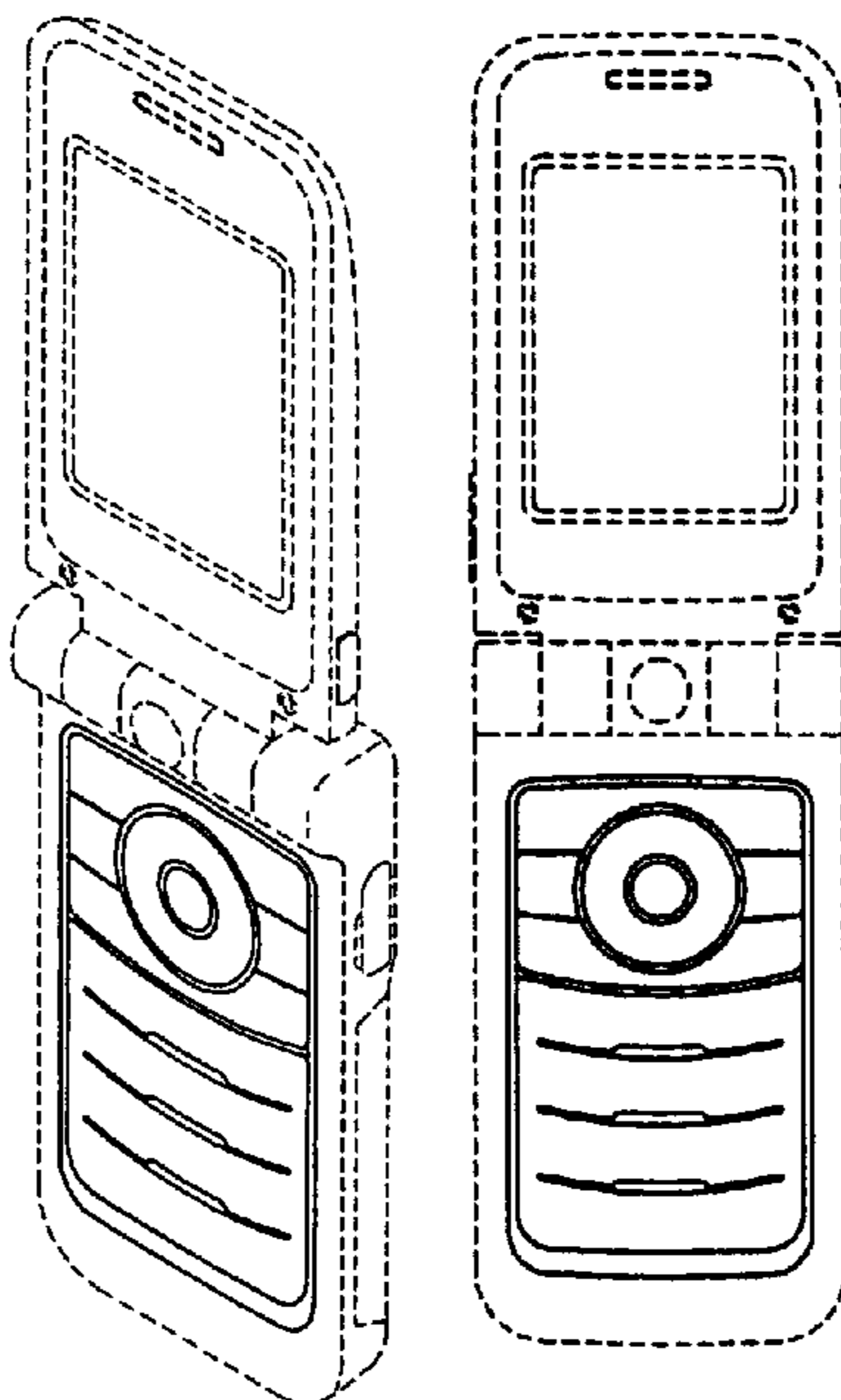
FIG. 5 is a right side view thereof;

FIG. 6 is a top plan view thereof; and,

FIG. 7 is a bottom plan view thereof.

The broken line showing of environmental structures is for illustrative purposes only and forms no part of the claimed design.

1 Claim, 4 Drawing Sheets



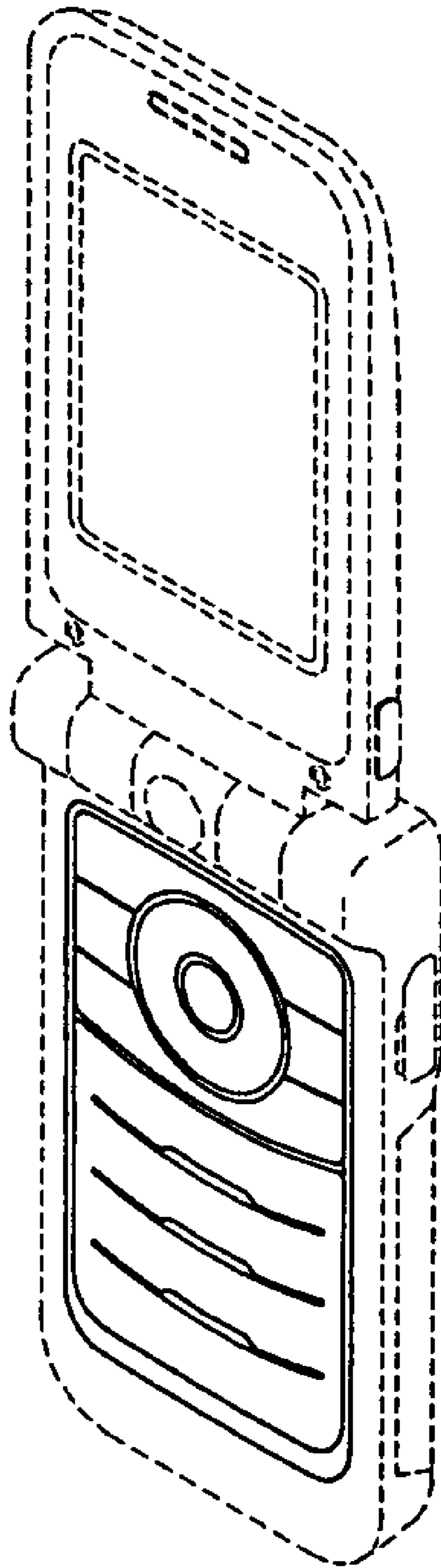


FIG. 1

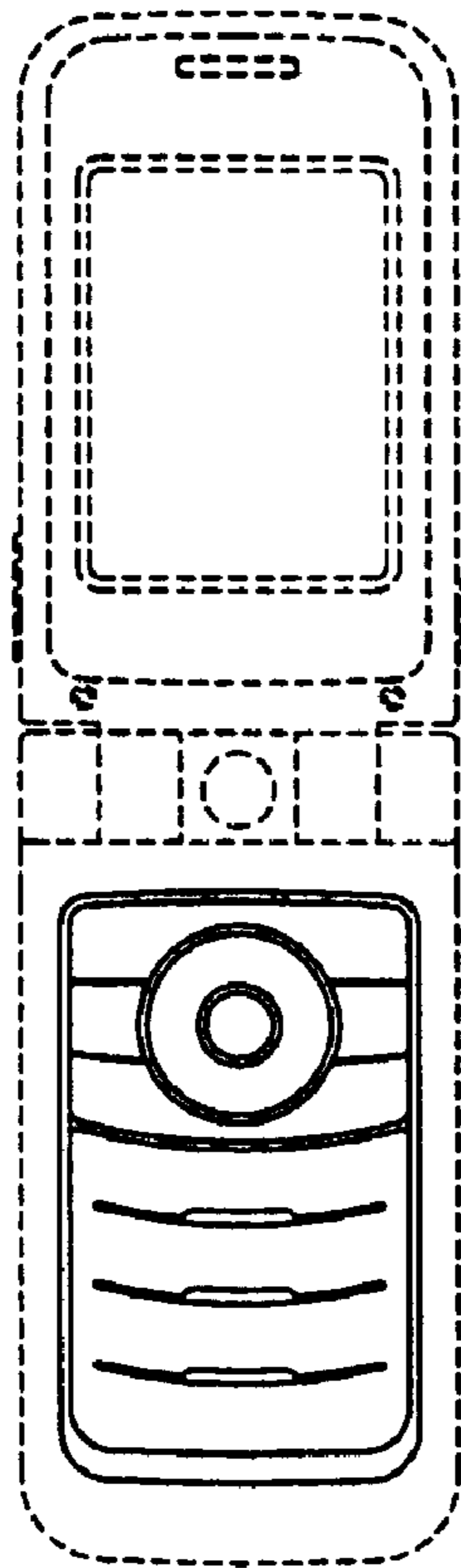


FIG. 2

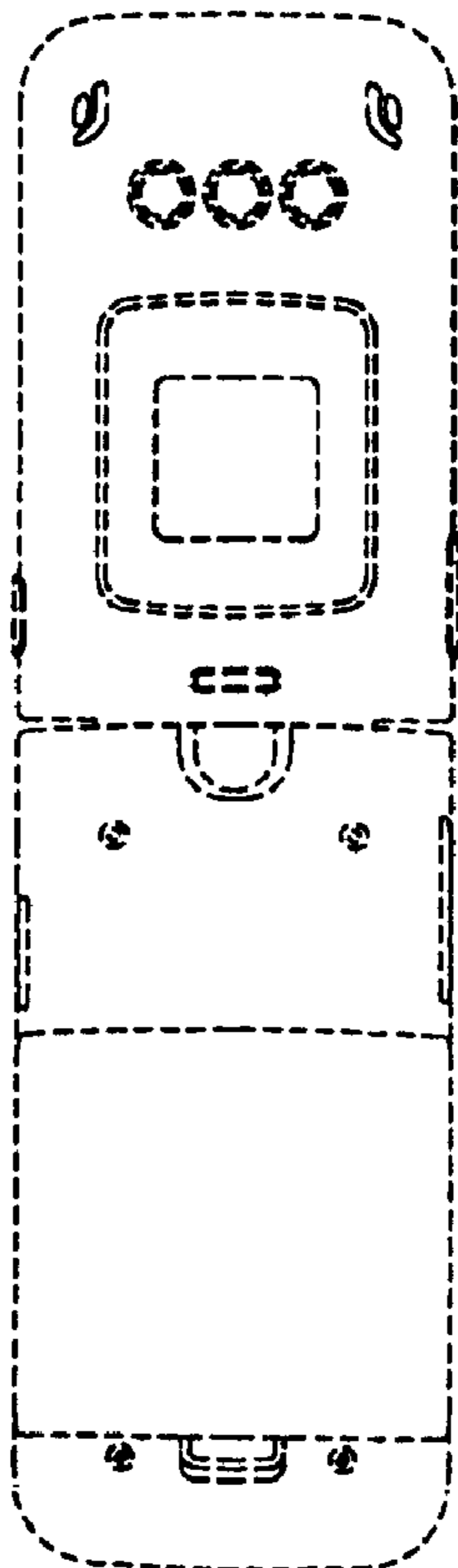


FIG. 3



FIG. 4



FIG. 5

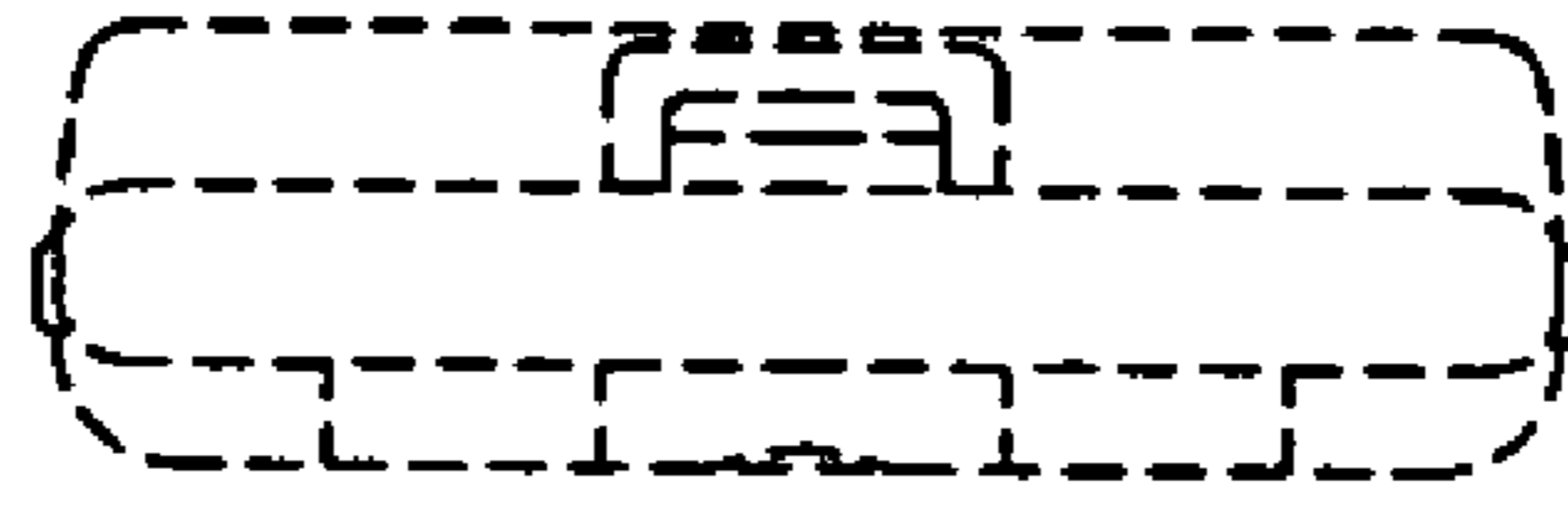


FIG. 6

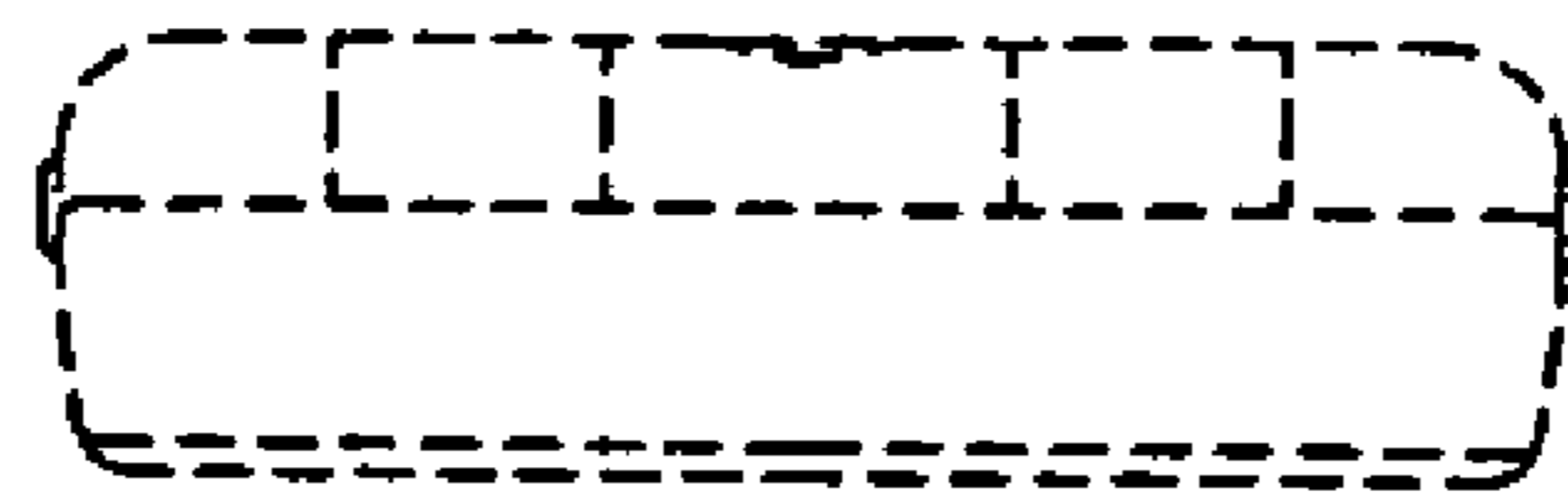


FIG. 7