

US00D565035S

(12) **United States Design Patent**
Takisawa et al.

(10) **Patent No.:** **US D565,035 S**
(45) **Date of Patent:** **** Mar. 25, 2008**

(54) **ANTENNA**

(75) Inventors: **Hisashi Takisawa**, Katagami (JP);
Junichi Noro, Katagami (JP); **Kyuichi Sato**, Katagami (JP); **Arata Togashi**, Katagami (JP)

(73) Assignee: **Mitsumi Electric Co., Ltd.**, Tokyo (JP)

(**) Term: **14 Years**

(21) Appl. No.: **29/254,300**

(22) Filed: **Feb. 22, 2006**

(30) **Foreign Application Priority Data**

Oct. 26, 2005 (JP) 2005-031278

(51) **LOC (8) Cl.** **14-03**

(52) **U.S. Cl.** **D14/230**

(58) **Field of Classification Search** D14/138,
D14/230-238, 299, 358; D12/42, 43; 343/700 R-705,
343/871-908, 795, 840, 711-713, 819, 846;
455/90.2, 90.3, 91, 128, 269, 344, 347, 562.1
See application file for complete search history.

(56) **References Cited**

U.S. PATENT DOCUMENTS

4,992,799 A * 2/1991 Garay 343/702
D333,470 S * 2/1993 Vong D14/230

D345,564 S * 3/1994 Kadono et al. D14/230
5,467,477 A * 11/1995 Furuta et al. 455/348
7,071,885 B2 * 7/2006 Noro et al. 343/713
2006/0017632 A1 * 1/2006 Funatsu 343/713
2006/0071856 A1 * 4/2006 Shinkai et al. 343/700 MS

* cited by examiner

Primary Examiner—Louis S. Zarfes

Assistant Examiner—John Windmuller

(74) *Attorney, Agent, or Firm*—Sughrue Mion, PLLC

(57) **CLAIM**

The ornamental design for an antenna, as shown and described.

DESCRIPTION

FIG. 1 is a perspective view of the top, front and right side of an antenna showing our new design;

FIG. 2 is a perspective view thereof when in use;

FIG. 3 is a front elevational view thereof;

FIG. 4 is a rear elevational view thereof;

FIG. 5 is a top plan view thereof;

FIG. 6 is a bottom plan view thereof;

FIG. 7 is a left side elevational view thereof; and,

FIG. 8 is a right side elevational view thereof.

1 Claim, 3 Drawing Sheets

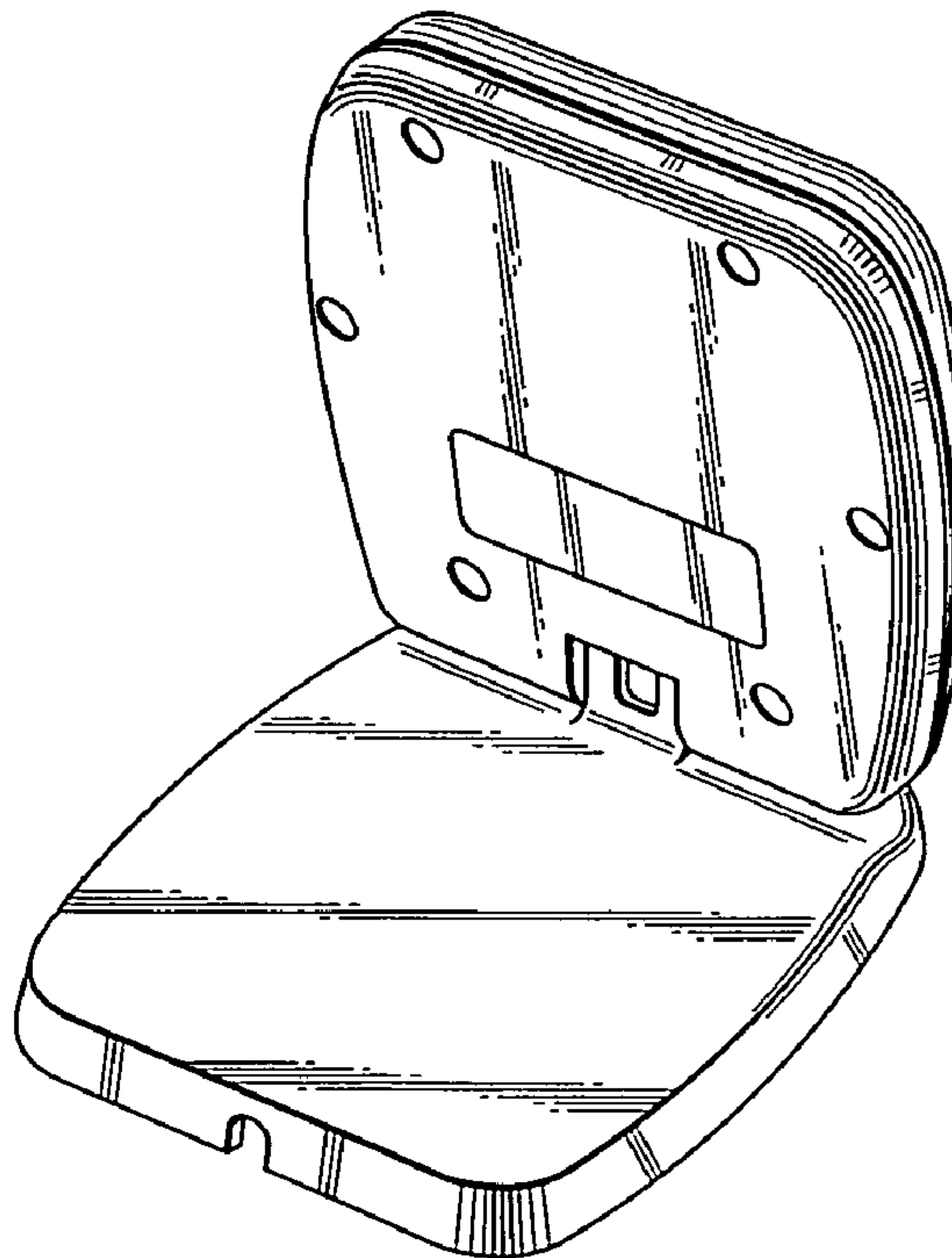
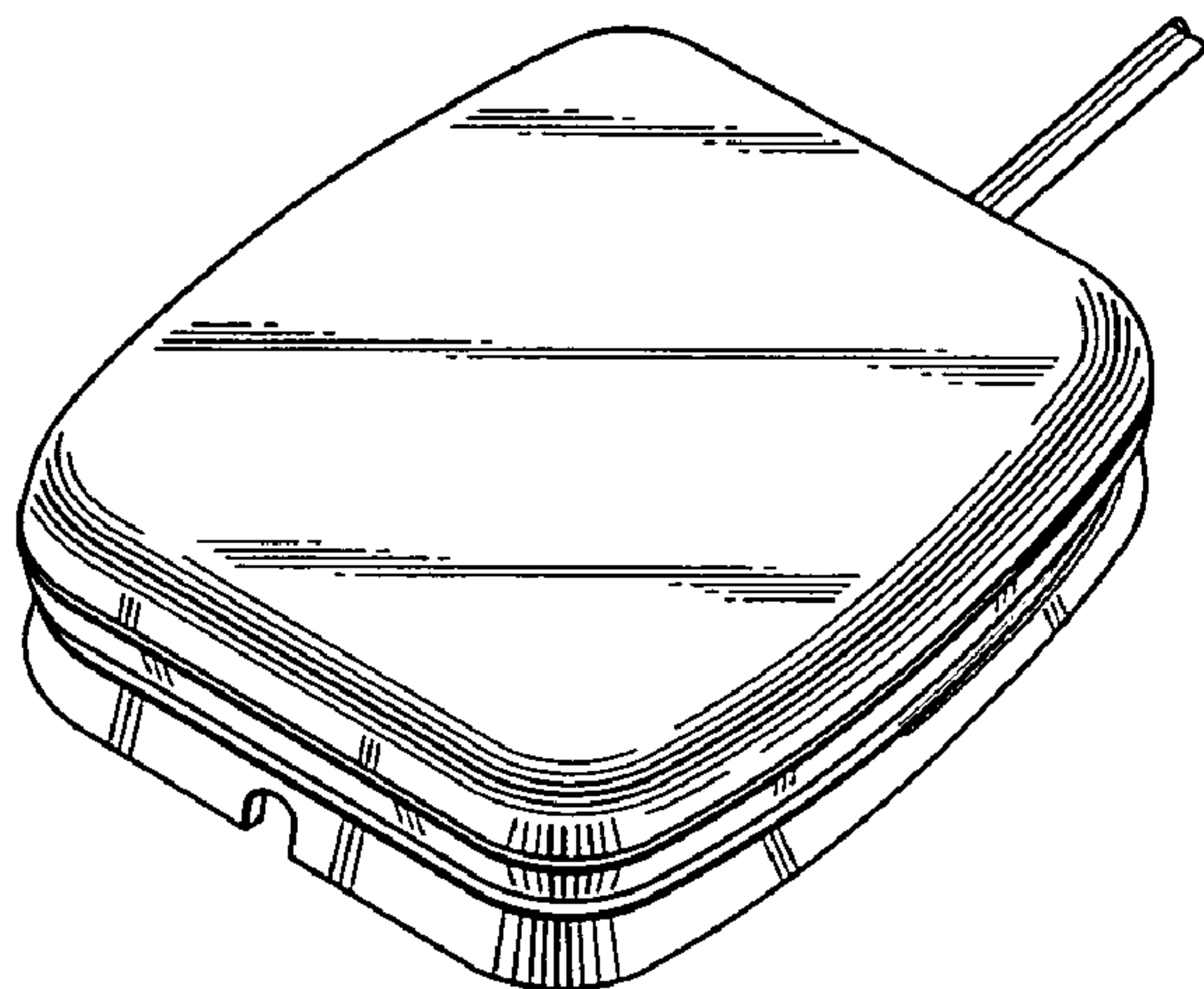


FIG.1

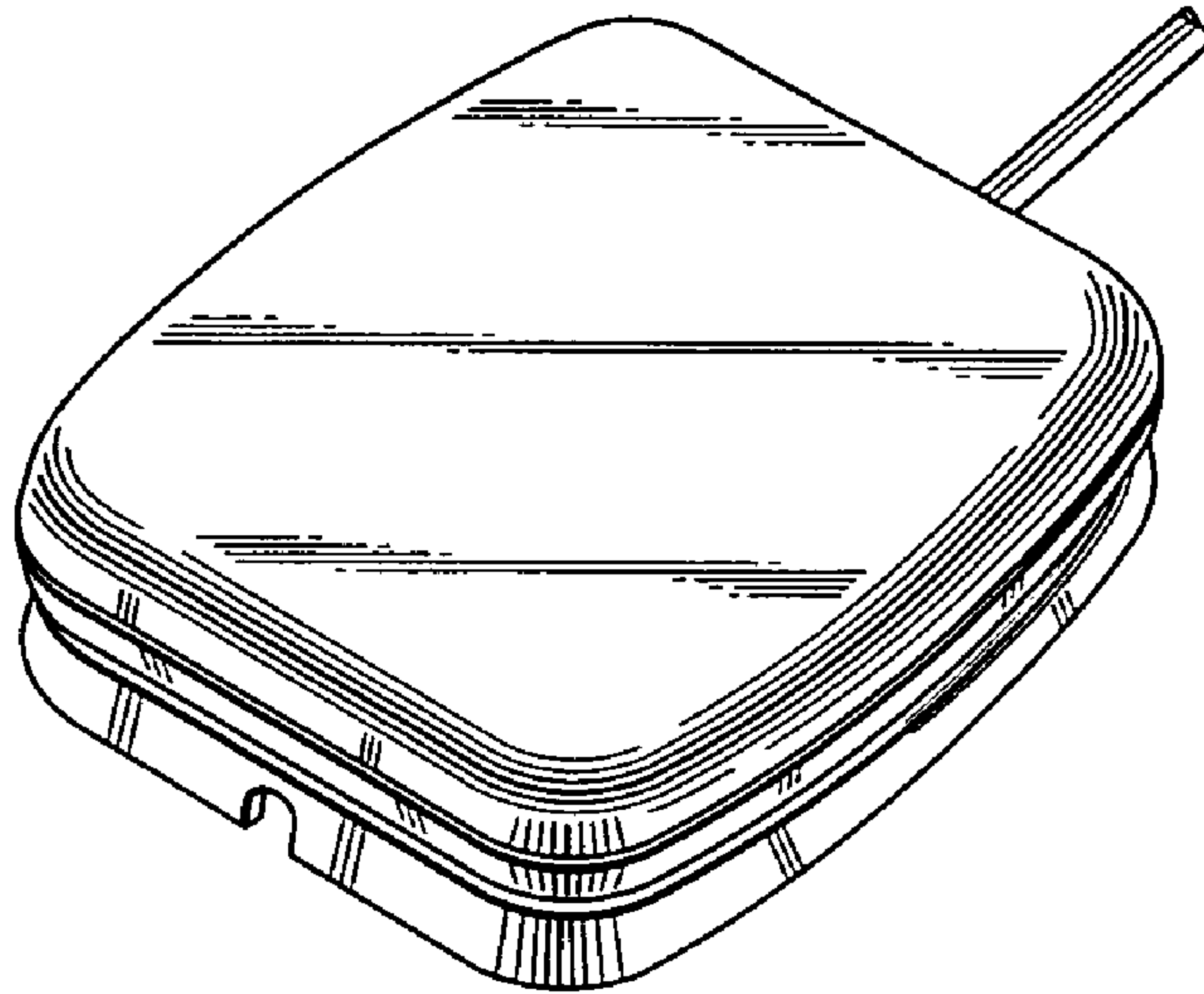


FIG.2

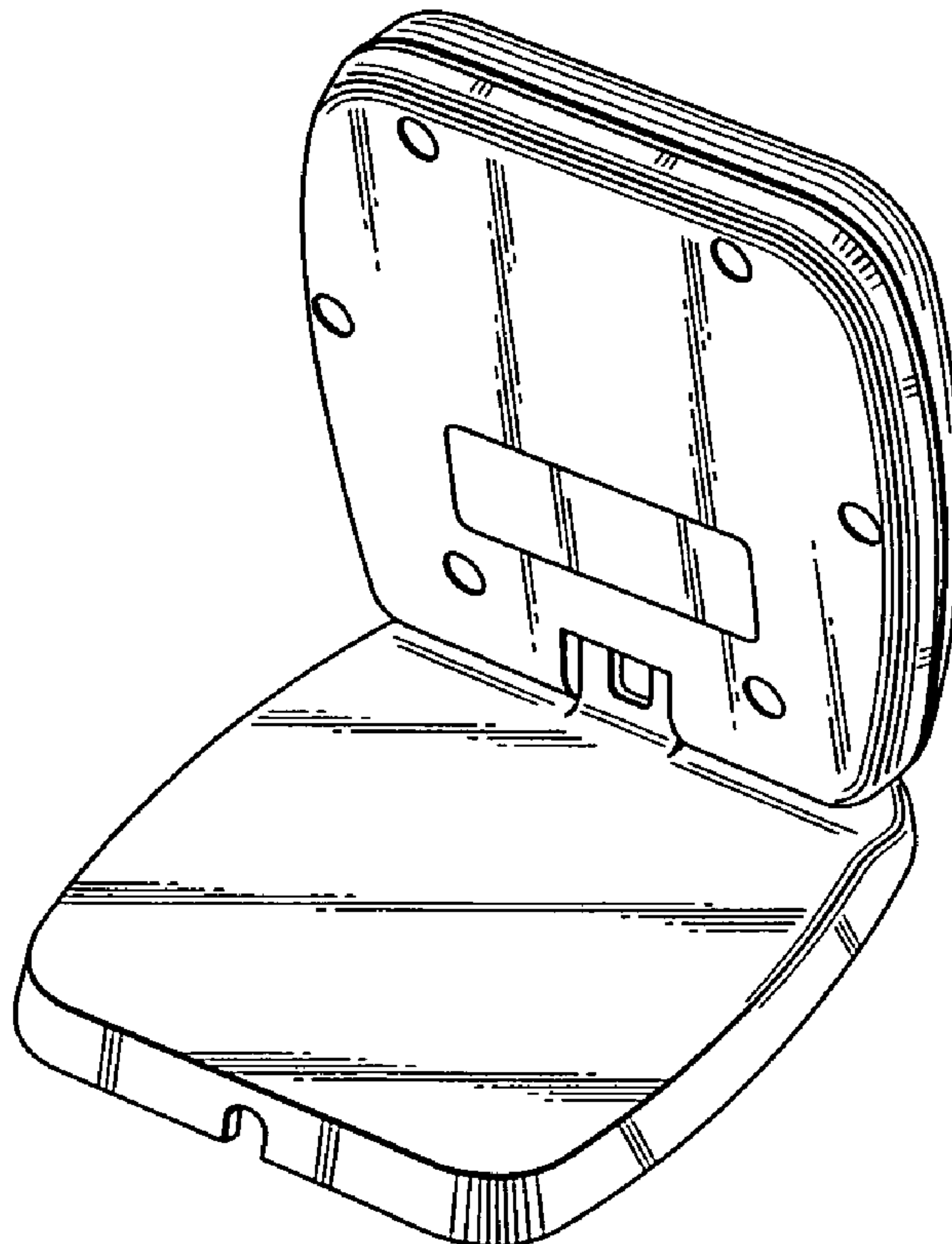


FIG.3

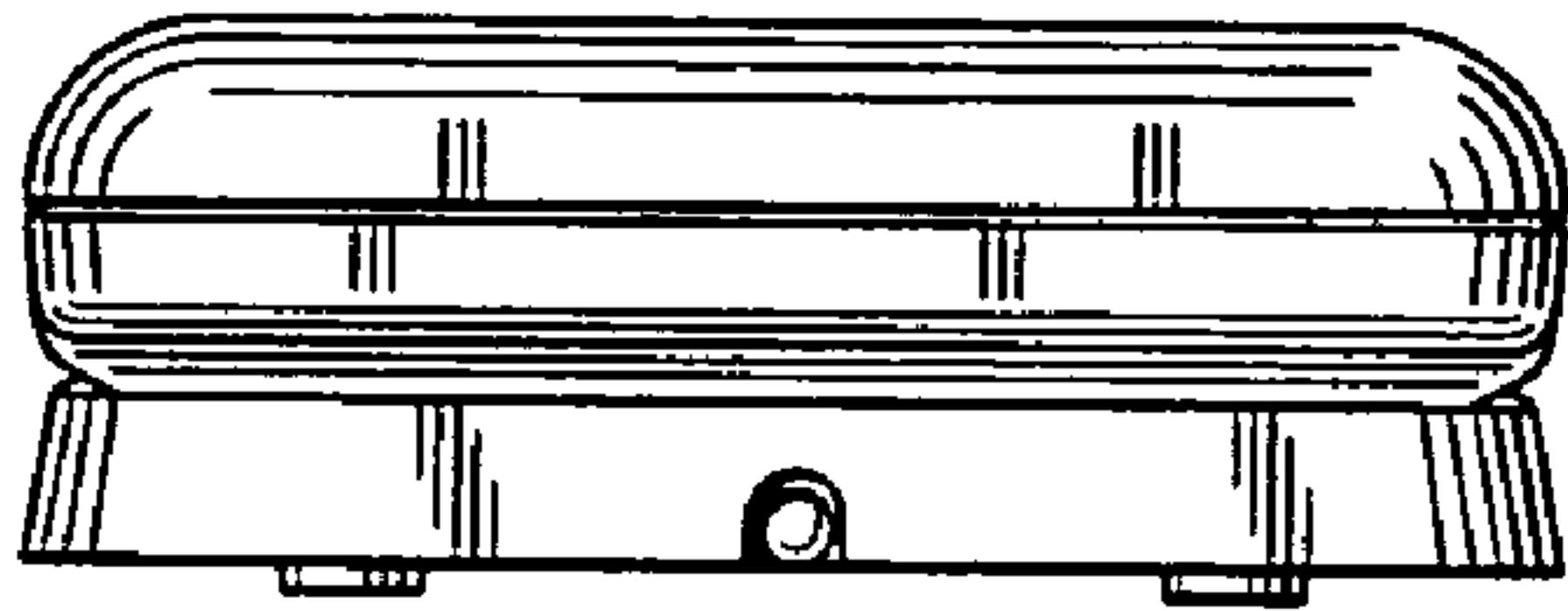


FIG.4

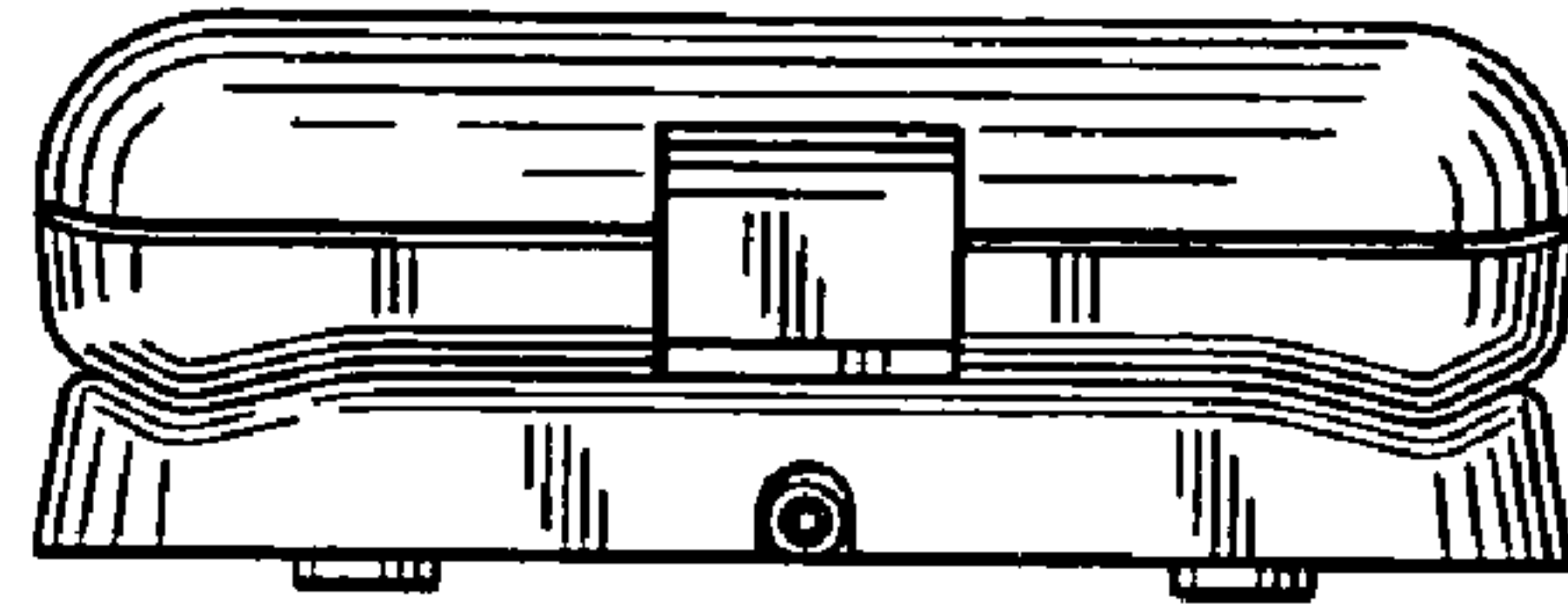


FIG.5

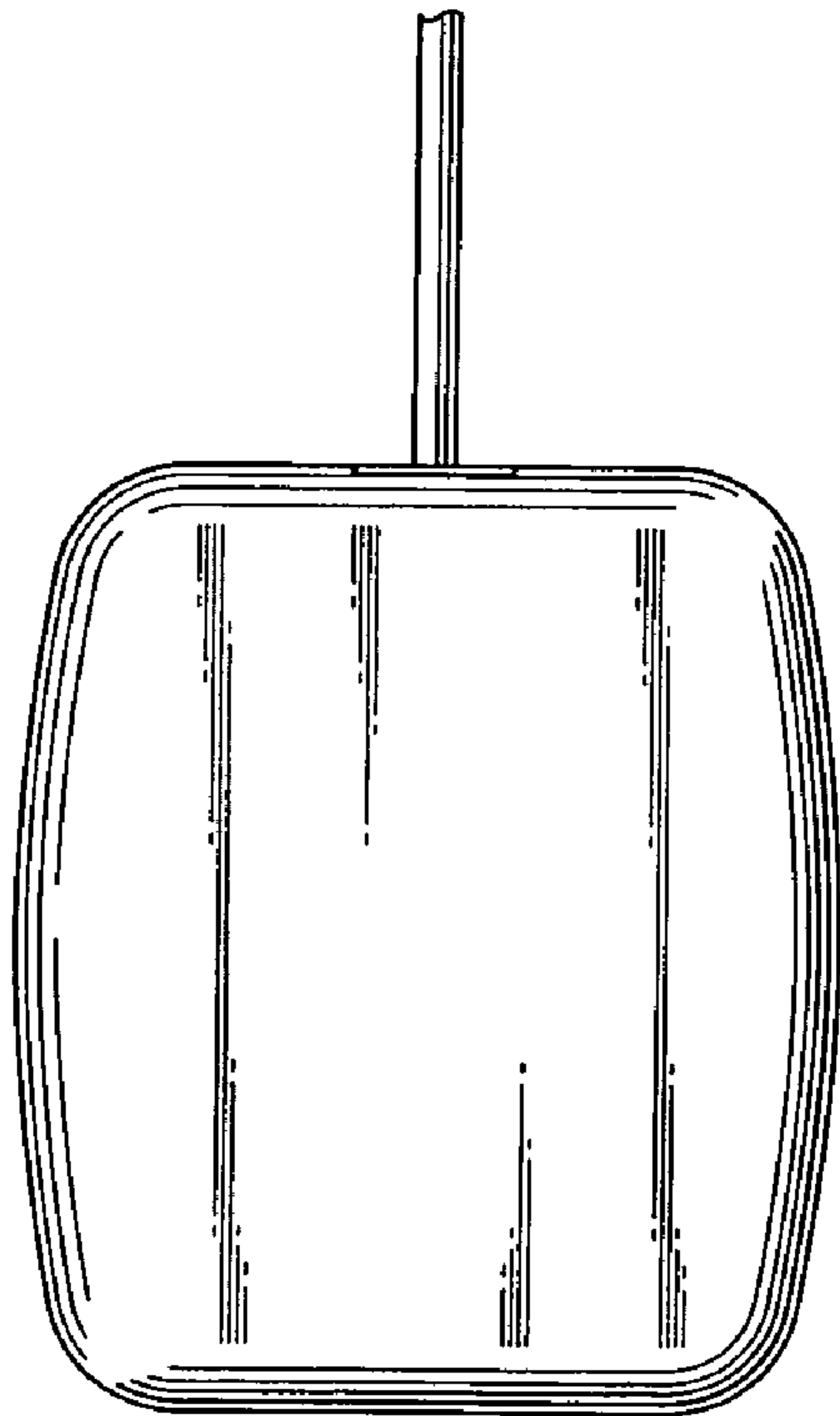


FIG.6

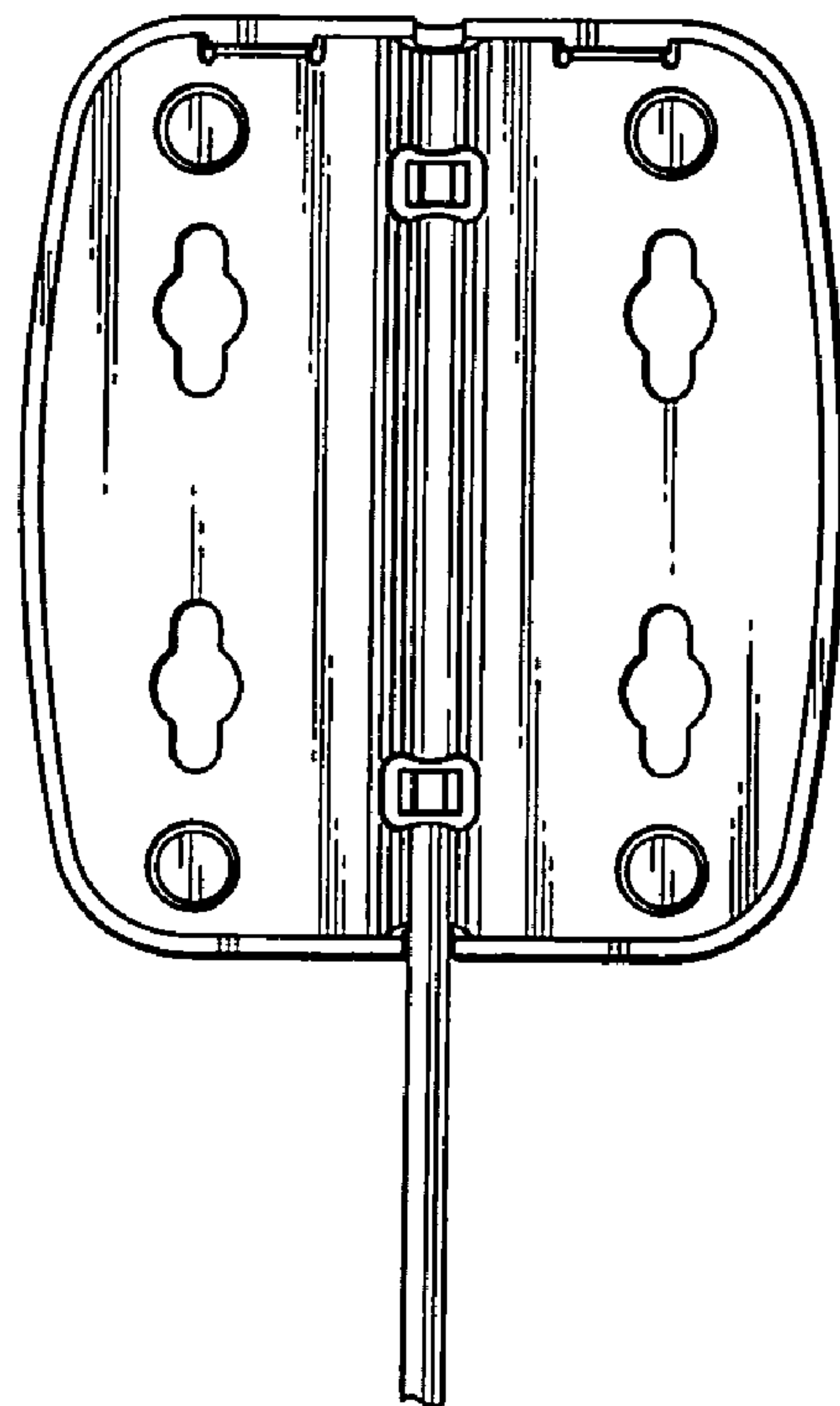


FIG.7

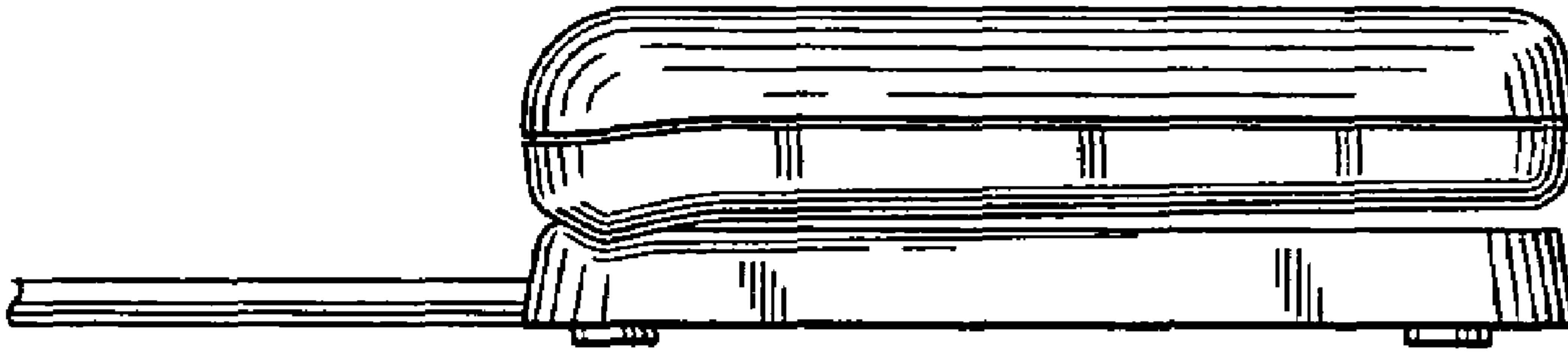


FIG.8

