

US00D565033S

(12) **United States Design Patent**
Goransson

(10) **Patent No.:** **US D565,033 S**
(45) **Date of Patent:** **** Mar. 25, 2008**

(54) **WIRELESS HEADSET**

(75) Inventor: **Magnus Goransson**, Copenhagen (DK)

(73) Assignee: **GN Netcom A/S**, Ballerup (DK)

(**) Term: **14 Years**

(21) Appl. No.: **29/267,415**

(22) Filed: **Oct. 13, 2006**

(30) **Foreign Application Priority Data**

Apr. 18, 2006 (EM) 000514179-0001

(51) **LOC (8) Cl.** **14-01**

(52) **U.S. Cl.** **D14/223**

(58) **Field of Classification Search** D14/205,
D14/206, 223; D24/174; 379/430, 433;
181/129, 130; 381/370, 376, 377, 378, 379,
381/380

See application file for complete search history.

(56) **References Cited**

U.S. PATENT DOCUMENTS

D463,791 S * 10/2002 Nagai et al. D14/223
D471,889 S * 3/2003 Rath et al. D14/205
D478,573 S * 8/2003 Wisley et al. D14/223
D479,834 S * 9/2003 Salazar et al. D14/205

D494,569 S * 8/2004 Ma D14/223
D494,570 S * 8/2004 Ma D14/223
D498,750 S * 11/2004 Ma D14/223
D502,171 S * 2/2005 Tang et al. D14/223
D504,884 S * 5/2005 Hering D14/206
D509,210 S * 9/2005 Skulley et al. D14/205

* cited by examiner

Primary Examiner—Paula A. Greene

(74) *Attorney, Agent, or Firm*—Altera Law Group, LLC

(57) **CLAIM**

The ornamental design for wireless headset, as shown and described.

DESCRIPTION

FIG. 1 is a perspective view of a wireless headset showing my new design;

FIG. 2 is a front view thereof;

FIG. 3 is a back view thereof;

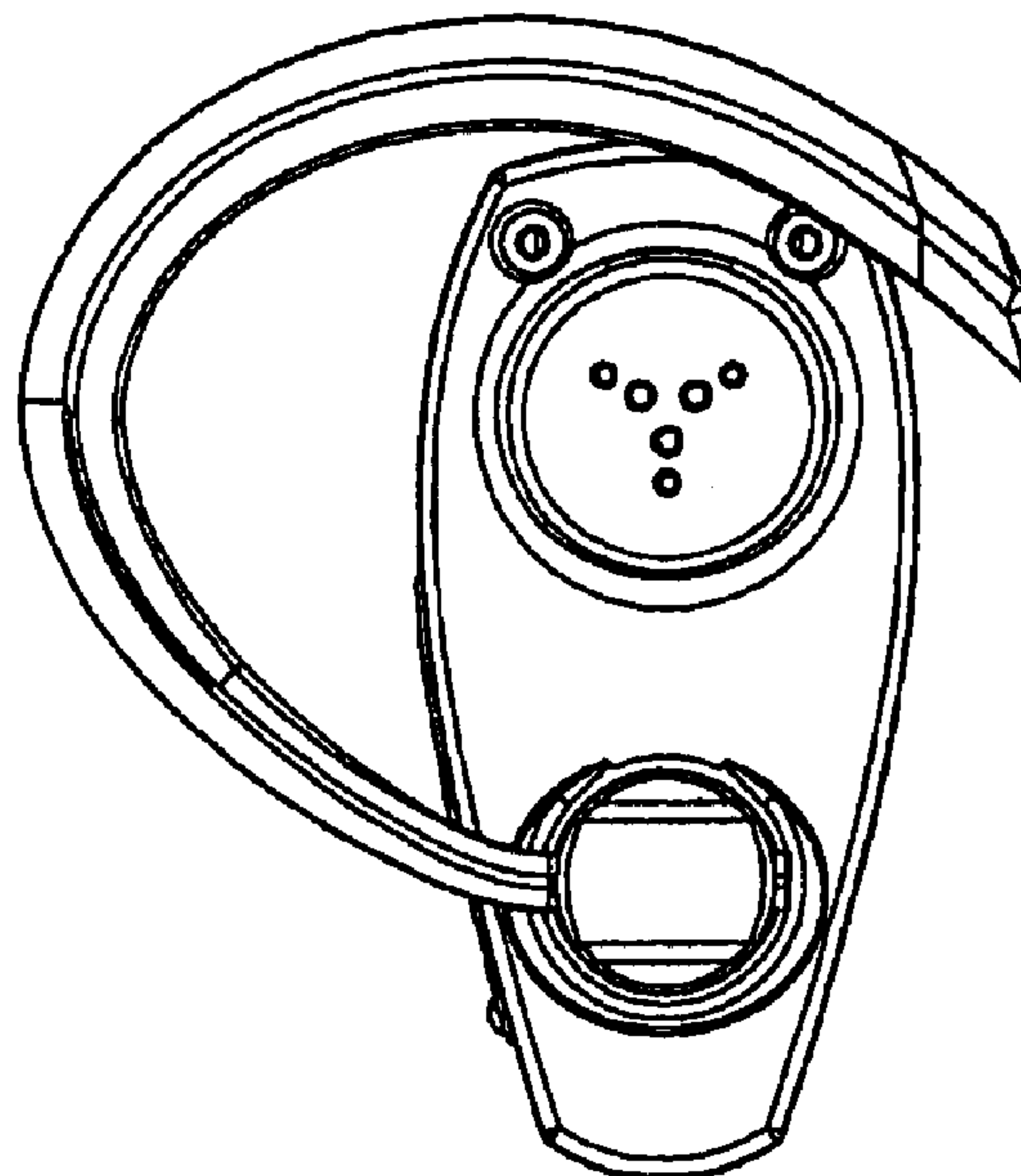
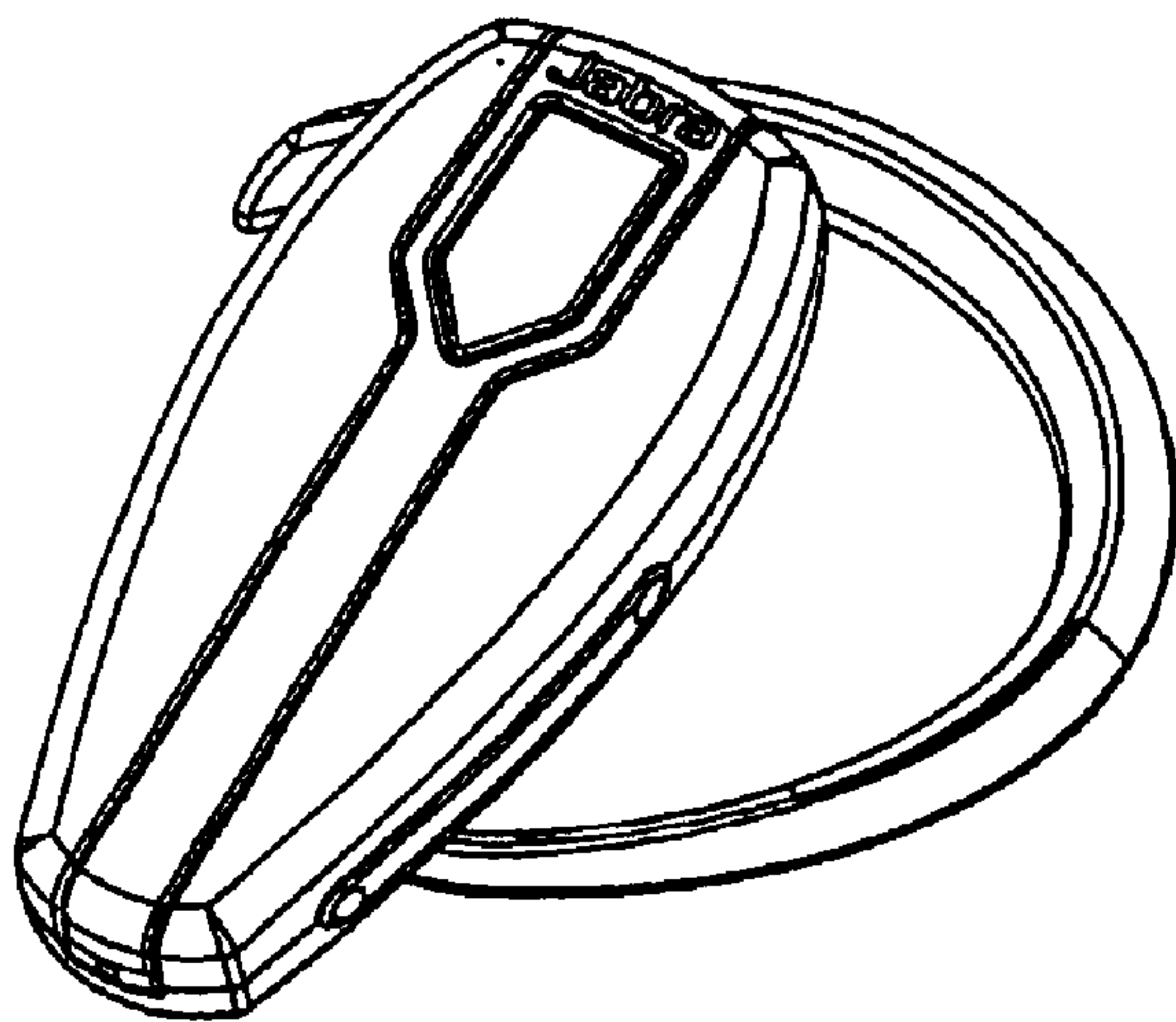
FIG. 4 is a top view thereof;

FIG. 5 is a bottom view thereof;

FIG. 6 is a side elevational view thereof; and,

FIG. 7 is a side elevational view thereof.

1 Claim, 3 Drawing Sheets



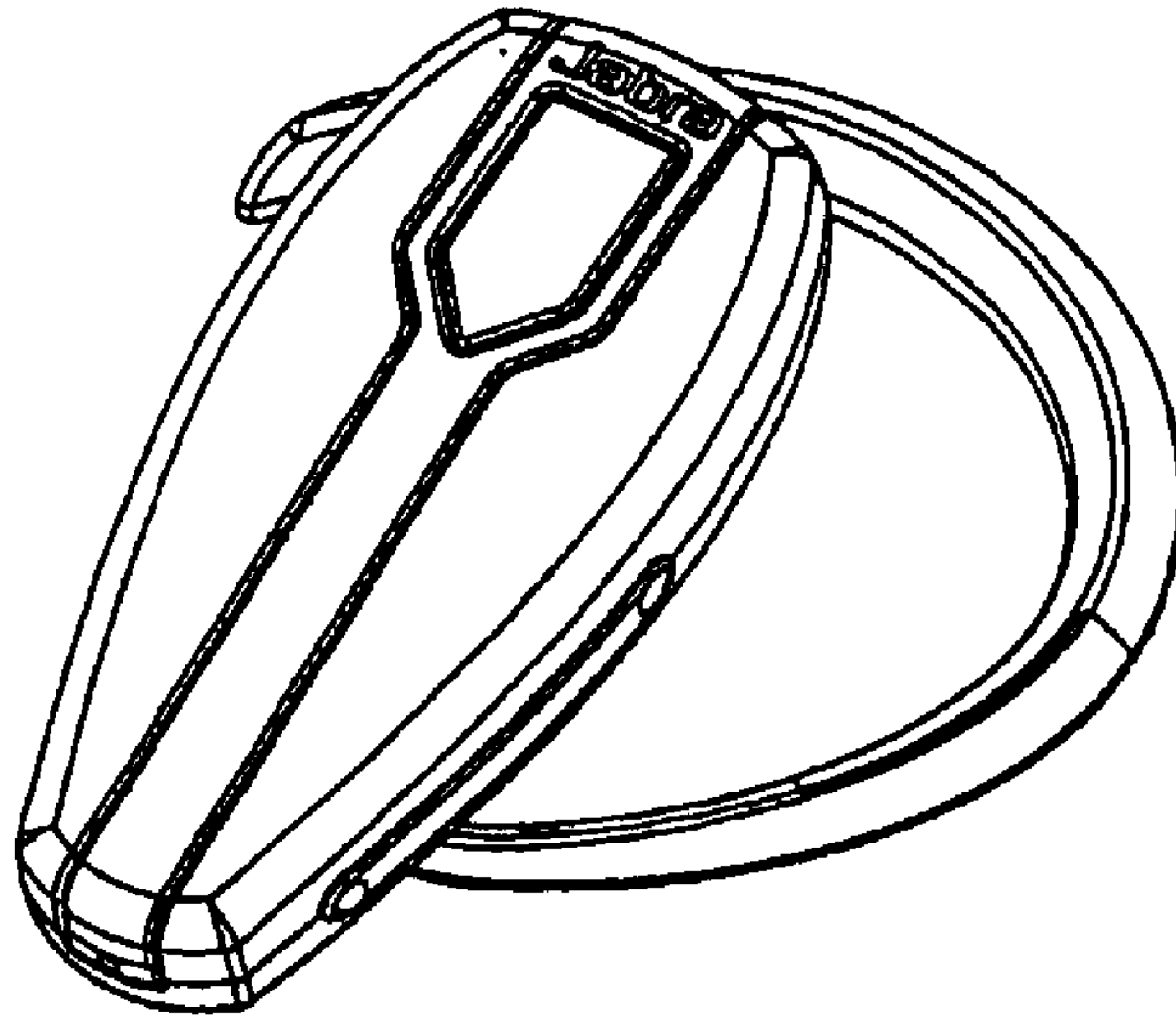


FIG. 1

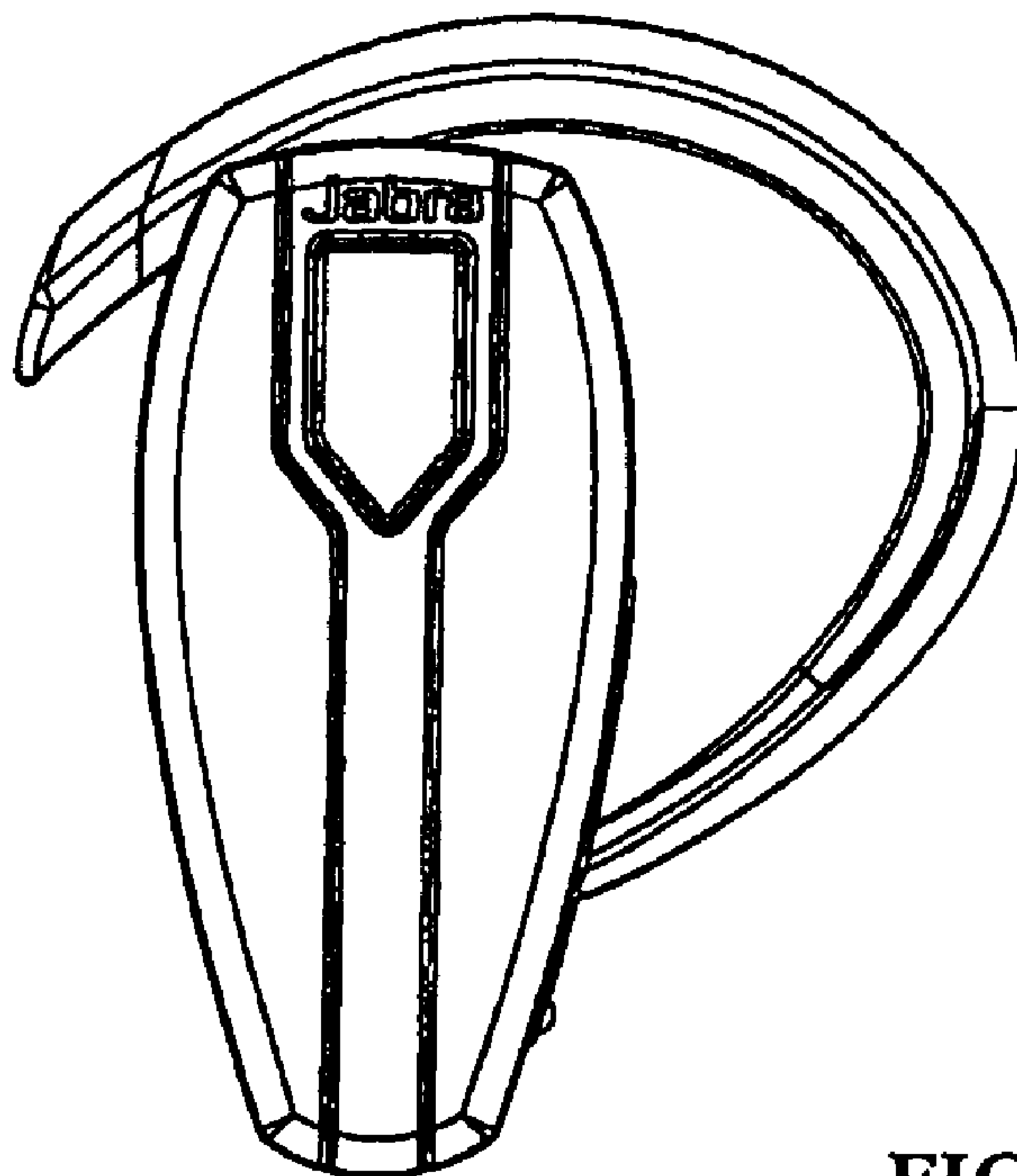


FIG. 2

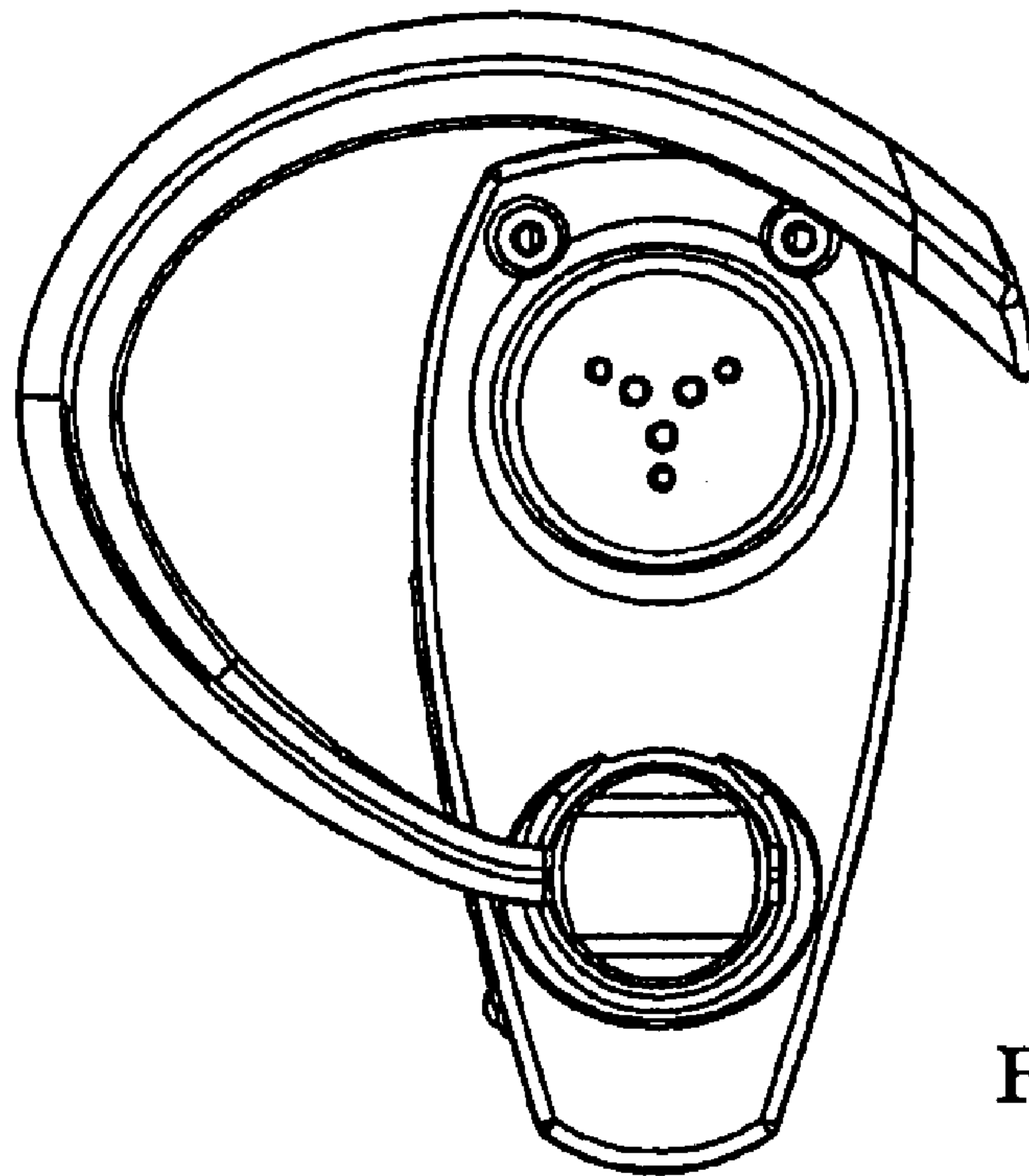


FIG. 3

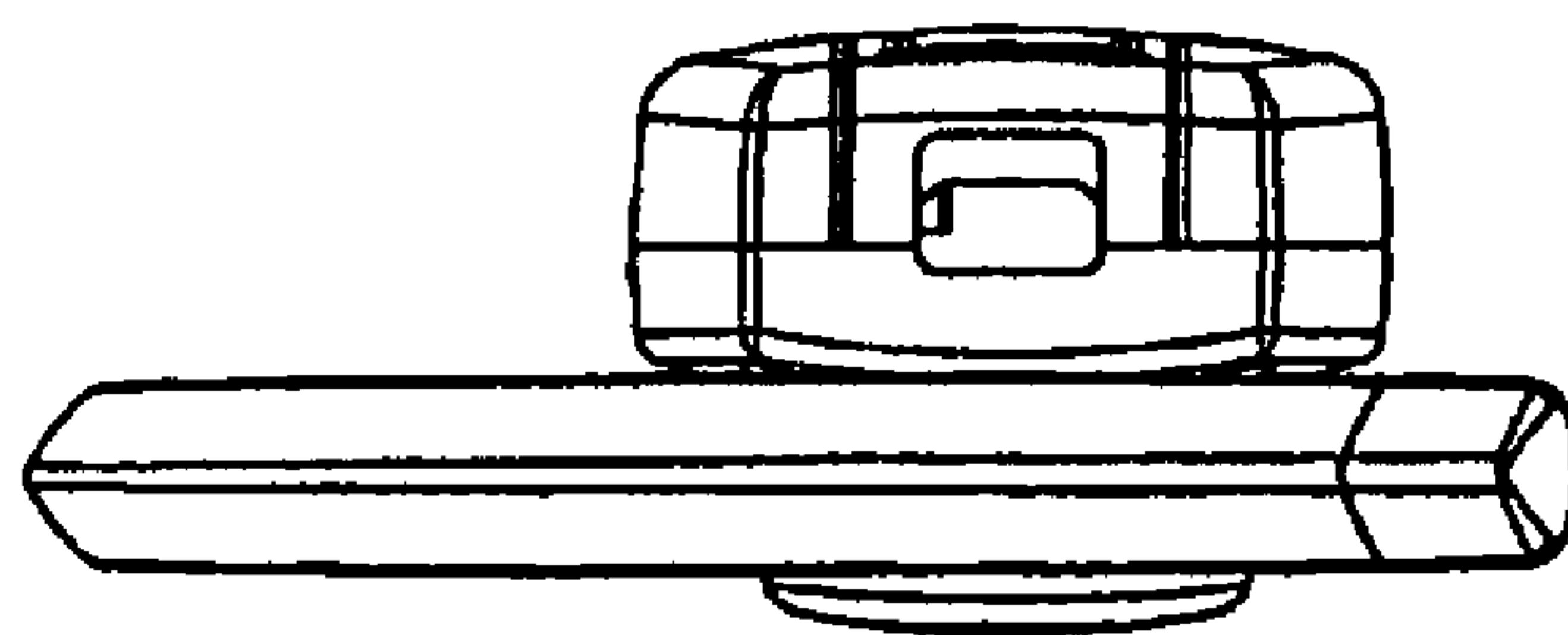


FIG. 4

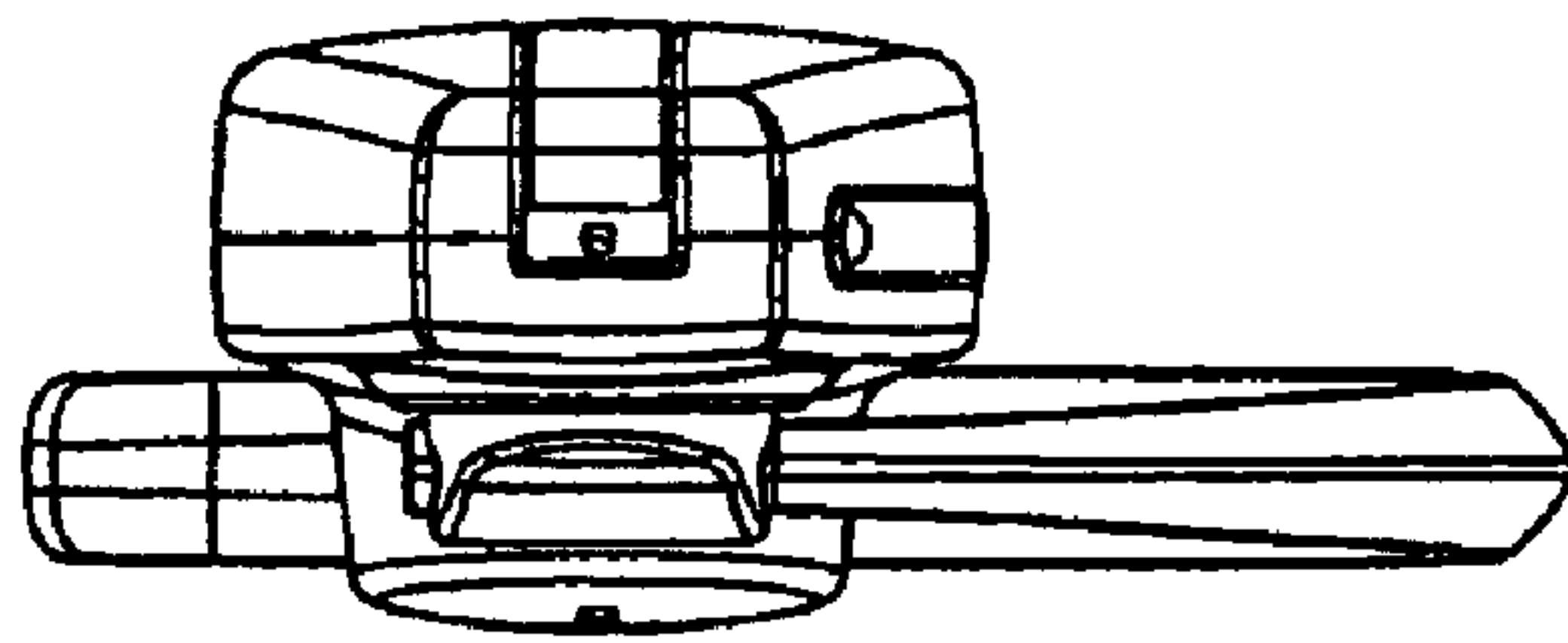


FIG. 5

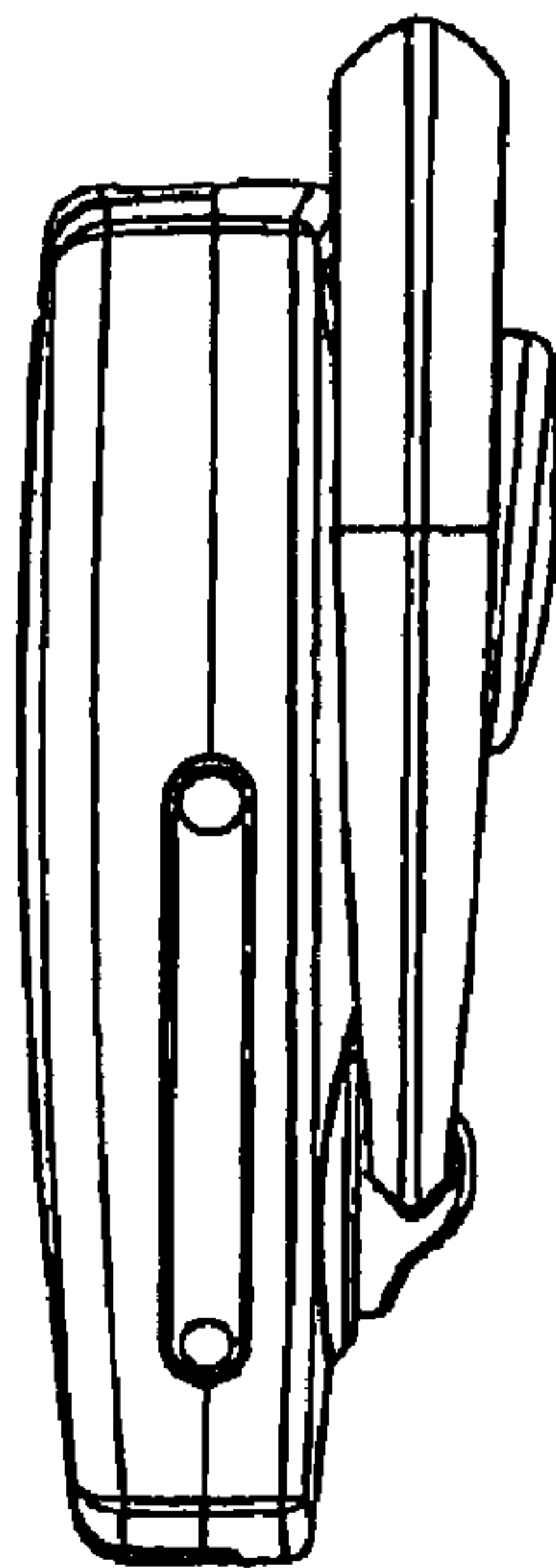


FIG. 6

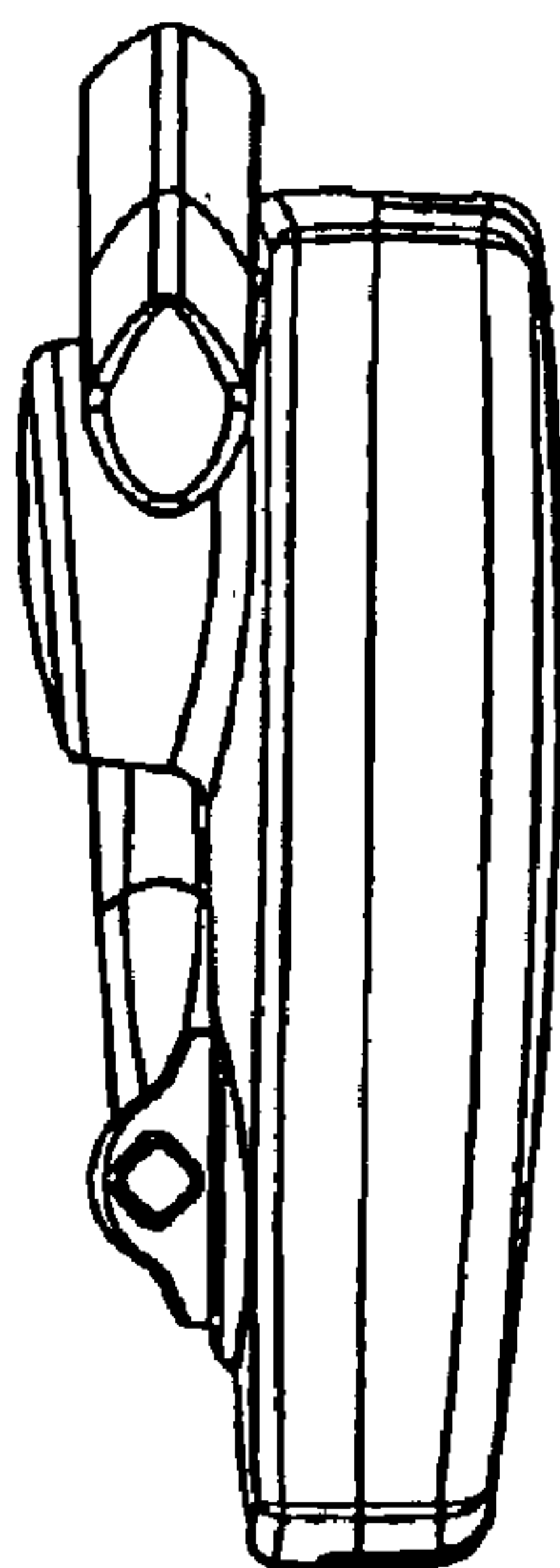


FIG. 7