

US00D565029S

(12) **United States Design Patent**
Ching

(10) **Patent No.:** **US D565,029 S**

(45) **Date of Patent:** **** Mar. 25, 2008**

(54) **MULTIMEDIA SPEAKER SET**

D391,574 S * 3/1998 Chen D14/211
D417,874 S * 12/1999 Suzuki D14/215
D489,054 S * 4/2004 Weikel et al. D14/211

(75) Inventor: **Chan Ching**, Taipei Hsien (TW)

(73) Assignee: **Perfect Union Co., Ltd.**, Taipei Hsien (TW)

* cited by examiner

Primary Examiner—Nanda Bondade

(**) Term: **14 Years**

(74) *Attorney, Agent, or Firm*—Troxell Law Office, PLLC

(21) Appl. No.: **29/267,165**

(57) **CLAIM**

(22) Filed: **Oct. 6, 2006**

The ornamental design for multimedia speaker set, as shown and described.

(51) **LOC (8) Cl.** **14-01**

(52) **U.S. Cl.** **D14/214; D14/215**

(58) **Field of Classification Search** D14/204,
D14/209–217, 168; 181/143–144, 147–148,
181/150, 157, 198–199, 151, 153; 381/300–302,
381/306, 333, 345, 361–364, 386–388, 332,
381/336; 348/14.01

See application file for complete search history.

DESCRIPTION

FIG. 1 is a top front and left side perspective view of multimedia speaker set showing my new design;

FIG. 2 is a front elevational view thereof;

FIG. 3 is a rear elevational view thereof;

FIG. 4 is a left side elevational view thereof;

FIG. 5 is a right side elevational view thereof;

FIG. 6 is a top plan view thereof; and,

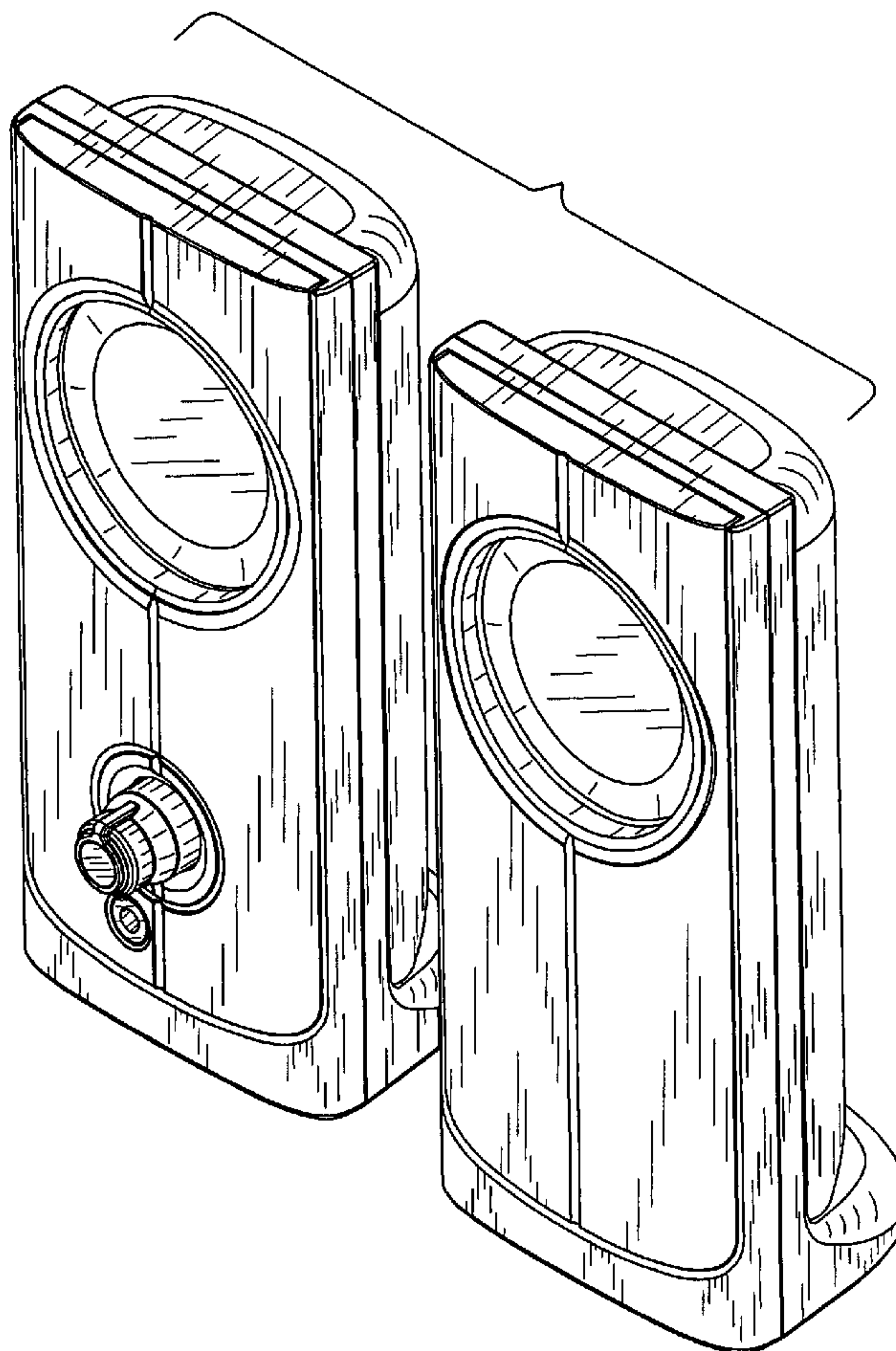
FIG. 7 is a bottom plan view thereof.

(56) **References Cited**

U.S. PATENT DOCUMENTS

D199,676 S * 12/1964 Reed D14/215
4,805,729 A * 2/1989 Wascom 181/144
D390,951 S * 2/1998 Yeh D14/214

1 Claim, 5 Drawing Sheets



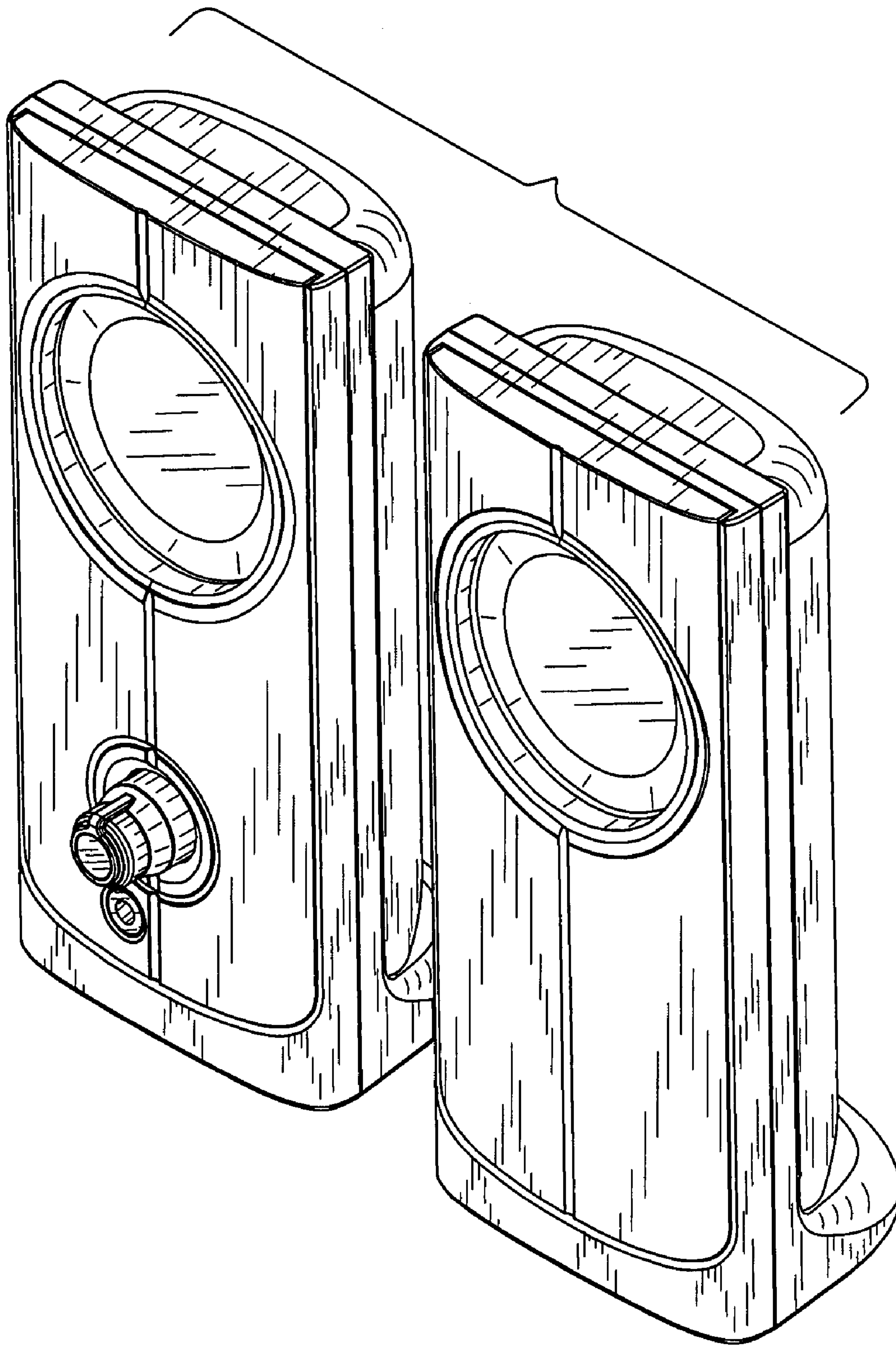


Fig. 1

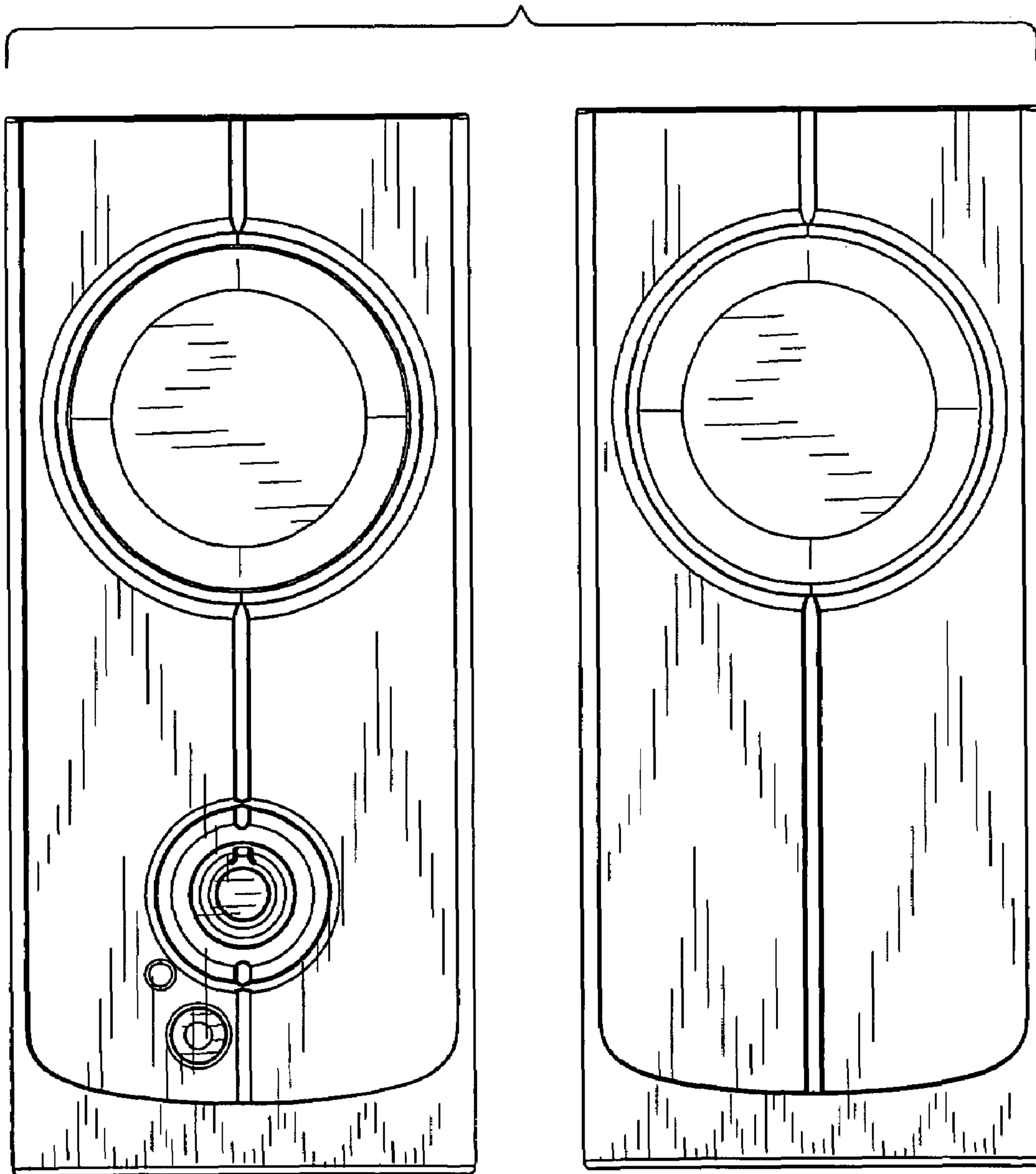


Fig.2

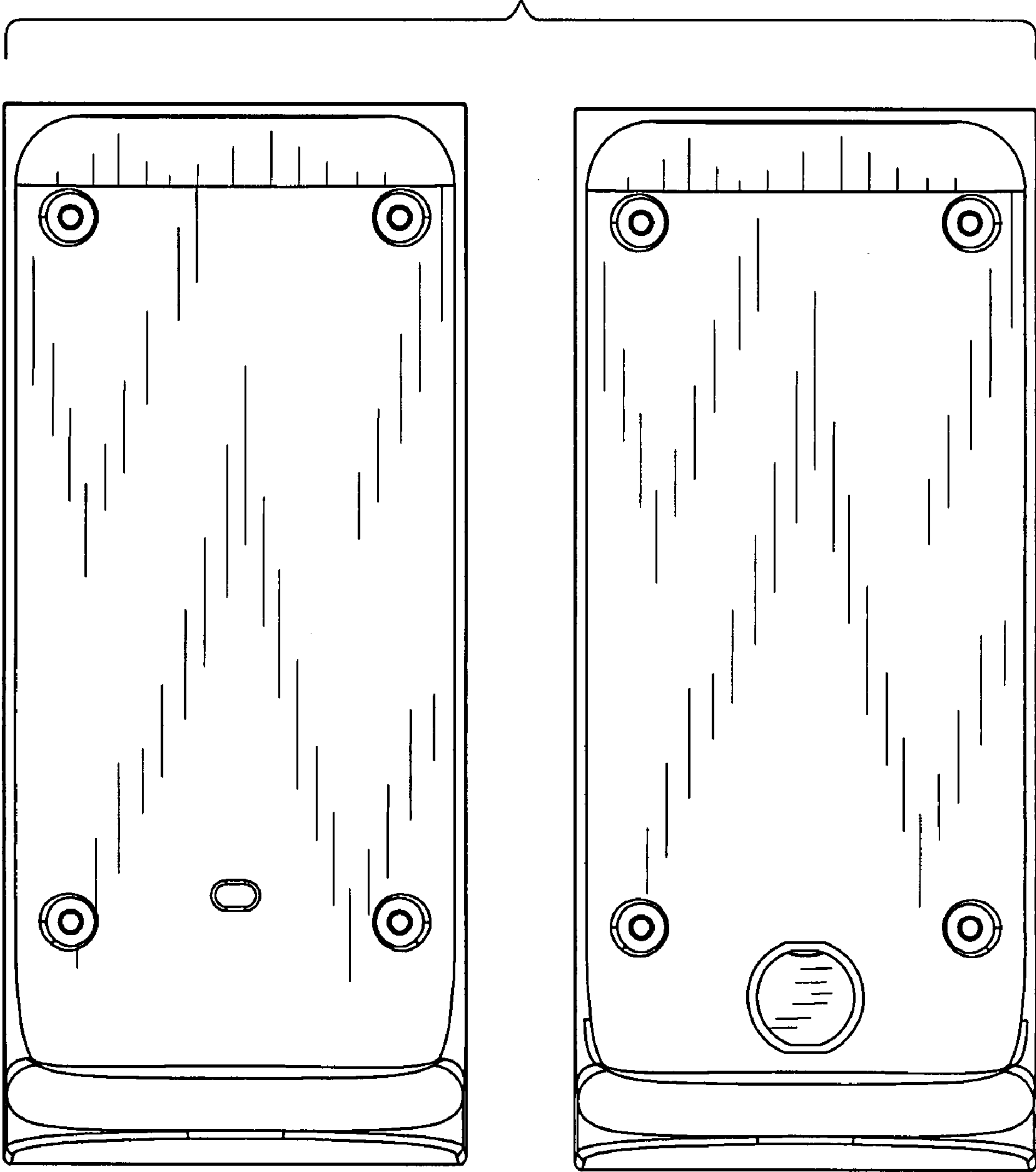


Fig.3

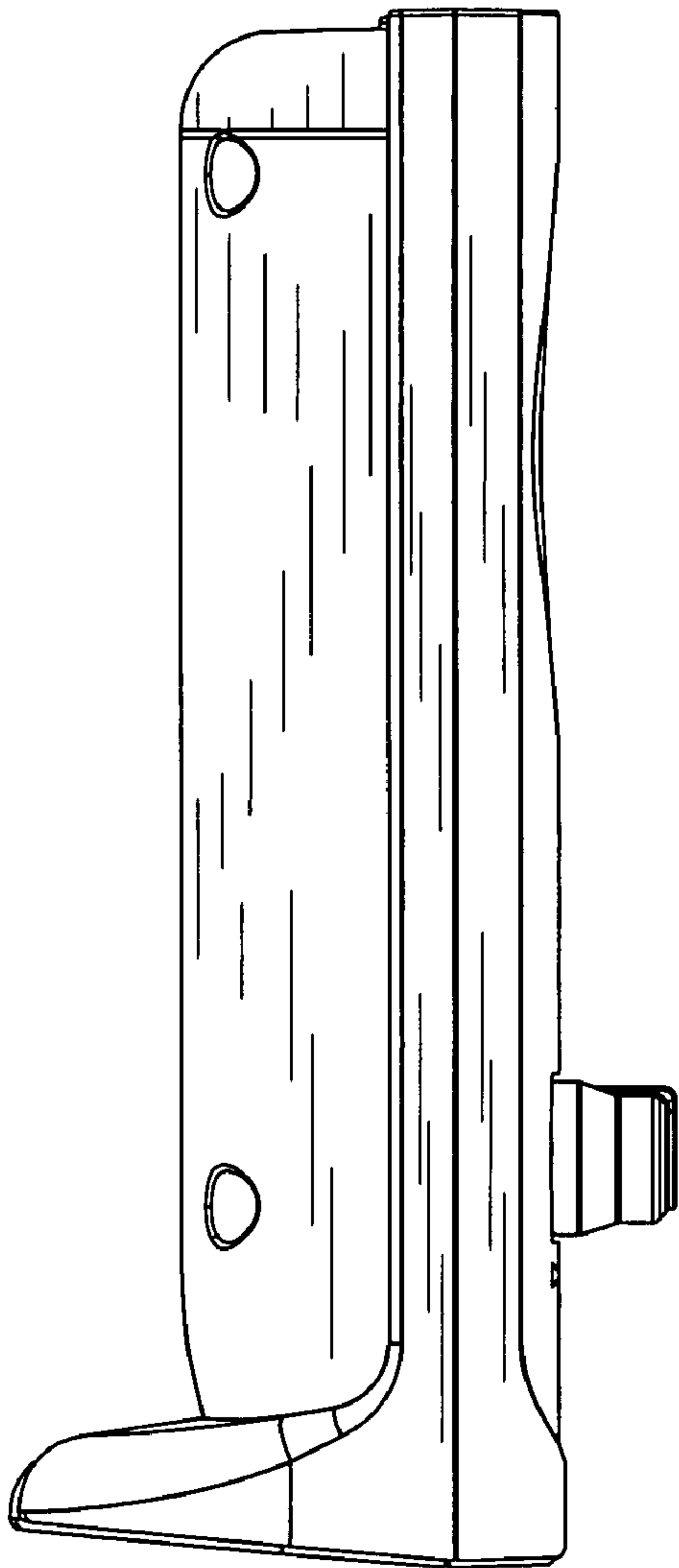


Fig. 4

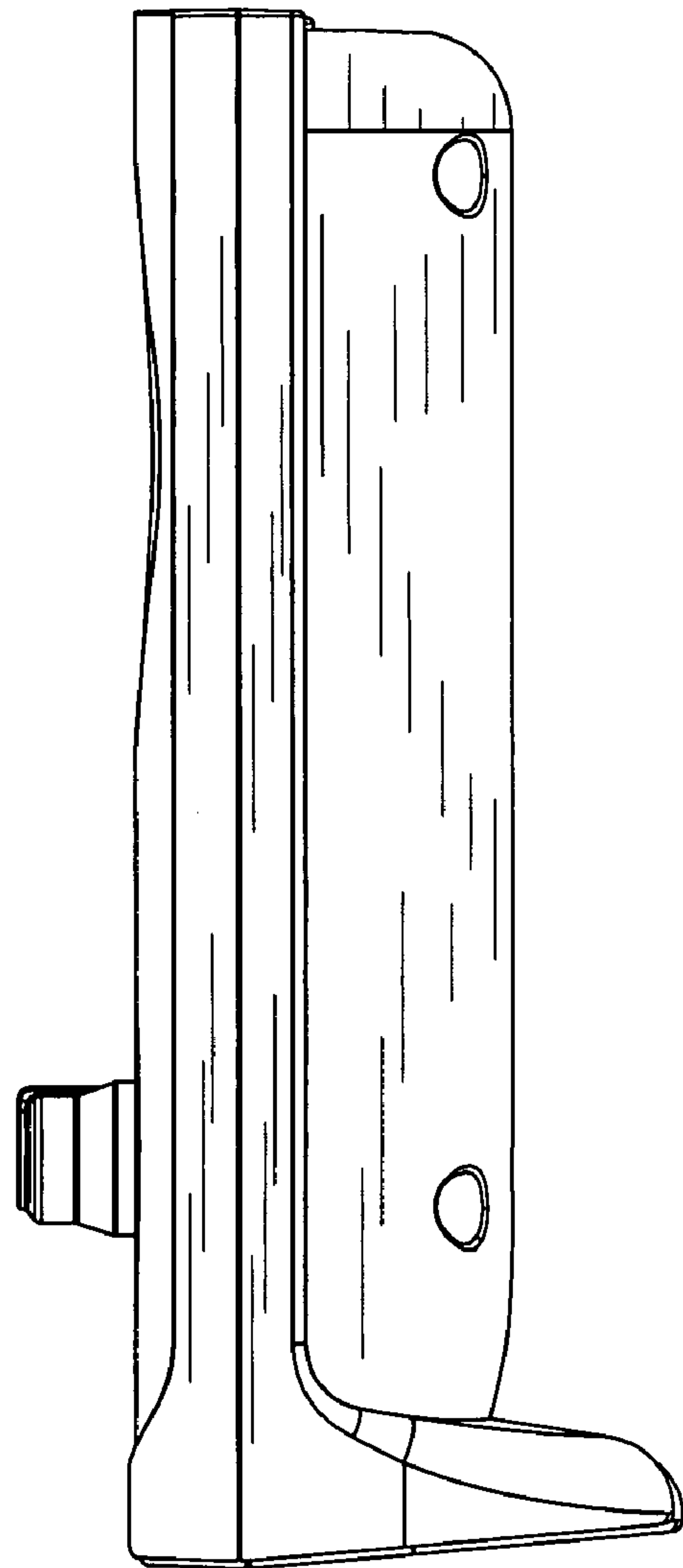


Fig. 5

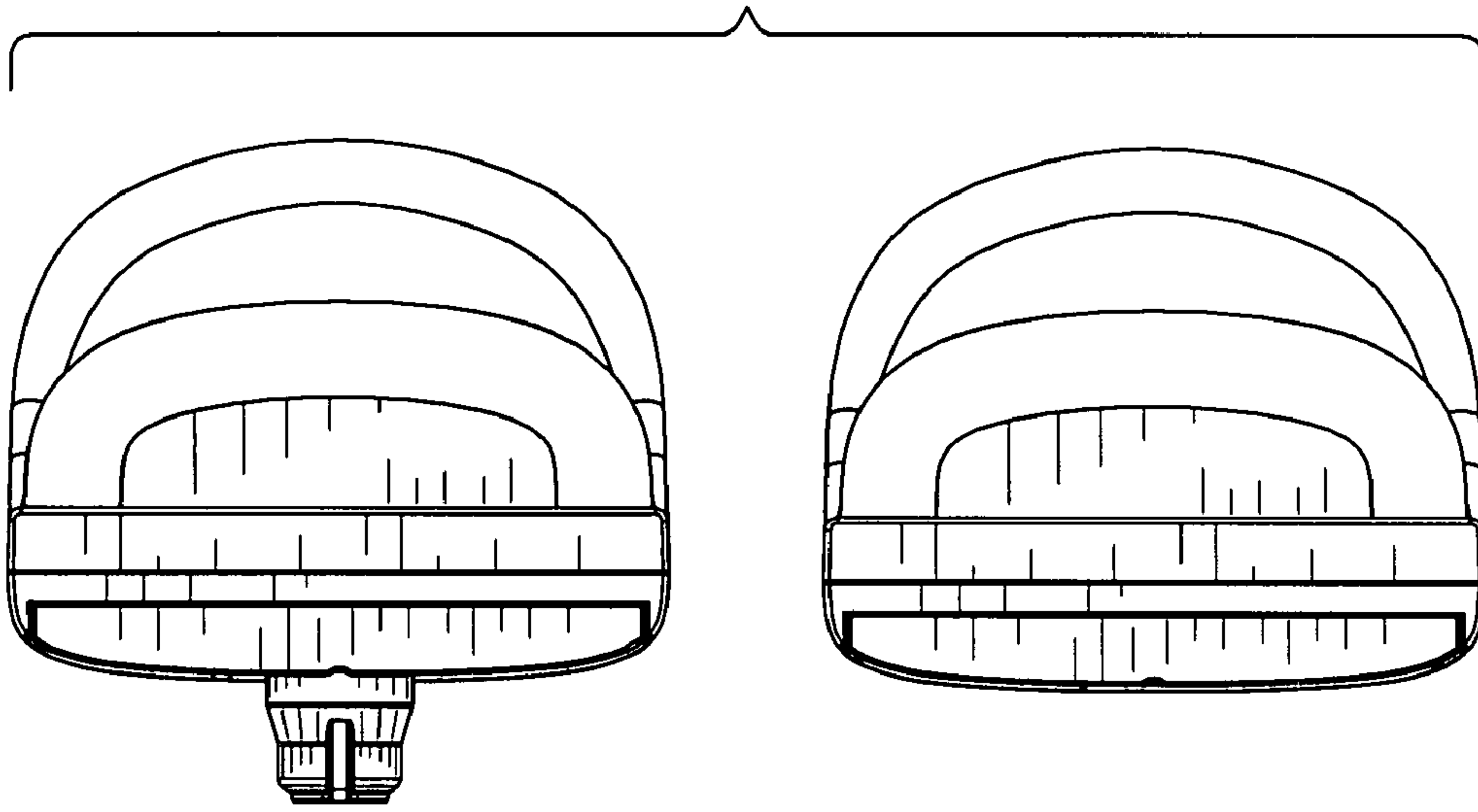


Fig.6

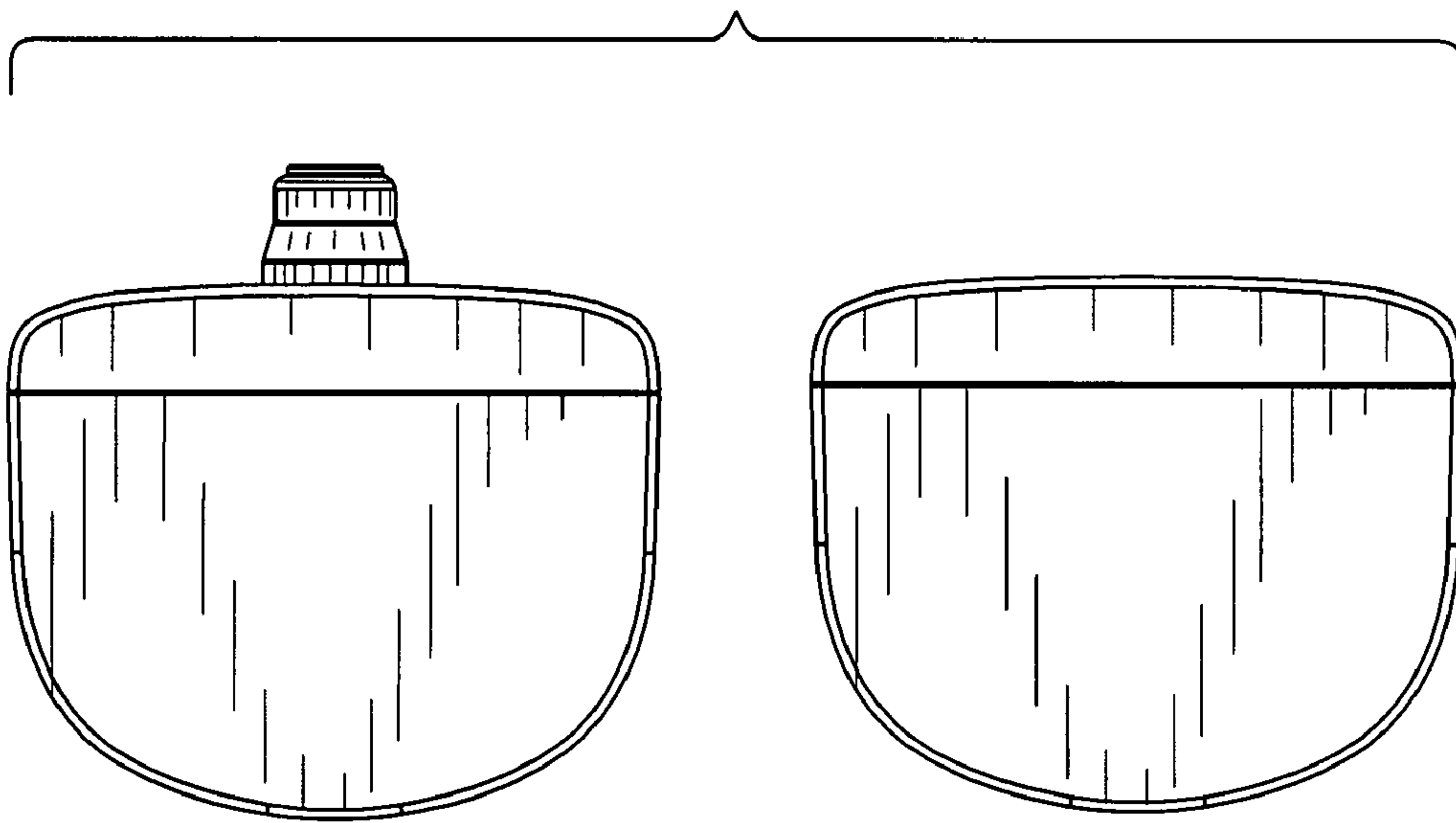


Fig.7