

US00D565024S

(12) **United States Design Patent**  
**Kim et al.**

(10) **Patent No.:** **US D565,024 S**  
(45) **Date of Patent:** **\*\* Mar. 25, 2008**

(54) **EARSET**

(75) Inventors: **Young-Soo Kim**, Goyang-si (KR);  
**Joon-Suh Kim**, Anyang-si (KR);  
**Chang-Soo Lee**, Incheon (KR)

(73) Assignee: **Samsung Electronics Co., Ltd.**,  
Suwon-Si (KR)

(\*\*) Term: **14 Years**

(21) Appl. No.: **29/270,957**

(22) Filed: **Jan. 8, 2007**

(51) **LOC (8) Cl.** ..... **14-01**

(52) **U.S. Cl.** ..... **D14/205**

(58) **Field of Classification Search** ..... D14/142,  
D14/205-206, 223, 228, 249; D24/174;  
181/129-130, 135, 137; 379/430-431, 433,  
379/444; 381/370, 376, 377, 378, 379, 380,  
381/381, 322, 371

See application file for complete search history.

(56) **References Cited**

**U.S. PATENT DOCUMENTS**

D177,346 S \* 4/1956 Norris ..... D14/192  
D237,090 S \* 10/1975 Yanagawa ..... D14/205  
4,020,297 A \* 4/1977 Brodie ..... 379/430  
D321,881 S \* 11/1991 Hopewell ..... D14/192

D350,961 S \* 9/1994 Nakamura ..... D14/205  
D403,327 S \* 12/1998 Landreth et al. .... D14/223  
D452,857 S \* 1/2002 Hong ..... D14/223  
D470,123 S \* 2/2003 Hlas et al. .... D14/205

\* cited by examiner

*Primary Examiner*—Paula A. Greene

(74) *Attorney, Agent, or Firm*—Staas & Halsey LLP

(57) **CLAIM**

The ornamental design for an earset, as shown and described.

**DESCRIPTION**

FIG. 1 is a perspective view of an earset according to our new design;

FIG. 2 is a front elevational view thereof;

FIG. 3 is a rear elevational view thereof;

FIG. 4 is a left side elevational view thereof;

FIG. 5 is a right side elevational view thereof;

FIG. 6 is a top plan view thereof; and,

FIG. 7 is a bottom plan view thereof.

The surface(s) or portion(s) of the article not shown in the drawing or described in the specification form(s) no part of the claimed design.

**1 Claim, 4 Drawing Sheets**

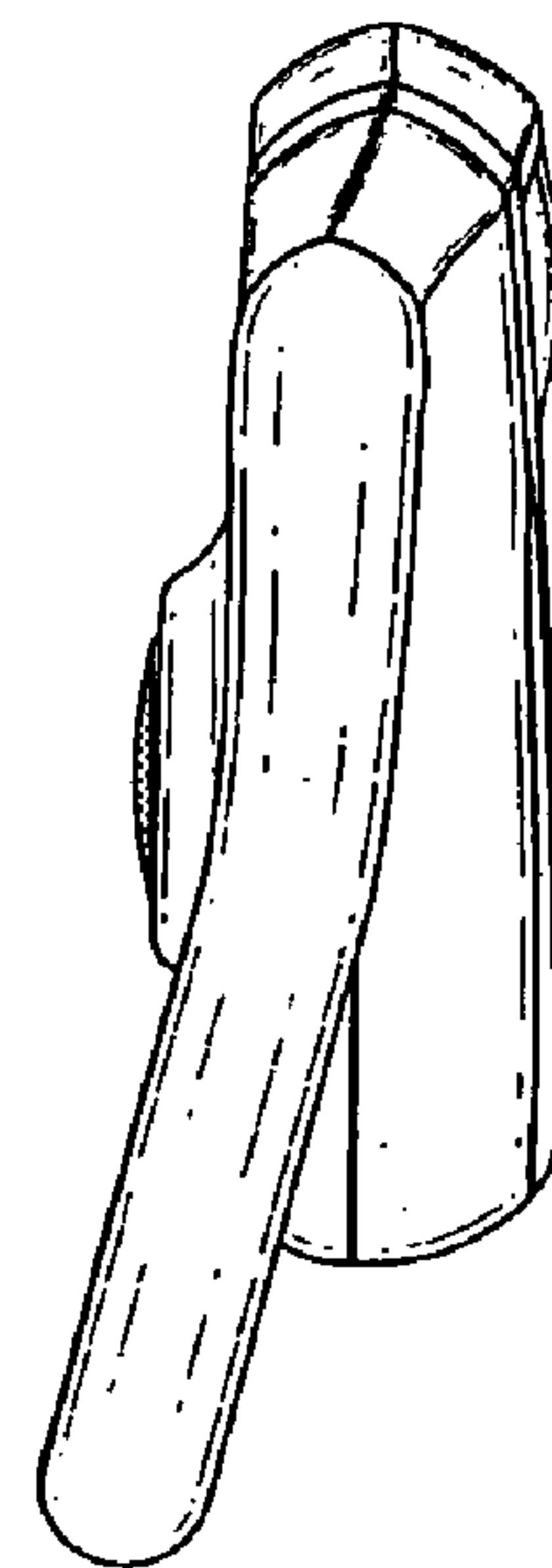
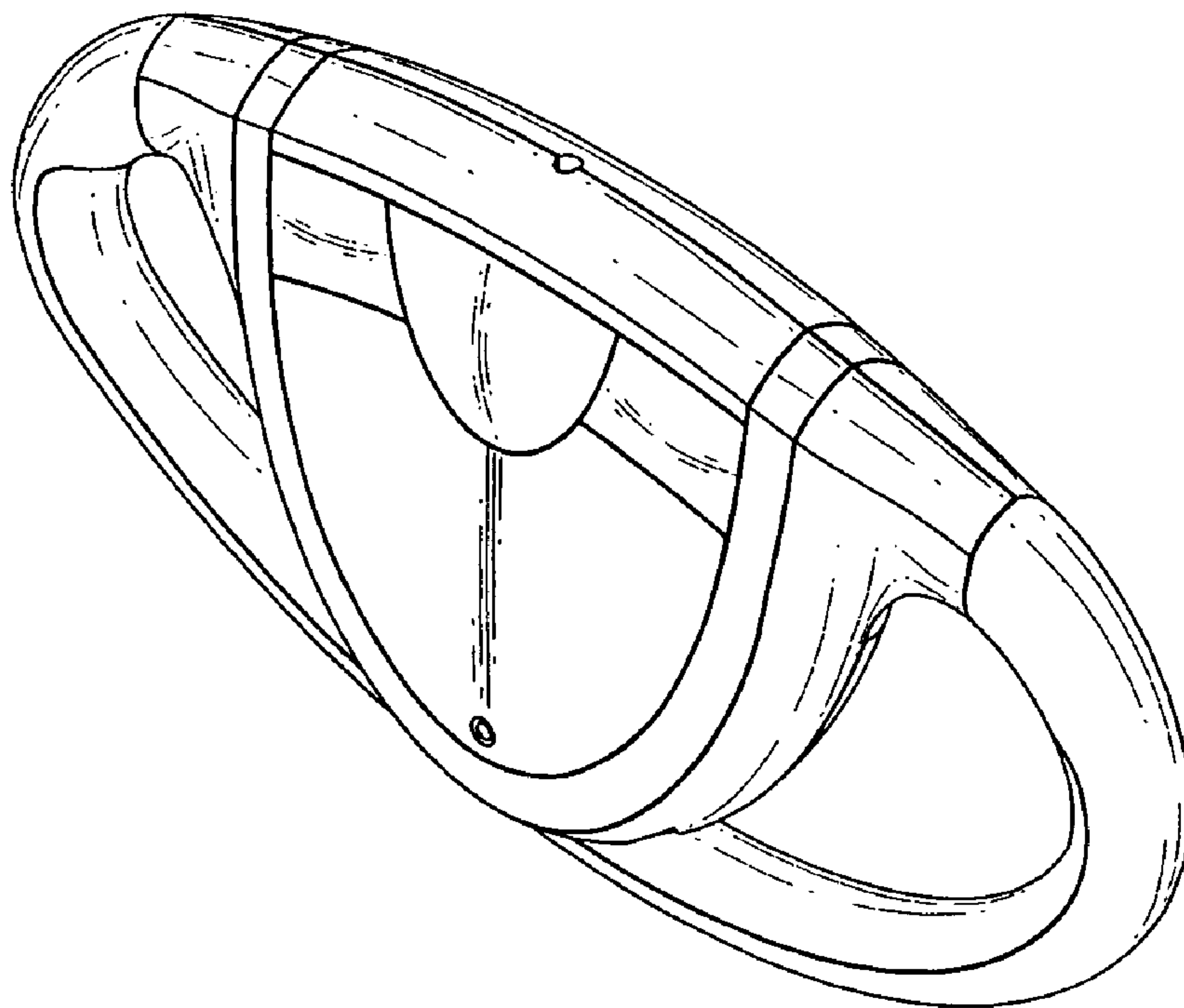


FIG. 1

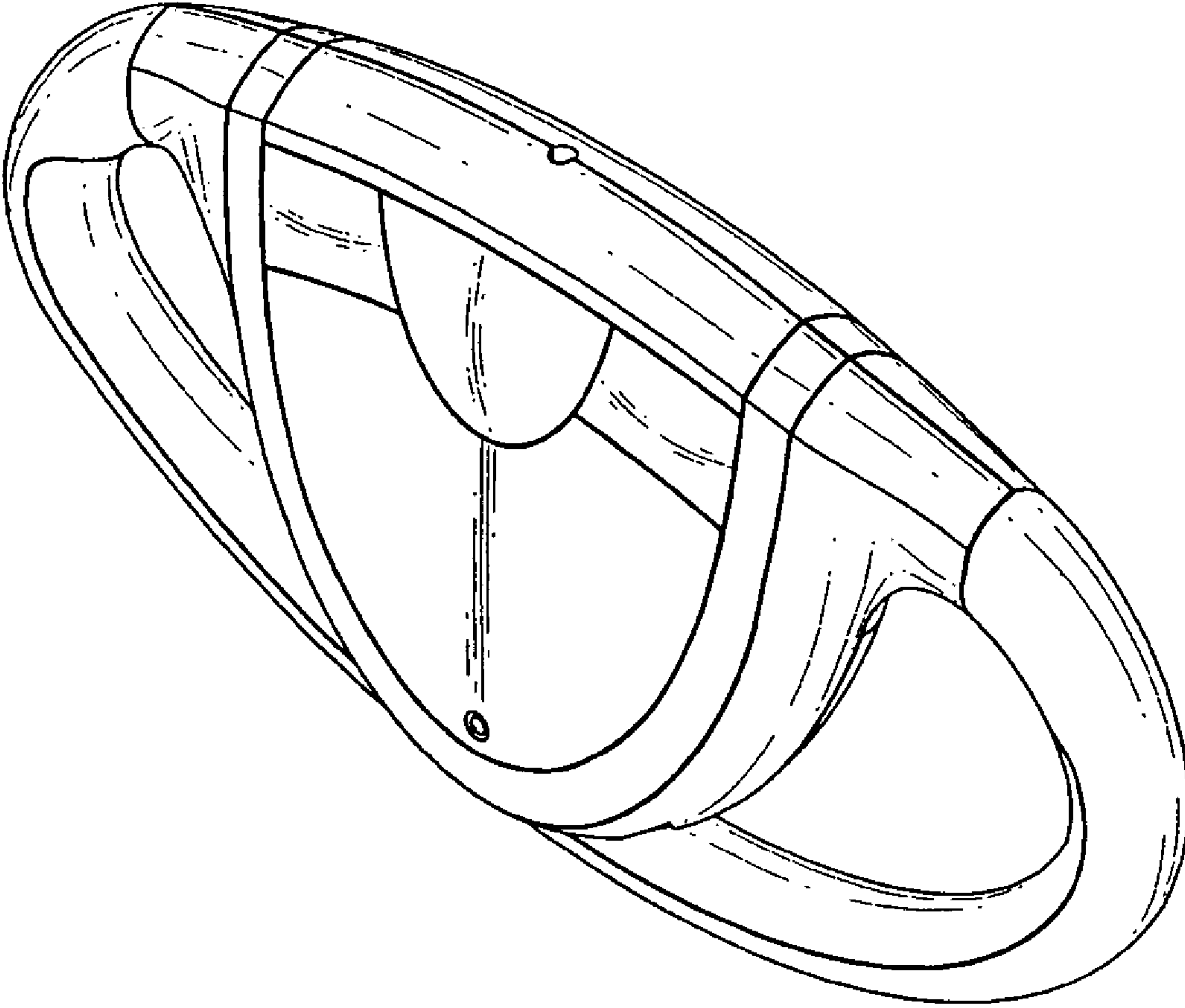


FIG.2

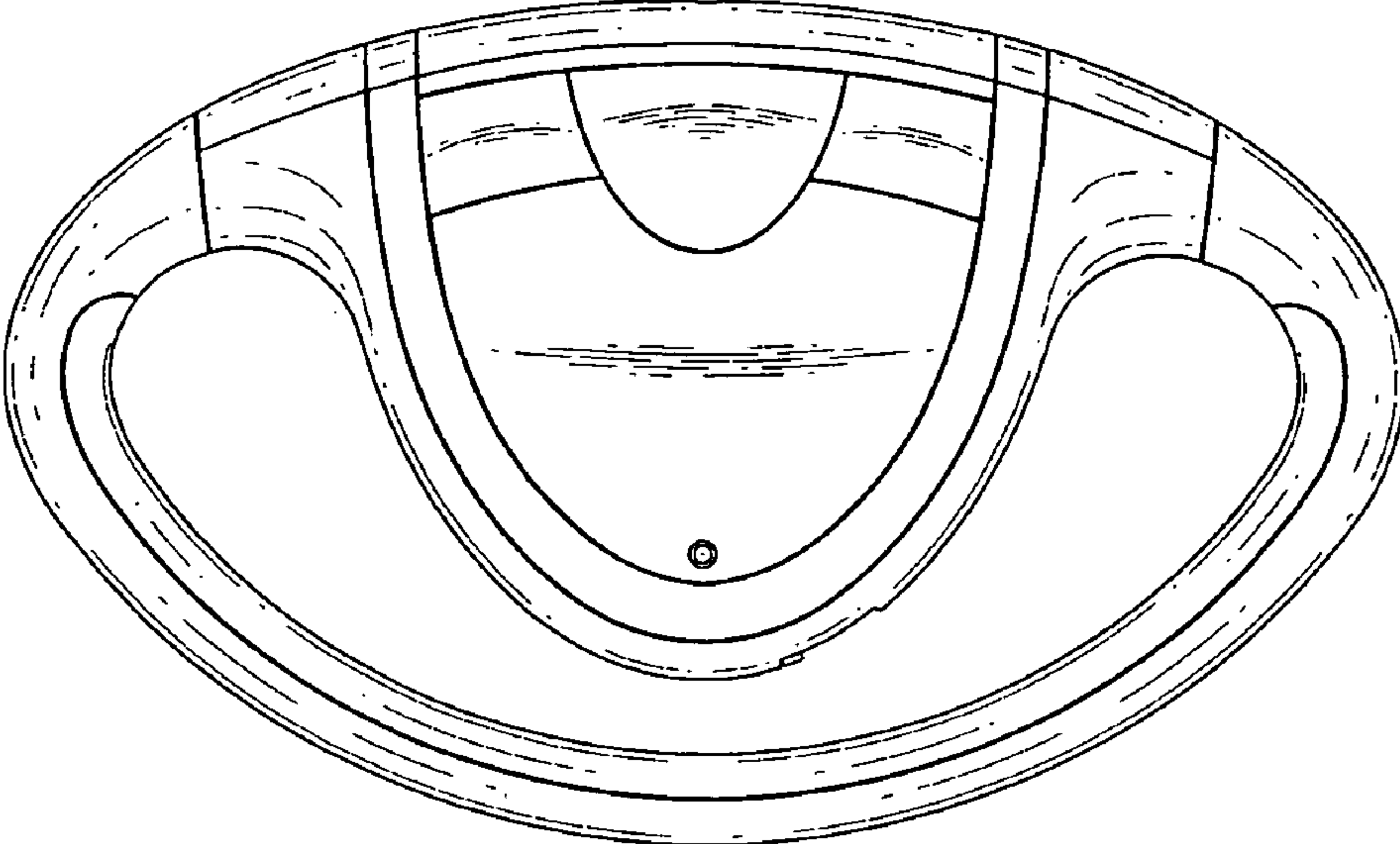


FIG.3

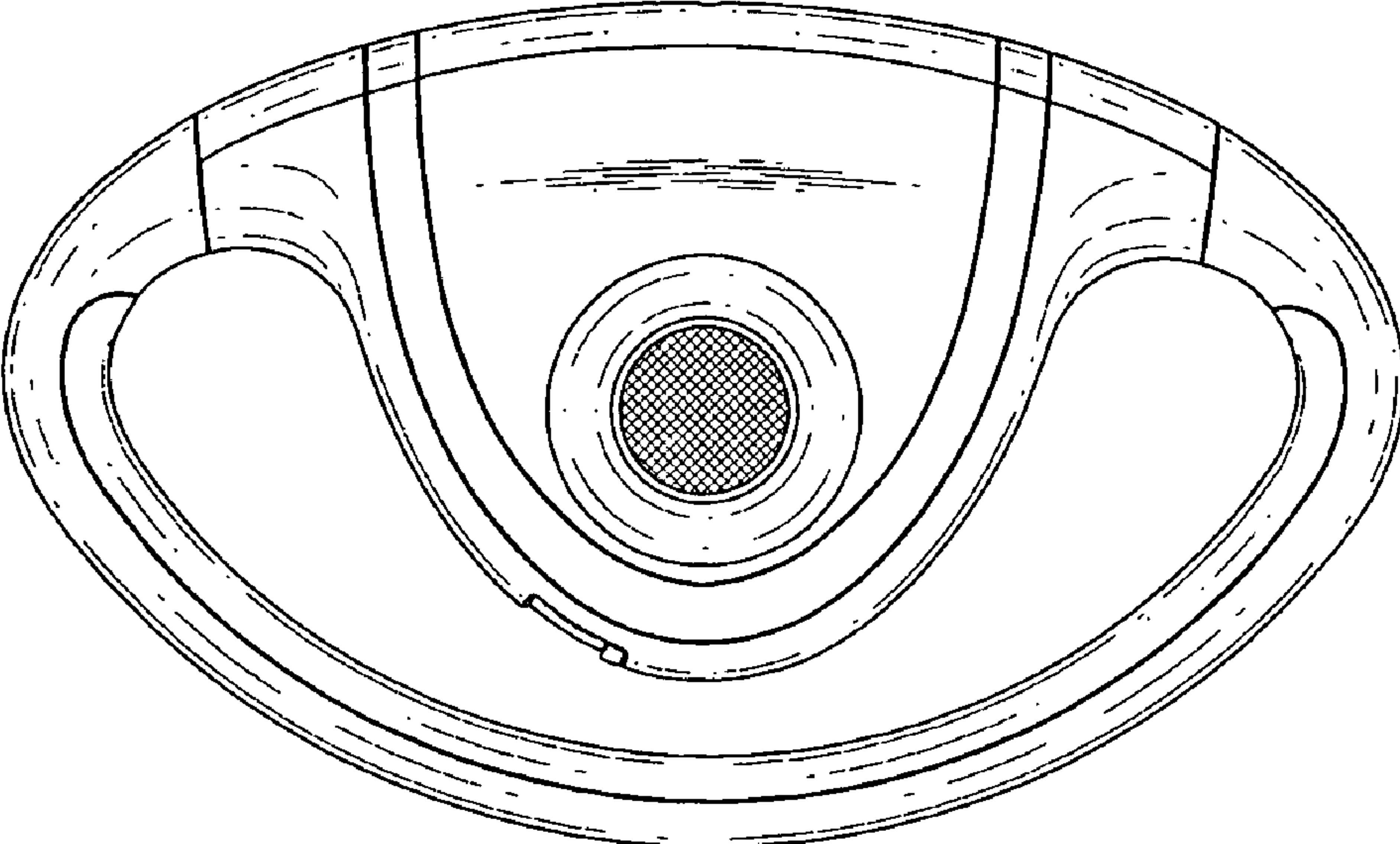


FIG.4



FIG.5

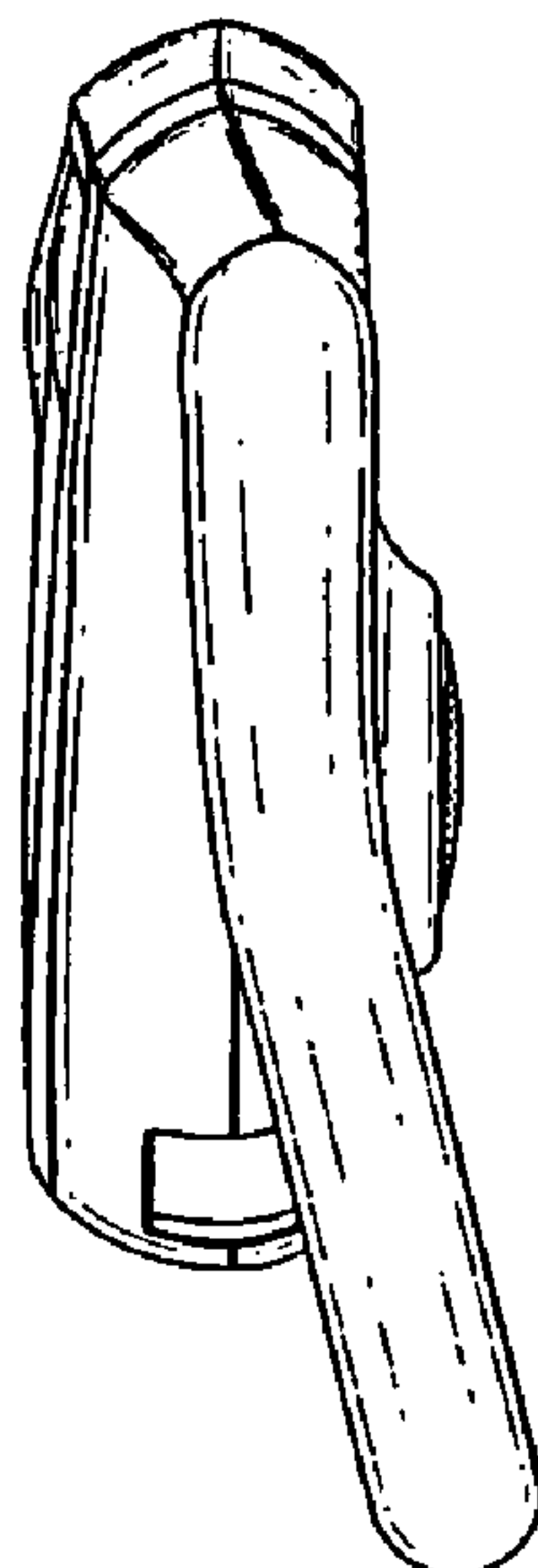


FIG.6

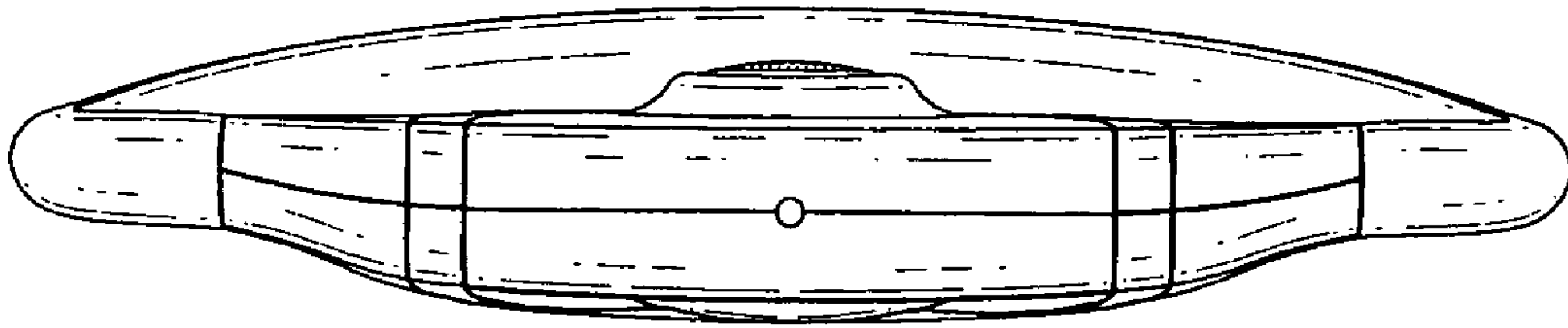


FIG.7

