



US00D565020S

(12) **United States Design Patent**  
**Daly et al.**

(10) **Patent No.:** **US D565,020 S**  
(45) **Date of Patent:** **\*\* Mar. 25, 2008**

(54) **DESKTOP PHONE**

(75) Inventors: **Martin Daly**, South Orange, NJ (US);  
**James Farber**, Rumson, NJ (US);  
**Antoinette Mazza**, Somerset, NJ (US);  
**Wolfgang Schneider**, Frankfurt (DE);  
**Claus-Christian Eckhardt**, Hannover (DE)

(73) Assignee: **Avaya Technology LLC**, Basking Ridge, NJ (US)

(\*\*) Term: **14 Years**

(21) Appl. No.: **29/261,058**

(22) Filed: **Jun. 7, 2006**

(51) **LOC (8) Cl.** ..... **14-03**

(52) **U.S. Cl.** ..... **D14/149**

(58) **Field of Classification Search** ..... D14/130,  
D14/140.7-140.11, 140-140.1, 142, 144,  
D14/149-151, 240, 248; D21/517; 379/419,  
379/428.01-428.04, 420.01, 434-436, 440-442,  
379/454-455, 88.17, 93.17; 382/103; 455/73,  
455/566-569.1

See application file for complete search history.

(56) **References Cited**

**U.S. PATENT DOCUMENTS**

D237,505 S	*	11/1975	Thies	.....	D14/150
D268,579 S	*	4/1983	Marshall	.....	D14/149
D272,905 S	*	3/1984	Blomberg	.....	D14/151
D339,342 S	*	9/1993	Chan	.....	D14/149
D389,831 S	*	1/1998	Muller	.....	D14/149
D406,138 S	*	2/1999	Ramirez	.....	D14/151
D408,817 S	*	4/1999	Ishibashi	.....	D14/149
D471,884 S	*	3/2003	Hinds et al.	.....	D14/151
D472,537 S	*	4/2003	Schramm et al.	.....	D14/149
D478,885 S	*	8/2003	Pilotti	.....	D14/151
D481,698 S	*	11/2003	Yamada et al.	.....	D14/149

D499,705 S \* 12/2004 Guerrero et al. .... D14/130  
2004/0234071 A1 \* 11/2004 Bae et al. .... 379/419

**OTHER PUBLICATIONS**

“BudgeTone 200 SIP Phone”, 1 p including photo, [online],  
<URL:http://voipstore.atacomm.com/Shops/ViewItem.aspx/  
27934028032-51246975744.htm>, retrieved May 17, 2007.\*  
“Northwestern Bell 23110”, 1 p including photo, [online],  
<URL:http://www.101phones.com/flypage/4544/none/  
Northwestern\_Bell\_23110>, retrieved May 17, 2007.\*

\* cited by examiner

*Primary Examiner*—Ian Simmons

*Assistant Examiner*—Carla Jobe Wright

(74) *Attorney, Agent, or Firm*—Geissler, Olds & Lowe, PLLC

(57) **CLAIM**

The ornamental design for a desktop phone, as shown and described.

**DESCRIPTION**

FIG. 1 is a right-front perspective view of the desktop phone showing our new design;

FIG. 2 is a front side view thereof;

FIG. 3 is a back view thereof;

FIG. 4 is a left side view thereof;

FIG. 5 is a right side view thereof;

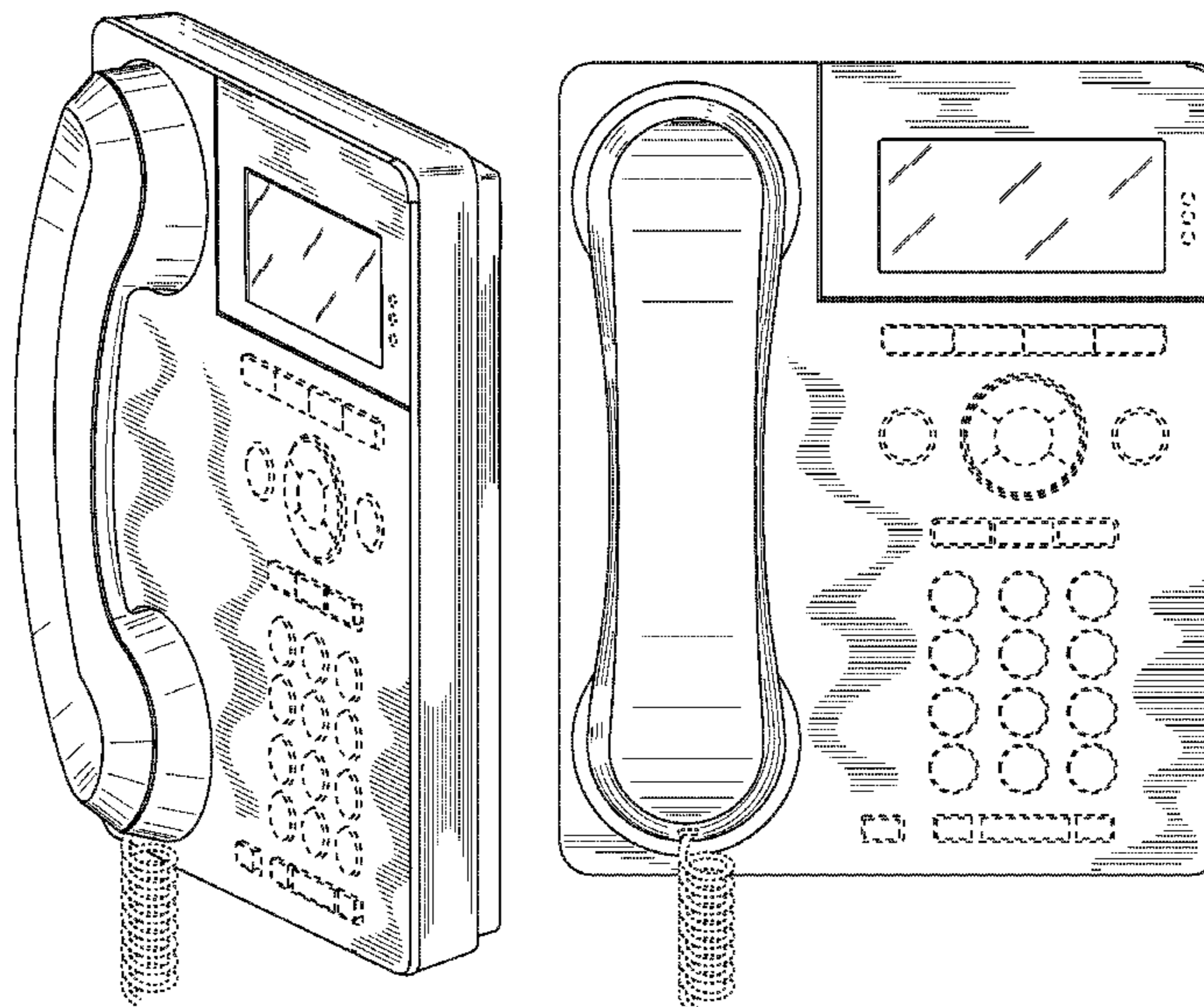
FIG. 6 is a top view thereof;

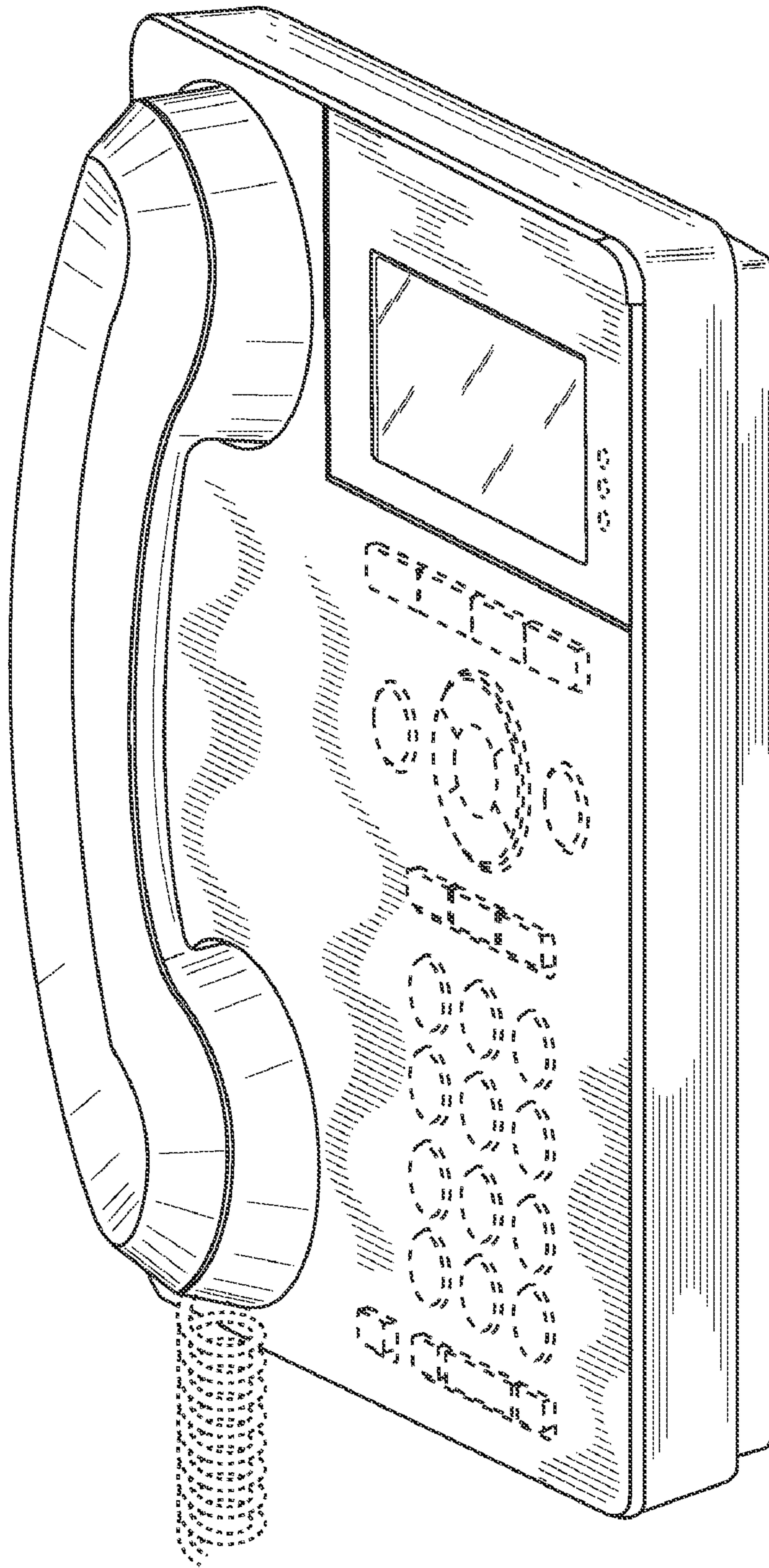
FIG. 7 is a bottom view thereof; and,

FIG. 8 is right-front perspective view of the desktop phone showing a display unit in a tilted position.

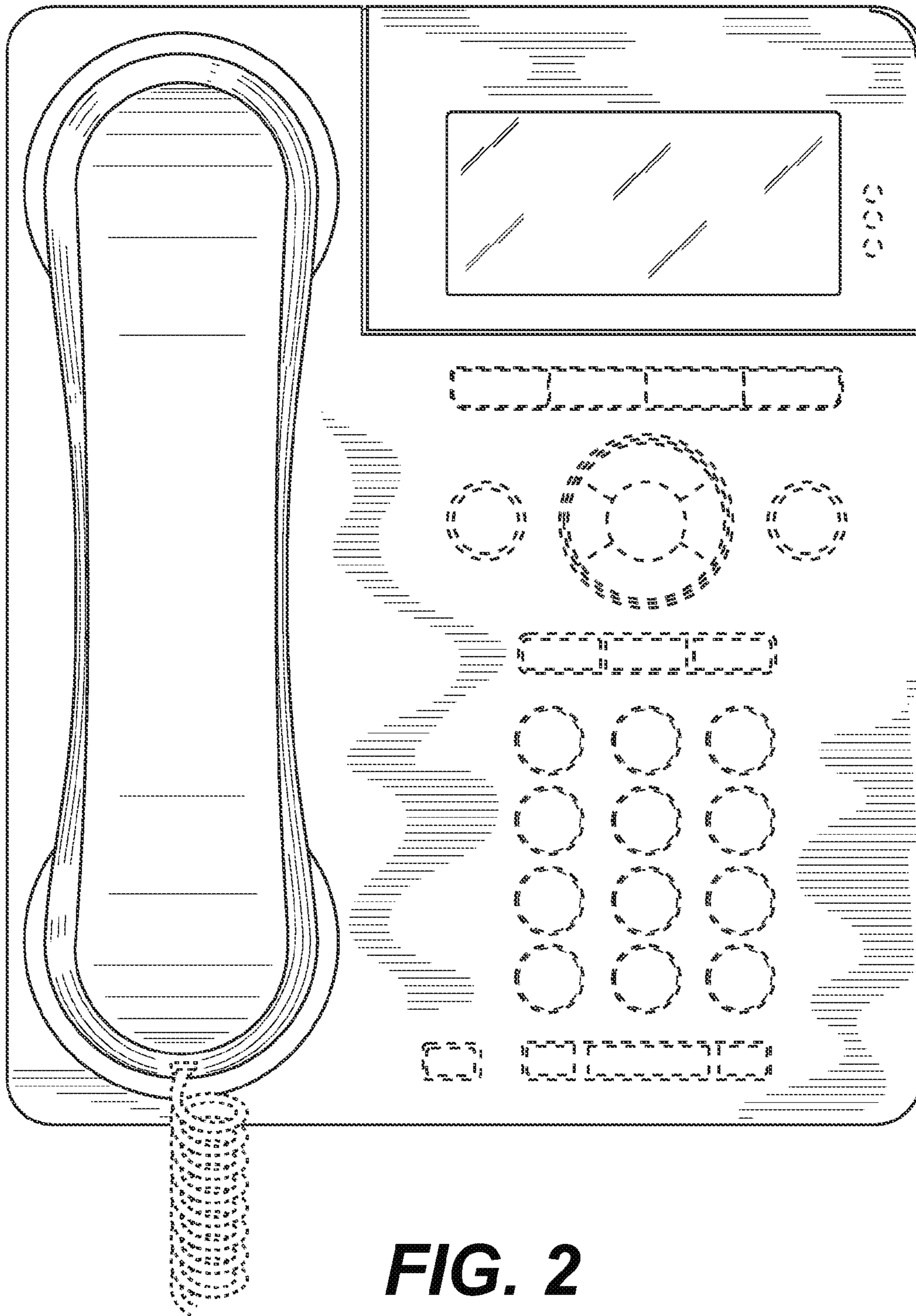
The broken line showing of environmental structures is for illustrative purposes only and forms no part of the claimed design.

**1 Claim, 6 Drawing Sheets**

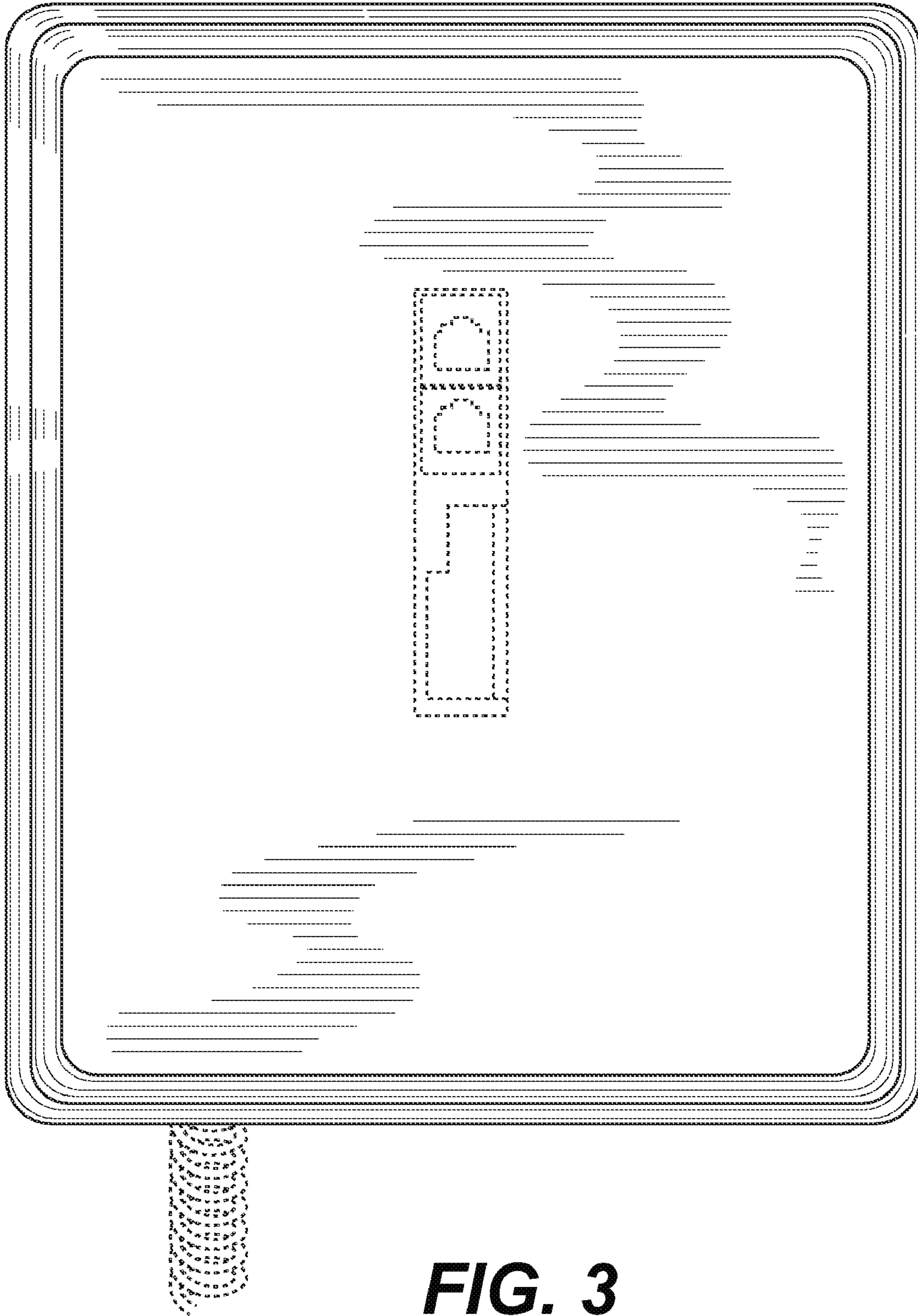




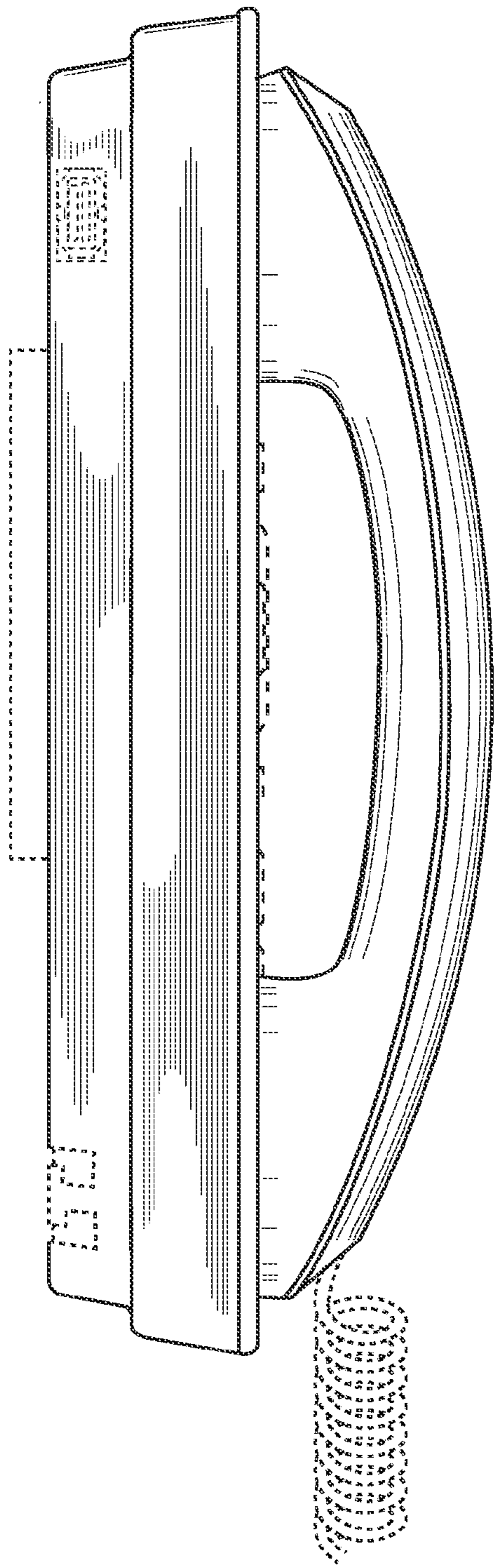
**FIG. 1**



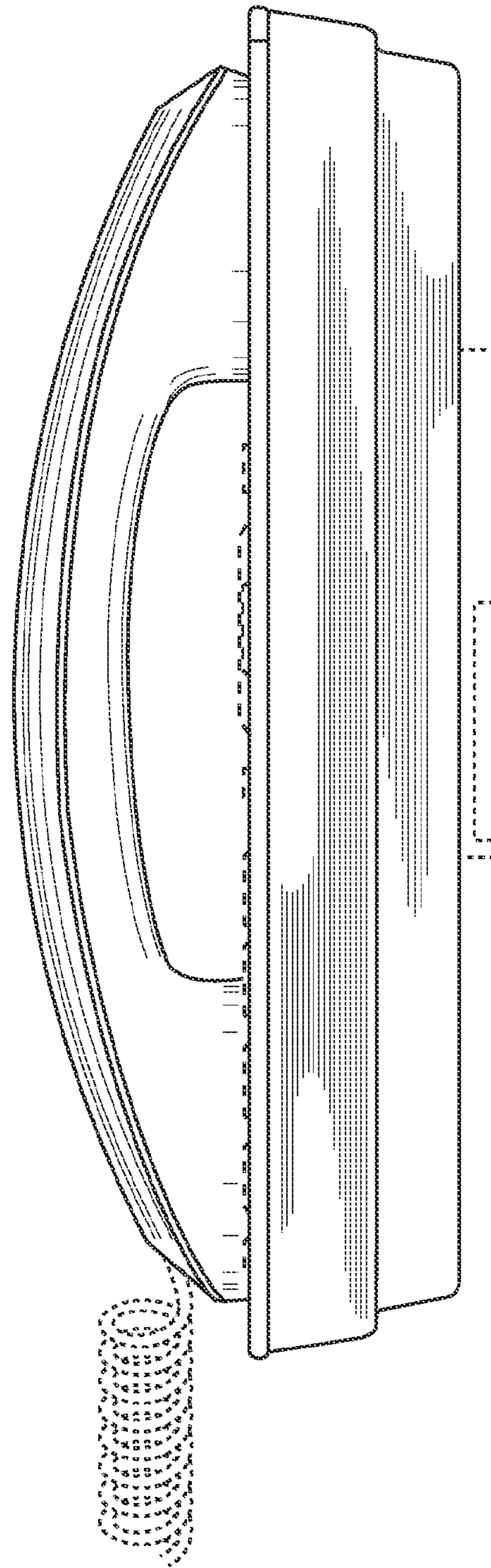
**FIG. 2**



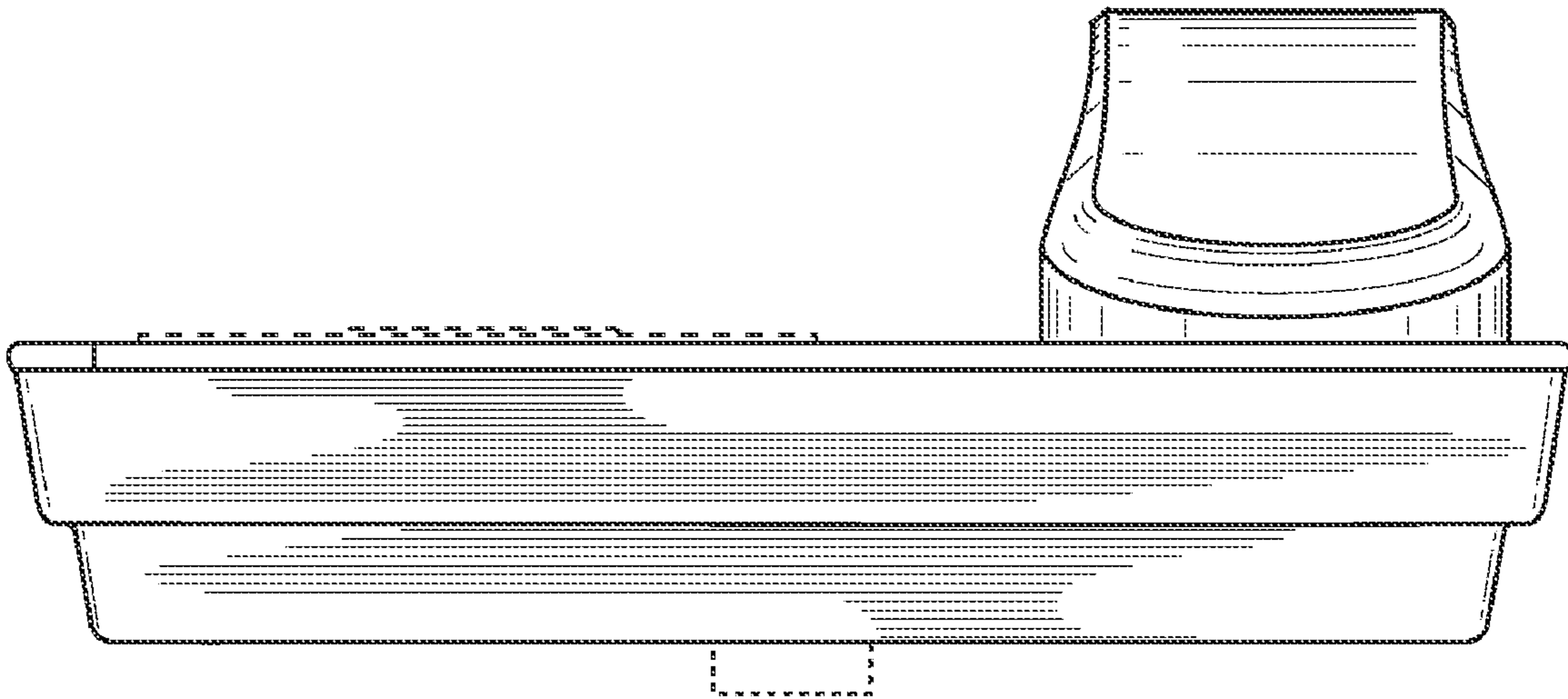
**FIG. 3**



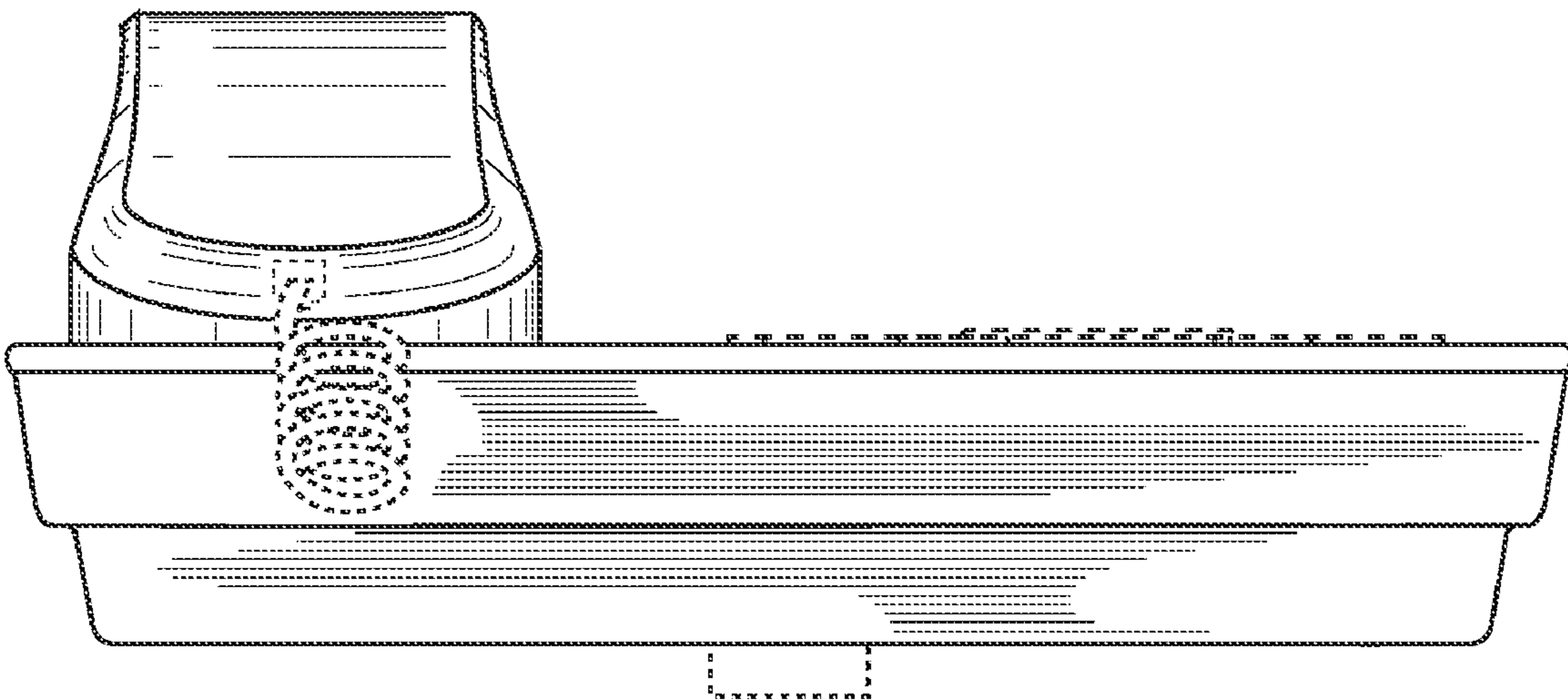
**FIG. 4**



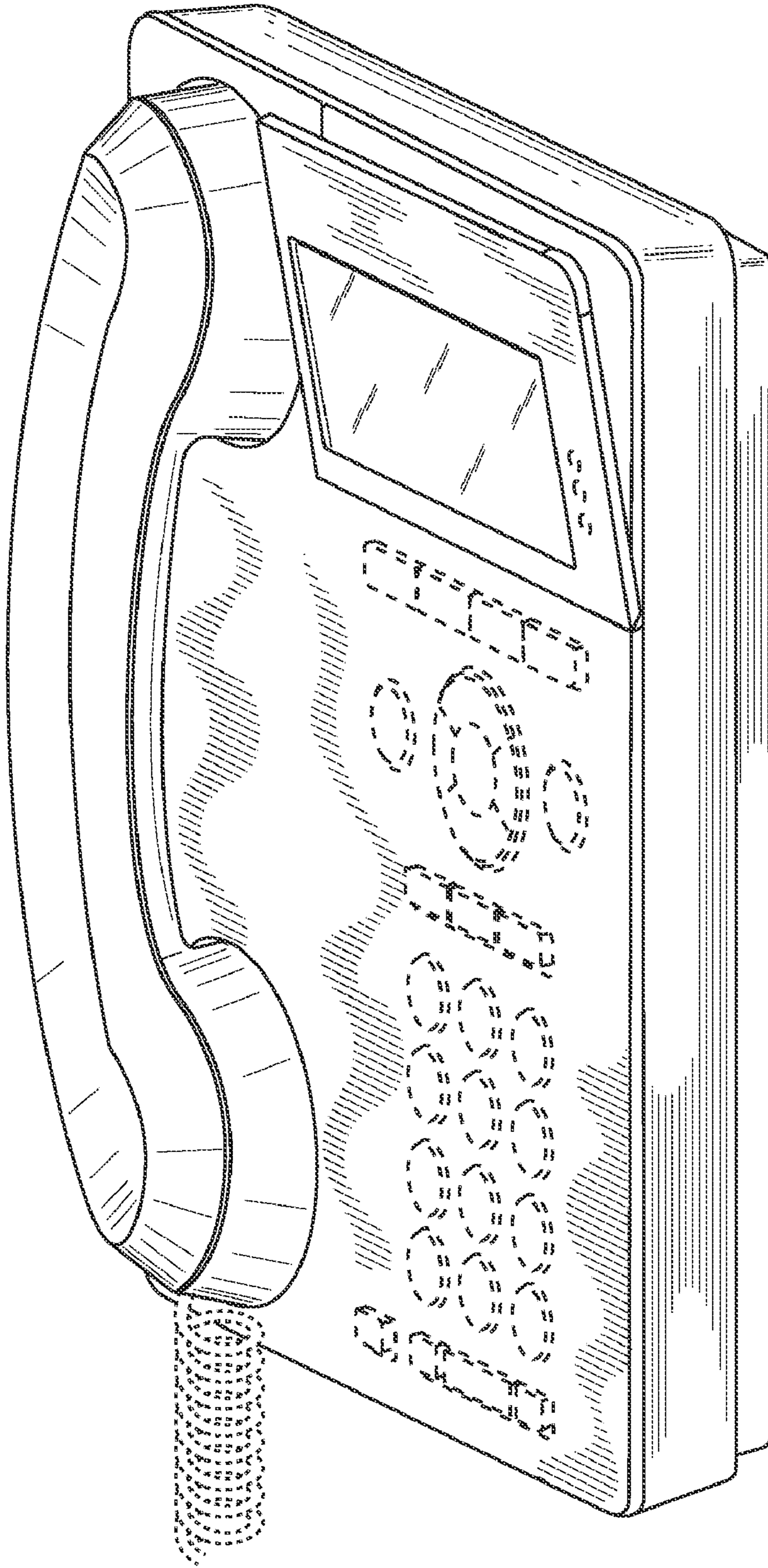
**FIG. 5**



**FIG. 6**



**FIG. 7**



**FIG. 8**