



US00D565001S

(12) **United States Design Patent**  
**Loiske et al.**

(10) **Patent No.:** **US D565,001 S**  
(45) **Date of Patent:** **\*\* Mar. 25, 2008**

(54) **HANDSET**

(75) Inventors: **Janne Loiske**, Turku (FI); **Valtteri Eroma**, Helsinki (FI)

(73) Assignee: **Nokia Corporation**, Espoo (FI)

(\*\*) Term: **14 Years**

(21) Appl. No.: **29/235,612**

(22) Filed: **Aug. 4, 2005**

(30) **Foreign Application Priority Data**

Mar. 23, 2005 (FI) ..... M20050050

(51) **LOC (8) Cl.** ..... **14-03**

(52) **U.S. Cl.** ..... **D14/138**

(58) **Field of Classification Search** ..... D14/137-138,  
D14/147-148, 156, 218, 247-248, 341-347,  
D14/496; D16/208; D21/329, 331, 333,  
D21/517; 348/14.01-14.02; 361/814; 379/  
433.01-433.13; 455/90.3, 556.1-556.2,  
455/566, 575.1, 575.3, 575.4  
See application file for complete search history.

(56) **References Cited**

**U.S. PATENT DOCUMENTS**

6,628,508 B2 \* 9/2003 Lieu et al. .... 361/680  
D487,066 S \* 2/2004 Gartrell et al. .... D14/138

(Continued)

**FOREIGN PATENT DOCUMENTS**

EM 000170899-0001 7/2004  
EM 000170899-0002 7/2004  
EM 000170899-0003 7/2004  
EM 000170899-0004 7/2004  
WO DM/064 013 8/2003

**OTHER PUBLICATIONS**

Nokia E70, announced Oct. 2005, <URL:http://www.gsmarena.com/nokia\_e70-1323.php>, retrieved from internet on Aug. 26, 2007.\*

Nokia 6820, announced 4Q 2003, <URL:http://www.gsmarena.com/nokia\_6820-565.php>, retrieved from internet on Aug. 26, 2007.\*

Nokia 6800, announced 1Q 2003, <URL:http://www.gsmarena.com/nokia\_6800-369.php>, retrieved from internet on Aug. 26, 2007.\*

Nokia 6810, announced 4Q 2003, <URL:http://www.gsmarena.com/nokia\_6810-564.php>, retrieved from internet on Aug. 26, 2007.\*

*Primary Examiner*—Ian Simmons

*Assistant Examiner*—Carla Jobe Wright

(74) *Attorney, Agent, or Firm*—Banner & Witcoff, Ltd

(57) **CLAIM**

The ornamental design for a handset, as shown and described.

**DESCRIPTION**

FIG. 1 is a bottom plan view of a handset showing our new design;

FIG. 2 is a right side view thereof;

FIG. 3 is a front view thereof;

FIG. 4 is a left side view thereof;

FIG. 5 is a top plan view thereof;

FIG. 6 is a rear view thereof;

FIG. 7 is a perspective front view thereof;

FIG. 8 is a perspective rear view thereof;

FIG. 9 is a front view of the handset in an open use position;

FIG. 10 is a perspective front view thereof;

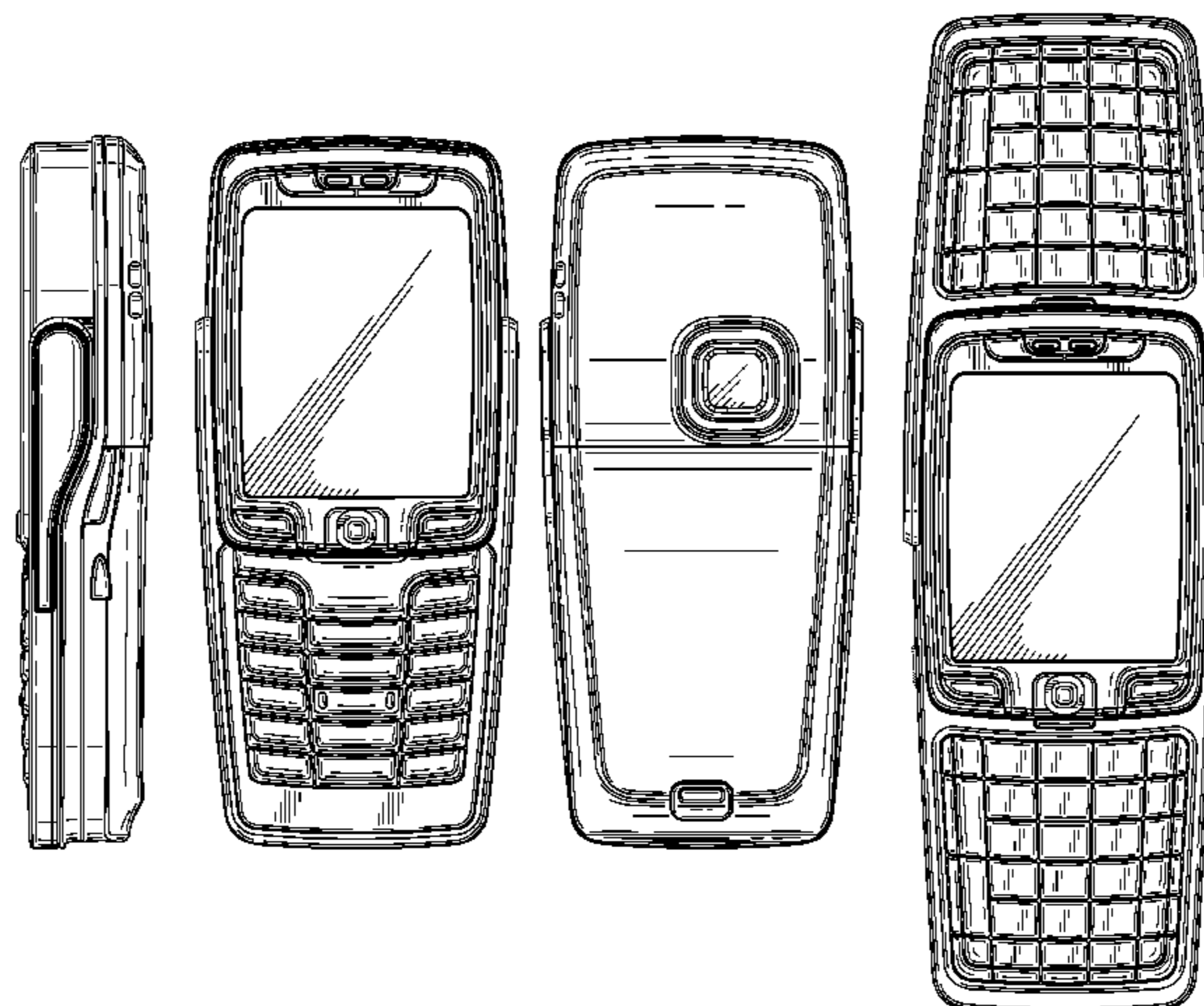
FIG. 11 is a perspective rear view thereof;

FIG. 12 is a right side view thereof; and,

FIG. 13 is a left side view thereof.

The broken line showing of environmental structures is for illustrative purposes only and forms no part of the claimed design.

**1 Claim, 7 Drawing Sheets**



# US D565,001 S

Page 2

---

## U.S. PATENT DOCUMENTS

D488,143 S *	4/2004	Ting et al. ....	D14/138	D518,457 S *	4/2006	Lyles .....	D14/138
D502,933 S *	3/2005	Munstermann .....	D14/138	D524,276 S *	7/2006	Kim et al. ....	D14/138
D503,162 S *	3/2005	Kagami et al. ....	D14/138	D536,325 S *	2/2007	Kim et al. ....	D14/138
D506,191 S *	6/2005	Majanen .....	D14/138	D549,202 S *	8/2007	Kim et al. ....	D14/138
D517,518 S *	3/2006	Nakajima et al. ....	D14/138	2004/0106429 A1 *	6/2004	Park et al. ....	455/550.1

\* cited by examiner

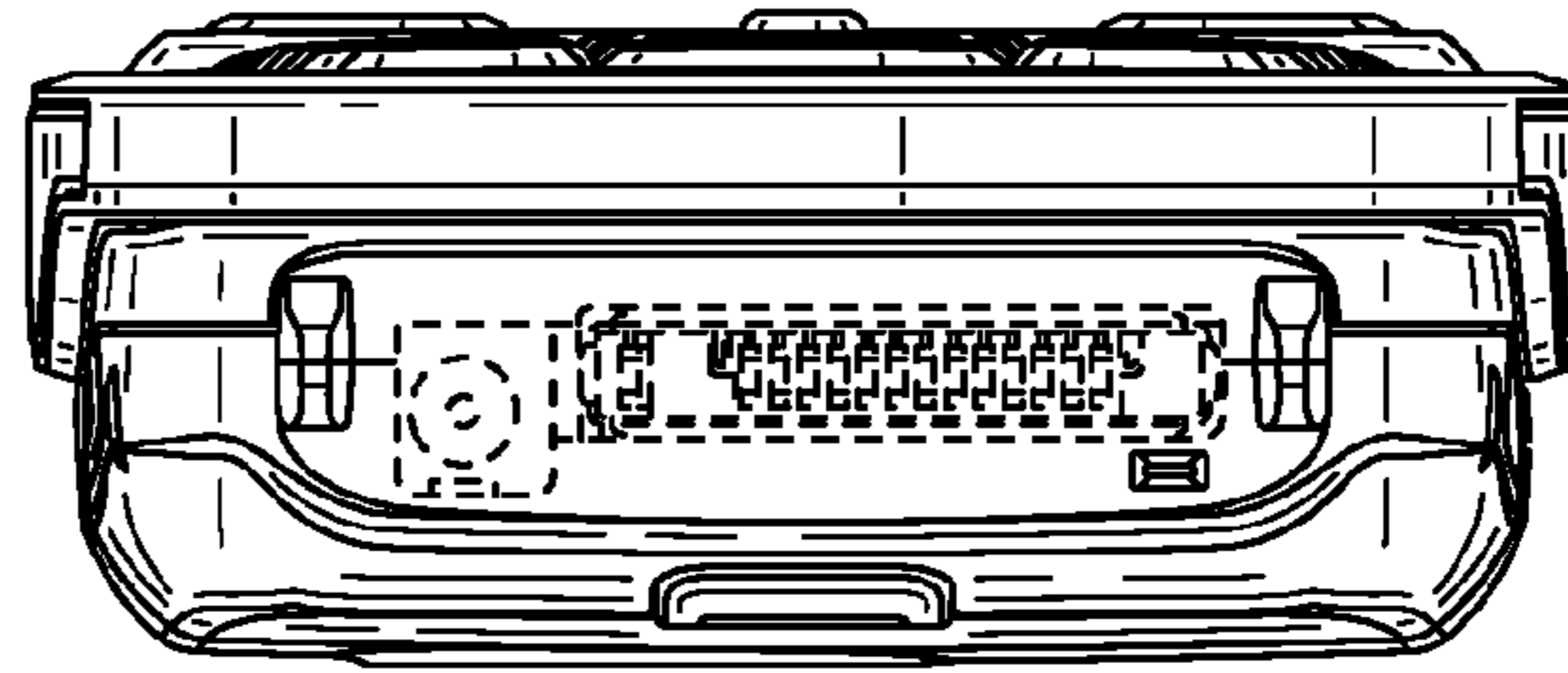


FIG. 1



FIG. 2

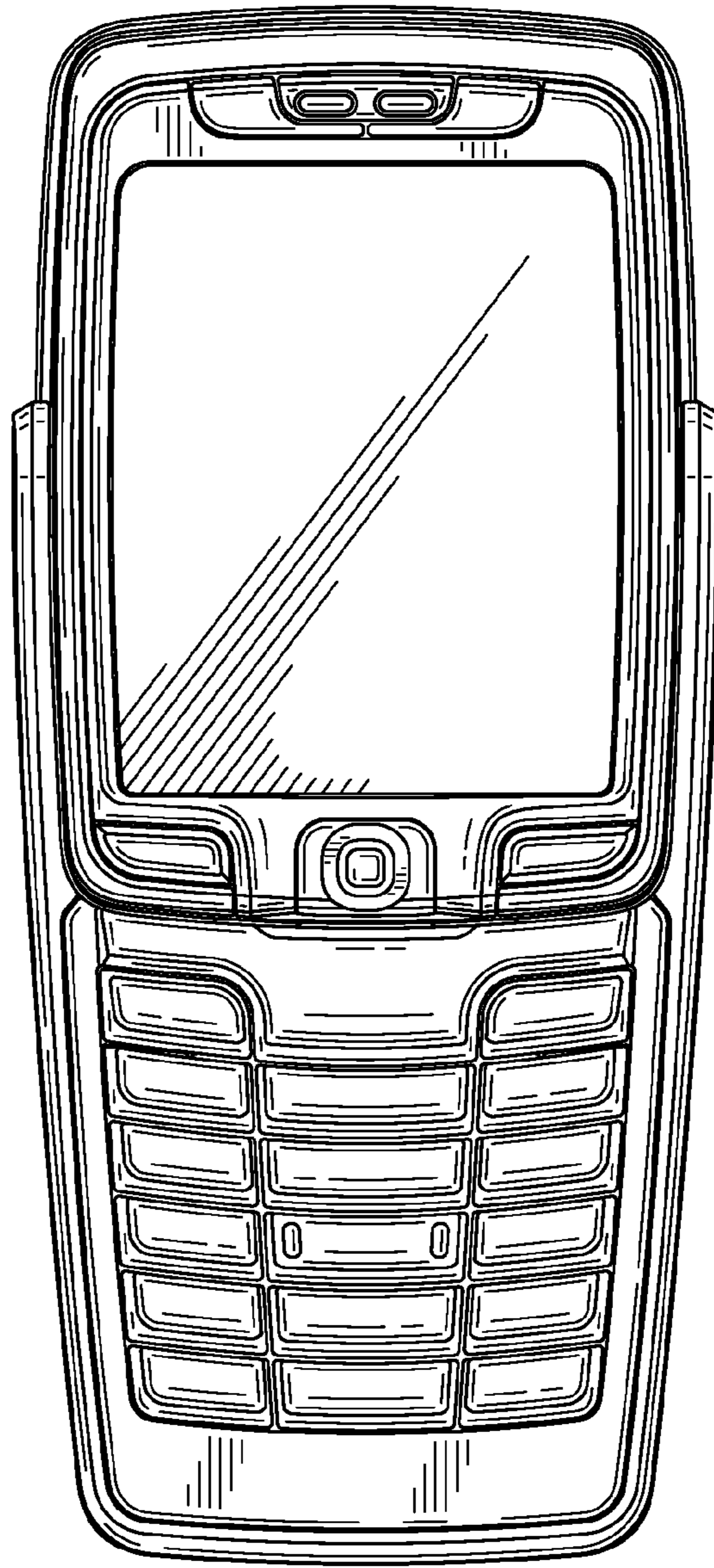


FIG. 3



FIG. 4

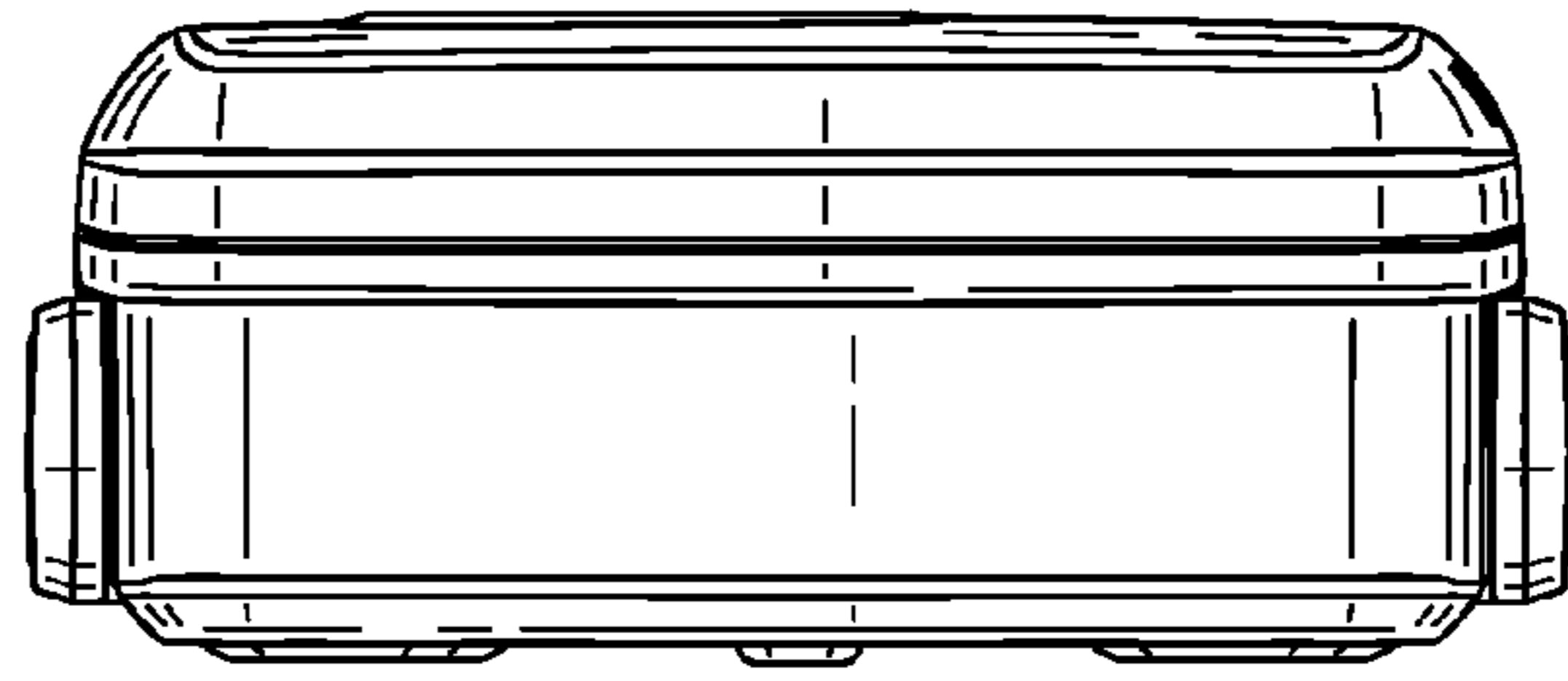


FIG. 5

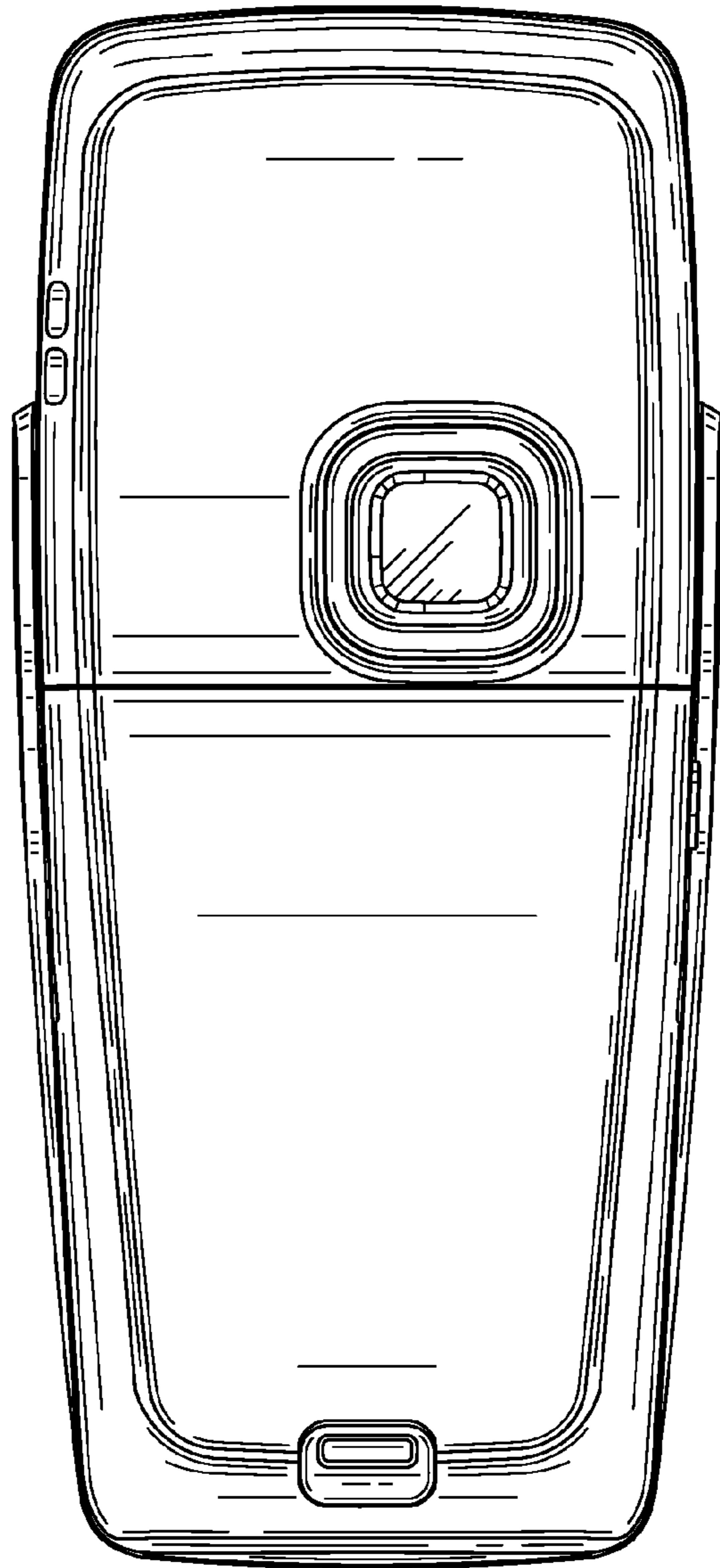


FIG. 6

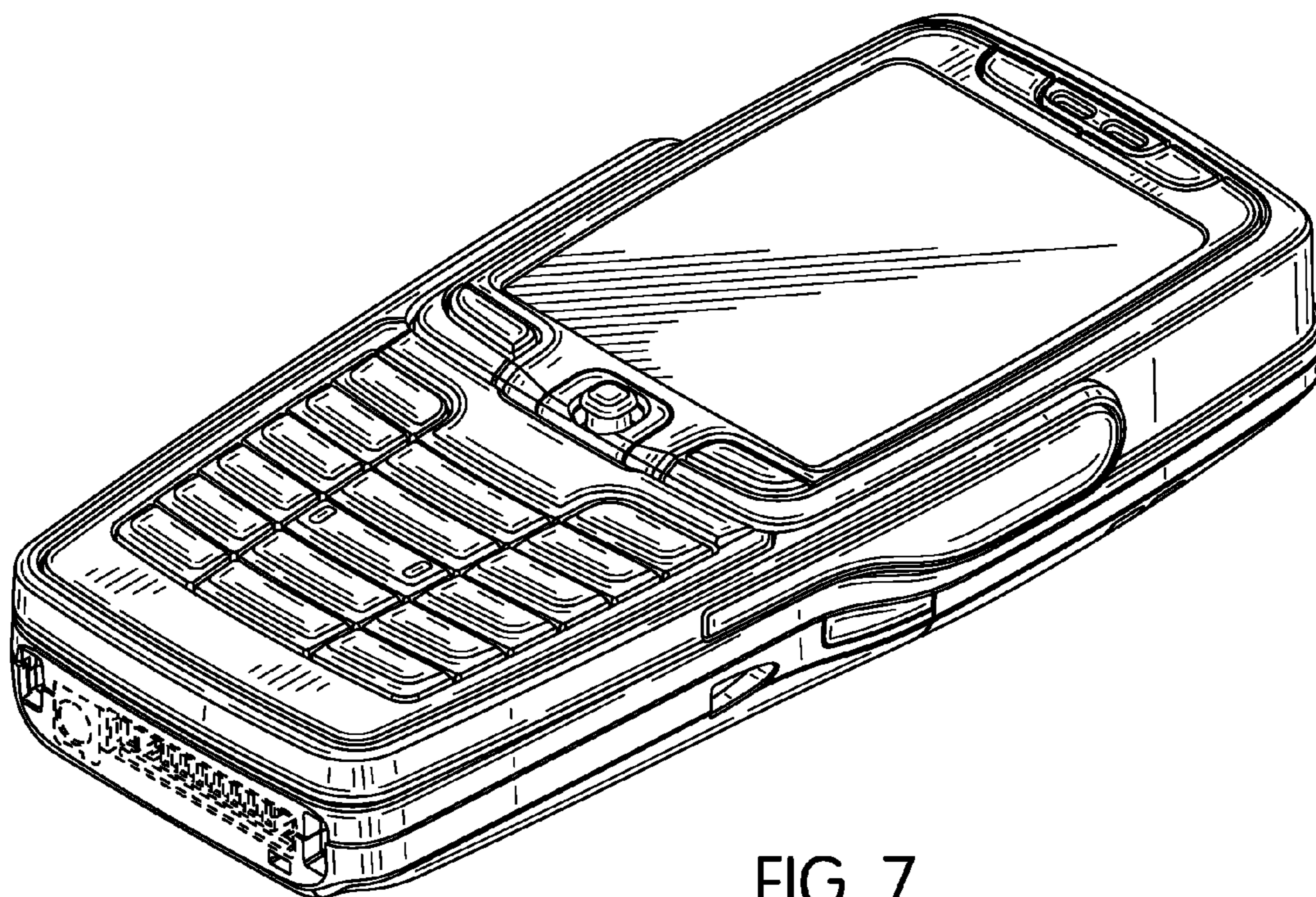


FIG. 7

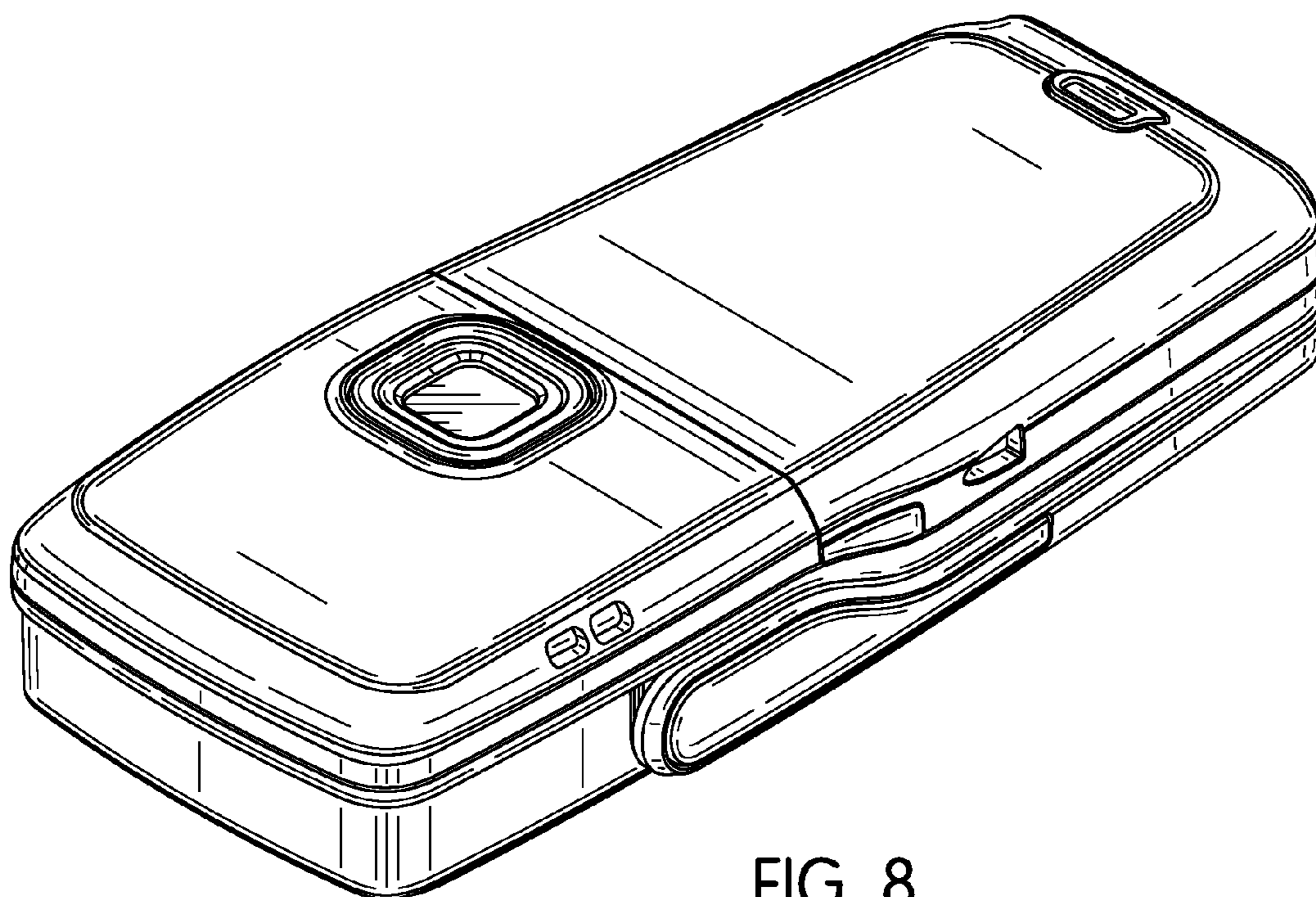


FIG. 8

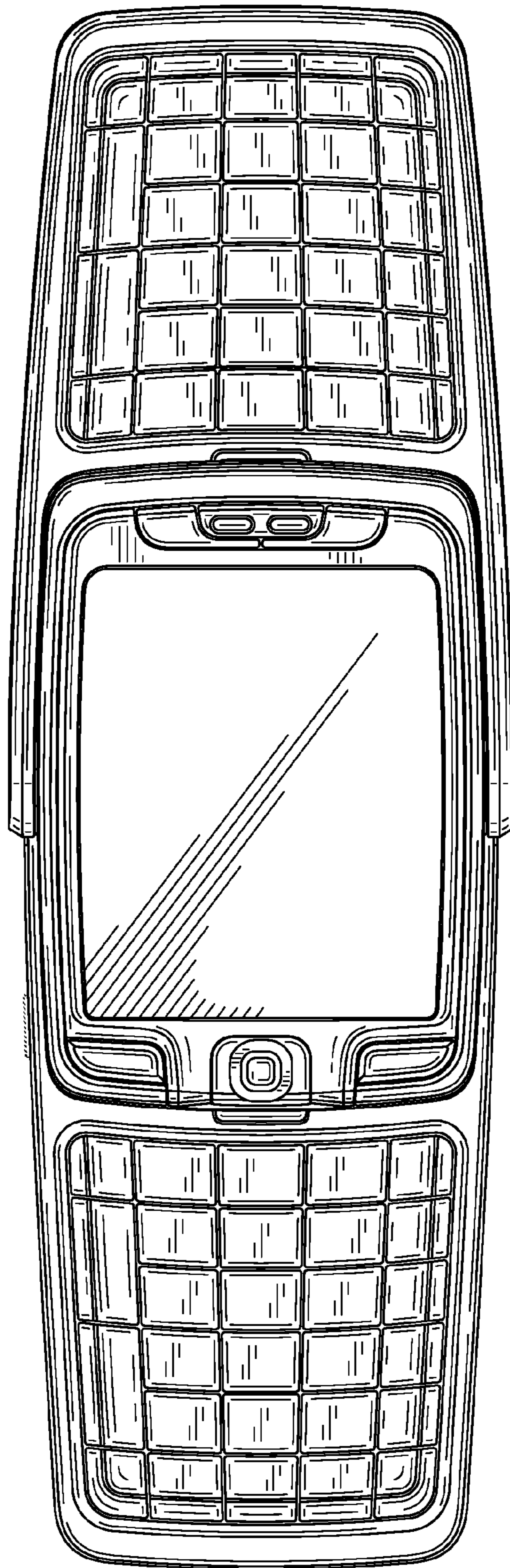


FIG. 9

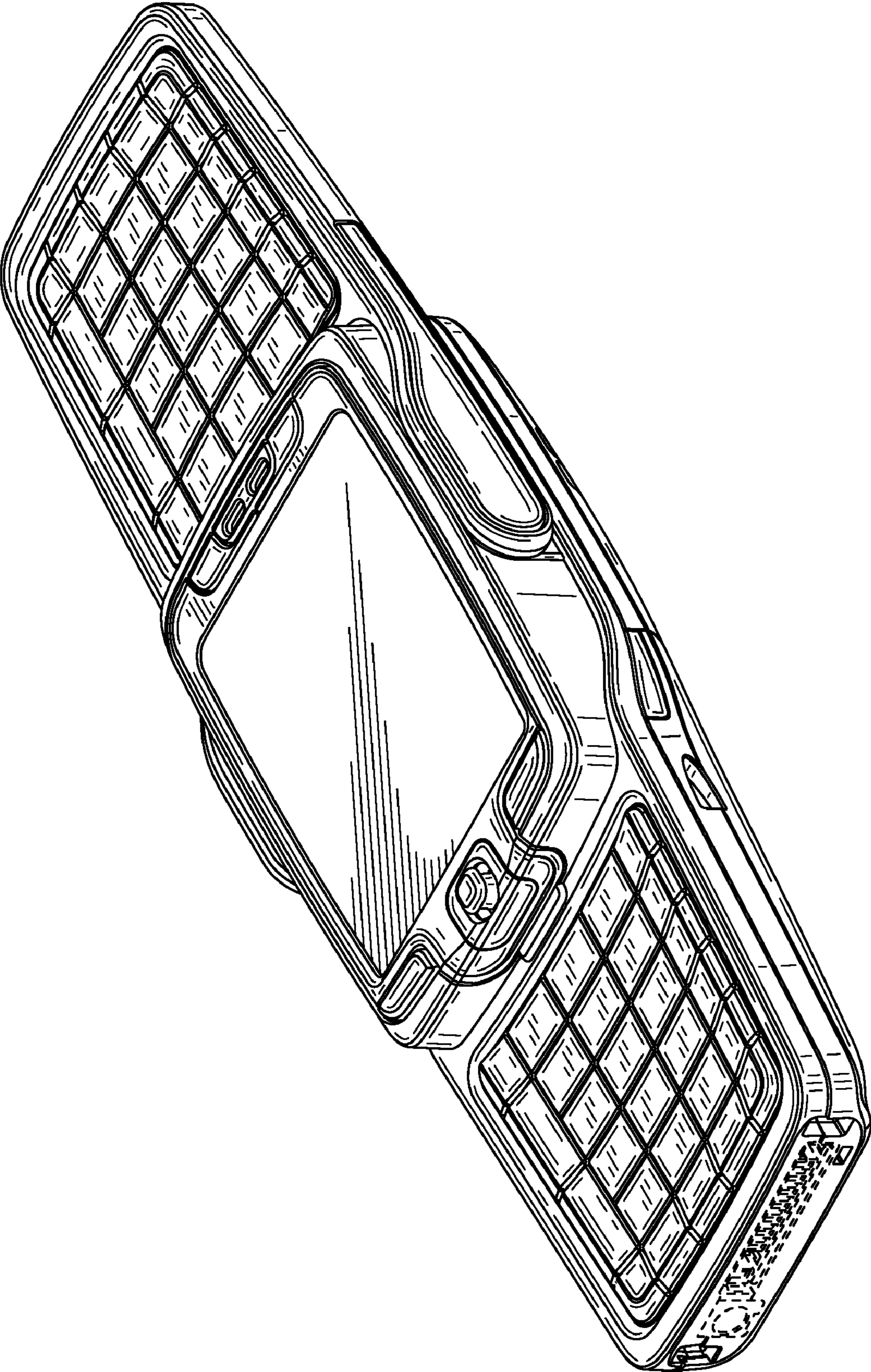


FIG. 10

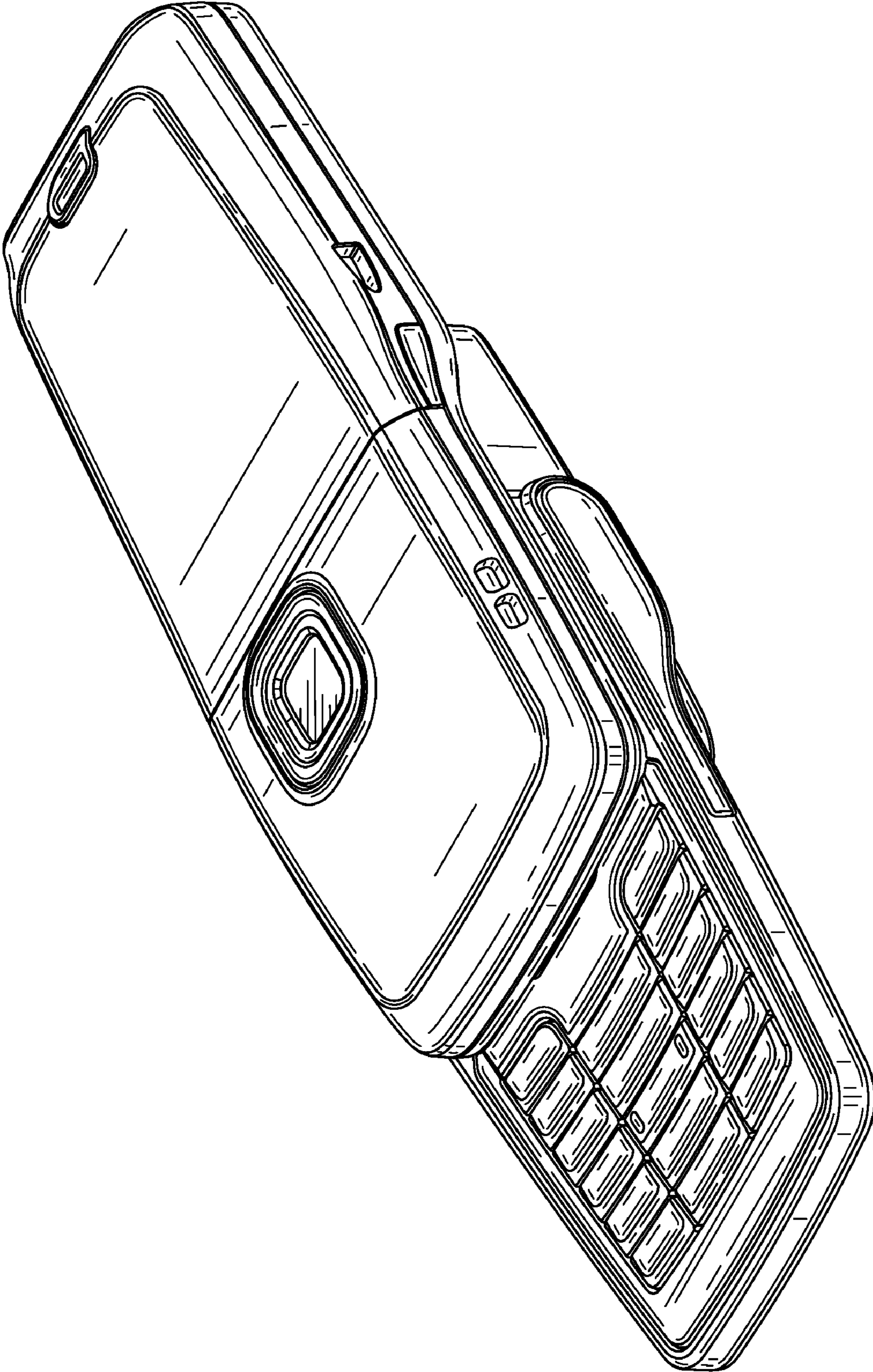


FIG. 11



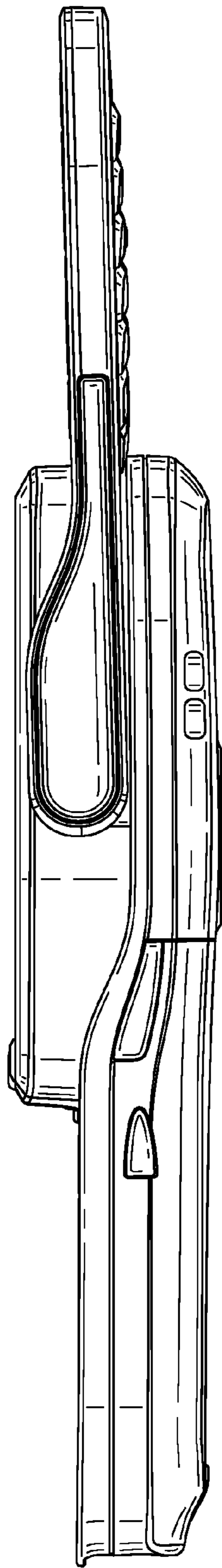


FIG. 12

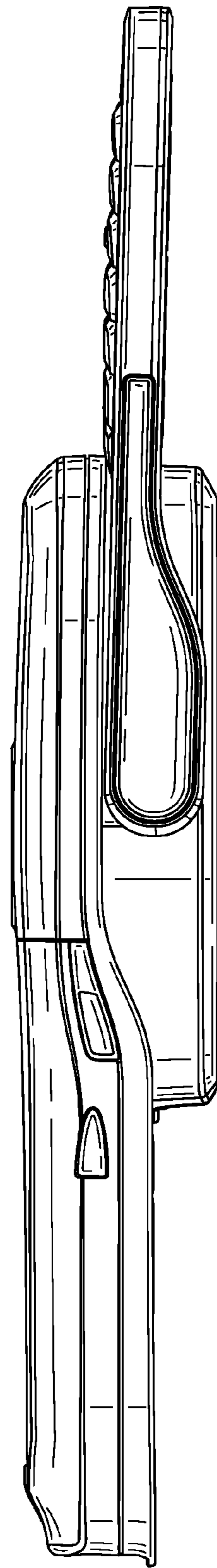


FIG. 13