



US00D564999S

(12) **United States Design Patent** (10) **Patent No.:** **US D564,999 S**
Richards et al. (45) **Date of Patent:** **** Mar. 25, 2008**

(54) **HOUSING FOR A COMMUNICATION DEVICE**

(75) Inventors: **Scott H. Richards**, Plantation, FL (US);
Bruce A. Claxton, Coral Springs, FL (US); **Jorge L. Garcia**, Plantation, FL (US)

(73) Assignee: **Motorola, Inc.**, Schaumburg, IL (US)

(**) Term: **14 Years**

(21) Appl. No.: **29/282,949**

(22) Filed: **Aug. 2, 2007**

(51) **LOC (8) Cl.** **14-03**

(52) **U.S. Cl.** **D14/137**

(58) **Field of Classification Search** D14/137-138,
D14/144, 188, 147-148, 155, 159, 191-192,
D14/194, 240, 197-198, 358, 225, 247-248,
D14/383-385, 417, 496, 218; 379/433.01,
379/420.01-420.04, 419, 440, 428.01-428.04;
D10/104-106; 340/573.1, 573.3-573.4;
361/814; 455/90.2-90.3, 347-349, 351,
455/556.1, 575.1; D13/168

See application file for complete search history.

(56) **References Cited**

U.S. PATENT DOCUMENTS

D273,864 S * 5/1984 Eckmann D14/137
D280,507 S * 9/1985 Claxton et al. D14/137

(Continued)

FOREIGN PATENT DOCUMENTS

HK 0110654.9 * 6/2001
KR 0226057 * 8/1998

Primary Examiner—Jeffrey Asch
Assistant Examiner—Carla Jobe Wright
(74) *Attorney, Agent, or Firm*—Barbara R. Doutré

(57) **CLAIM**

The ornamental design for a housing for a communication device, as shown and described.

DESCRIPTION

FIG. 1 is a perspective view of a first embodiment of an ornamental design for a housing for a communication device.

FIG. 2 is a perspective view of a first embodiment of an ornamental design for a housing for a communication device.

FIG. 3 is a front view of the first embodiment thereof.

FIG. 4 is a rear view of the first embodiment thereof.

FIG. 5 is a first side view of the first embodiment thereof.

FIG. 6 is a second side view of the first embodiment thereof.

FIG. 7 is a top view of the first embodiment thereof.

FIG. 8 is a bottom view of the first embodiment thereof.

FIG. 9 is a perspective view of a second embodiment of an ornamental design for a housing for a communication device.

FIG. 10 is a perspective view of a second embodiment of an ornamental design for a housing for a communication device.

FIG. 11 is a front view of the second embodiment thereof.

FIG. 12 is a rear view of the second embodiment thereof.

FIG. 13 is a first side view of the second embodiment thereof.

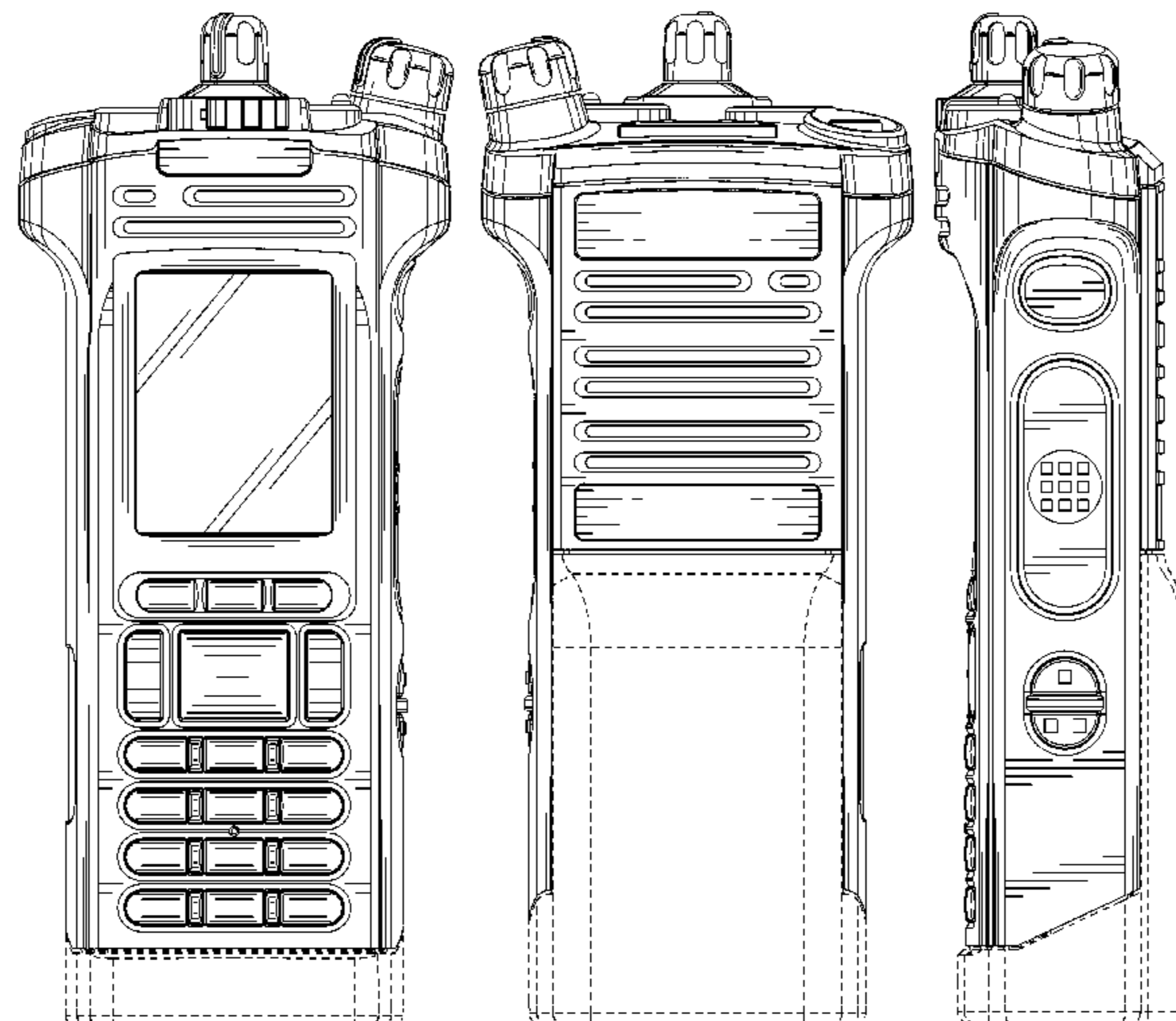
FIG. 14 is a second side view of the second embodiment thereof.

FIG. 15 is a top view of the second embodiment thereof; and,

FIG. 16 is a bottom view of the second embodiment thereof.

The broken lines shown in FIGS. 1-8 are included for the purpose of illustrating environmental elements only and form no part of the claimed design.

1 Claim, 12 Drawing Sheets



US D564,999 S

Page 2

U.S. PATENT DOCUMENTS

D290,842 S *	7/1987	Scheid et al.	D14/137	D384,661 S *	10/1997	Burrell et al.	D14/137
D302,688 S *	8/1989	Toth et al.	D14/137	D430,125 S *	8/2000	Larson et al.	D14/137
D325,907 S *	5/1992	Dickson	D14/137	D490,064 S *	5/2004	Yi	D14/137
D339,338 S *	9/1993	Tattari et al.	D14/138	D490,786 S *	6/2004	Richards et al.	D14/137
D340,927 S *	11/1993	Goatman	D14/137	6,785,386 B1 *	8/2004	Mason	379/433.01
D348,664 S *	7/1994	Imazeki	D14/137				

* cited by examiner

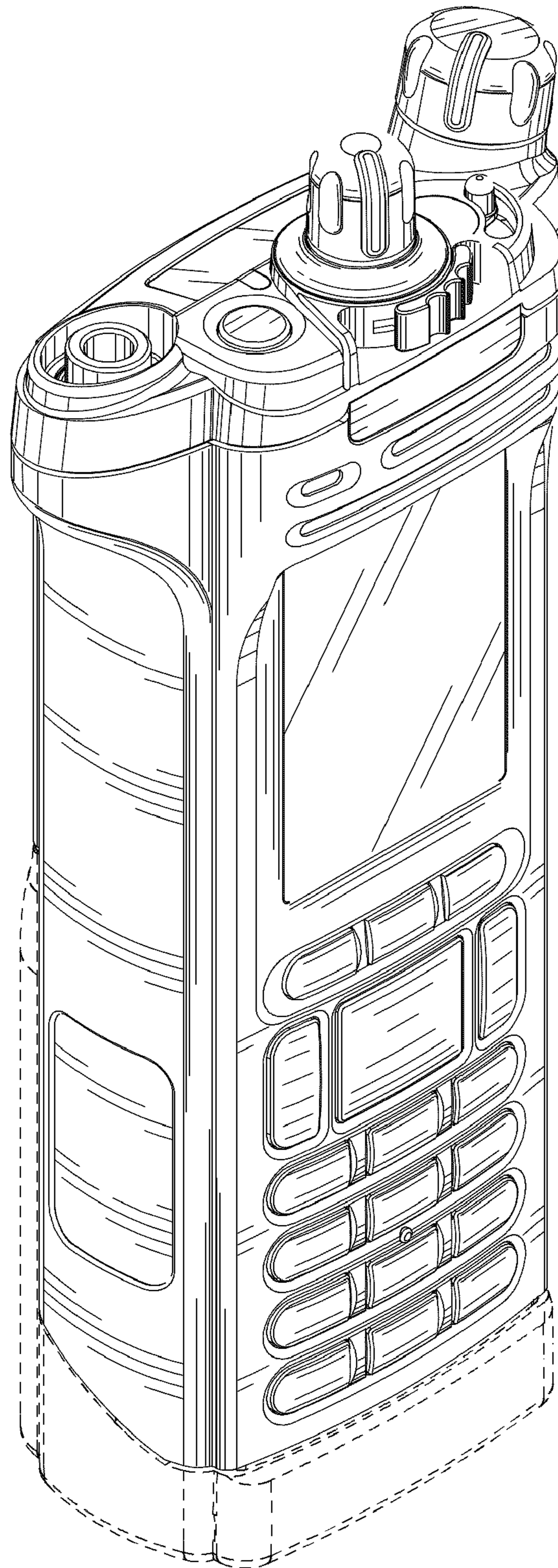


FIG. 1

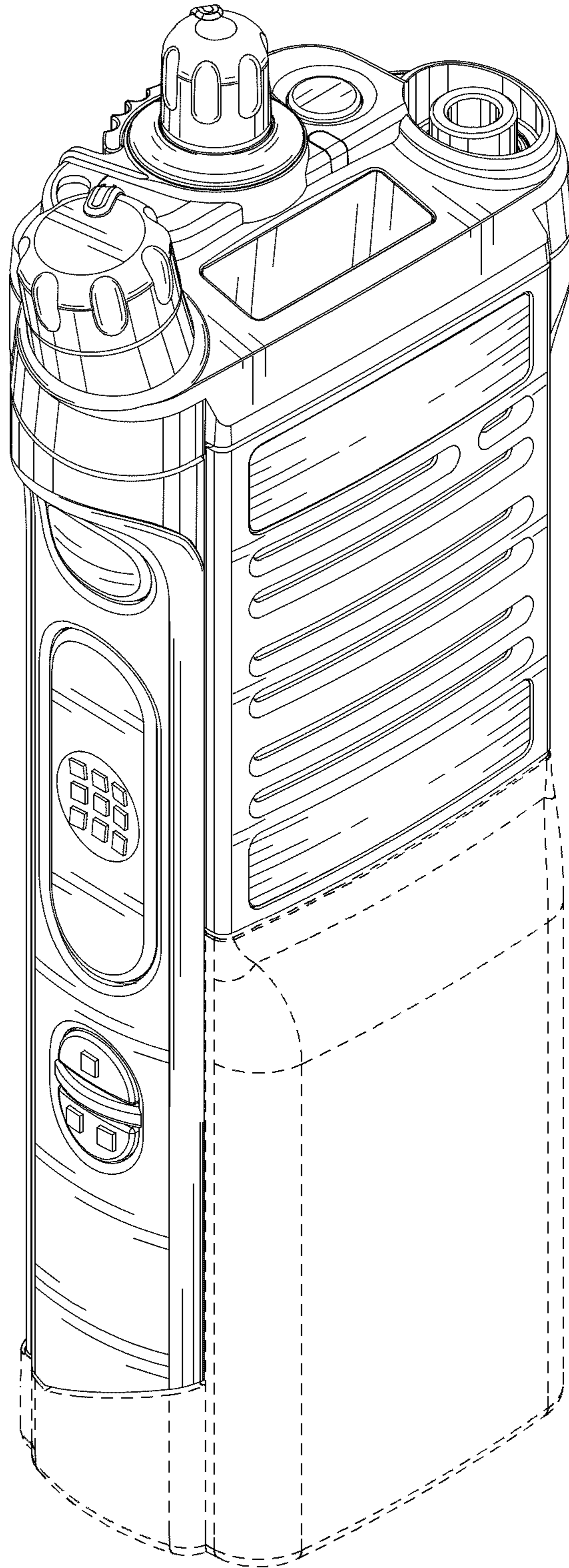


FIG. 2

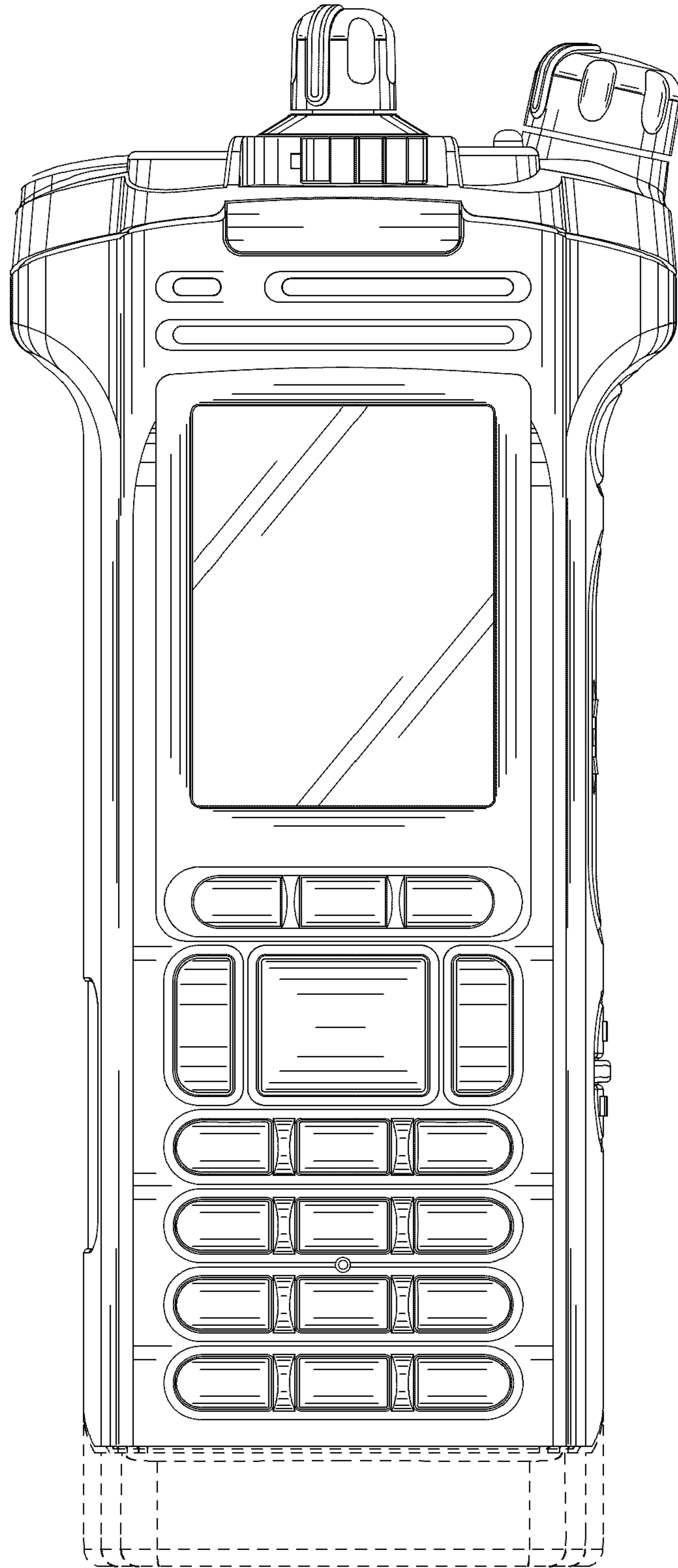


FIG. 3

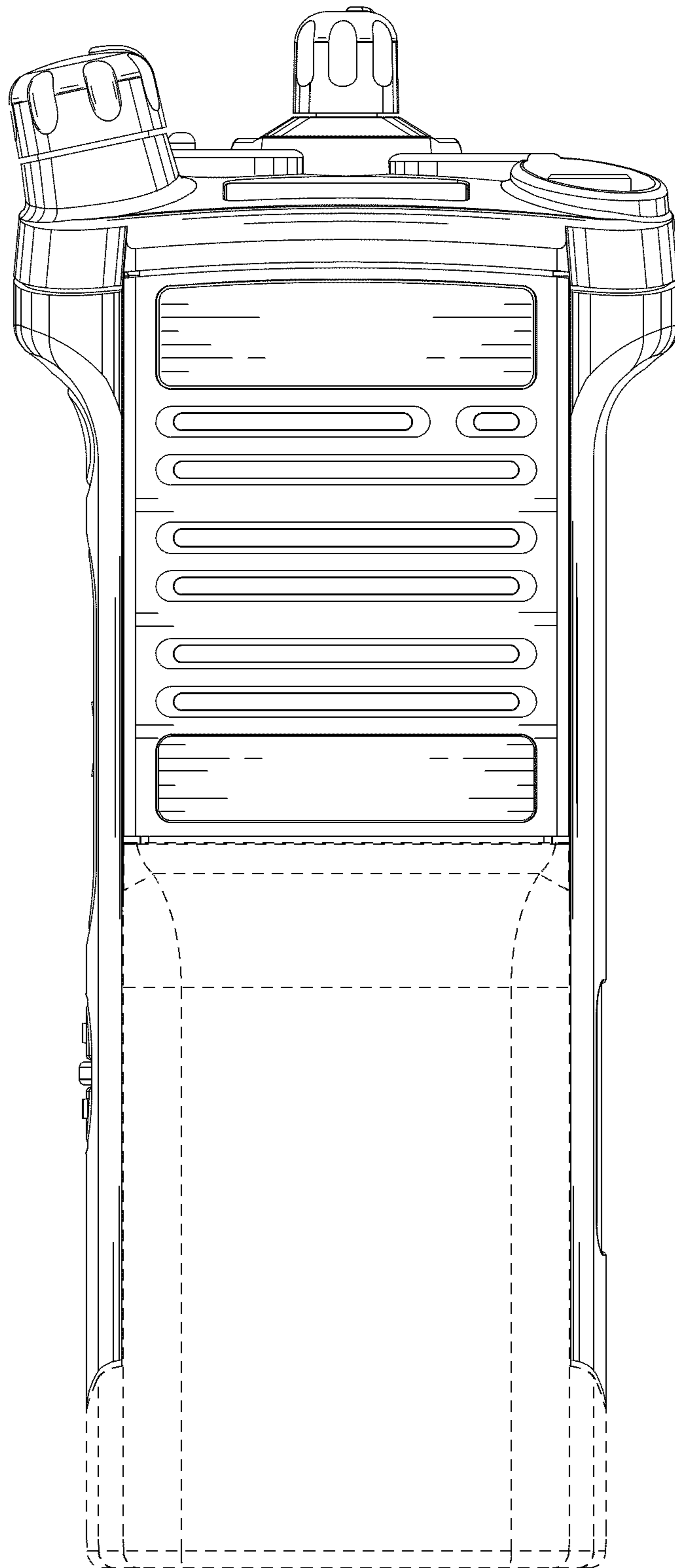


FIG. 4

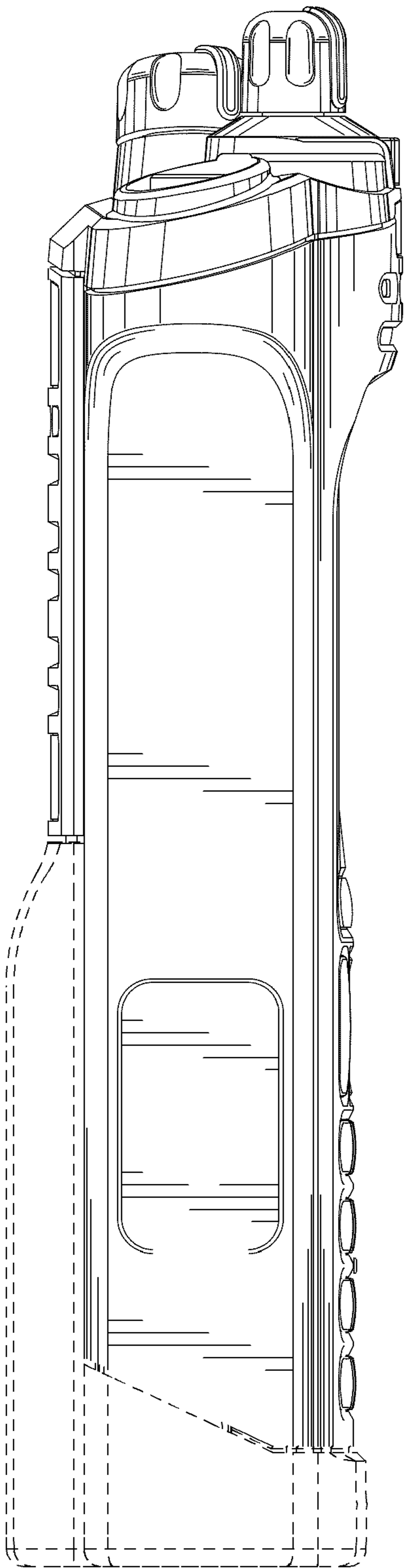


FIG. 5

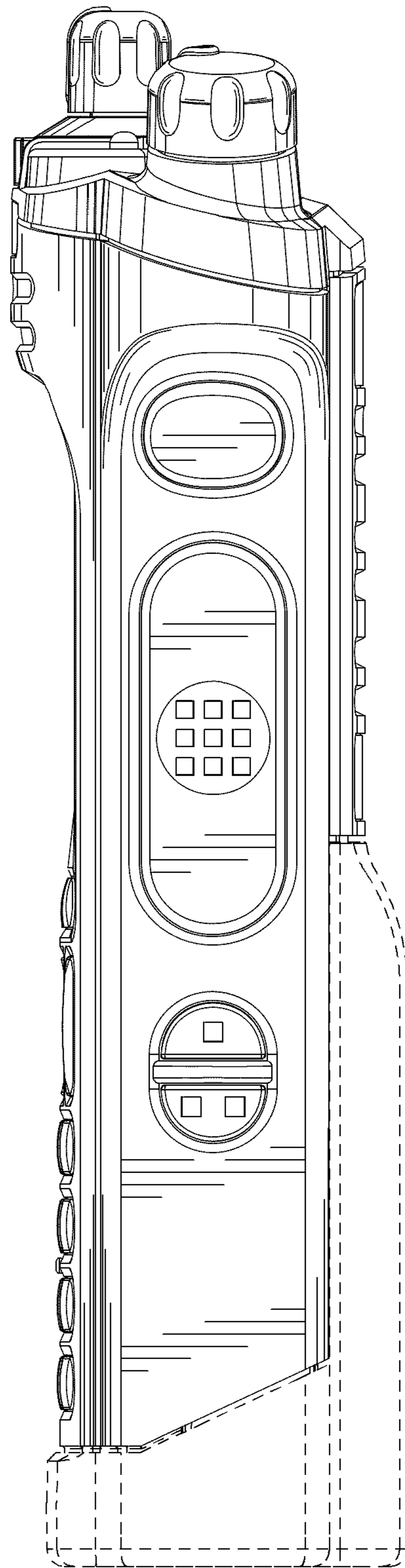


FIG. 6

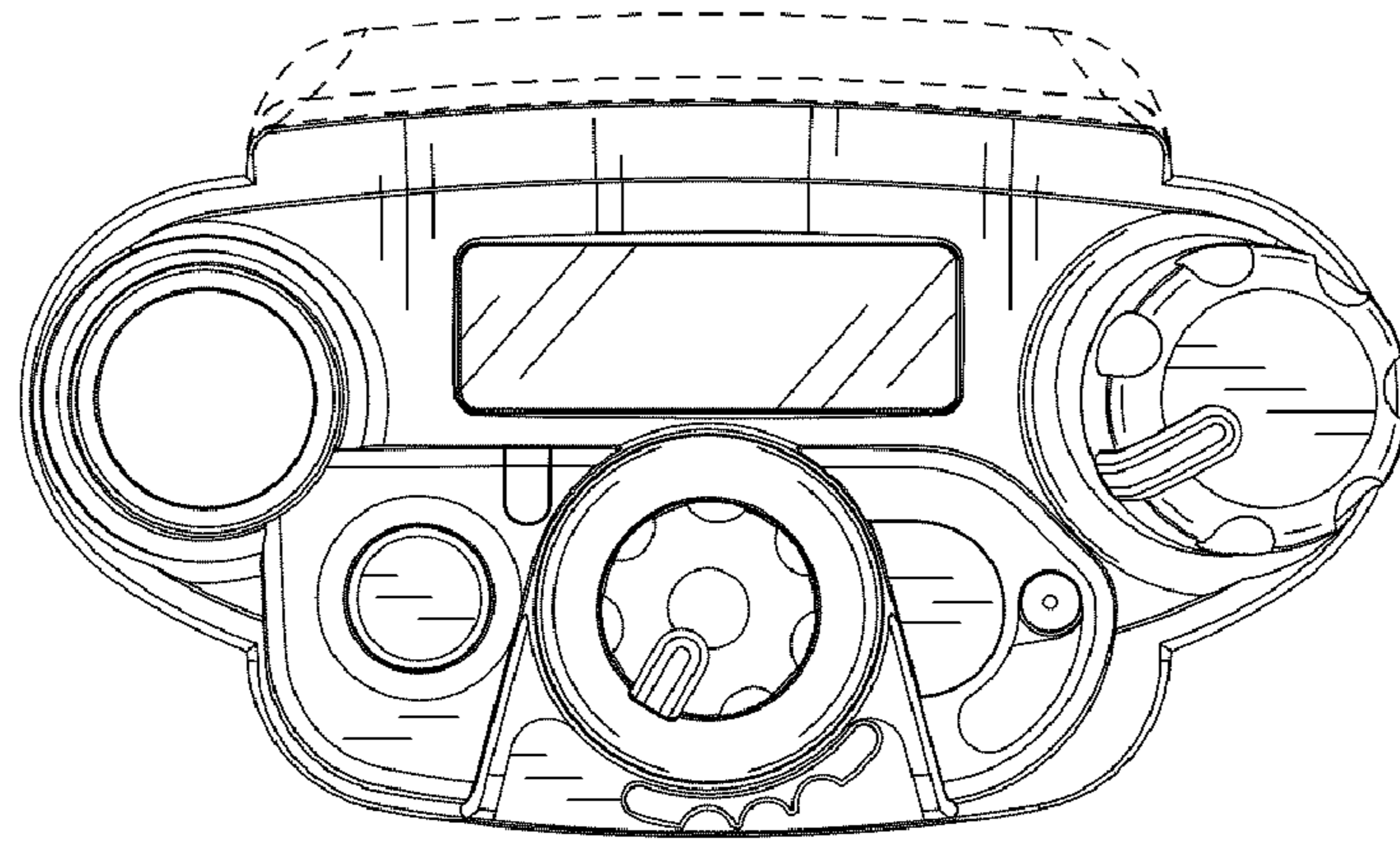


FIG. 7

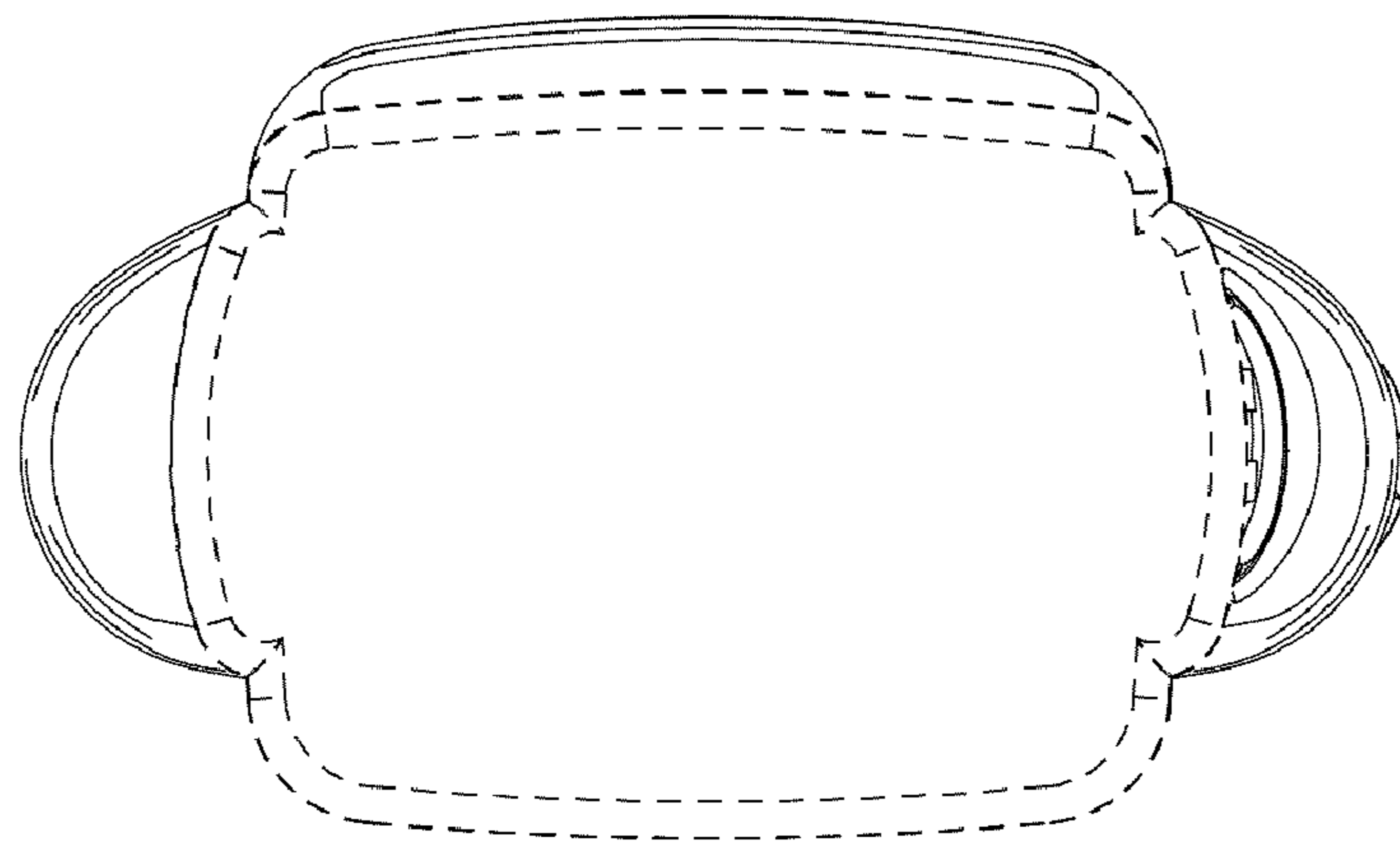


FIG. 8

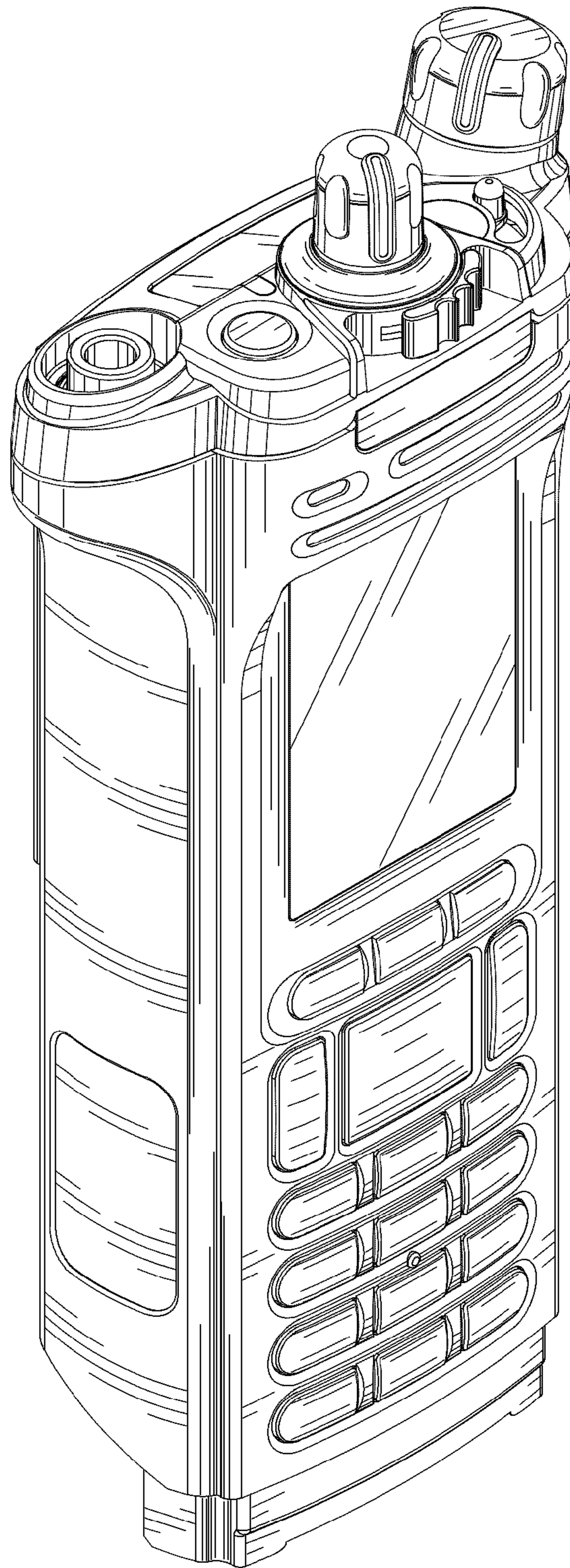


FIG. 9

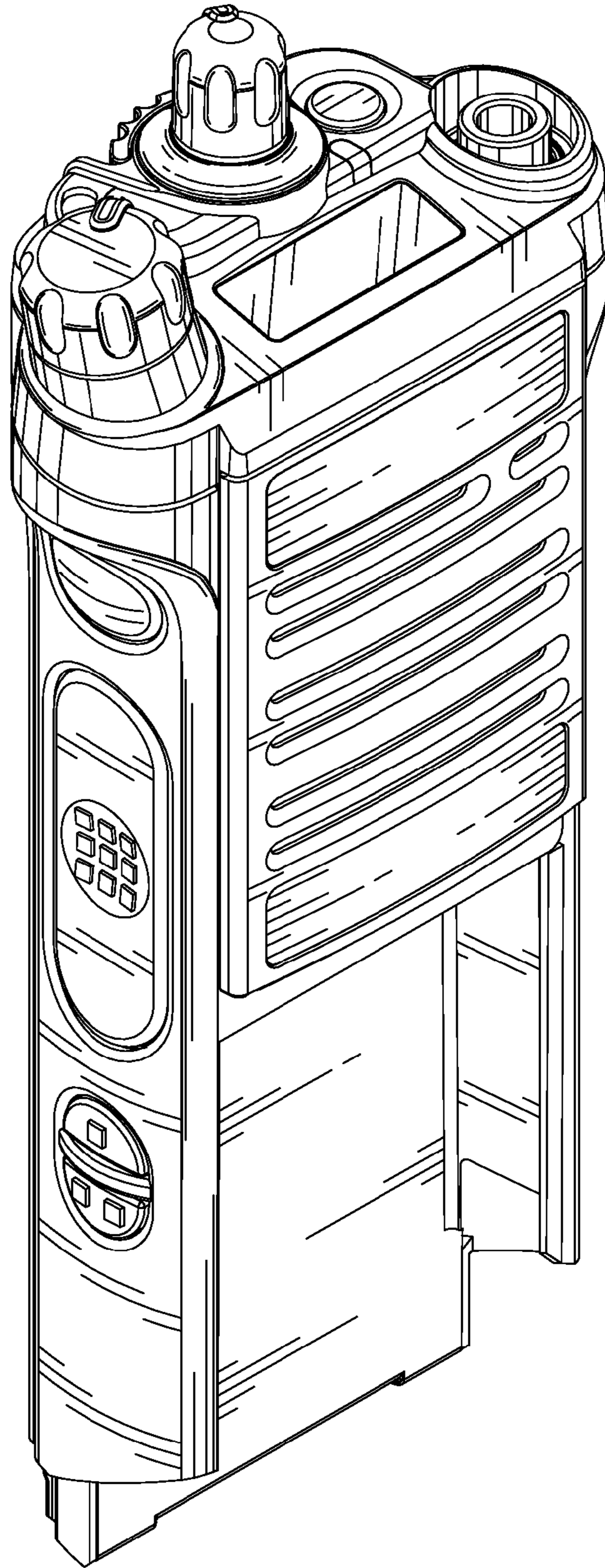


FIG. 10

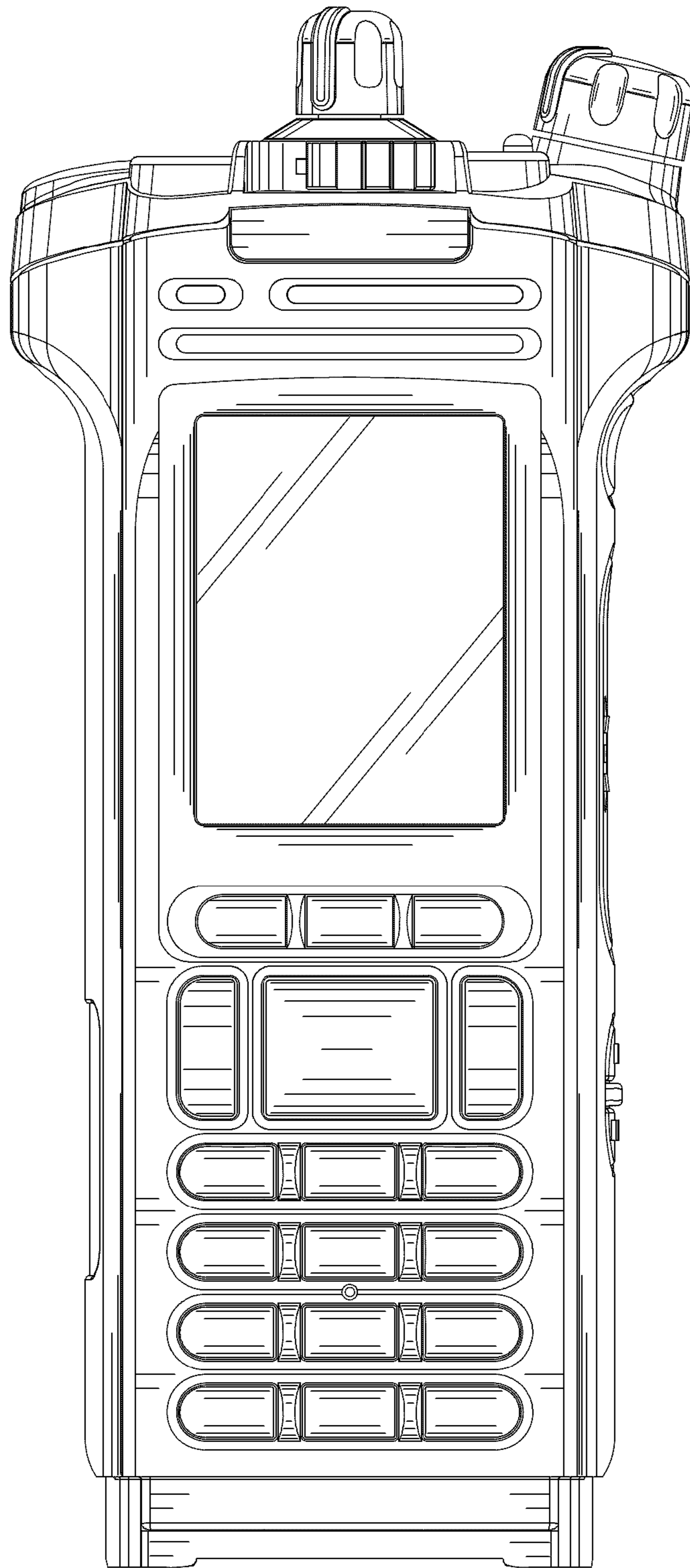


FIG. 11

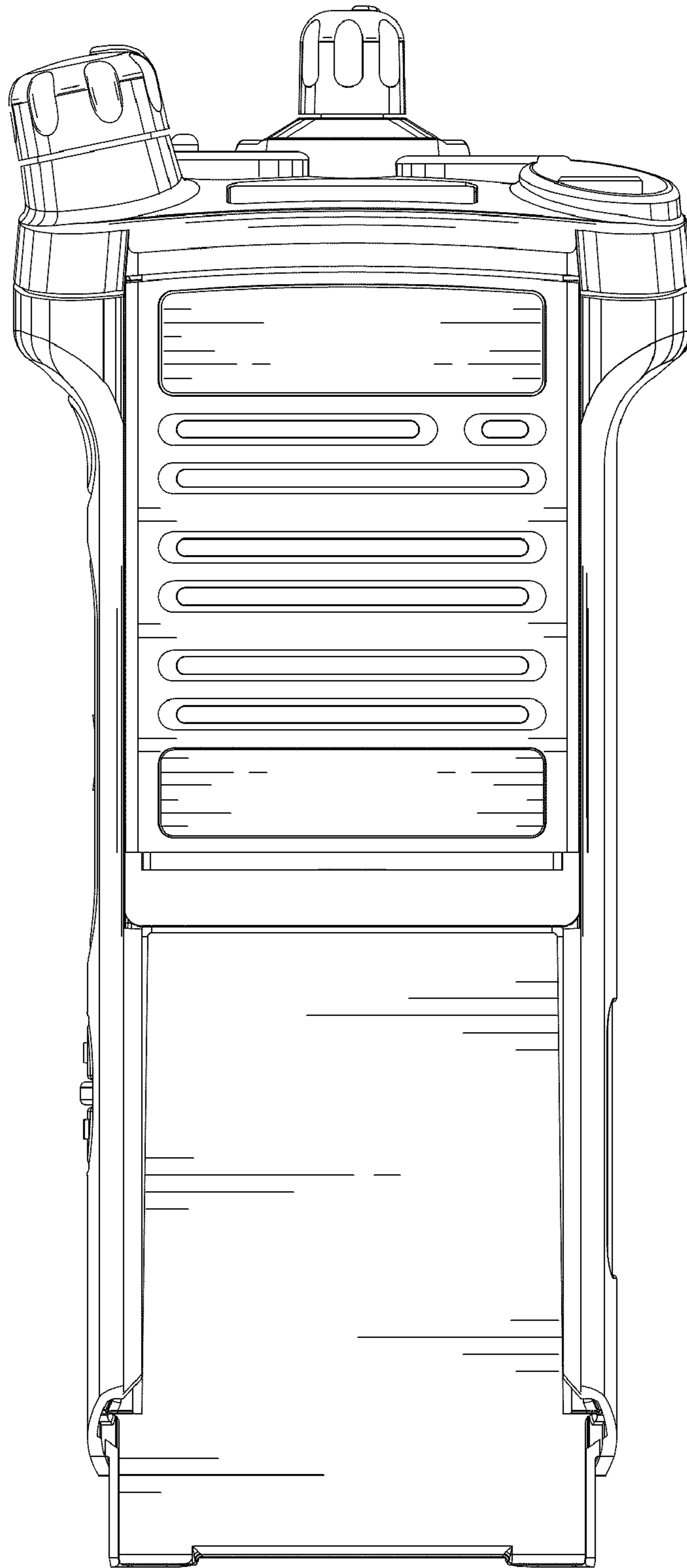


FIG. 12

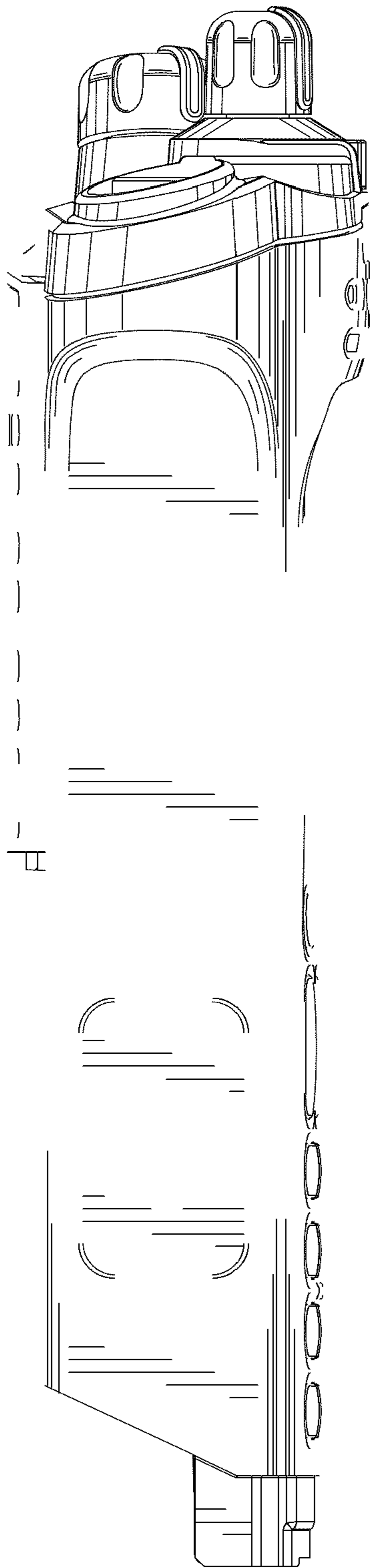


FIG. 13

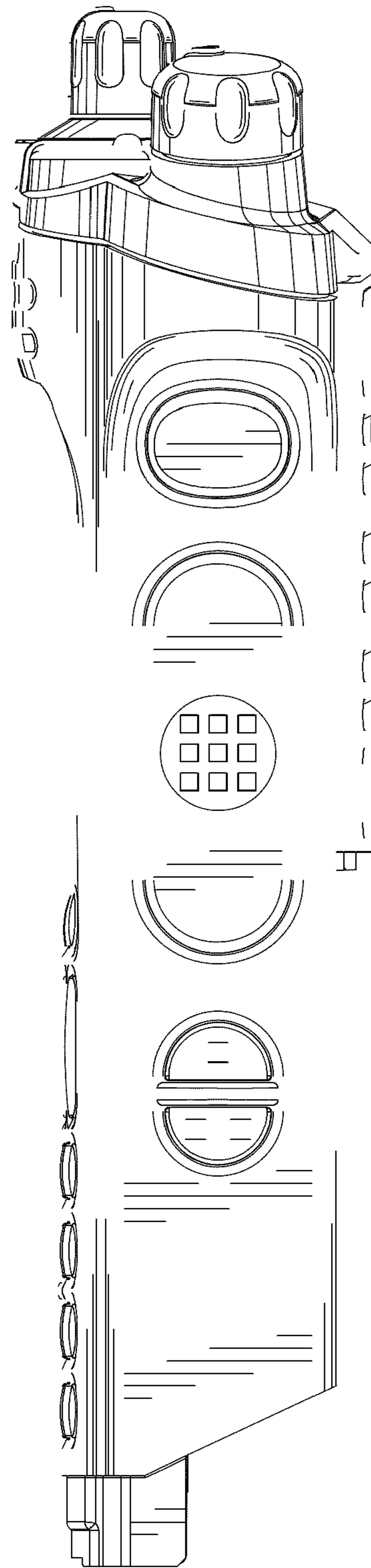


FIG. 14

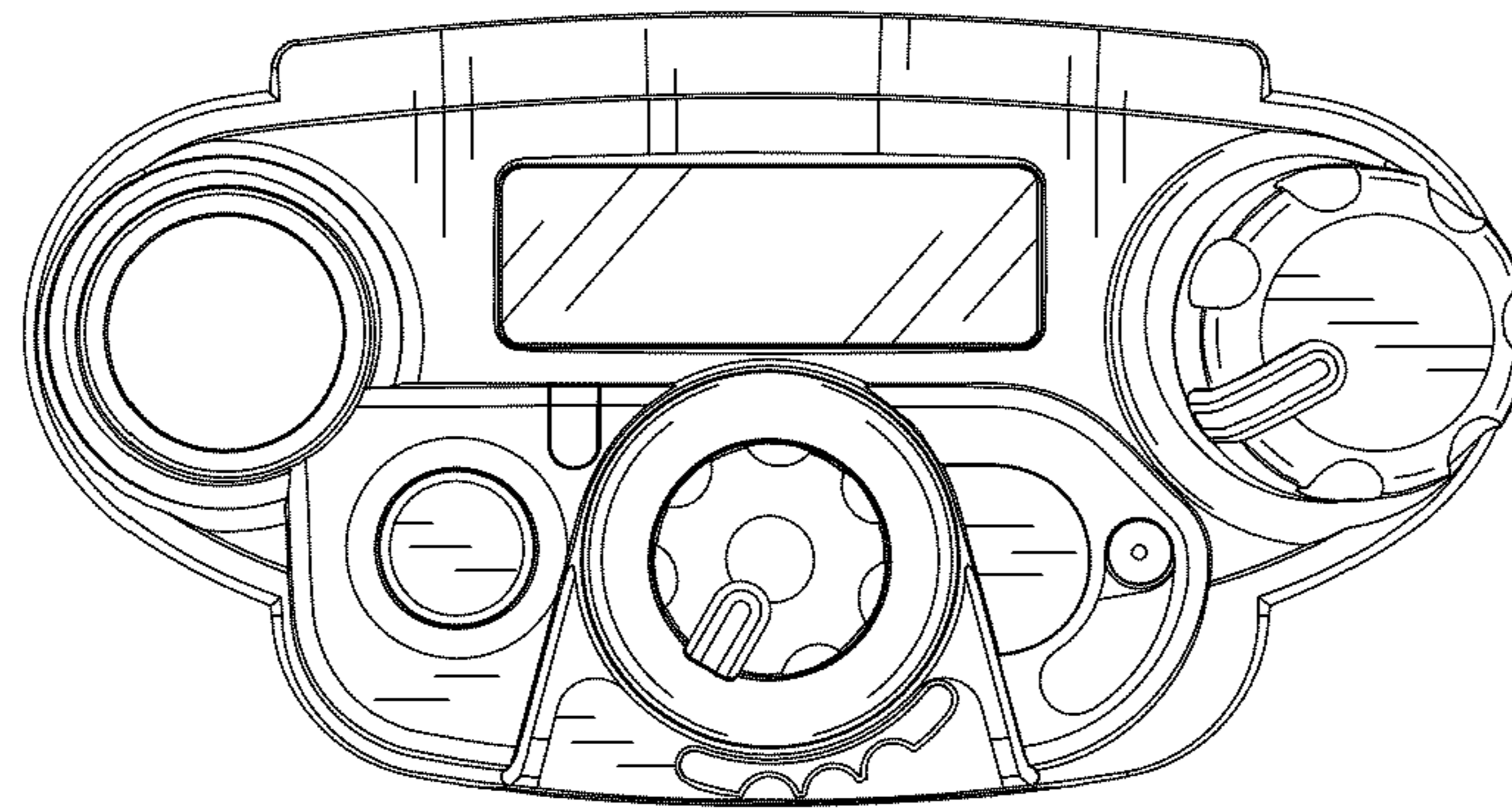


FIG. 15

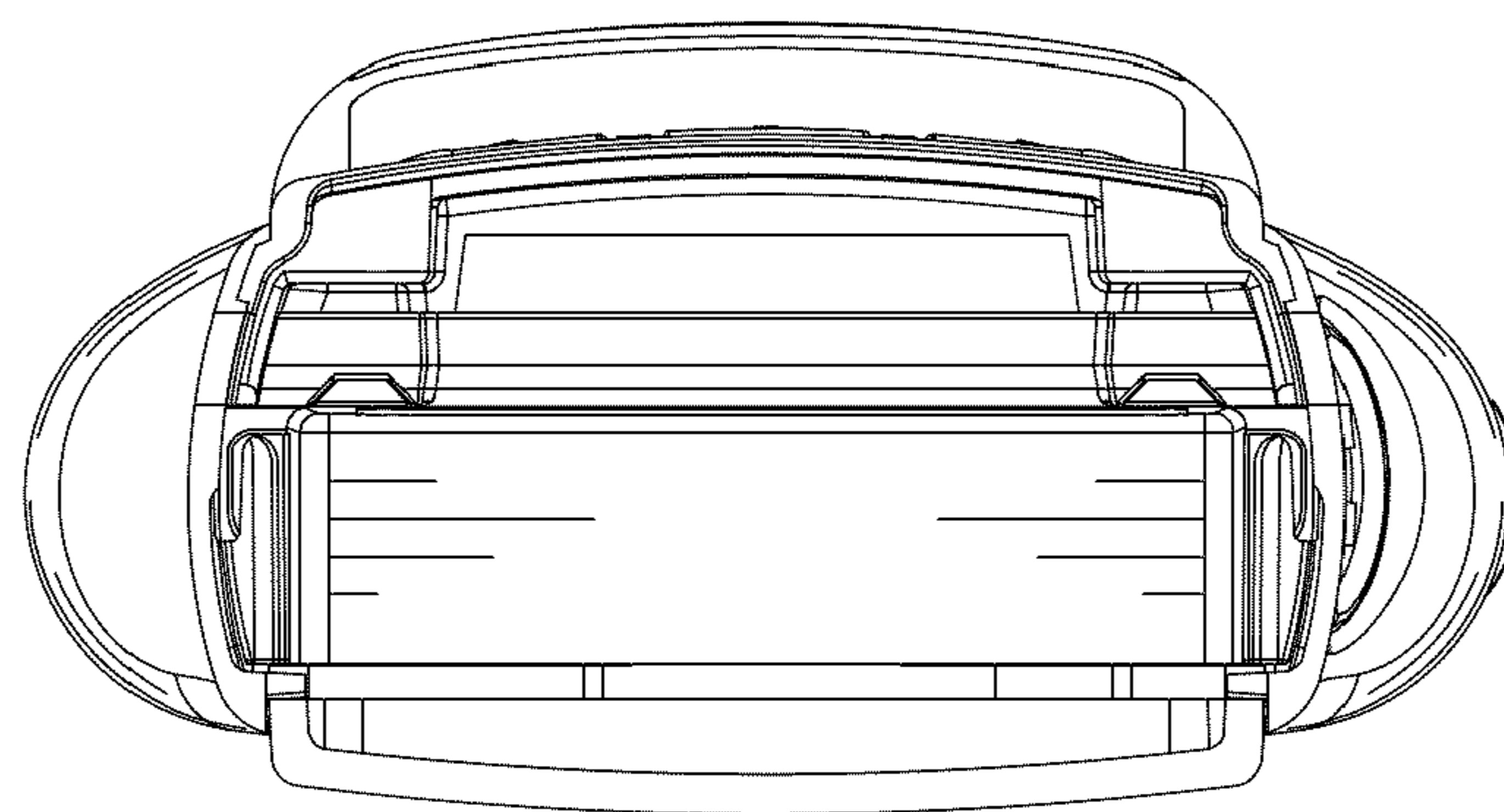


FIG. 16