



US00D564996S

(12) **United States Design Patent**
Uchiyama

(10) **Patent No.:** **US D564,996 S**
(45) **Date of Patent:** **** Mar. 25, 2008**

(54) **DISC PLAYER**

D506,734 S 6/2005 Oikawa
D506,984 S 7/2005 Oikawa
D519,092 S 4/2006 Tejima

(75) Inventor: **Jun Uchiyama**, Tokyo (JP)

* cited by examiner

(73) Assignee: **Sony Corporation**, Tokyo (JP)

Primary Examiner—Nanda Bondade
(74) *Attorney, Agent, or Firm*—Rader, Fishman & Grauer, PLLC

(**) Term: **14 Years**

(21) Appl. No.: **29/271,996**

(22) Filed: **Jan. 31, 2007**

(57) **CLAIM**

(51) **LOC (8) Cl.** **14-01**

The ornamental design for a disc player, as shown and described.

(52) **U.S. Cl.** **D14/136; D14/217**

(58) **Field of Classification Search** D14/135–136,
D14/156–157, 167–168, 198, 188, 217, 257,
D14/258, 445; 360/99.02, 99.07; 369/75.11,
369/75.21, 77.21, 77.11; 720/612, 619, 647,
720/655; 455/344, 347–351

See application file for complete search history.

DESCRIPTION

FIG. 1 is a perspective view of a disc player showing my new design;

FIG. 2 is a front elevational view thereof;

FIG. 3 is a left side elevational view thereof;

FIG. 4 is a right side elevational view thereof;

FIG. 5 is a top plan view thereof; and,

FIG. 6 is a bottom plan view thereof.

The portions indicated in broken lines are for illustrative purposes only and form no part of the claimed design.

(56) **References Cited**

U.S. PATENT DOCUMENTS

5,859,828 A * 1/1999 Ishibashi 720/655
D407,393 S 3/1999 Kazama
D423,006 S 4/2000 Matsuoka
D501,193 S * 1/2005 Tsuge D14/156
D506,457 S 6/2005 Hisatsune

1 Claim, 6 Drawing Sheets

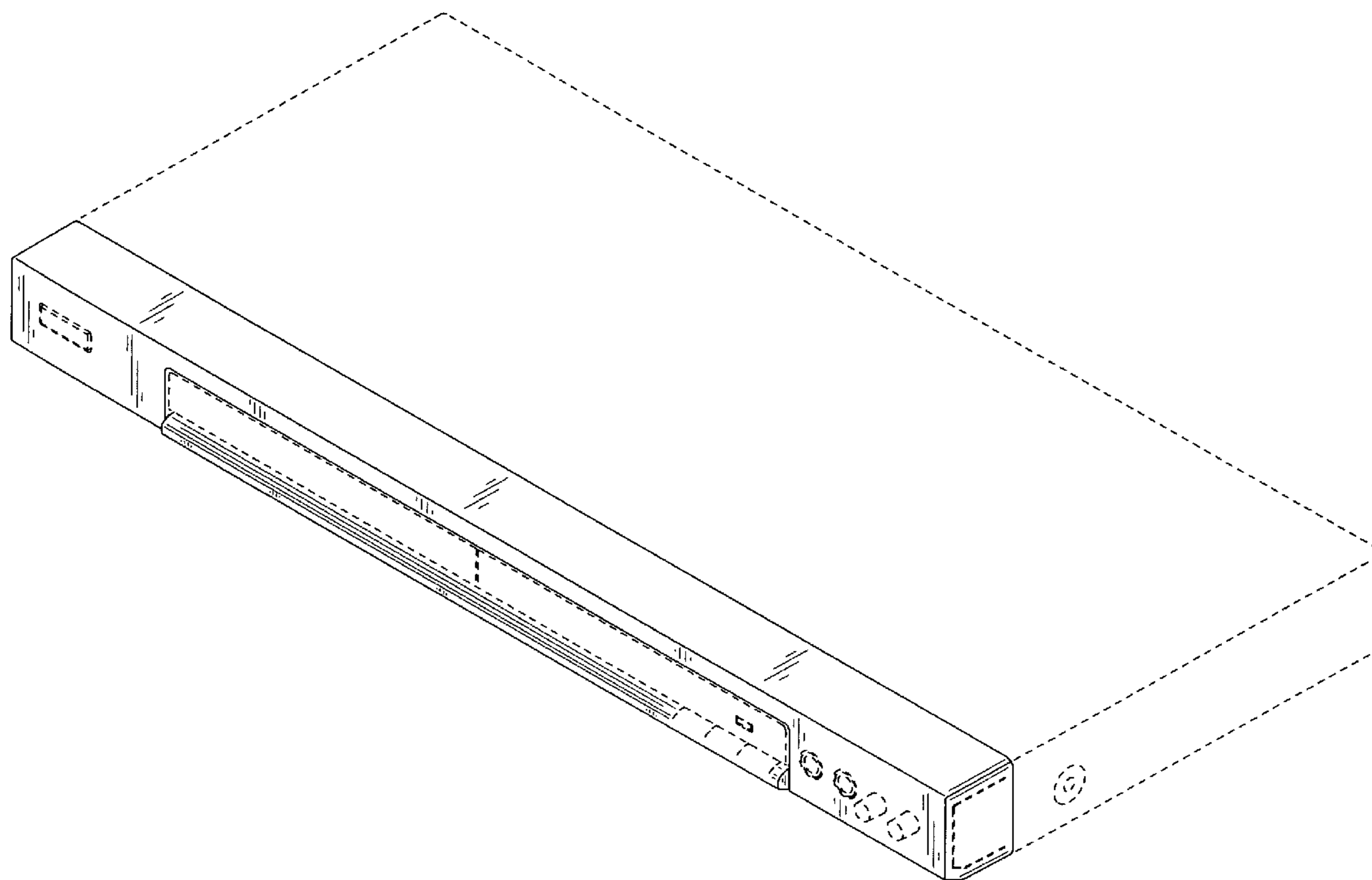


Fig.1

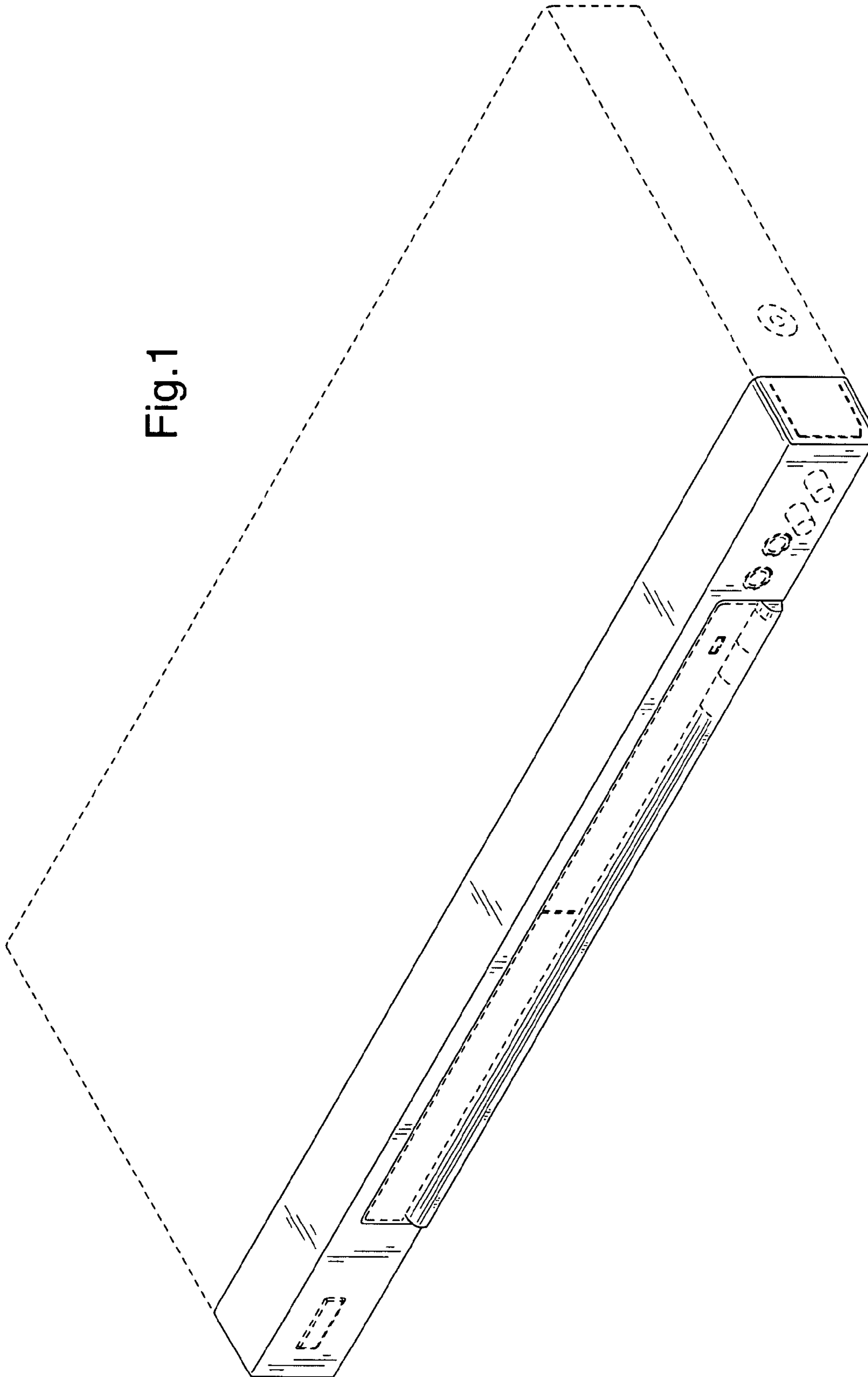


Fig.2

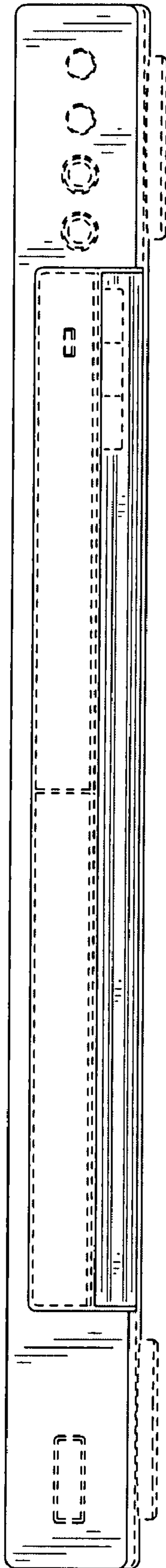


Fig. 3

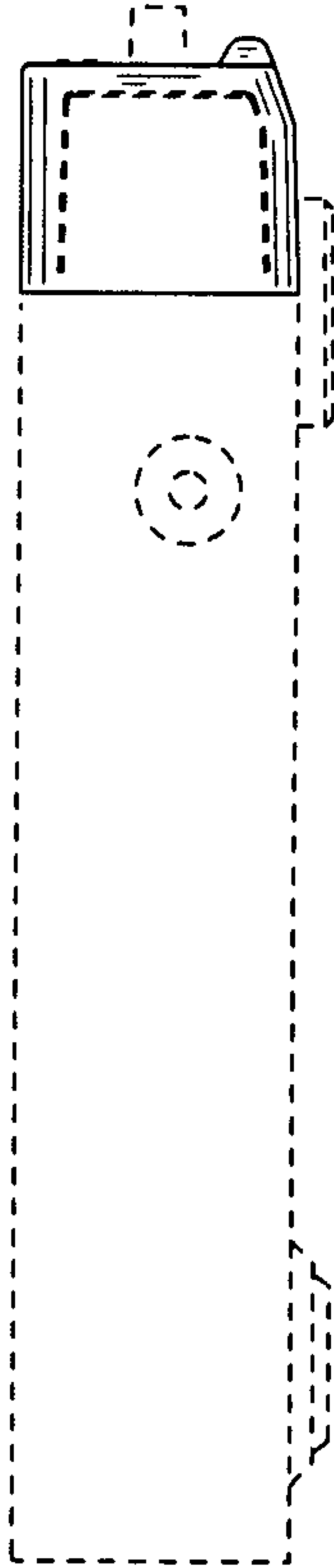


Fig. 4

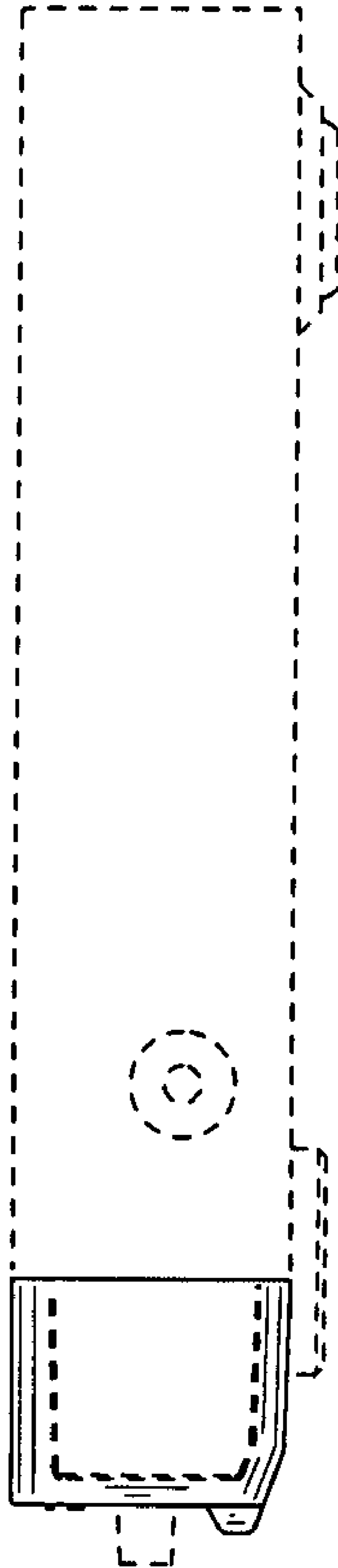


Fig.5

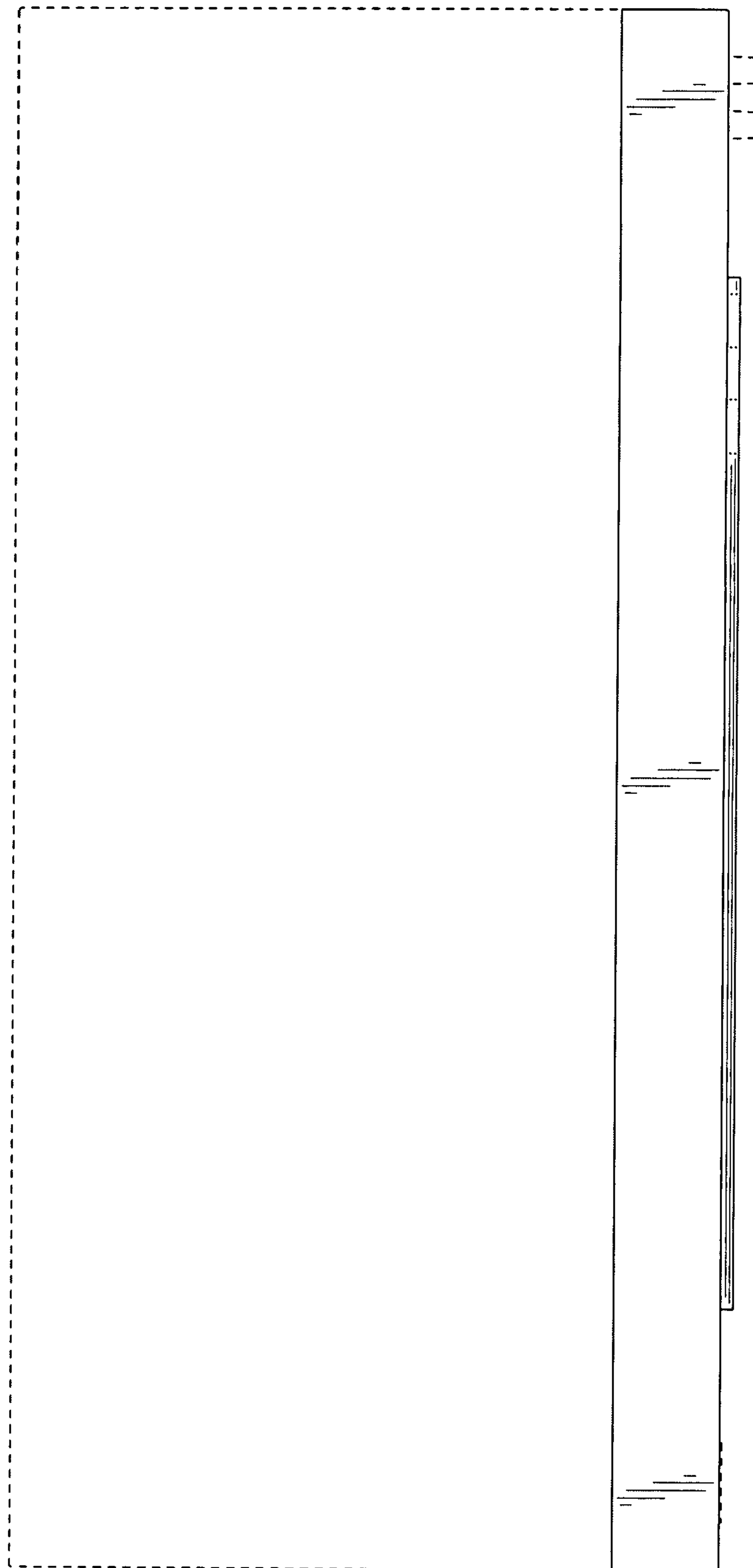


Fig.6

