



US00D564995S

(12) **United States Design Patent**
Gray

(10) **Patent No.:** **US D564,995 S**

(45) **Date of Patent:** **** Mar. 25, 2008**

(54) **FLIP DISPLAY**

(76) Inventor: **David C Gray**, 1415 Willow Park Way,
Cumming, GA (US) 30041

(**) Term: **14 Years**

(21) Appl. No.: **29/280,938**

(22) Filed: **Jun. 11, 2007**

(51) **LOC (8) Cl.** **14-03**

(52) **U.S. Cl.** **D14/132; D14/126**

(58) **Field of Classification Search** D14/125-134,
D14/239, 371, 136, 374-377; 312/7.2; 348/836,
348/838, 180, 184, 325, 739; 341/12; 248/917-924,
248/465; 345/104, 133, 156, 168, 87, 173;
720/605, 669, 600, 655; 369/99, 197; 455/344-347
See application file for complete search history.

(56) **References Cited**

U.S. PATENT DOCUMENTS

D437,837 S *	2/2001	Harrison et al.	D14/132
D496,013 S *	9/2004	Tanaka	D14/132
D517,029 S *	3/2006	Kawasaki	D14/129
D551,197 S *	9/2007	Vitito	D14/129
D554,086 S *	10/2007	Hsiung	D14/129
D556,161 S *	11/2007	Hsiung	D14/129
2006/0050473 A1 *	3/2006	Zheng	361/681

* cited by examiner

Primary Examiner—Raphael Barkai

(74) *Attorney, Agent, or Firm*—Smith Frohwein Tempel
Greenlee Blaha, LLC; Gregory Scott Smith

(57) **CLAIM**

The ornamental design for a flip display, as shown and
described.

DESCRIPTION

Two configurations of the invention are illustrated. The first
configuration is the deployed state of the flip display. The
second configuration is the stored state of the flip display.

FIG. 1 is a perspective view of the flip display shown in a
deployed state.

FIG. 2 is a right-side view of the flip display of FIG. 1.

FIG. 3 is a left-side view of the flip display of FIG. 1.

FIG. 4 is a frontal view of the flip display of FIG. 1.

FIG. 5 is a top view of the flip display of FIG. 1.

FIG. 6 is a perspective view of the flip display shown in a
stored state.

FIG. 7 is a right-side view of the flip display of FIG. 6.

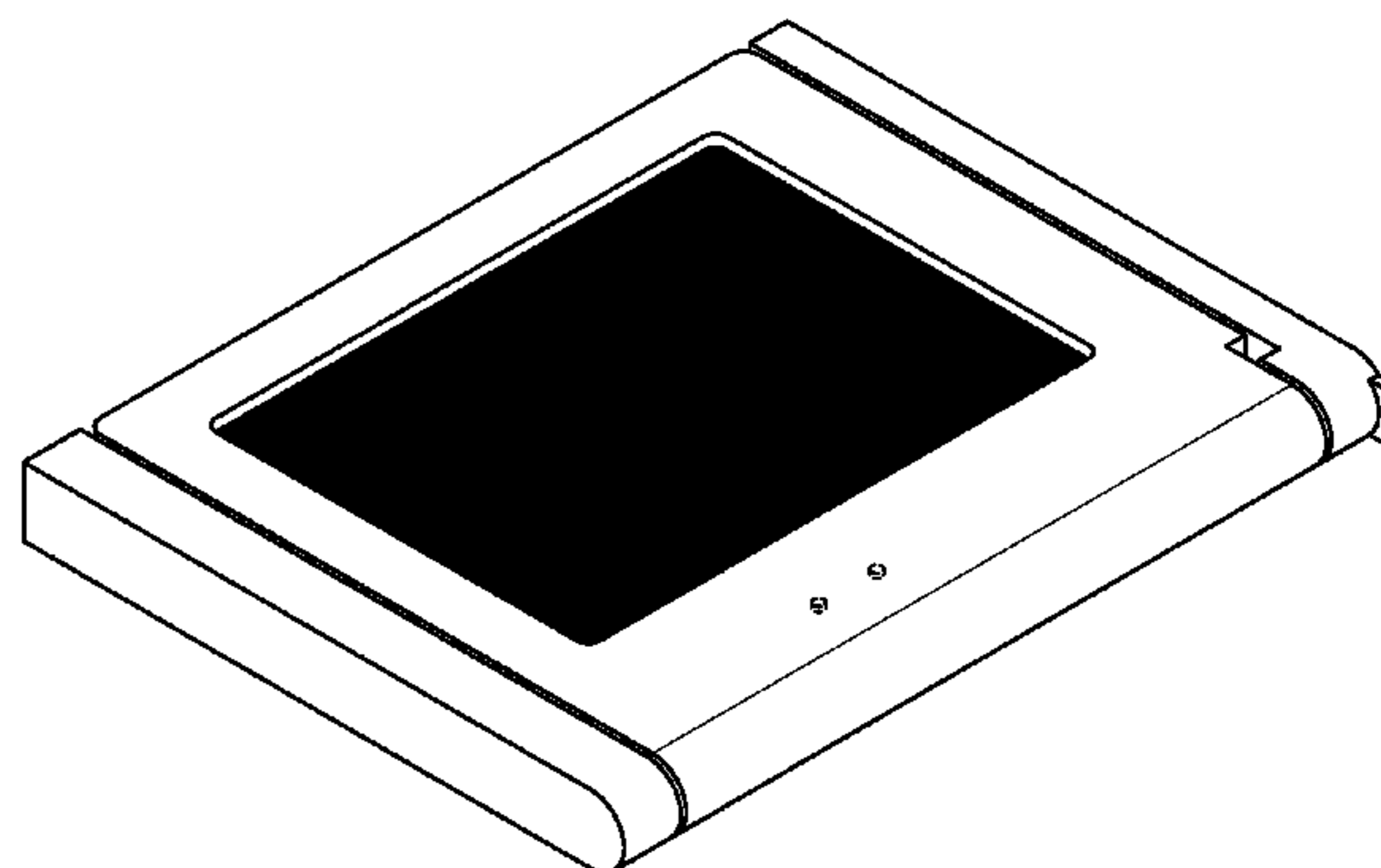
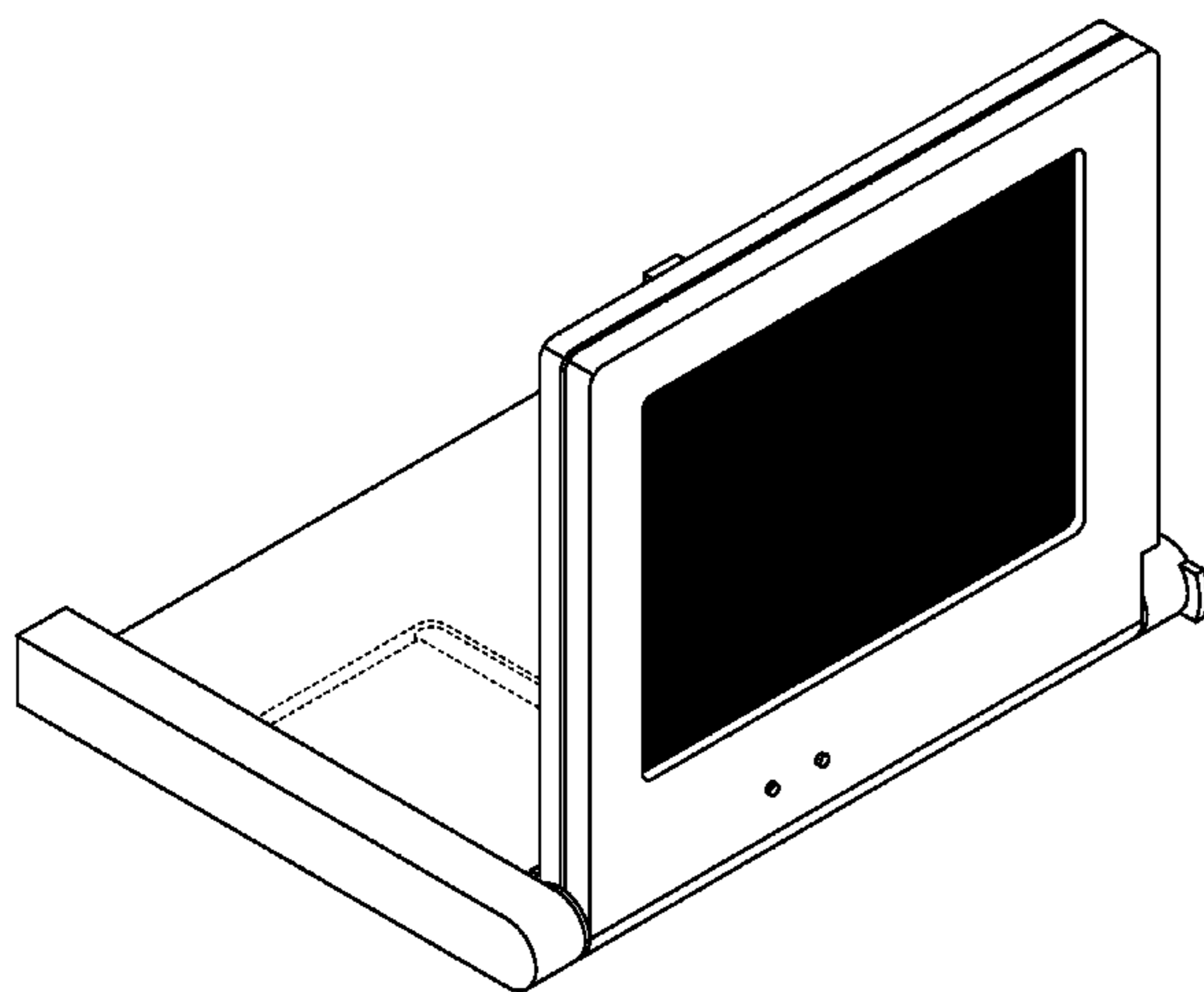
FIG. 8 is a left-side view of the flip display of FIG. 6.

FIG. 9 is a frontal view of the flip display of FIG. 6; and,

FIG. 10 is a top view of the flip display of FIG. 6.

The broken lines shown are for illustrative purposes only
and form no part of the claimed design.

1 Claim, 4 Drawing Sheets



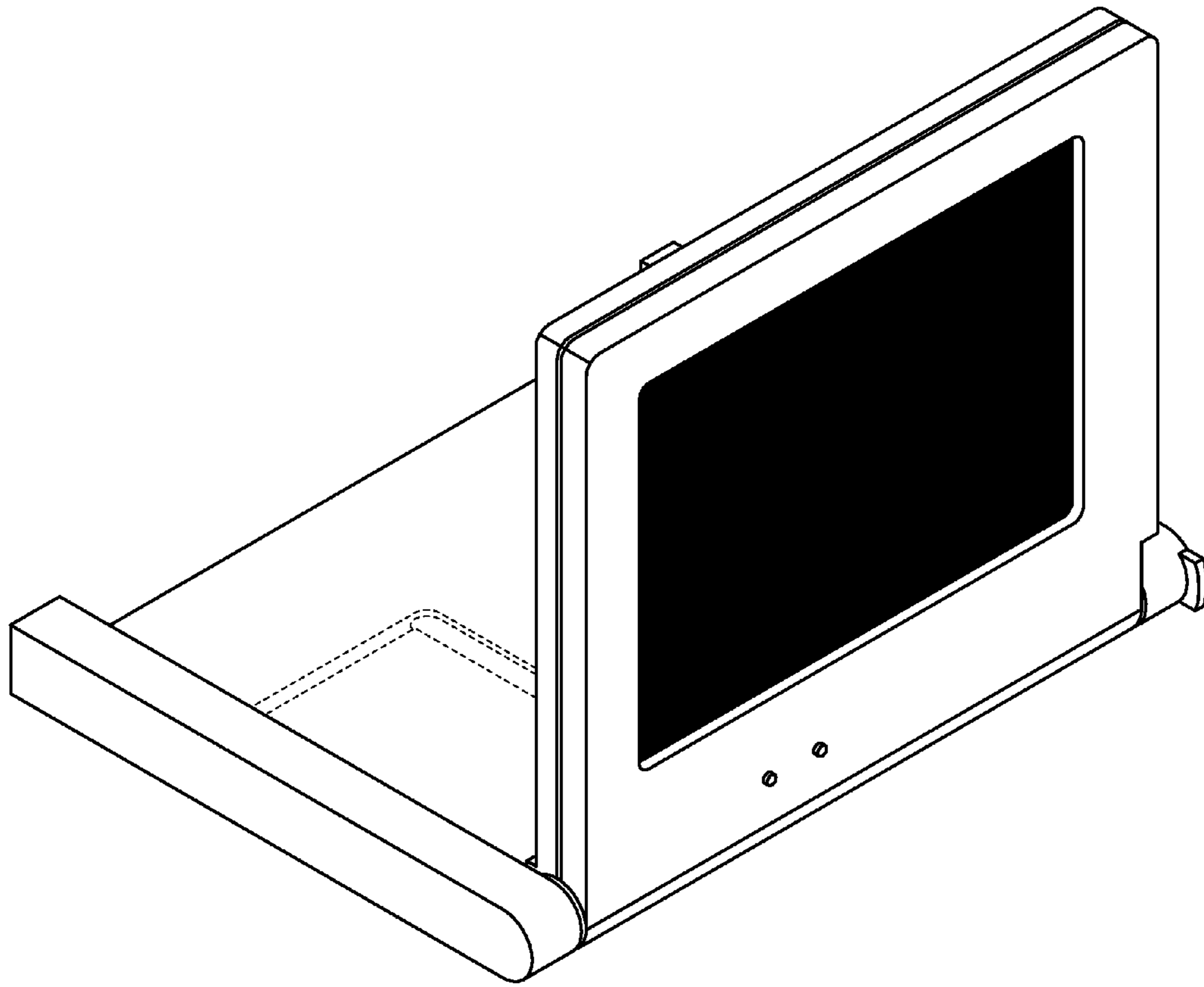


FIG. 1

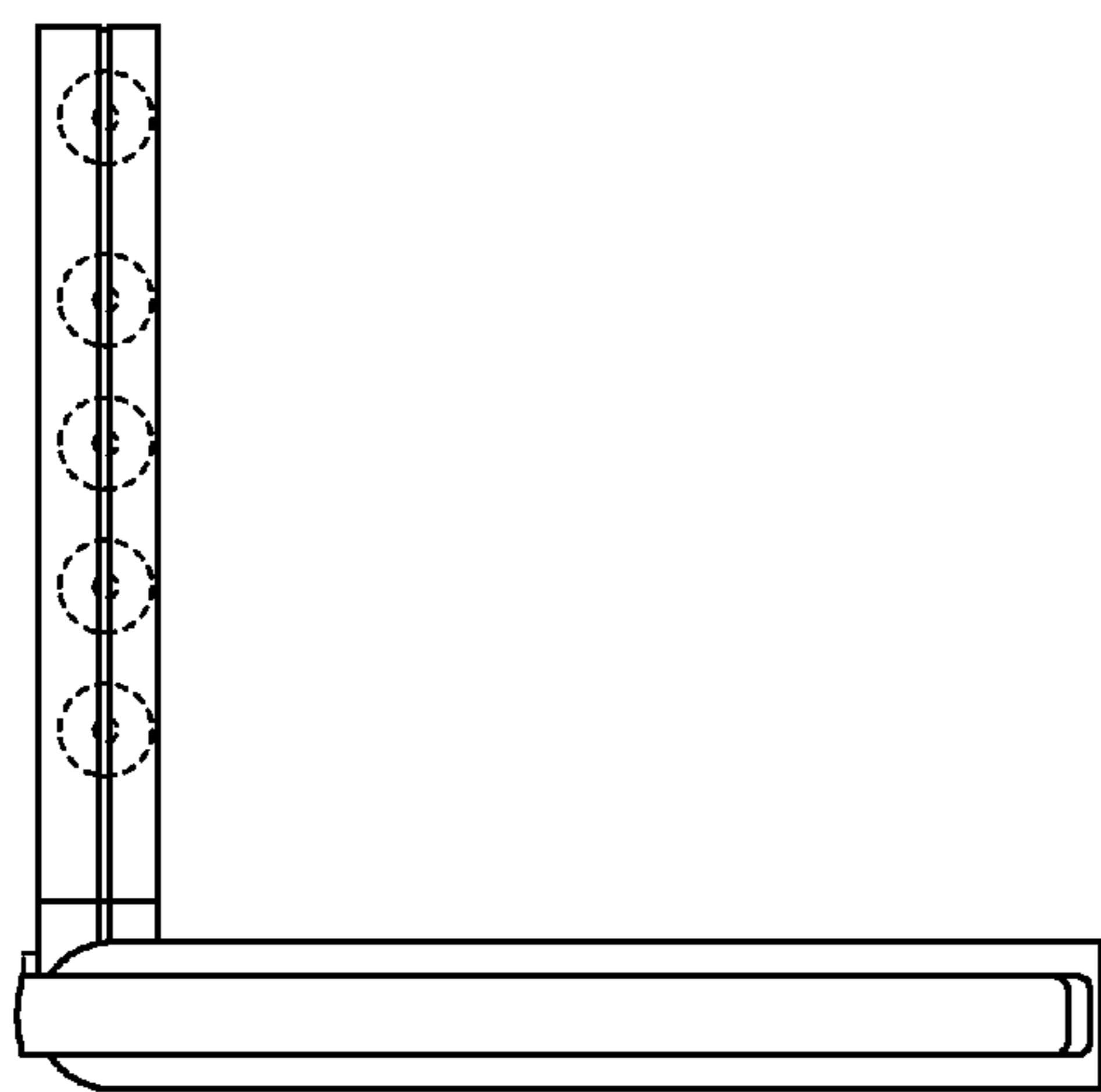


FIG. 2

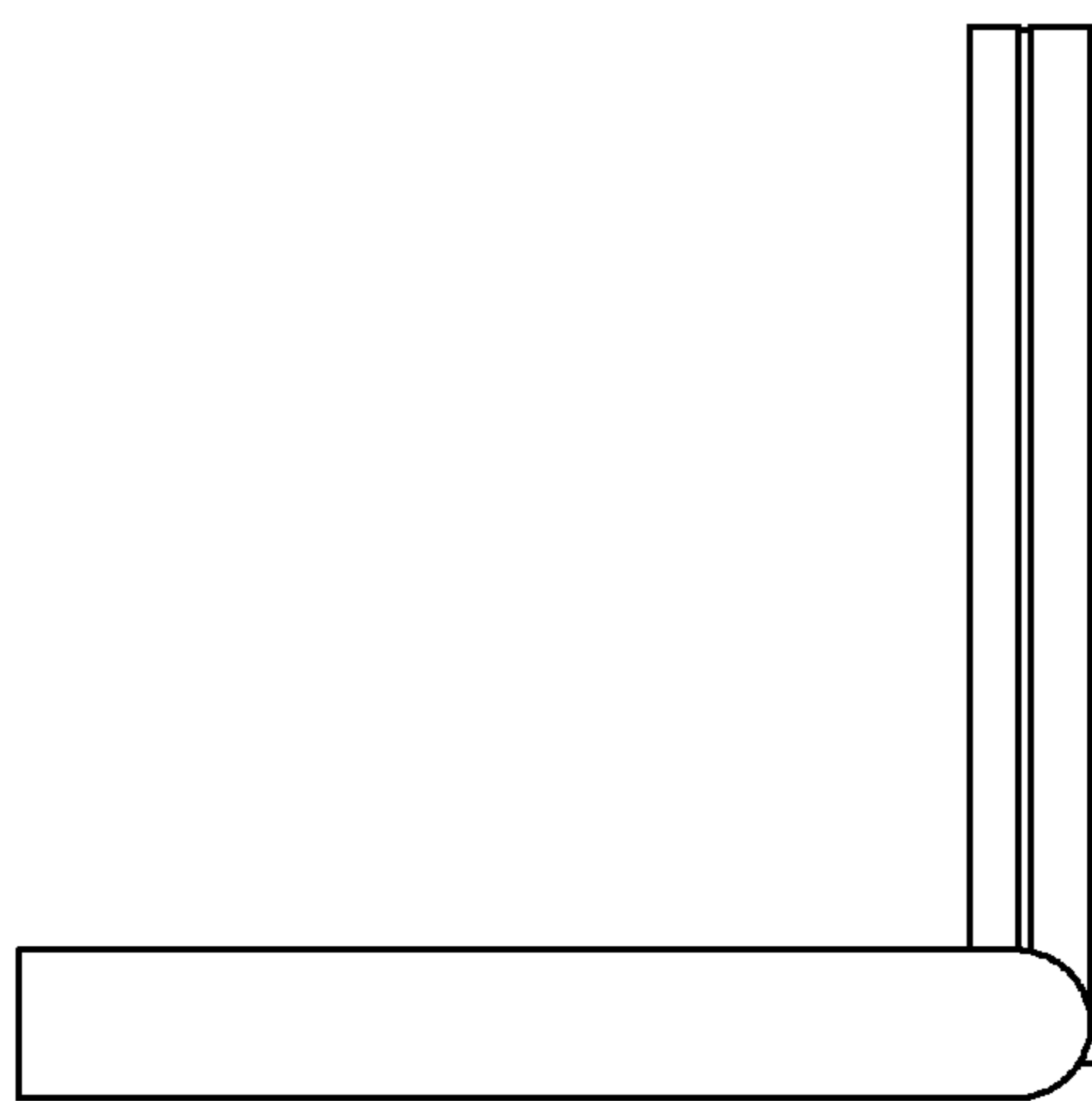


FIG. 3

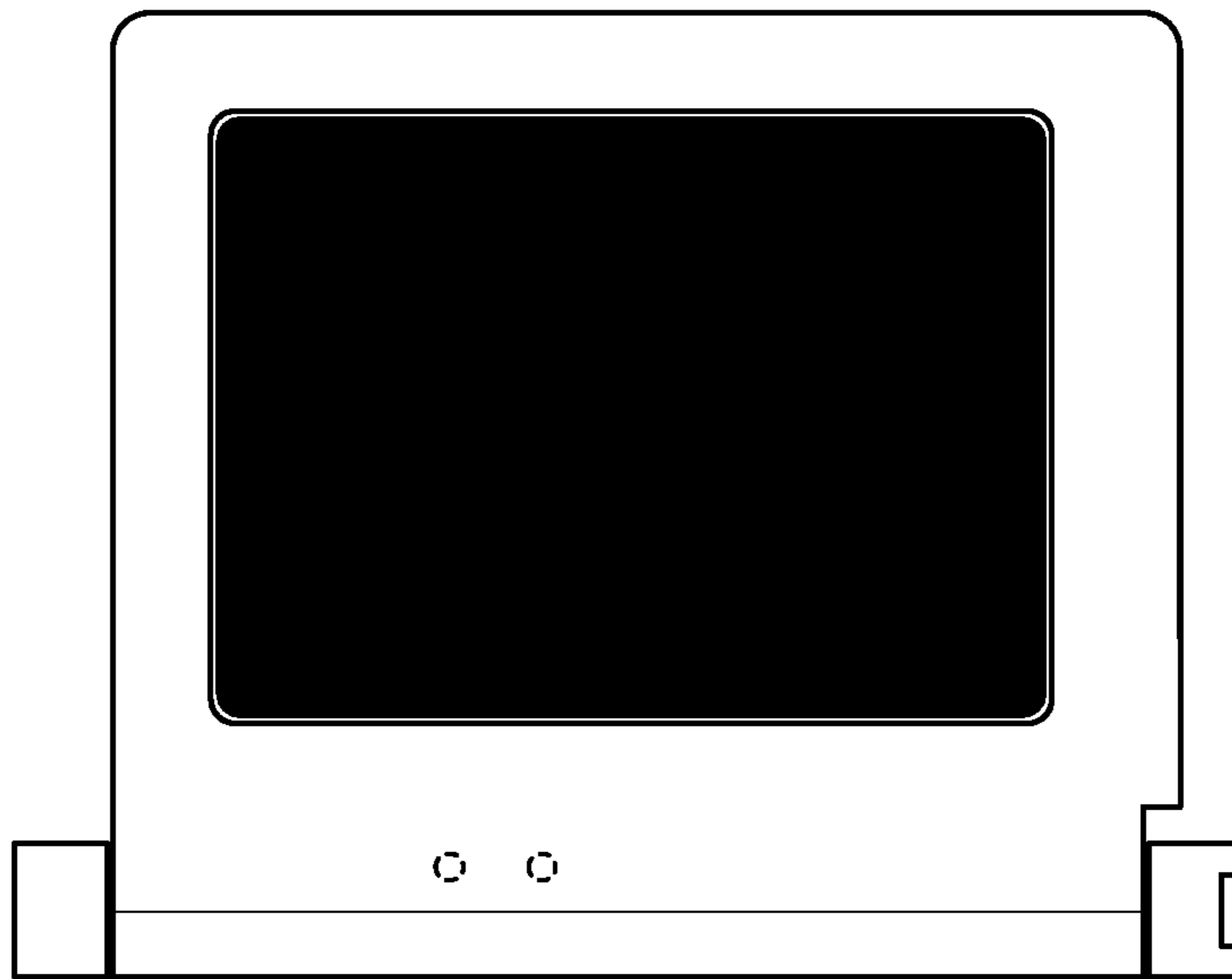


FIG. 4

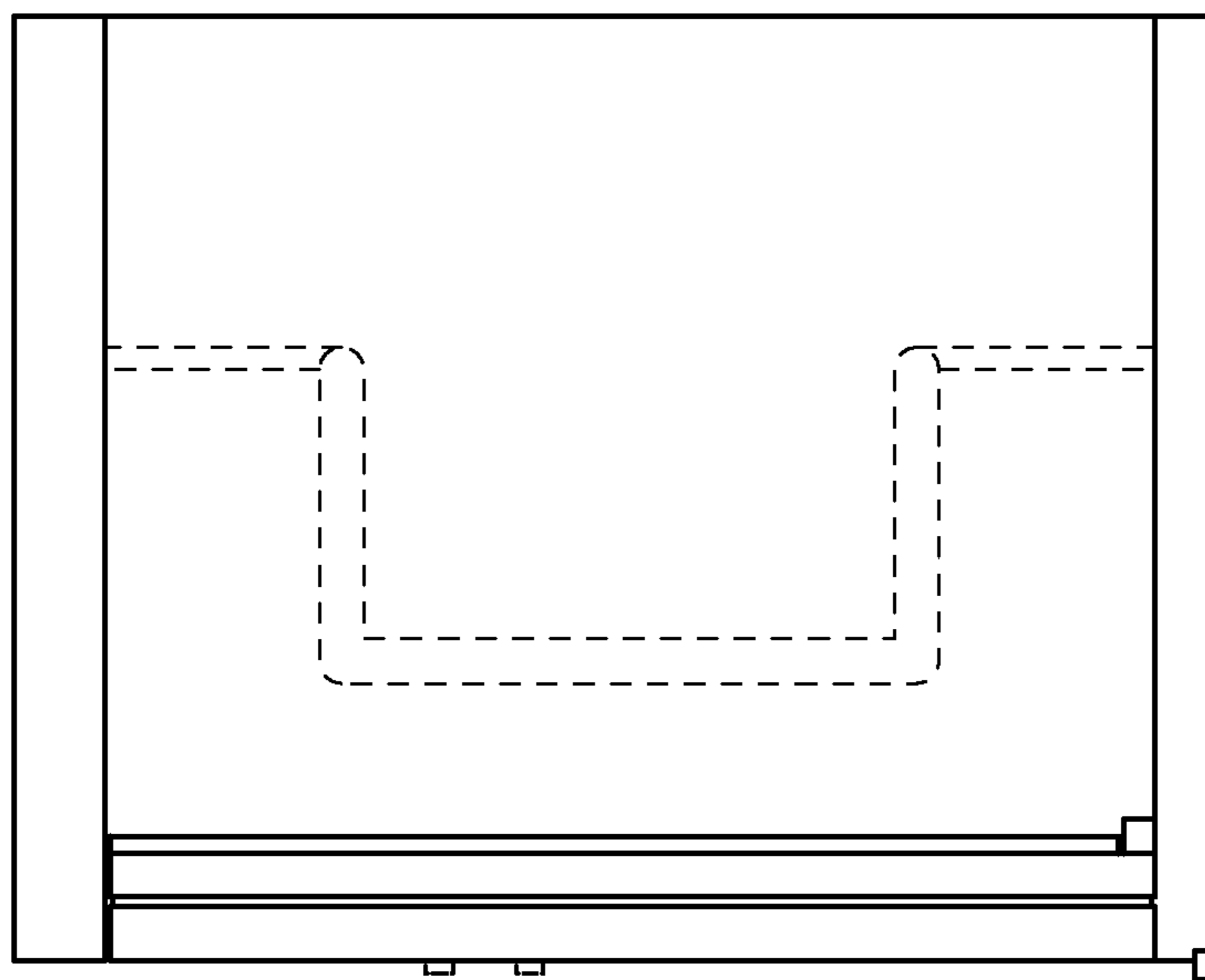


FIG. 5

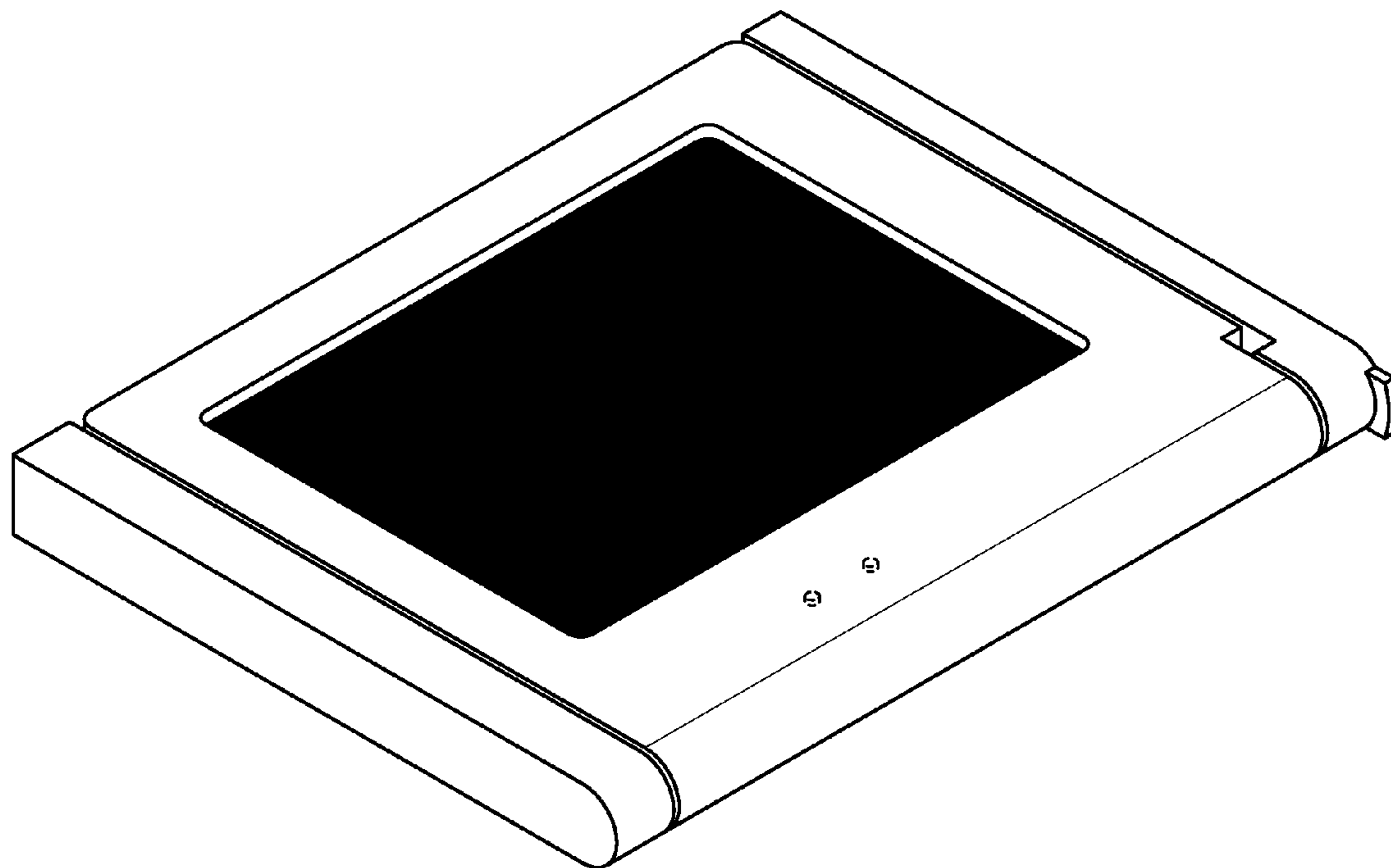


FIG. 6

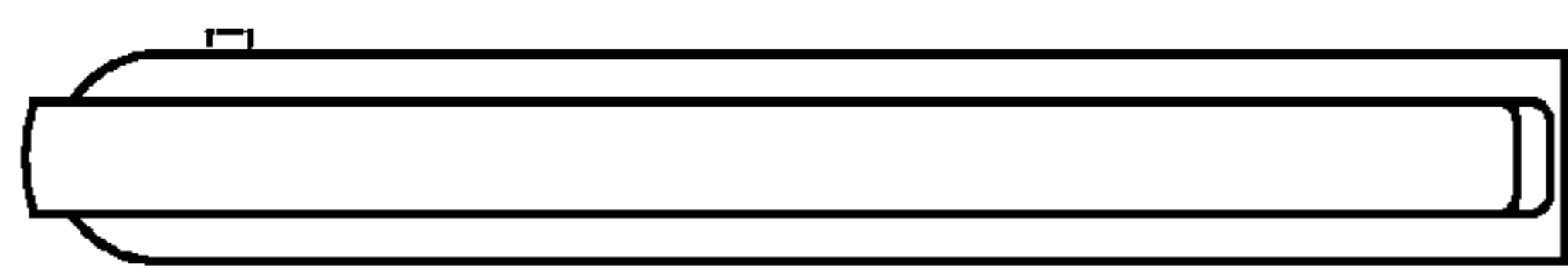


FIG. 7

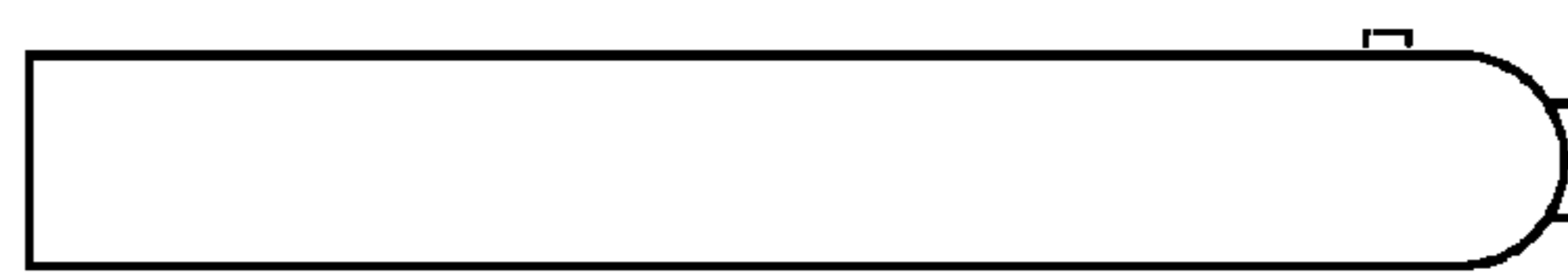


FIG. 8

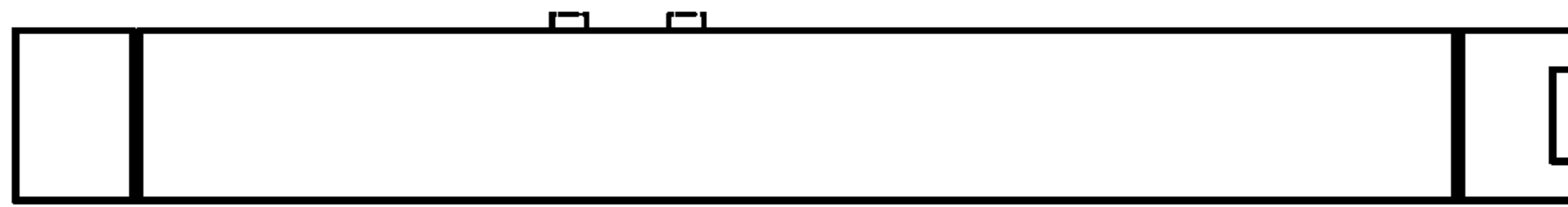


FIG. 9

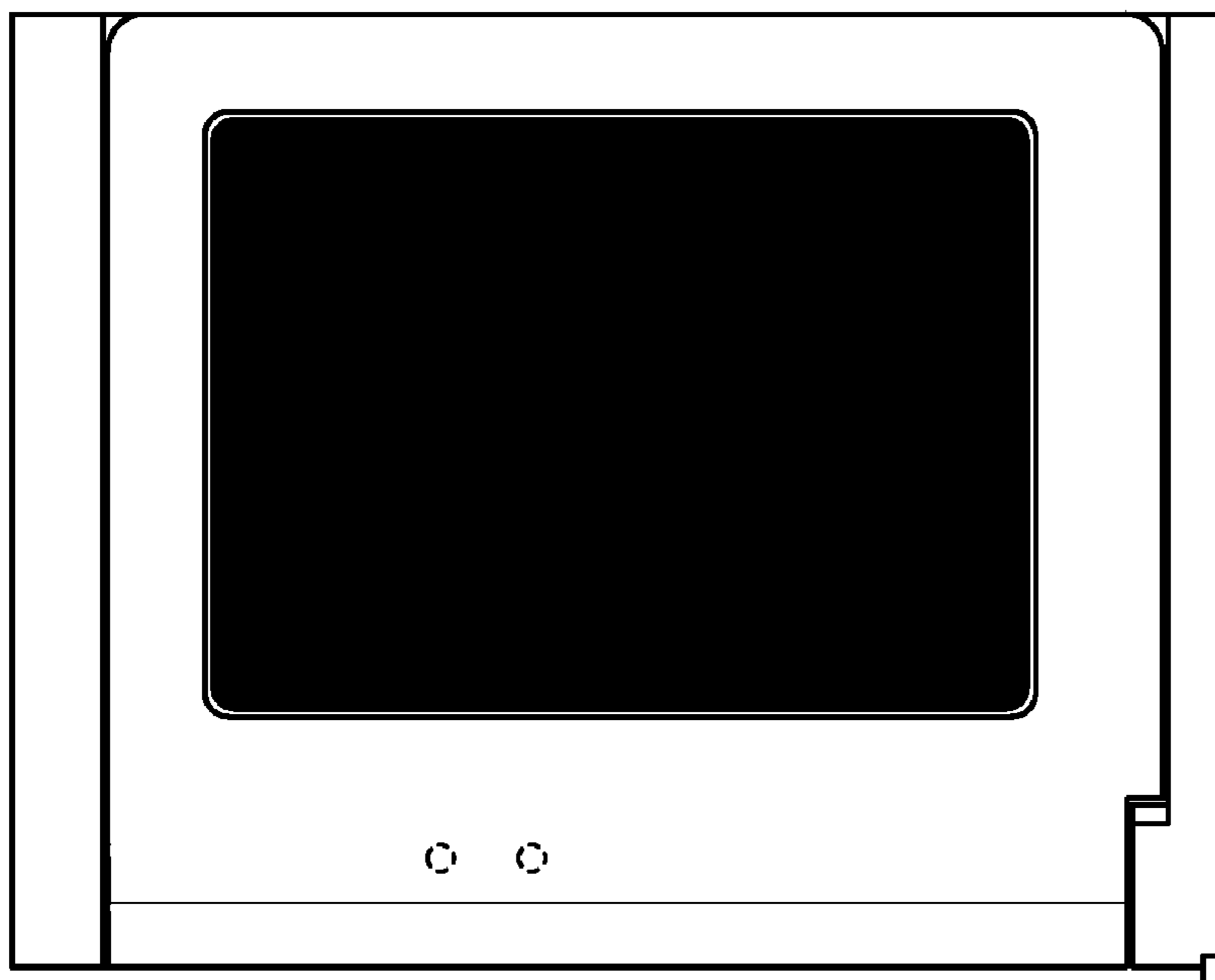


FIG. 10