



US00D564994S

(12) **United States Design Patent**
Yamaguchi

(10) **Patent No.:** **US D564,994 S**

(45) **Date of Patent:** **** Mar. 25, 2008**

(54) **TELEVISION SET**

(75) Inventor: **Takahiro Yamaguchi**, Chiyoda-ku (JP)

(73) Assignee: **Mitsubishi Electric Corporation**,
Tokyo (JP)

(**) Term: **14 Years**

(21) Appl. No.: **29/287,287**

(22) Filed: **Jul. 19, 2007**

(30) **Foreign Application Priority Data**

Apr. 11, 2007 (JP) 2007-009671

(51) **LOC (8) Cl.** **14-03**

(52) **U.S. Cl.** **D14/126**

(58) **Field of Classification Search** D14/125–134,
D14/239, 371, 136, 374–377; 312/7.2; 348/836,
348/838, 180, 184, 325, 739; 341/12; 248/917–924,
248/465; 345/104, 133, 156, 168, 87, 173;
720/605, 669, 600, 655; 369/99, 197; 455/344–347
See application file for complete search history.

(56) **References Cited**

U.S. PATENT DOCUMENTS

- D416,549 S * 11/1999 Coster et al. D14/375
- D457,504 S * 5/2002 Horii et al. D14/126
- D534,138 S * 12/2006 Lee et al. D14/126
- D539,242 S * 3/2007 Lee et al. D14/126
- D541,767 S * 5/2007 Totsuka et al. D14/126
- D546,299 S * 7/2007 Honda et al. D14/126
- D548,708 S * 8/2007 Park et al. D14/126

- D551,194 S * 9/2007 Kim et al. D14/128
- D552,050 S * 10/2007 Fujii et al. D14/126

* cited by examiner

Primary Examiner—Raphael Barkai

(74) *Attorney, Agent, or Firm*—Sughrue Mion, PLLC

(57) **CLAIM**

The ornamental design for a television set, as shown and described.

DESCRIPTION

FIG. 1 is a front, top and right side perspective view of an television set, showing our new design;

FIG. 2 is a rear, top and left side perspective view of an television set, showing our new design;

FIG. 3 is a front elevational view thereof;

FIG. 4 is a rear elevational view thereof;

FIG. 5 is a top plan view thereof;

FIG. 6 is a bottom plan view thereof;

FIG. 7 is a left side elevational view thereof;

FIG. 8 is a right side elevational view thereof;

FIG. 9 is an enlarged cross-sectional view thereof; taken along line 9—9 of FIG. 3, with the internal system omitted; and,

FIG. 10 is a front elevational reference view with the light-transmitting portion drawn by oblique lines.

1 Claim, 4 Drawing Sheets

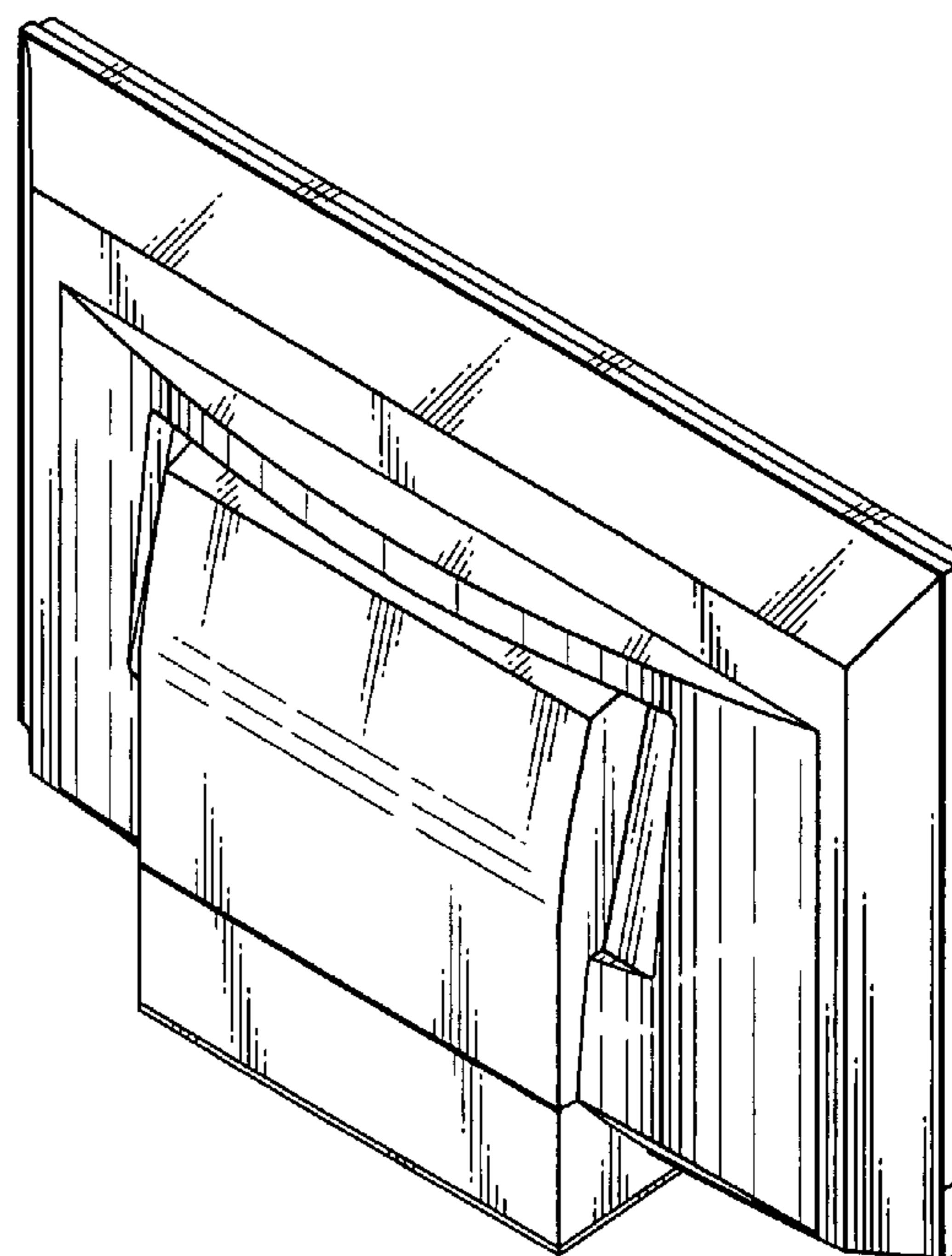
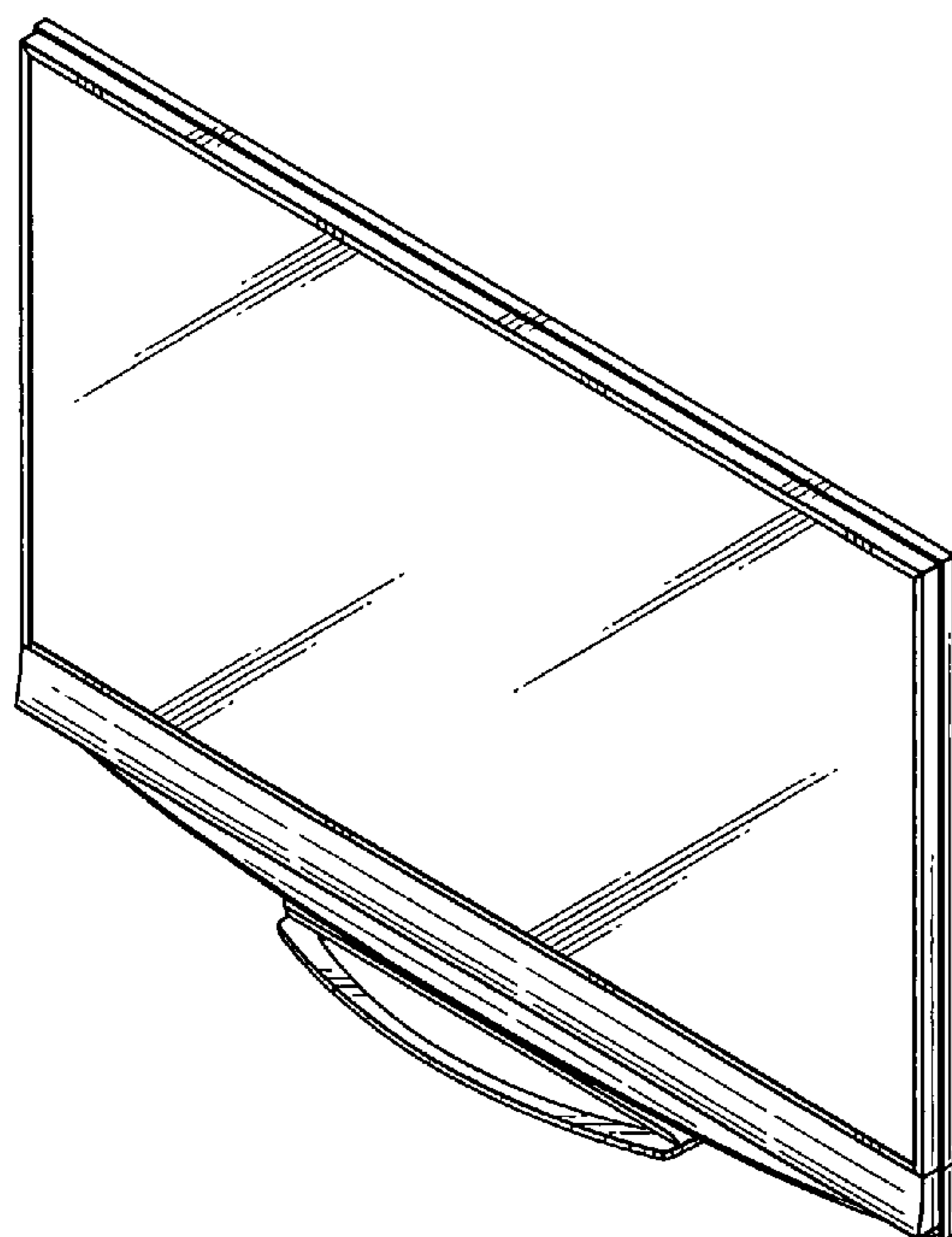


FIG.1

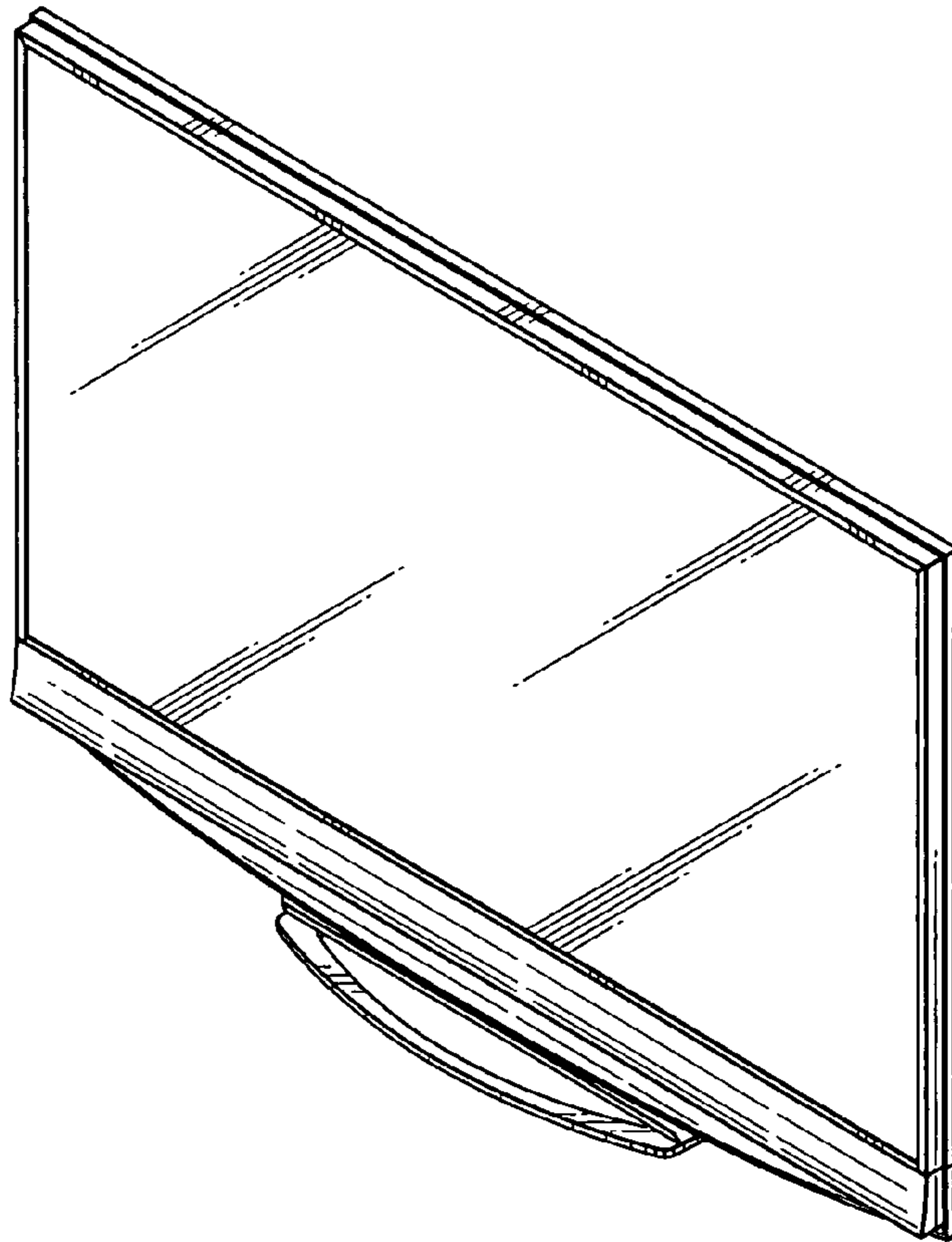


FIG.2

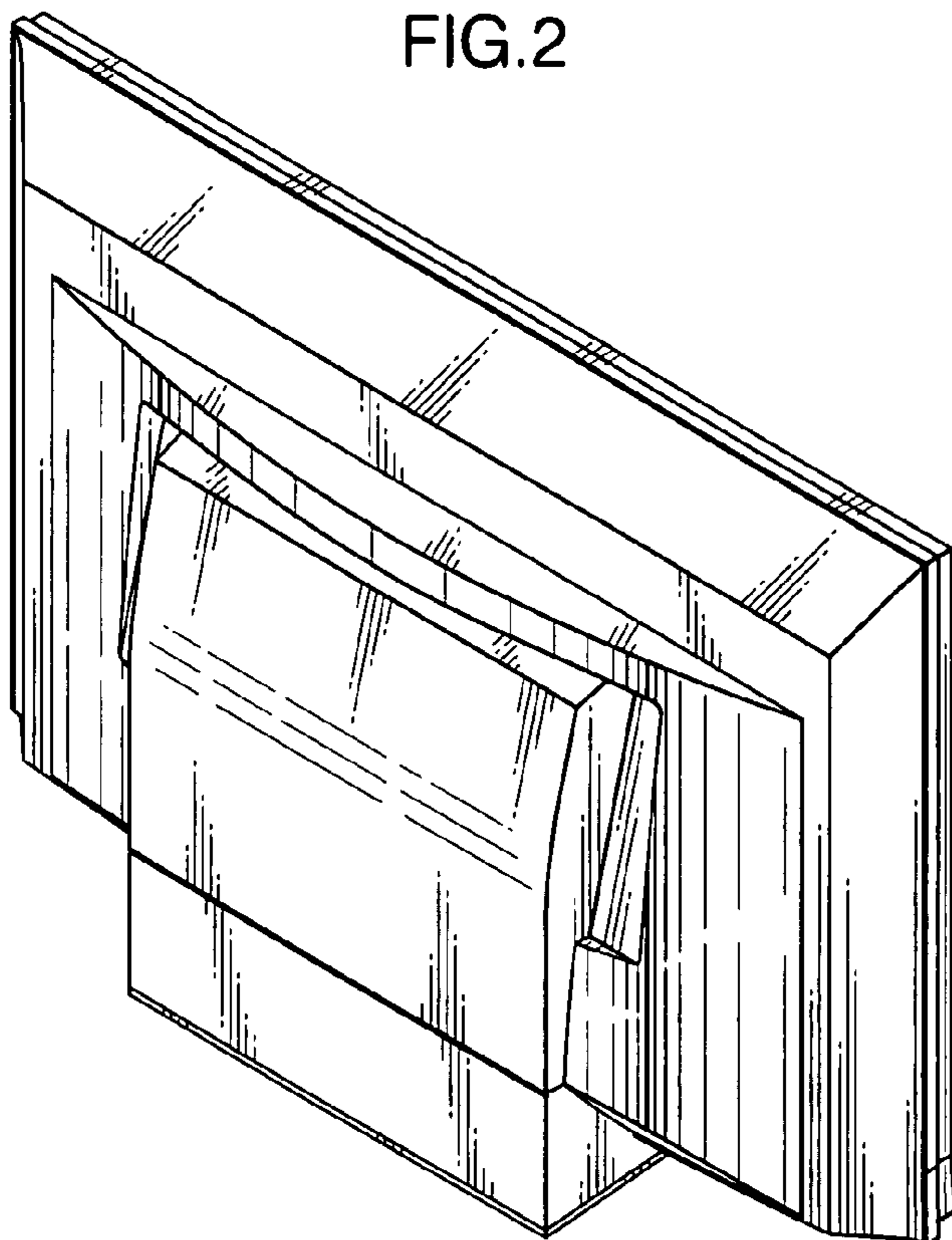


FIG.3

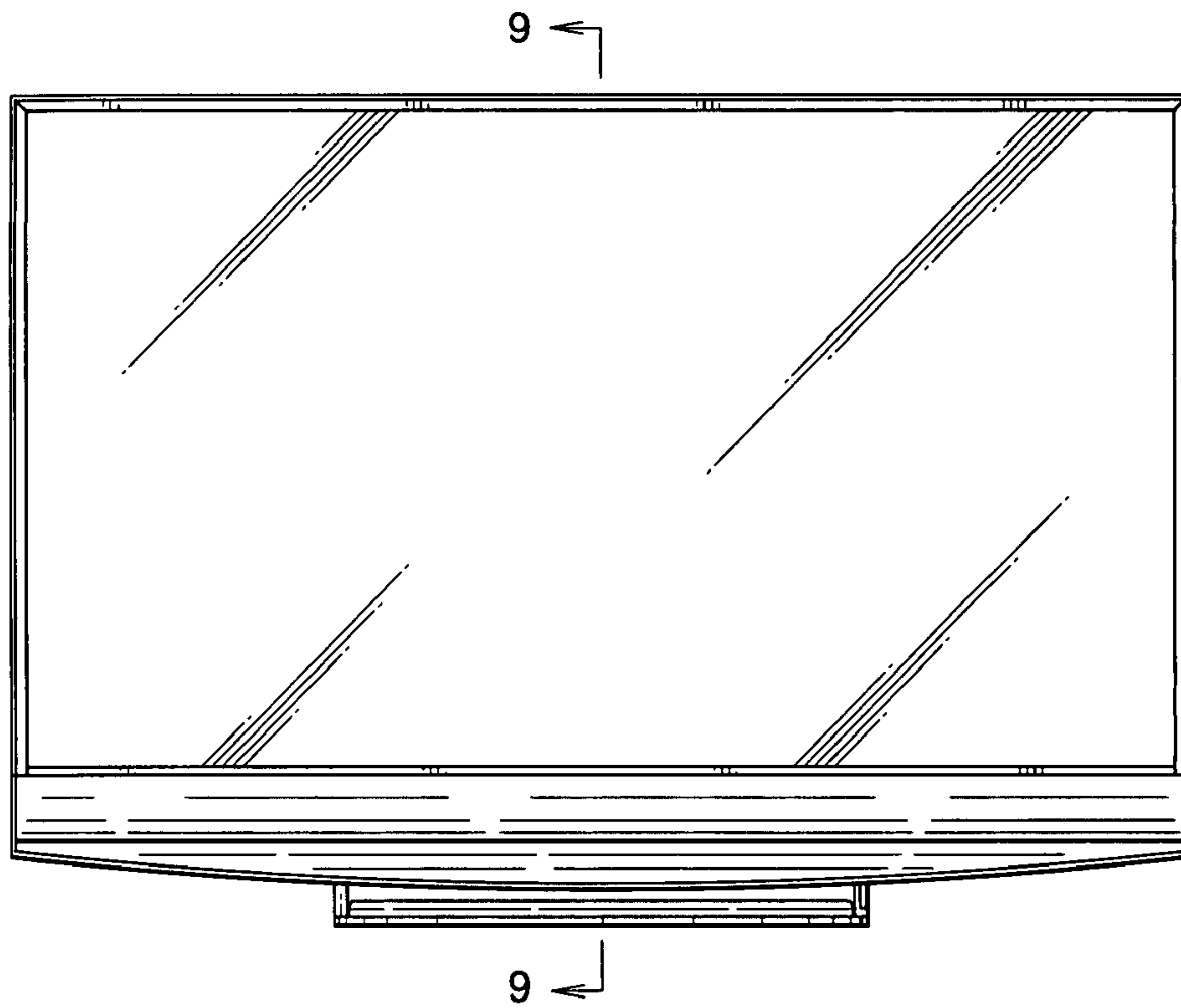


FIG.4

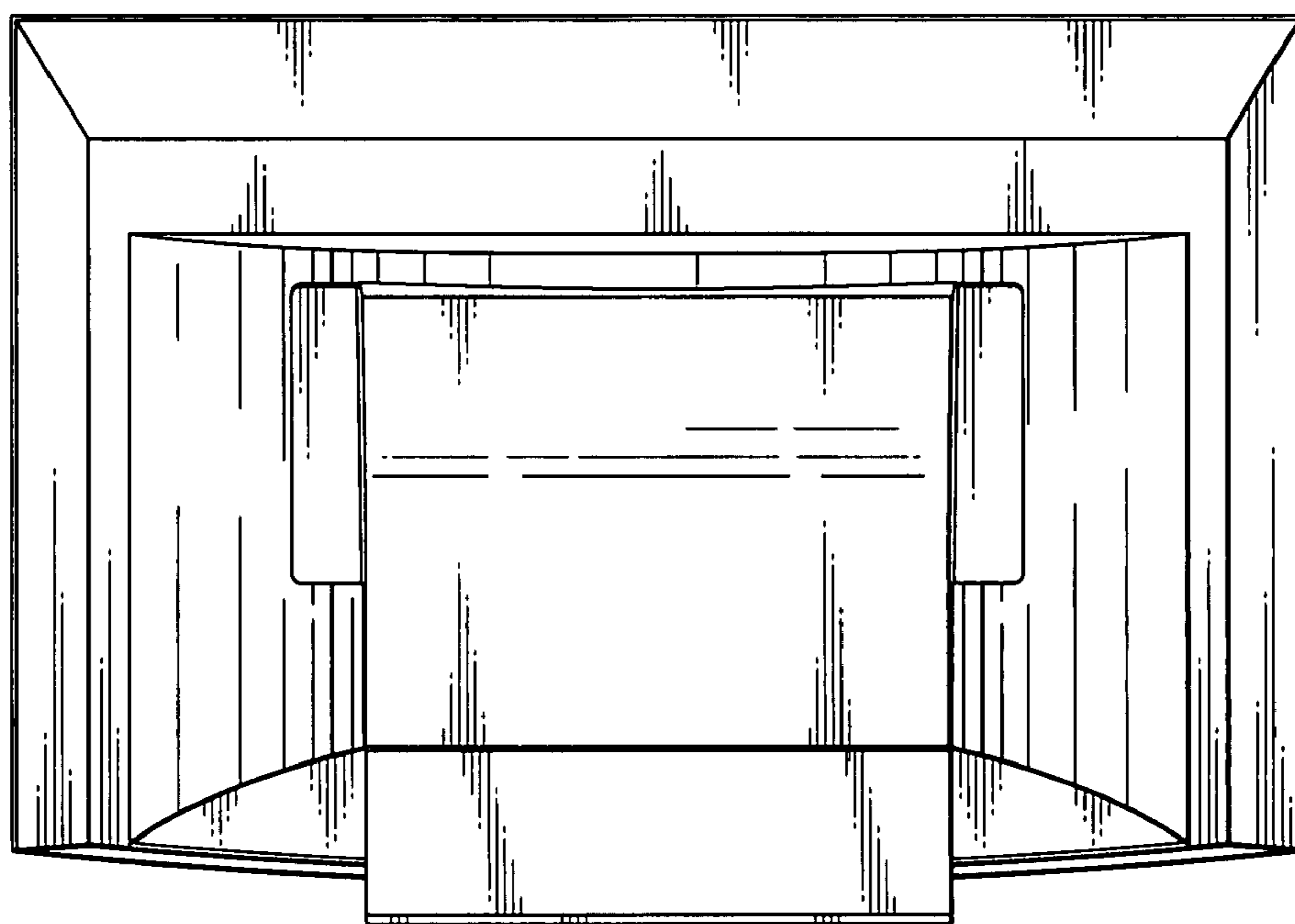


FIG.5

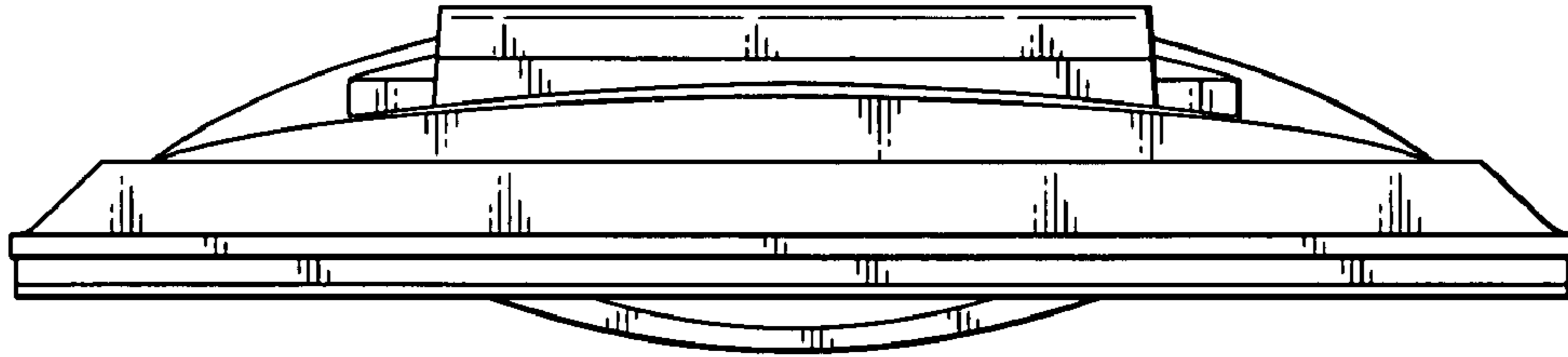


FIG.6

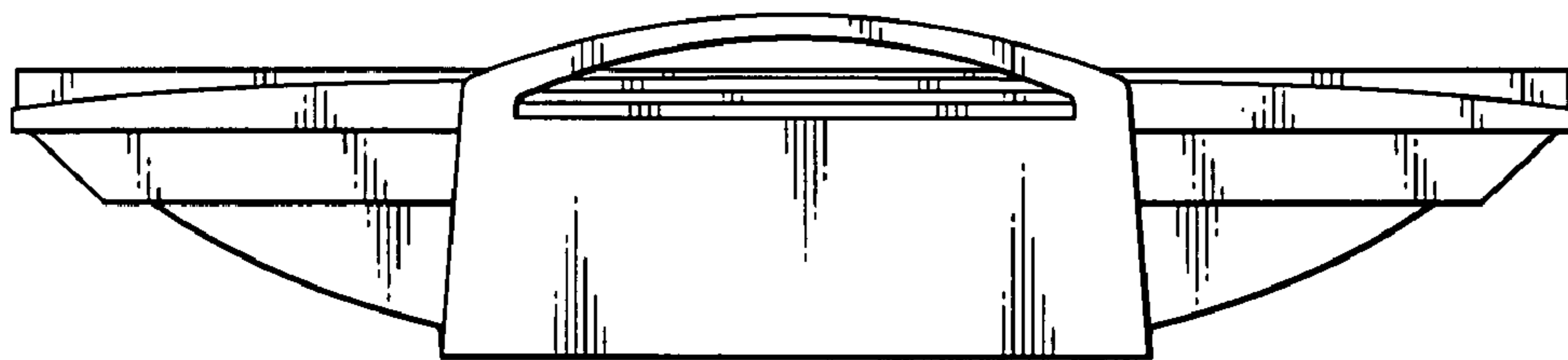


FIG.7



FIG.8

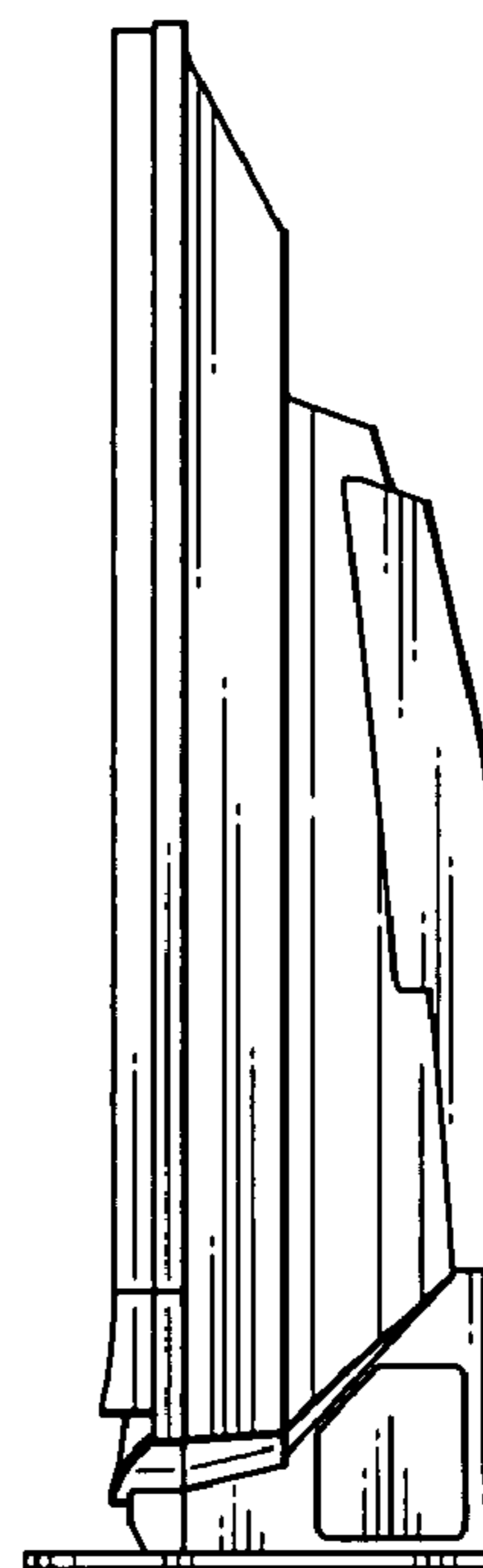


FIG.9

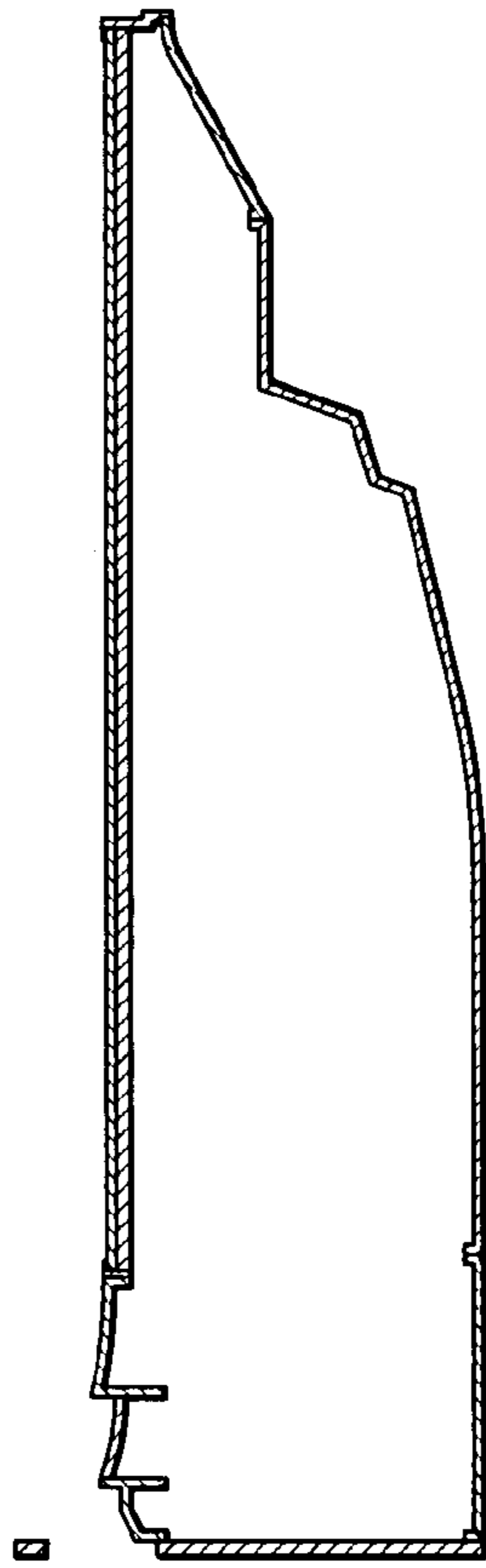


FIG.10

