



US00D564993S

(12) **United States Design Patent**  
**Lee**

(10) **Patent No.:** **US D564,993 S**  
(45) **Date of Patent:** **\*\* Mar. 25, 2008**

(54) **TELEVISION SET**  
(75) Inventor: **Chien-Kuo Lee**, Taoyuan (TW)  
(73) Assignee: **Hannspree, Inc.**, Taipei (TW)  
(\*\*) Term: **14 Years**  
(21) Appl. No.: **29/281,578**  
(22) Filed: **Jun. 26, 2007**  
(30) **Foreign Application Priority Data**  
May 30, 2007 (TW) ..... 96302991

(51) **LOC (8) Cl.** ..... **14-03**  
(52) **U.S. Cl.** ..... **D14/126**  
(58) **Field of Classification Search** ..... D14/125-134,  
D14/239, 371, 136, 374-377; 312/7.2; 348/836,  
348/838, 180, 184, 325, 739; 341/12; 248/917-924,  
248/465; 345/104, 133, 156, 168, 87, 173;  
720/605, 669, 600, 655; 369/99, 197; 455/344-347  
See application file for complete search history.

(56) **References Cited**  
**U.S. PATENT DOCUMENTS**  
D494,165 S \* 8/2004 Yokota ..... D14/341  
D529,005 S \* 9/2006 Hong ..... D14/126  
D530,686 S \* 10/2006 Reza ..... D14/126  
D535,630 S \* 1/2007 Yokota ..... D14/126

D535,953 S \* 1/2007 Fujii ..... D14/126  
D539,245 S \* 3/2007 Bischoff ..... D14/126  
D540,760 S \* 4/2007 Macey et al. .... D16/134  
D547,740 S \* 7/2007 Otani ..... D14/126

\* cited by examiner

*Primary Examiner*—Raphael Barkai  
(74) *Attorney, Agent, or Firm*—Hamre, Schumann, Mueller  
& Larson, P.C.

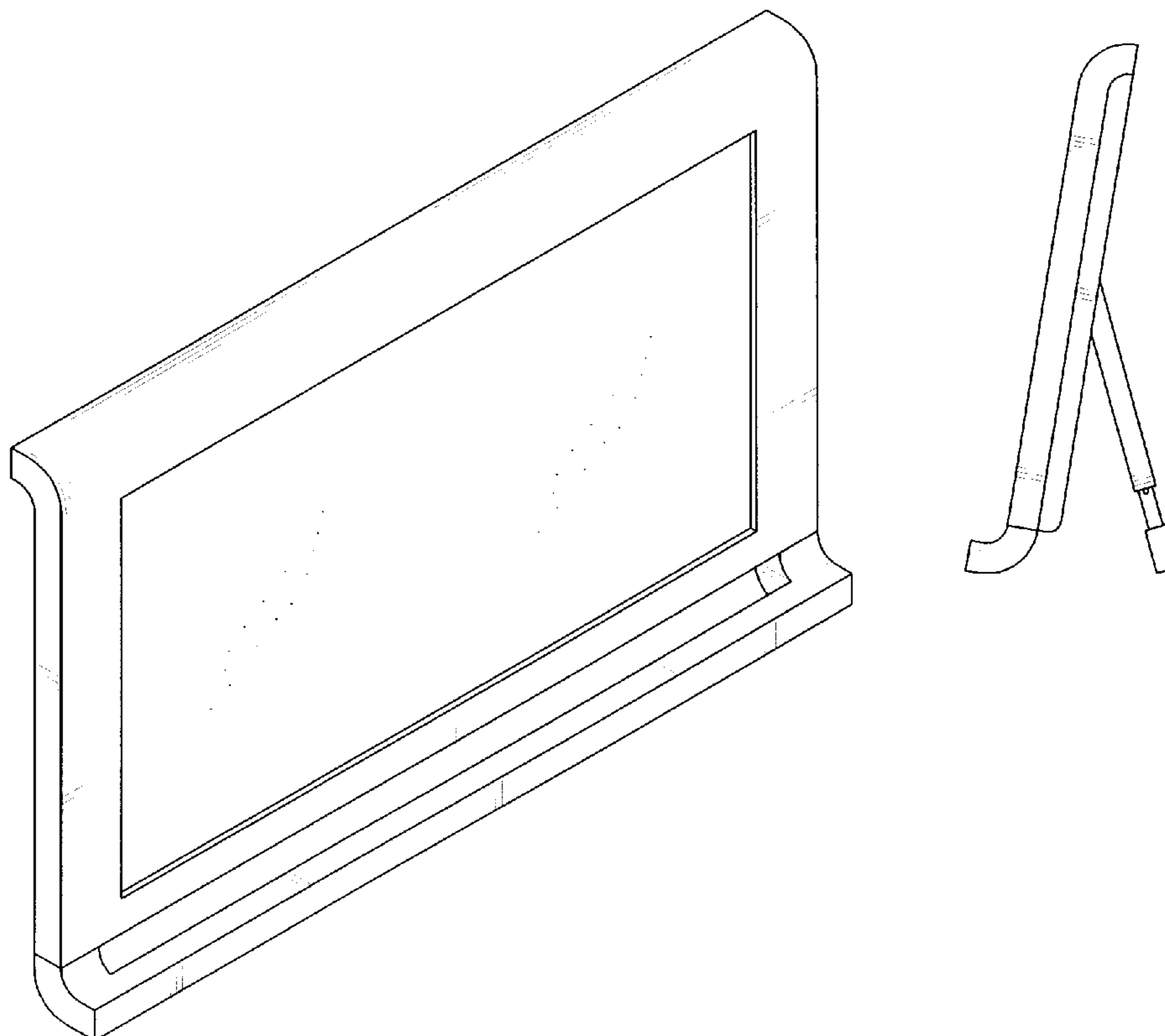
(57) **CLAIM**

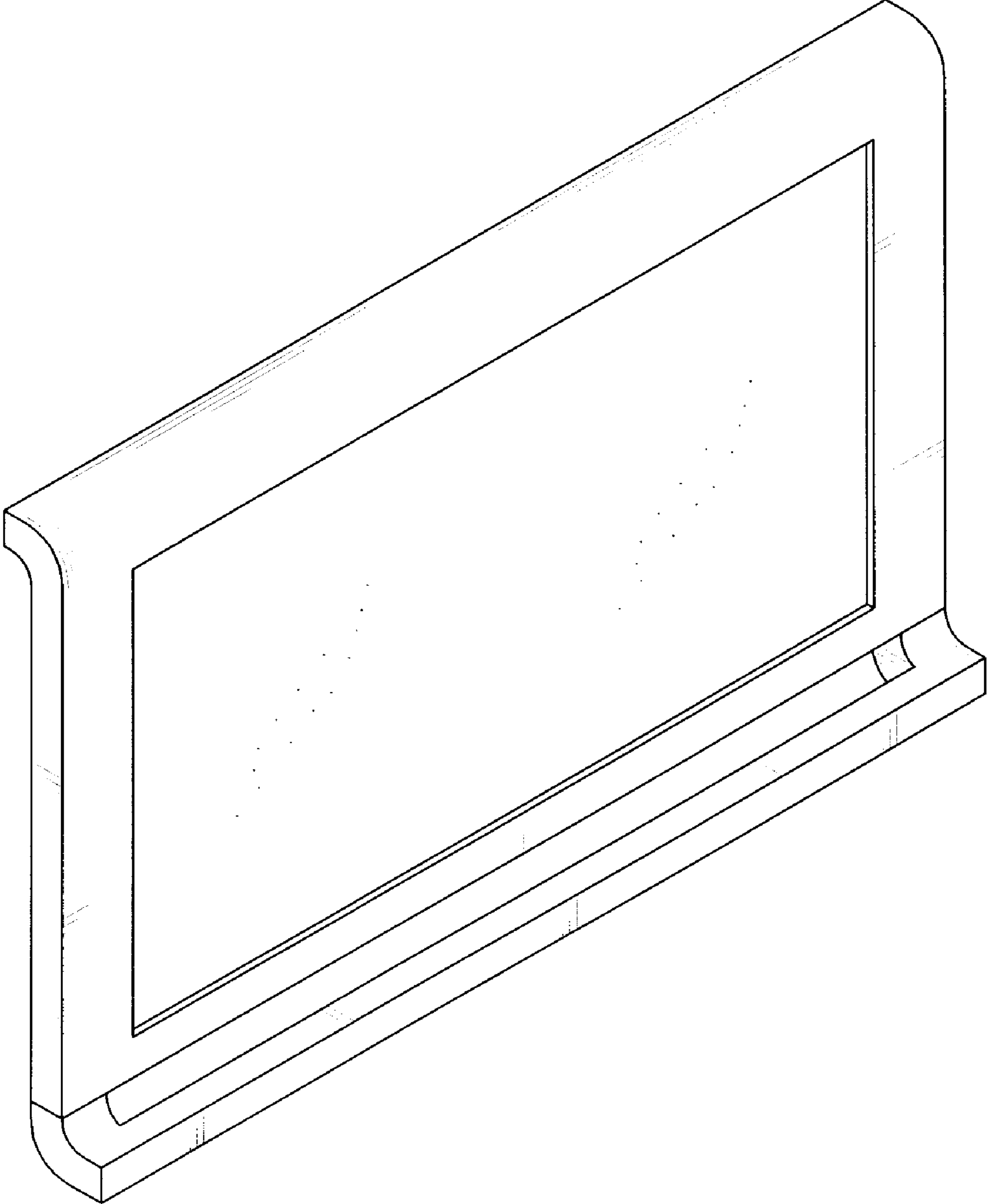
I claim the ornamental design for a television set, as shown  
and described.

**DESCRIPTION**

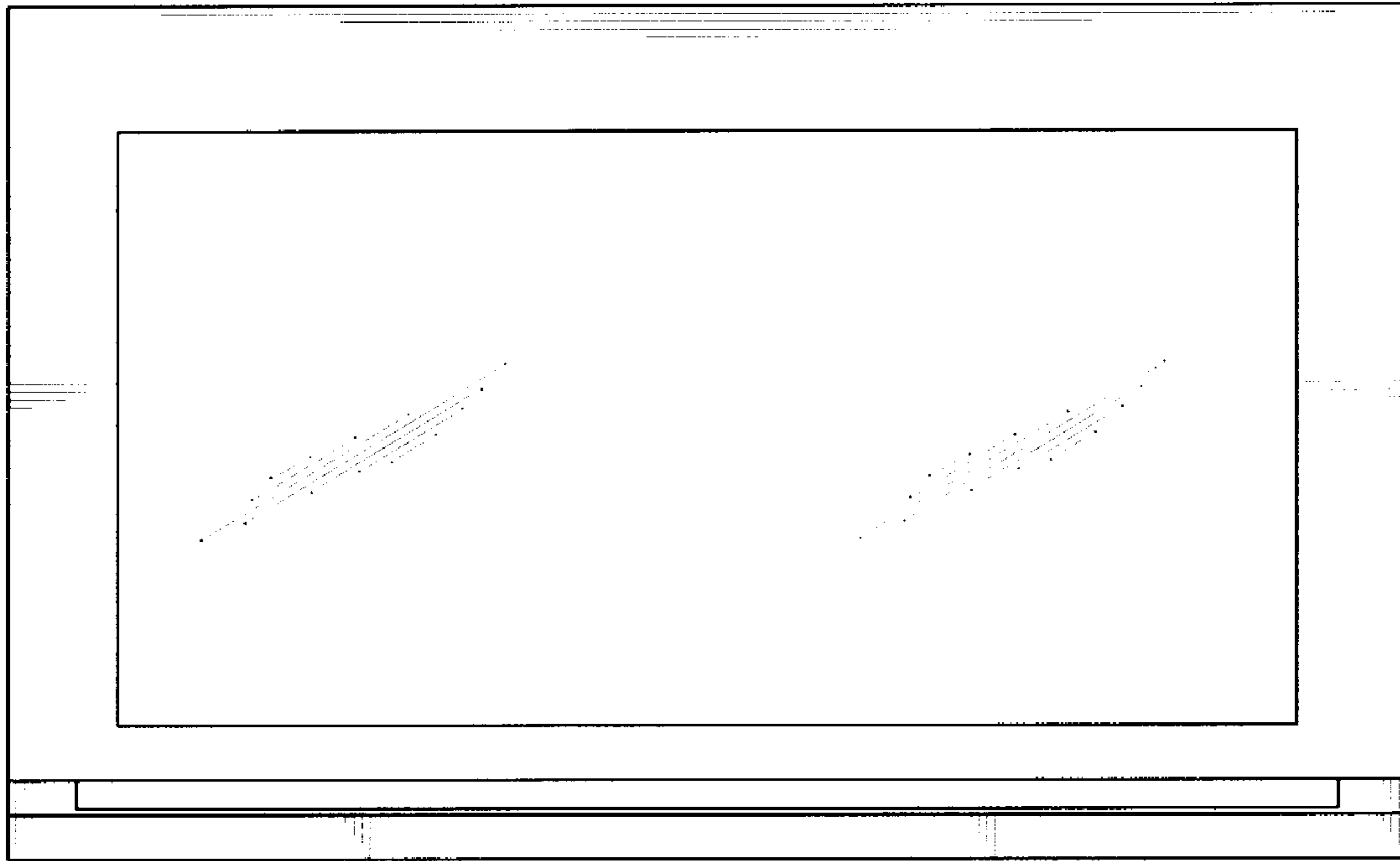
FIG. 1 is a front perspective view of a television set in  
accordance with my invention thereof;  
FIG. 2 is a front elevational view thereof;  
FIG. 3 is a rear elevational view thereof;  
FIG. 4 is a left side elevational view thereof;  
FIG. 5 is a right side elevational view thereof;  
FIG. 6 is a top plan view thereof;  
FIG. 7 is a bottom plan view thereof; and,  
FIG. 8 is an alternative right side elevational view of a  
television set in a used state thereof.

**1 Claim, 8 Drawing Sheets**

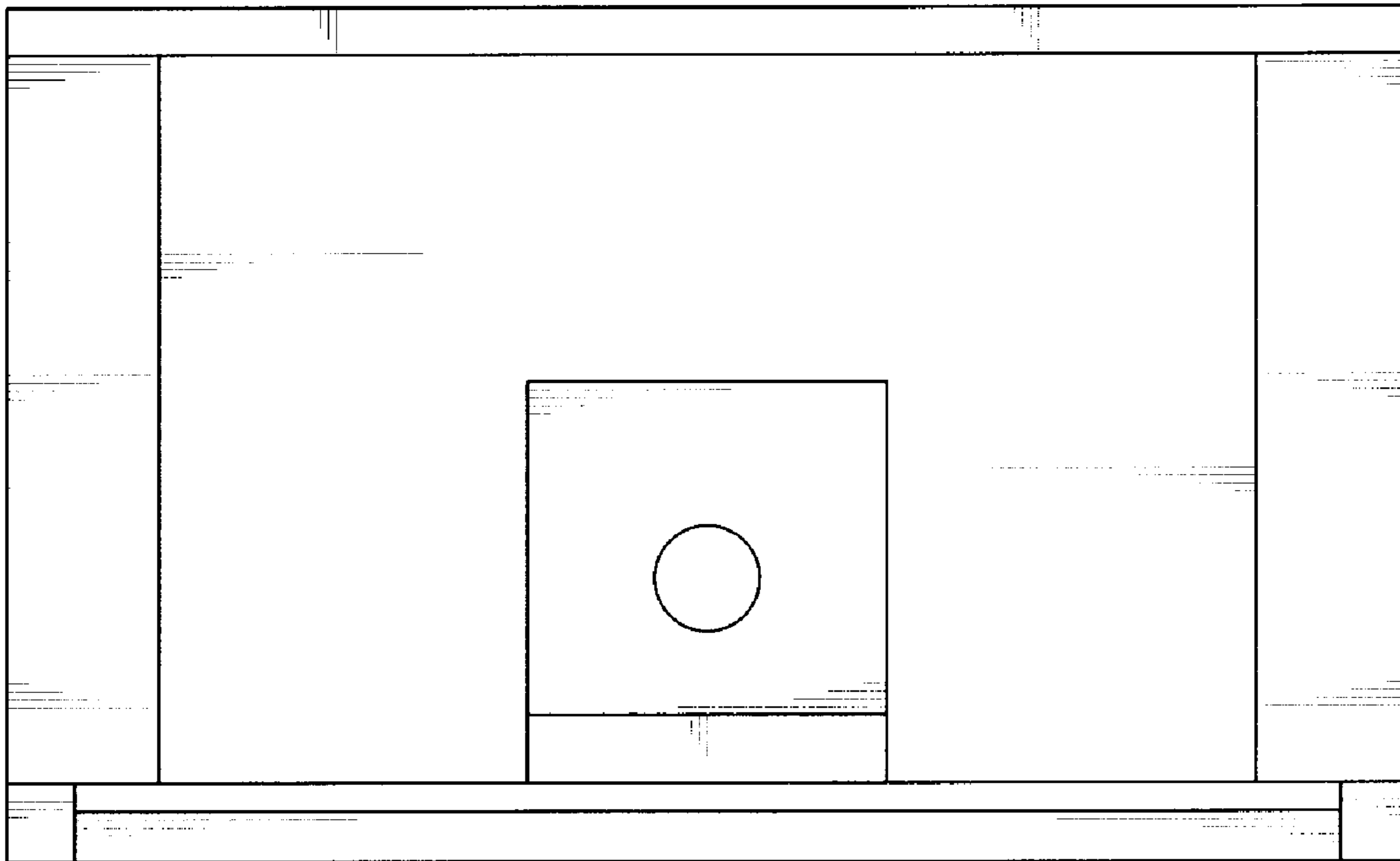




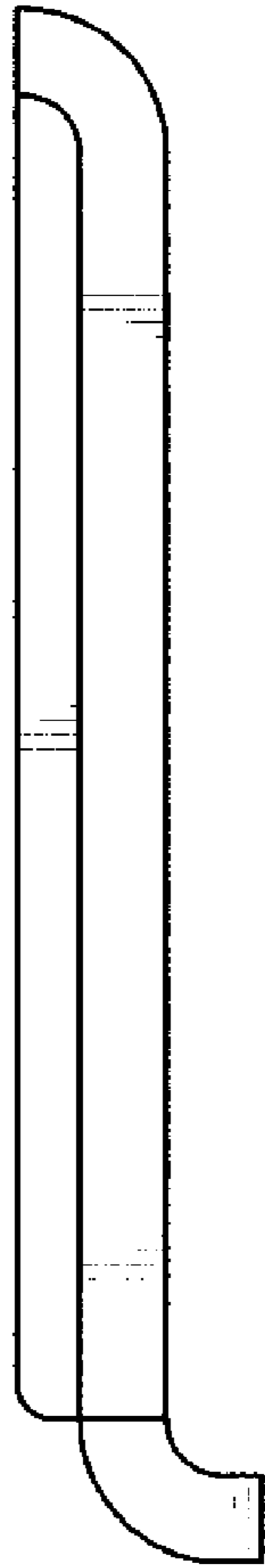
**FIG. 1**



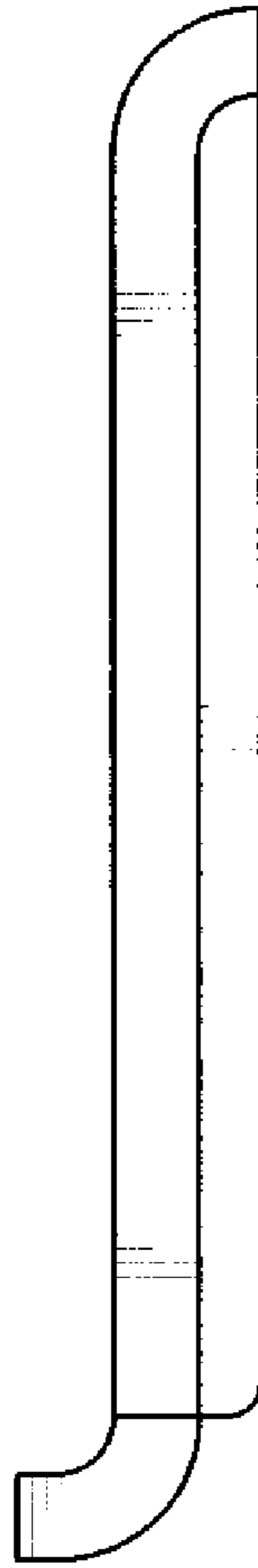
**FIG. 2**



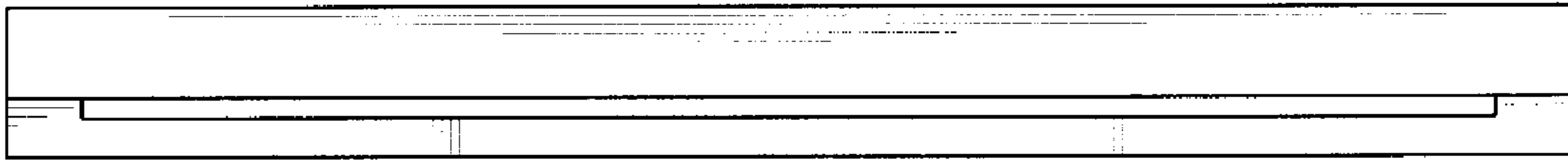
**FIG. 3**



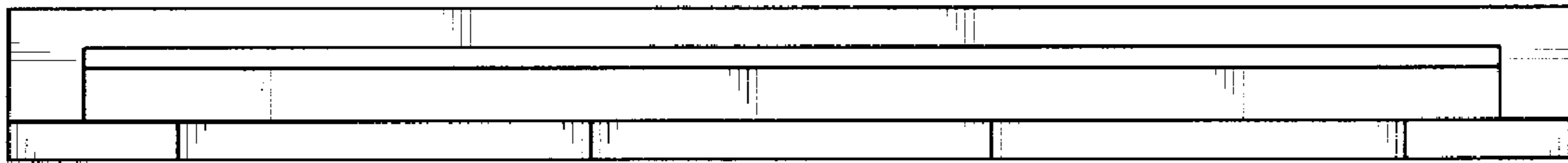
**FIG. 4**



**FIG. 5**

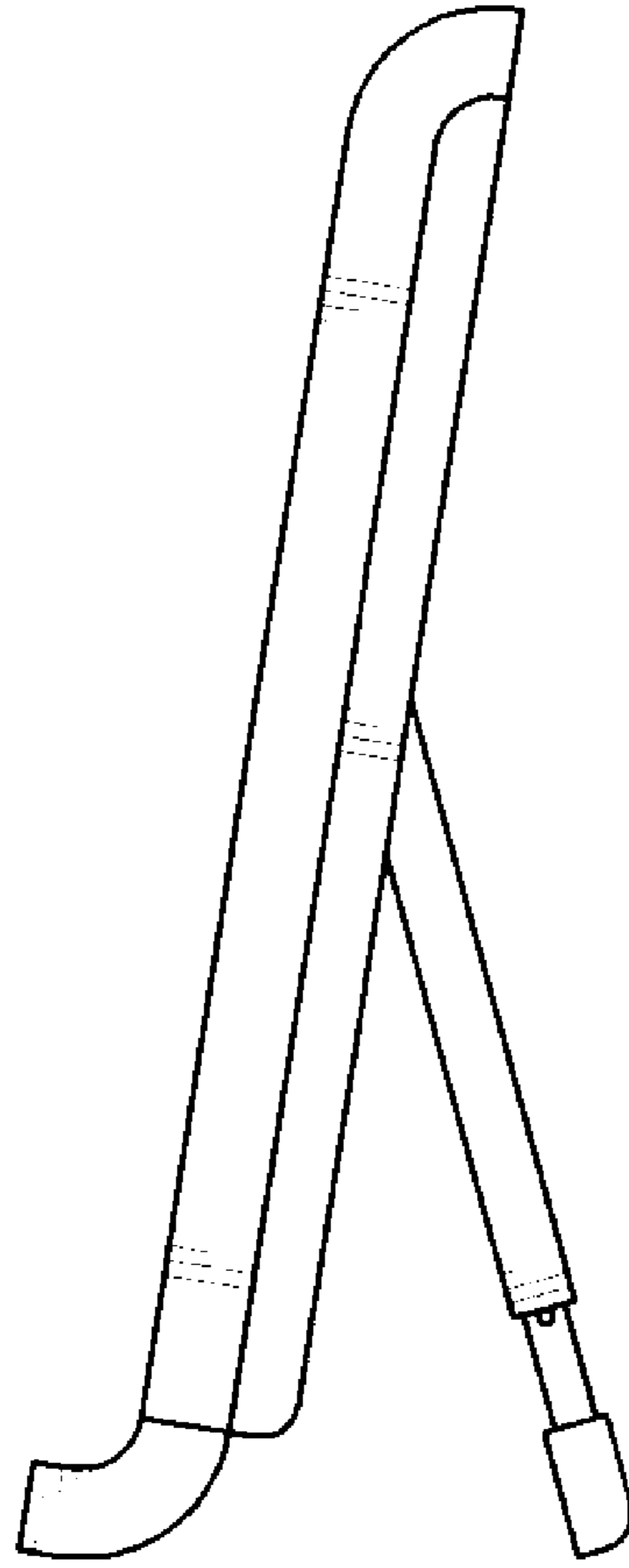


**FIG. 6**



**FIG. 7**





**FIG. 8**