



US00D564992S

(12) **United States Design Patent**
Hoehn

(10) **Patent No.:** **US D564,992 S**
(45) **Date of Patent:** **** Mar. 25, 2008**

- (54) **TELEVISION SET**
- (75) Inventor: **Holger Hoehn**, Taipei (TW)
- (73) Assignee: **Hannspree, Inc.**, Taipei (TW)
- (**) Term: **14 Years**
- (21) Appl. No.: **29/281,242**
- (22) Filed: **Jun. 19, 2007**
- (30) **Foreign Application Priority Data**
Apr. 9, 2007 (TW) 96301925
- (51) **LOC (8) Cl.** **14-03**
- (52) **U.S. Cl.** **D14/126**
- (58) **Field of Classification Search** D14/125-134,
D14/239, 371, 136, 374-377; 312/7.2; 348/836,
348/838, 180, 184, 325, 739; 341/12; 248/917-924,
248/465; 345/104, 133, 156, 168, 87, 173;
720/605, 669, 600, 655; 369/99, 197; 455/344-347
See application file for complete search history.

- D535,632 S * 1/2007 Peng D14/129
- D547,277 S * 7/2007 Chu D14/126
- D551,190 S * 9/2007 Tang D14/126
- D551,191 S * 9/2007 Lee D14/126

* cited by examiner

Primary Examiner—Raphael Barkai
(74) *Attorney, Agent, or Firm*—Marger Johnson & McCollom, PC

(57) **CLAIM**

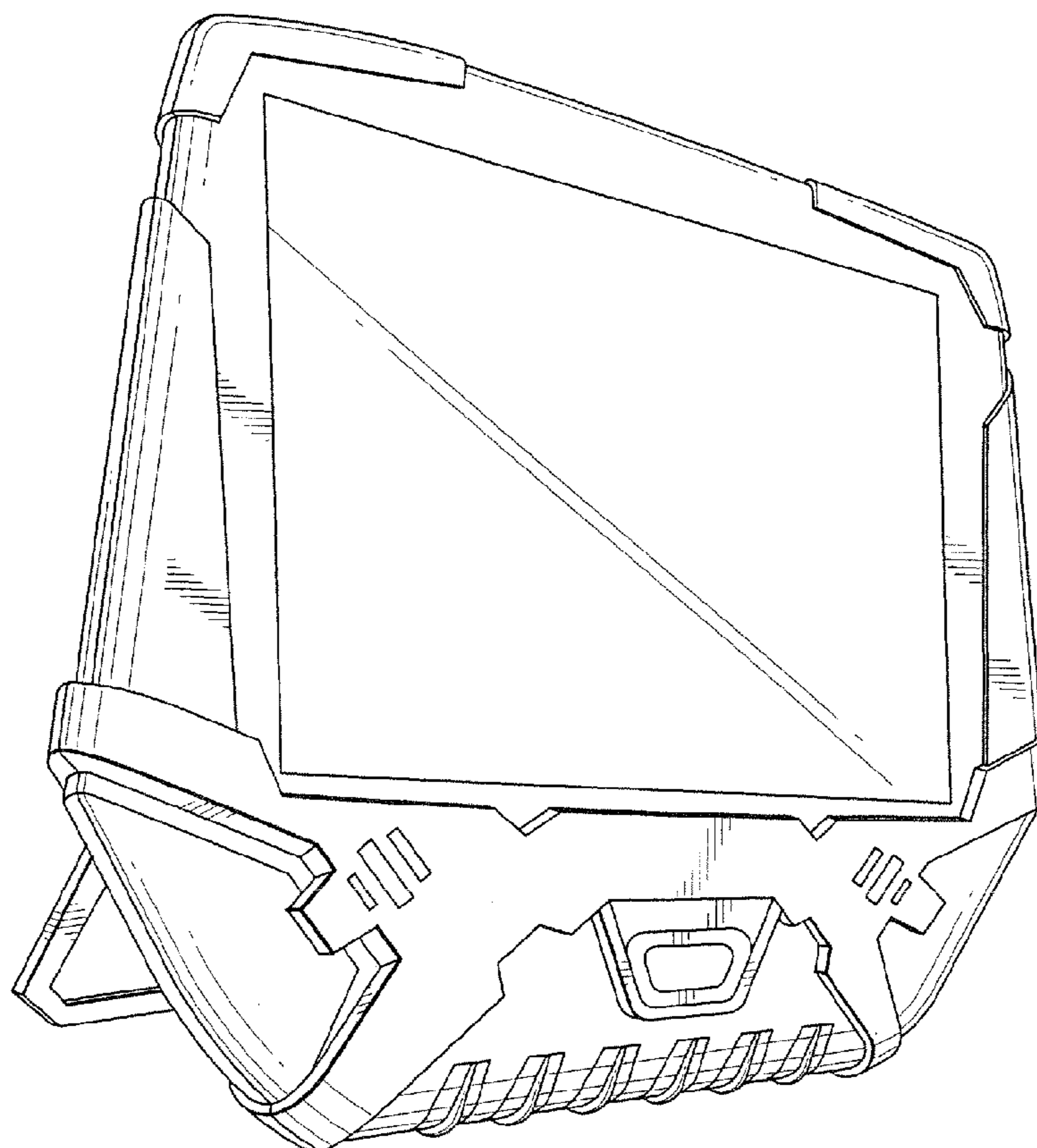
The ornamental design for television set, as shown and described.

DESCRIPTION

FIG. 1 is a perspective view of television set showing my new design;
 FIG. 2 is a front elevational view thereof;
 FIG. 3 is a rear elevational view thereof;
 FIG. 4 is a left side elevational view thereof;
 FIG. 5 is a right side elevational view thereof;
 FIG. 6 is a top plan view thereof;
 FIG. 7 is a bottom plan view thereof; and,
 FIG. 8 is a perspective view in use.

- (56) **References Cited**
U.S. PATENT DOCUMENTS
D529,010 S * 9/2006 Imboden D14/126
D529,882 S * 10/2006 Hoehn et al. D14/126

1 Claim, 5 Drawing Sheets



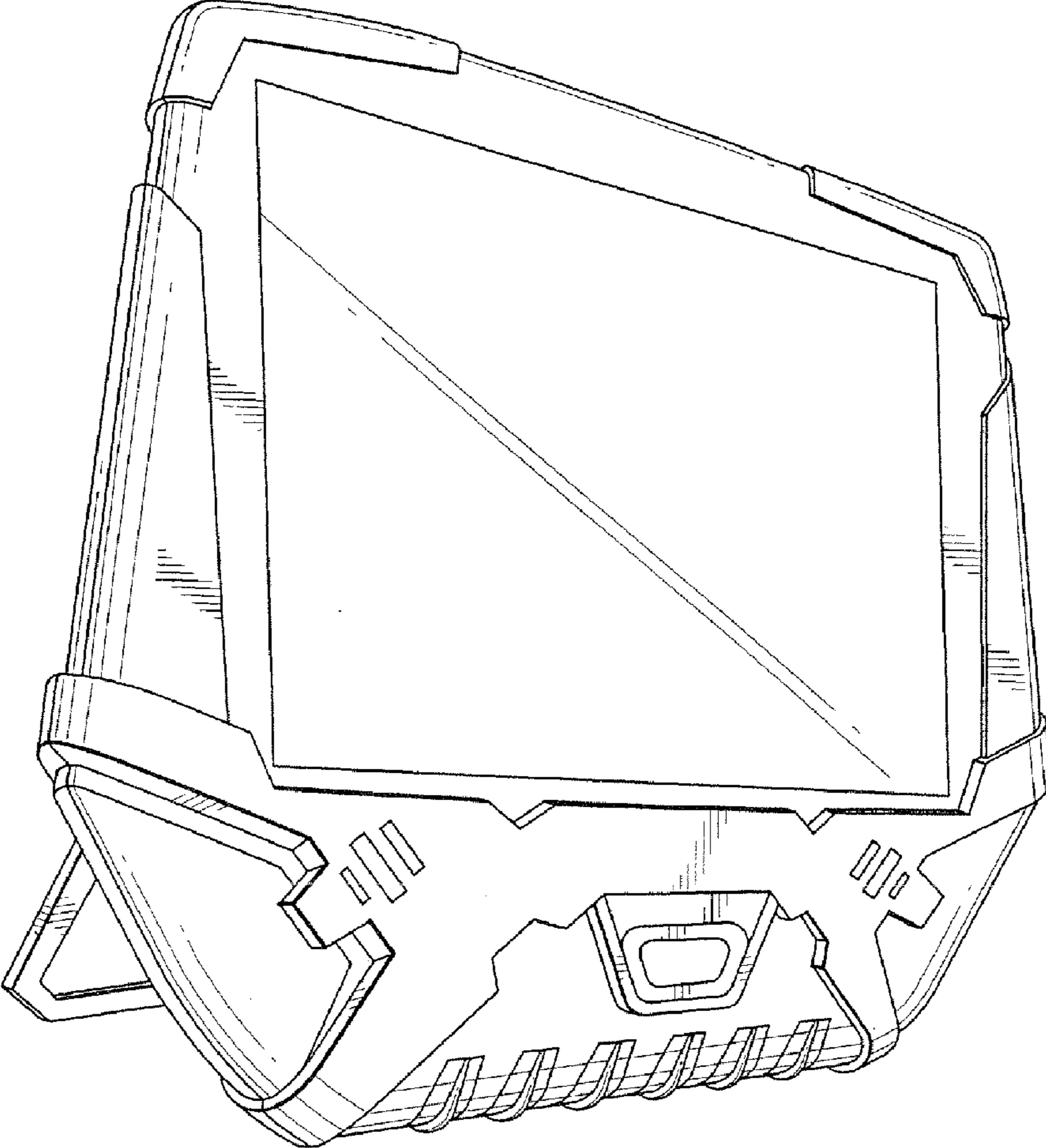


FIG. 1

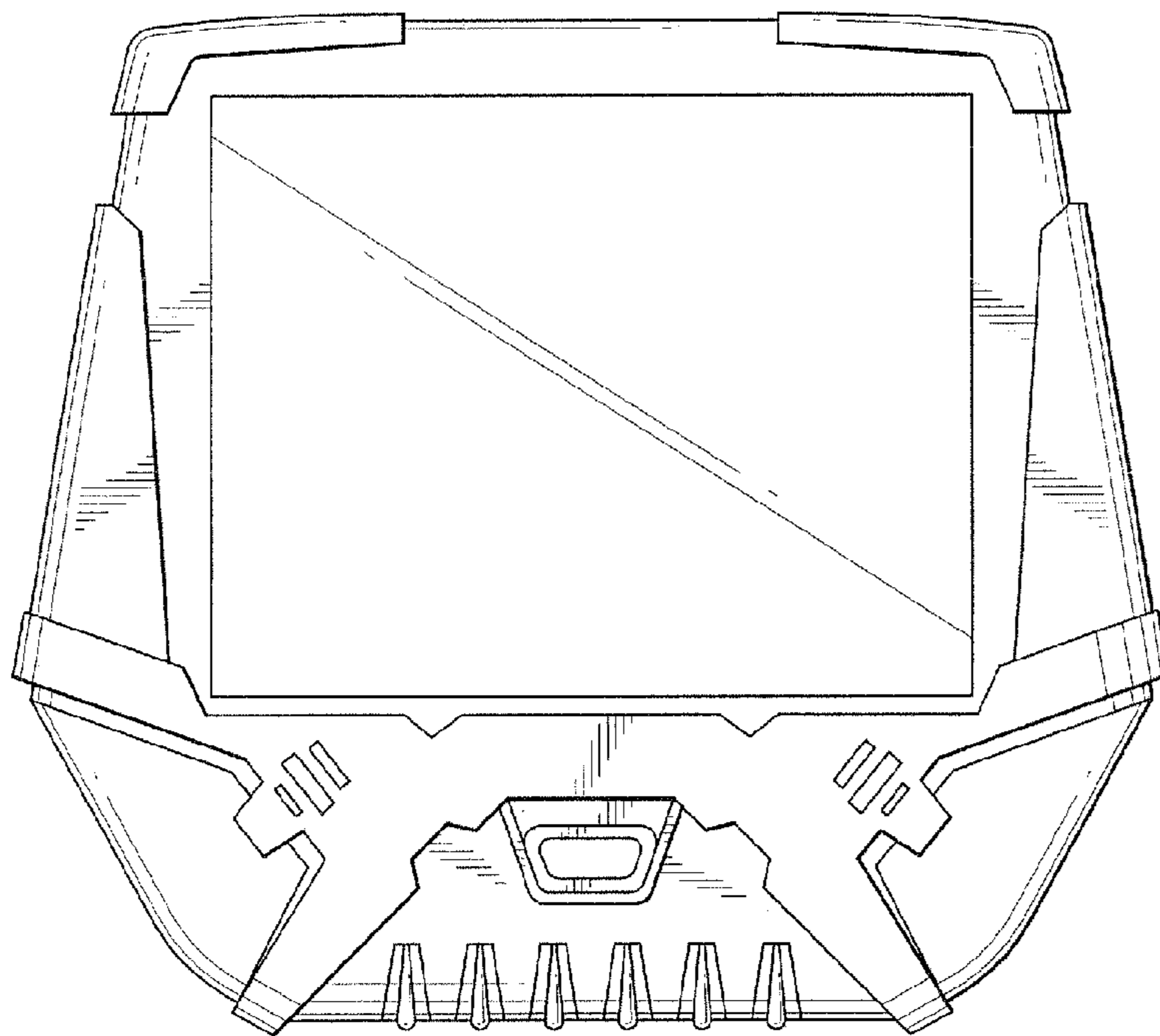


FIG. 2

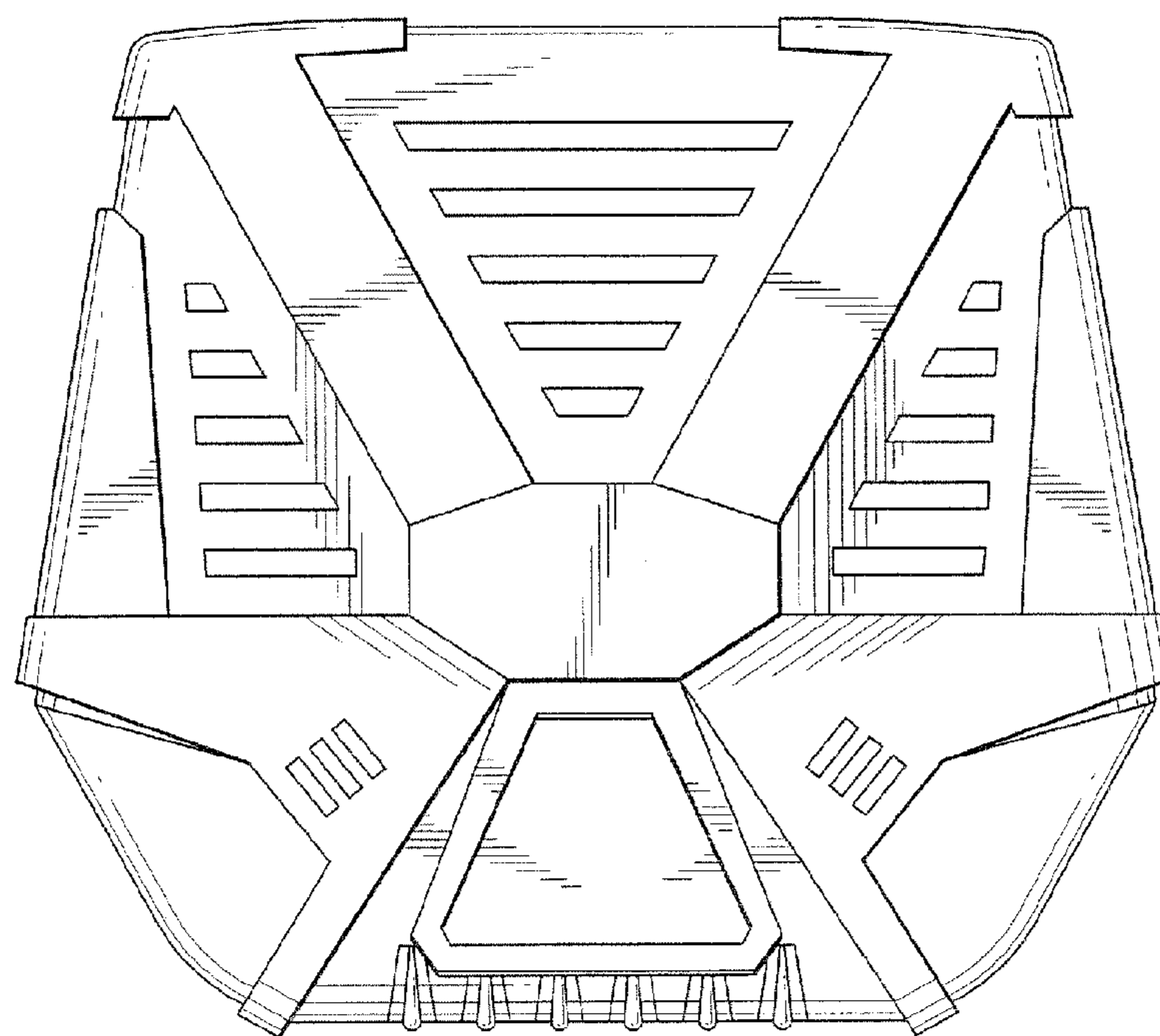


FIG. 3

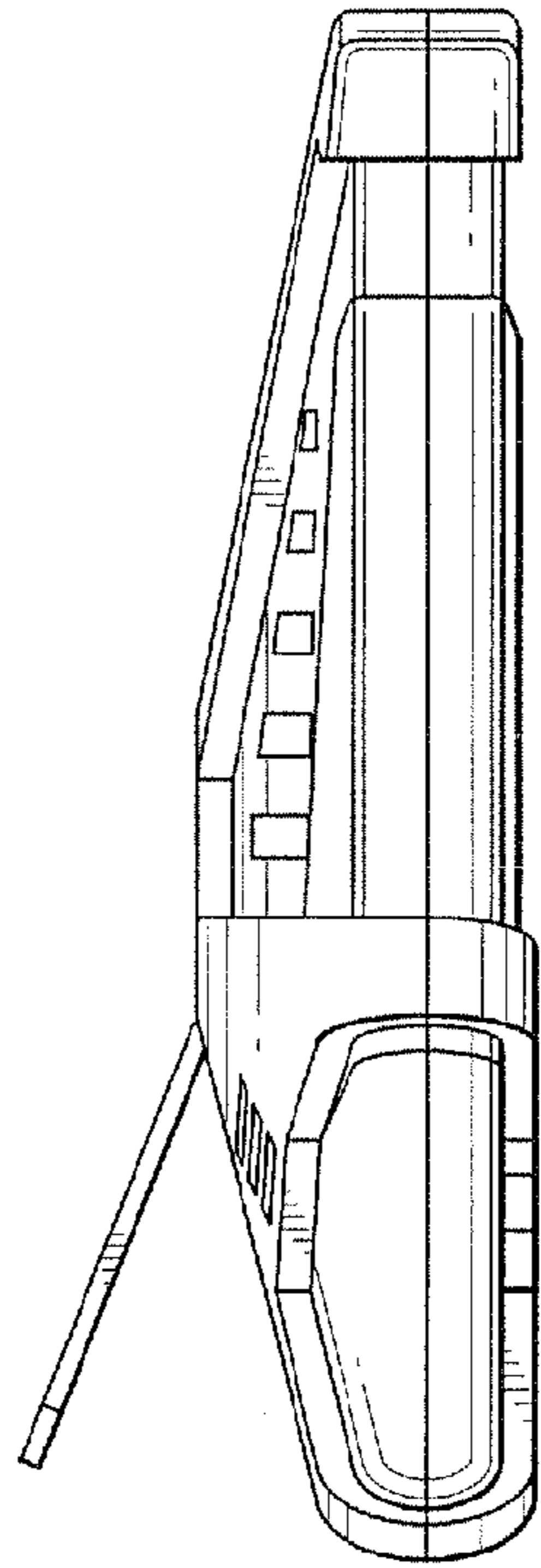


FIG. 4

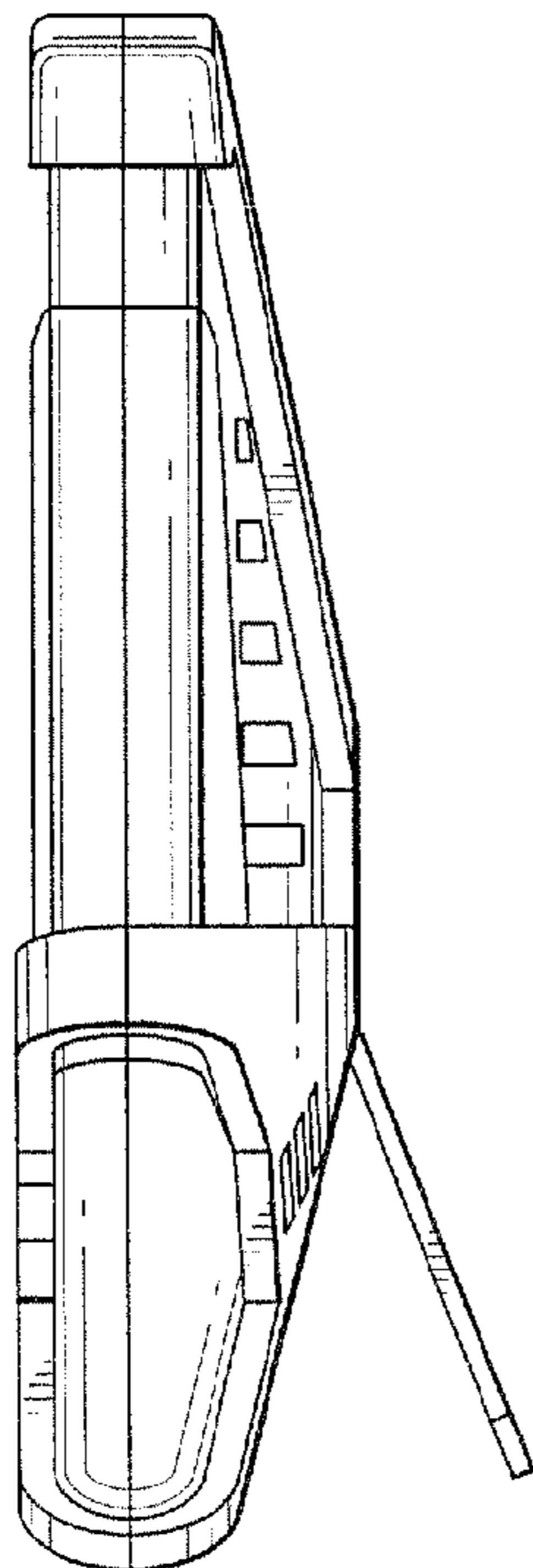


FIG. 5

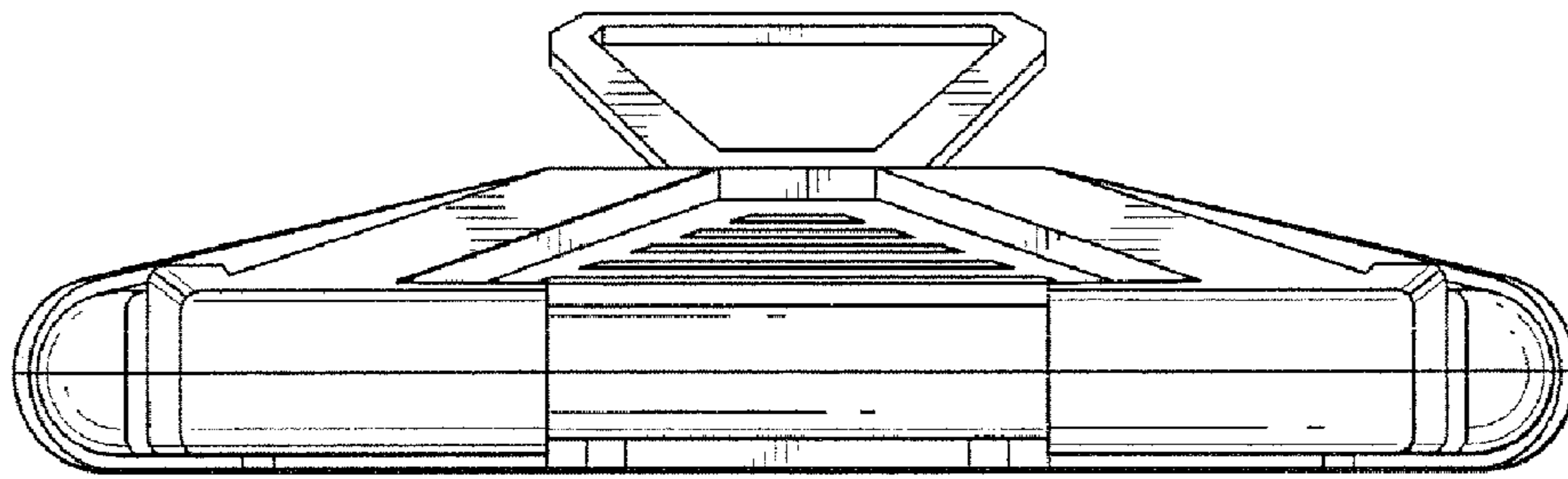


FIG. 6

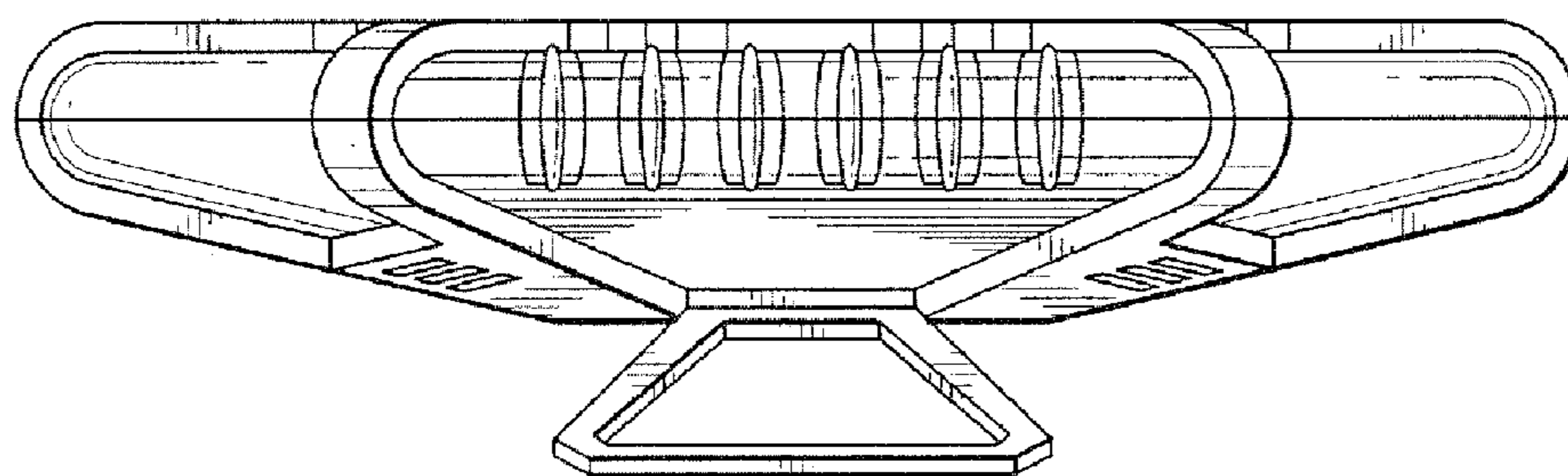


FIG. 7

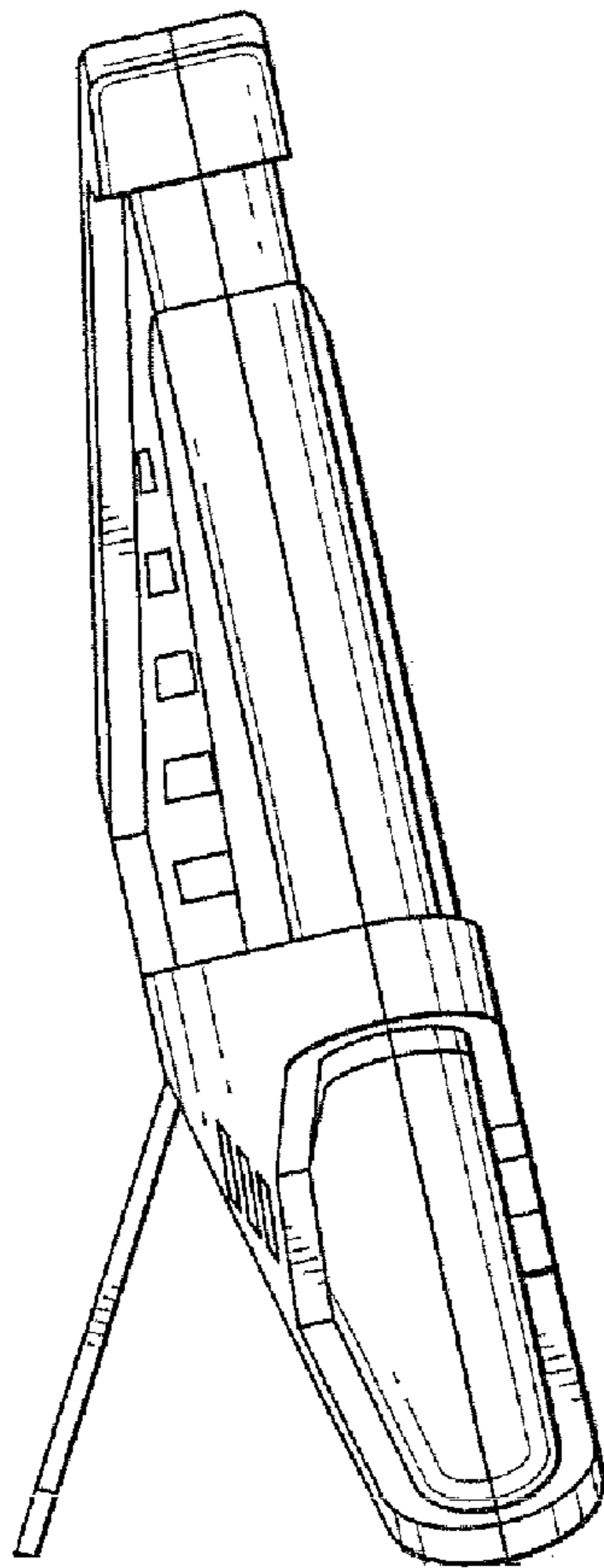


FIG. 8