



US00D564991S

(12) **United States Design Patent**
Vitito

(10) **Patent No.:** **US D564,991 S**
(45) **Date of Patent:** **** Mar. 25, 2008**

(54) **VEHICLE ENTERTAINMENT SYSTEM FOR A HEADREST**

(76) Inventor: **Christopher J. Vitito**, 514 Longmeadow St., Celebration, FL (US) 34747

(**) Term: **14 Years**

(21) Appl. No.: **29/263,142**

(22) Filed: **Jul. 18, 2006**

(51) **LOC (8) Cl.** **14-03**

(52) **U.S. Cl.** **D14/126; D14/129**

(58) **Field of Classification Search** D14/125-134, D14/239, 371, 136, 374-377; 312/7.2; 348/836, 348/838, 180, 184, 325, 739; 341/12; 248/917-924, 248/465; 345/104, 133, 156, 168, 87, 173; 720/605, 669, 600, 655; 369/99, 197; 455/344-347
See application file for complete search history.

(56) **References Cited**

U.S. PATENT DOCUMENTS

RE33,423 E	11/1990	Lobanoff
D324,040 S	2/1992	Saito et al.
5,100,098 A	3/1992	Hawkins
5,173,686 A	12/1992	Fujihara
5,267,775 A	12/1993	Nguyen
5,507,556 A	4/1996	Dixon
5,529,265 A	6/1996	Sakurai
5,713,633 A	2/1998	Lu
D414,473 S	9/1999	Kummel et al.
D415,147 S	10/1999	Adachi
6,020,867 A	2/2000	Shimada et al.
D438,849 S	3/2001	Adachi et al.
D439,567 S	3/2001	Forlenza et al.
D443,255 S	6/2001	Lavelle et al.
6,250,967 B1	6/2001	Chu
D446,193 S	8/2001	Lavelle et al.
D448,009 S	9/2001	Lavelle et al.

D457,504 S *	5/2002	Hori et al.	D14/126
D468,276 S	1/2003	Chang		
D469,413 S *	1/2003	To et al.	D14/126
6,619,605 B2	9/2003	Lambert		
6,669,285 B1	12/2003	Park et al.		
6,698,832 B2	3/2004	Boudinot		
D507,785 S *	7/2005	Mizokawa	D14/126
D515,522 S *	2/2006	Vitito	D14/126
D531,150 S *	10/2006	Yabe et al.	D14/129
2003/0137584 A1	7/2003	Norvell et al.		
2004/0007906 A1 *	1/2004	Park et al.	297/217.3
2004/0032543 A1 *	2/2004	Chang	348/837

* cited by examiner

Primary Examiner—Raphael Barkai

(74) *Attorney, Agent, or Firm*—Welsh + Flaxman LLC

(57) **CLAIM**

The ornamental design for a vehicle entertainment system for a headrest, as shown and described.

DESCRIPTION

FIG. 1 is a perspective view of a vehicle entertainment system for a headrest showing my new design.

FIG. 2 is a perspective view of thereof.

FIG. 3 is a top view of thereof.

FIG. 4 is a front view of thereof.

FIG. 5 is a bottom view of thereof.

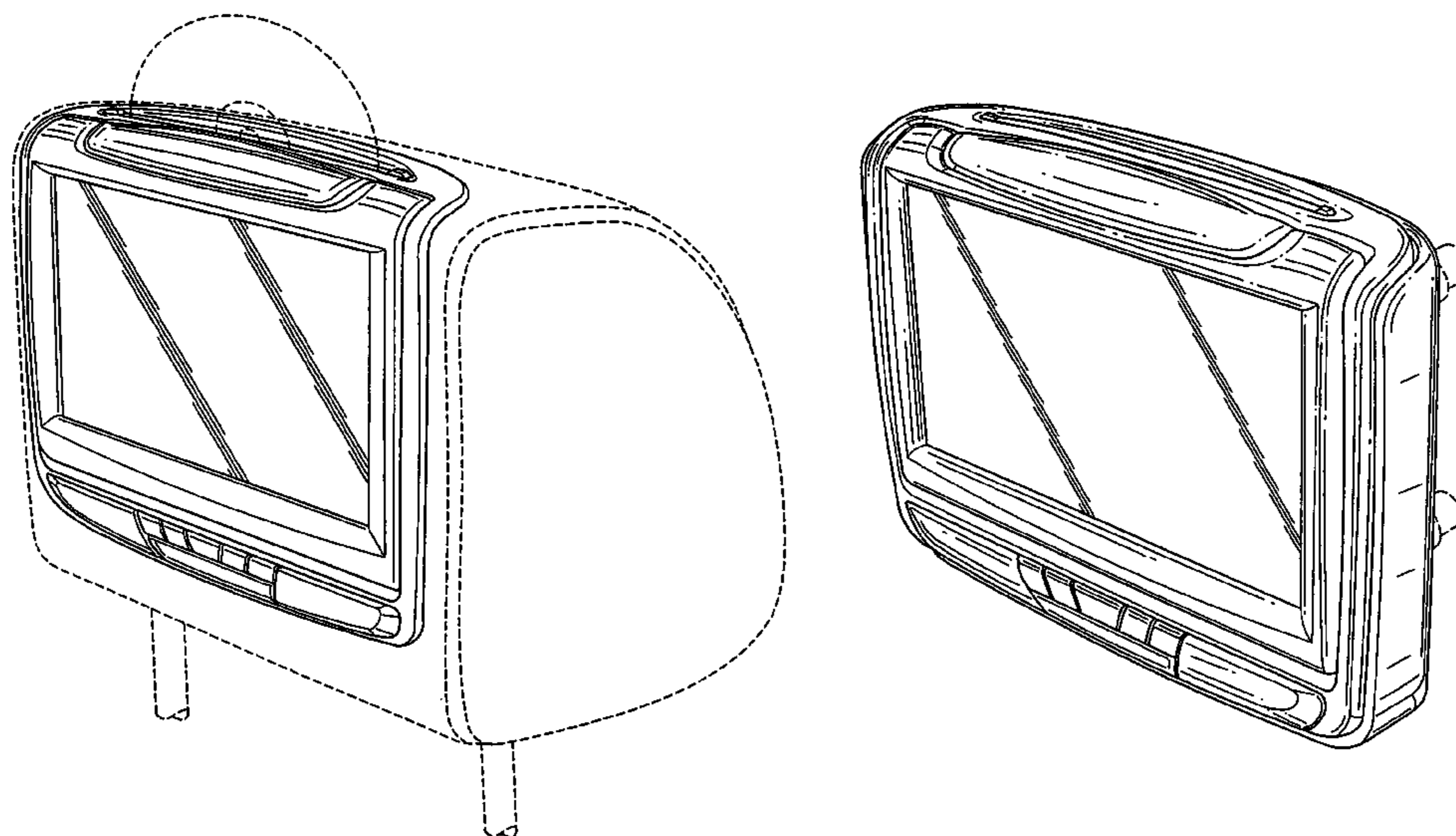
FIG. 6 is a rear view of thereof.

FIG. 7 is a side view of thereof; and,

FIG. 8 is an opposite view of thereof.

The broken lines in the drawings are for the purpose of showing environmental structure and do not form part of the design to be patented.

1 Claim, 4 Drawing Sheets



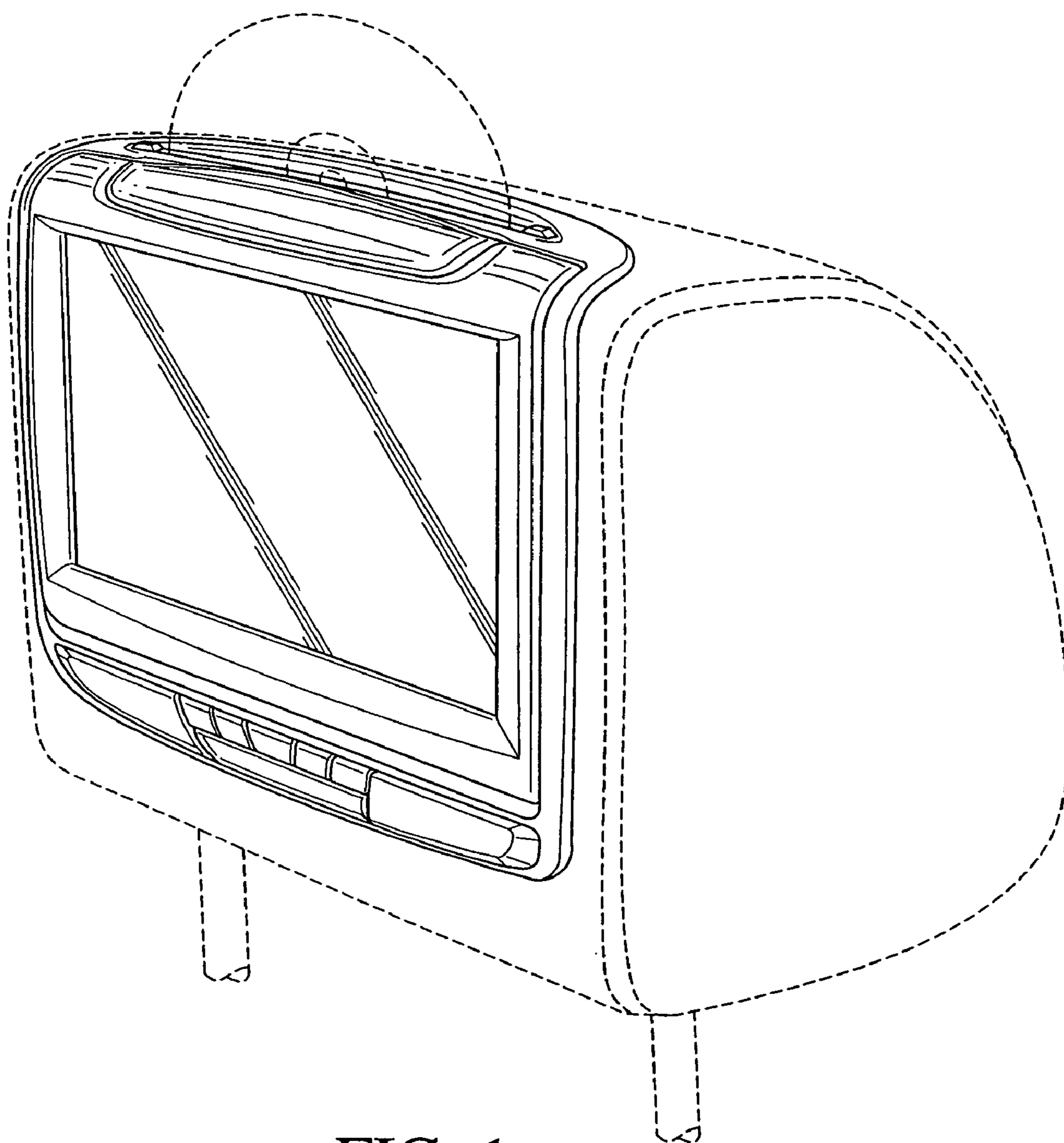


FIG. 1

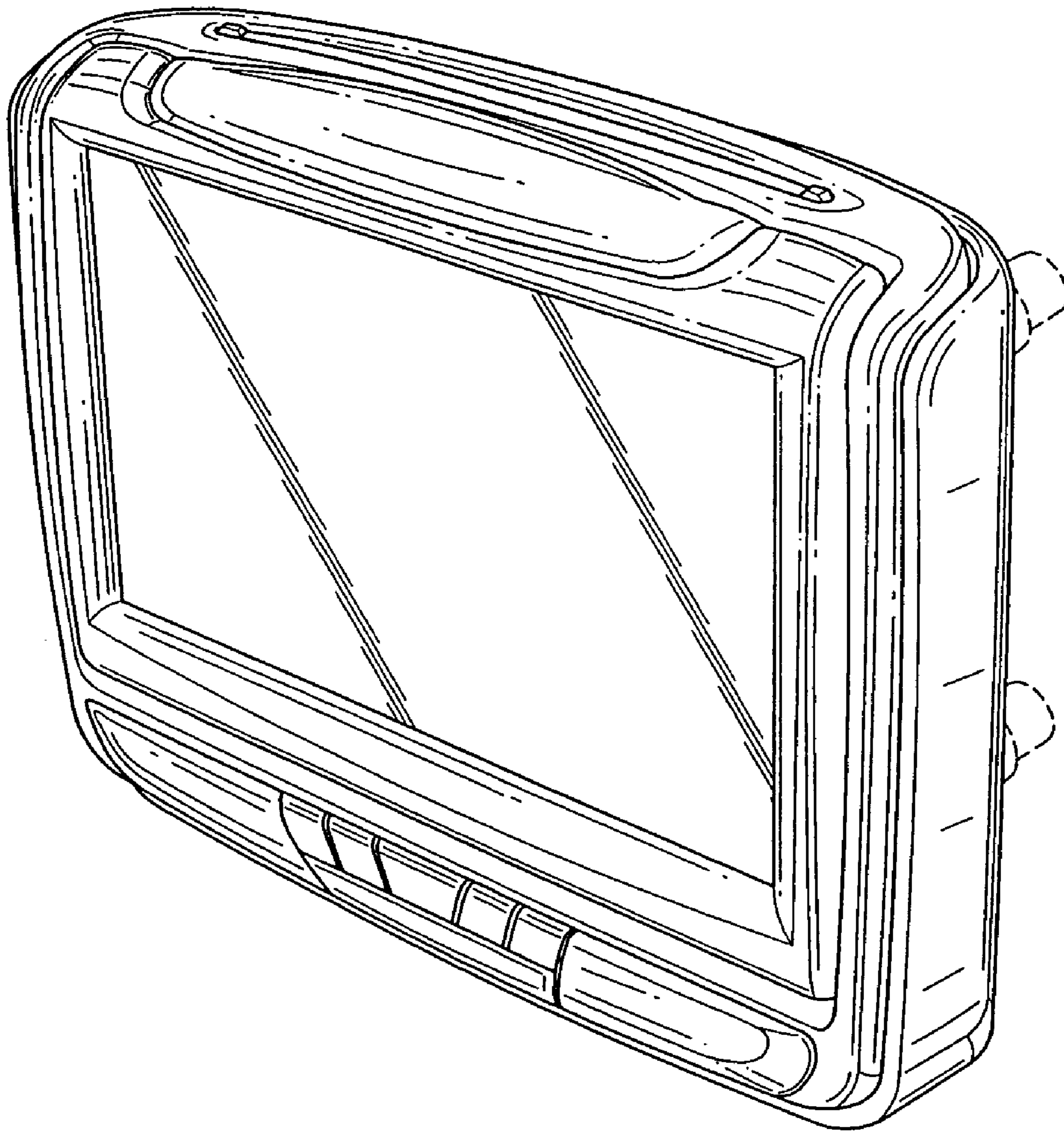


FIG. 2

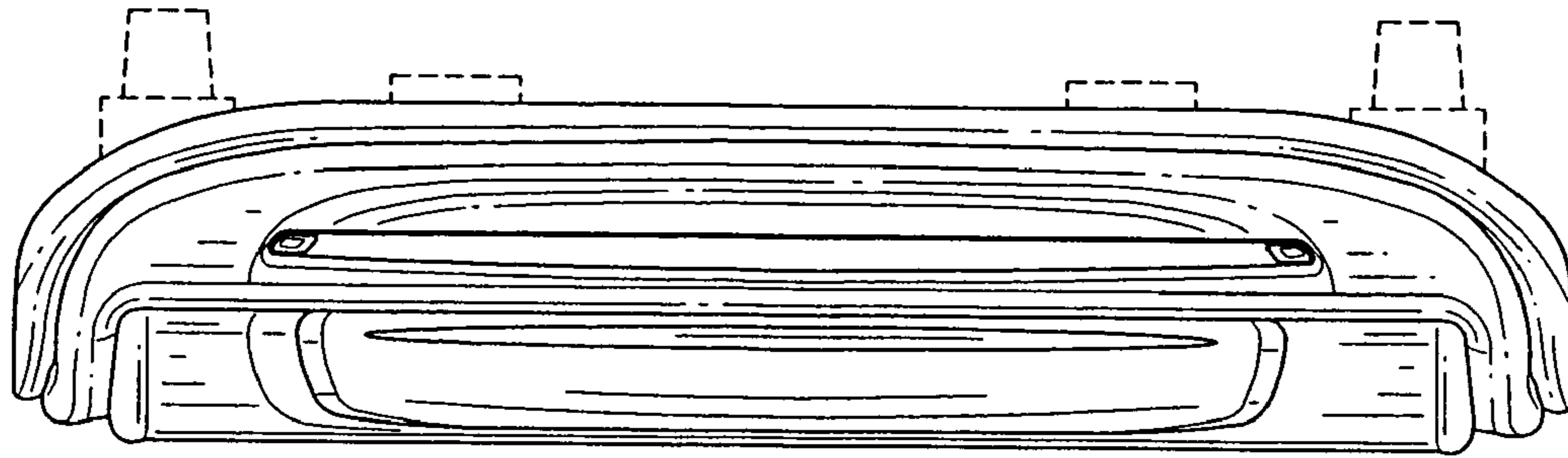


FIG. 3

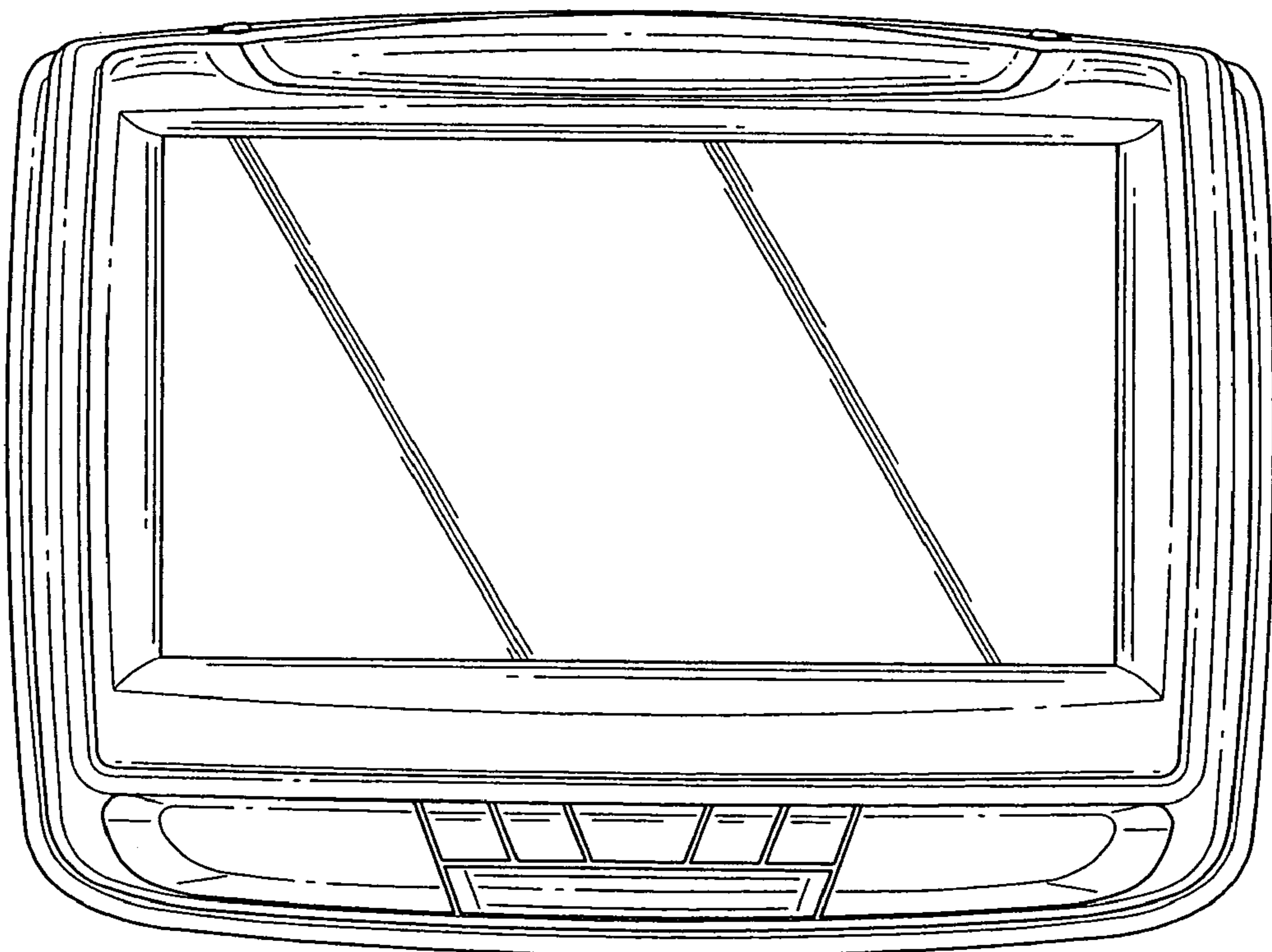


FIG. 4

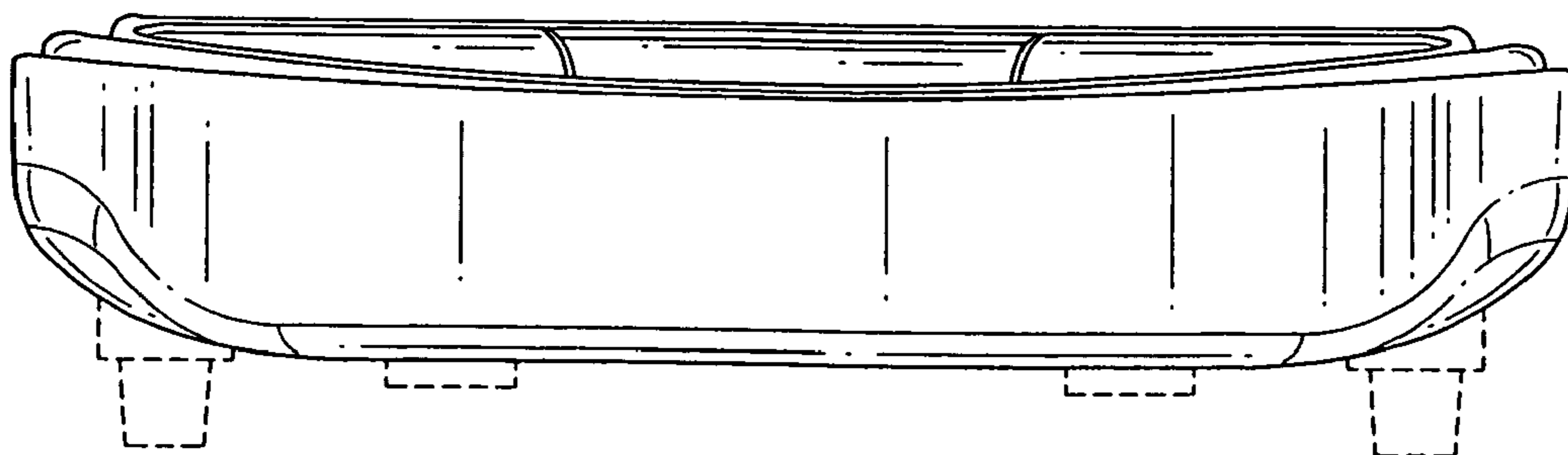


FIG. 5

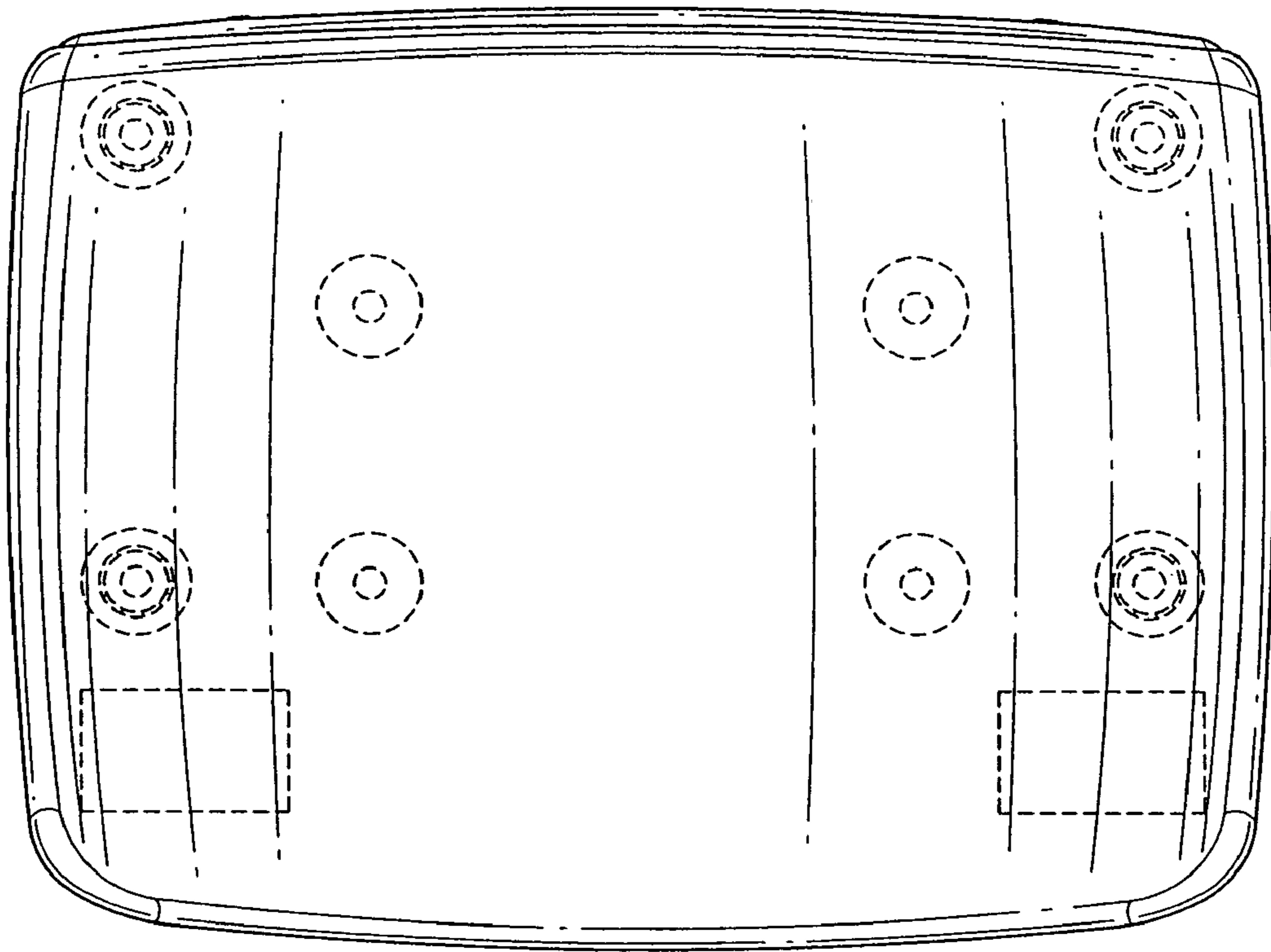


FIG. 6

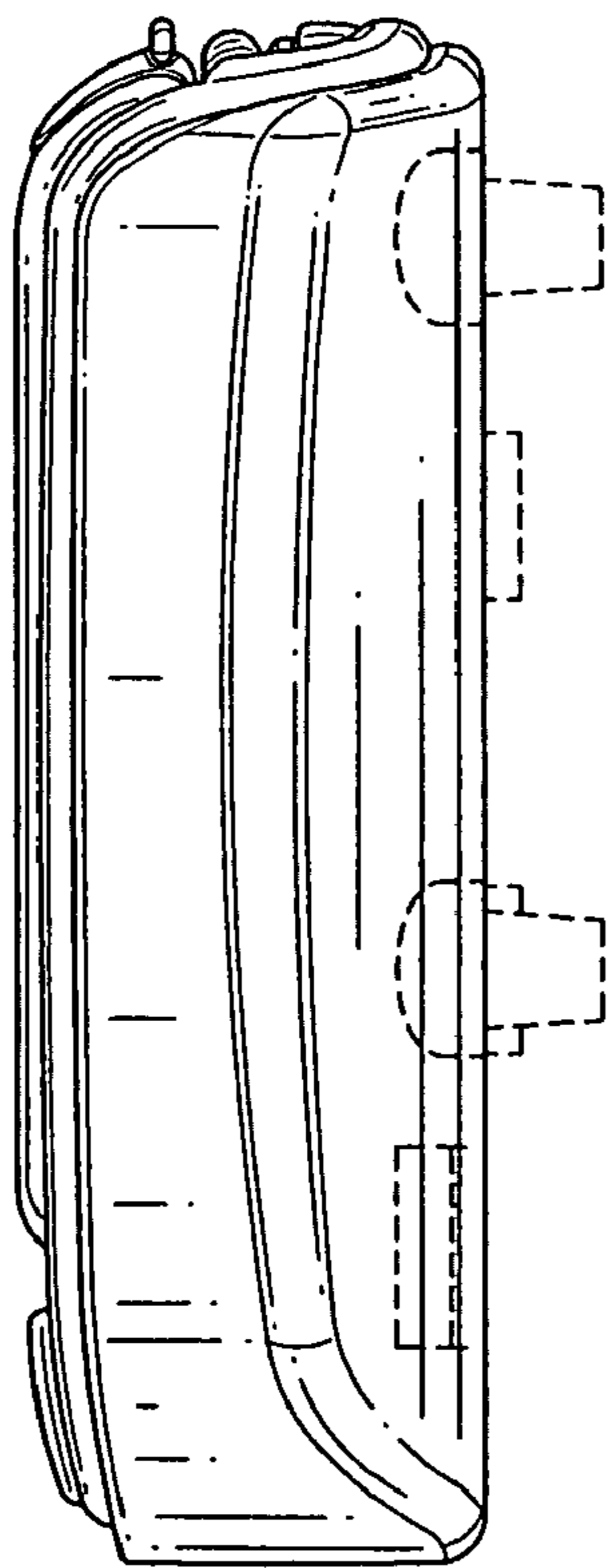


FIG. 7

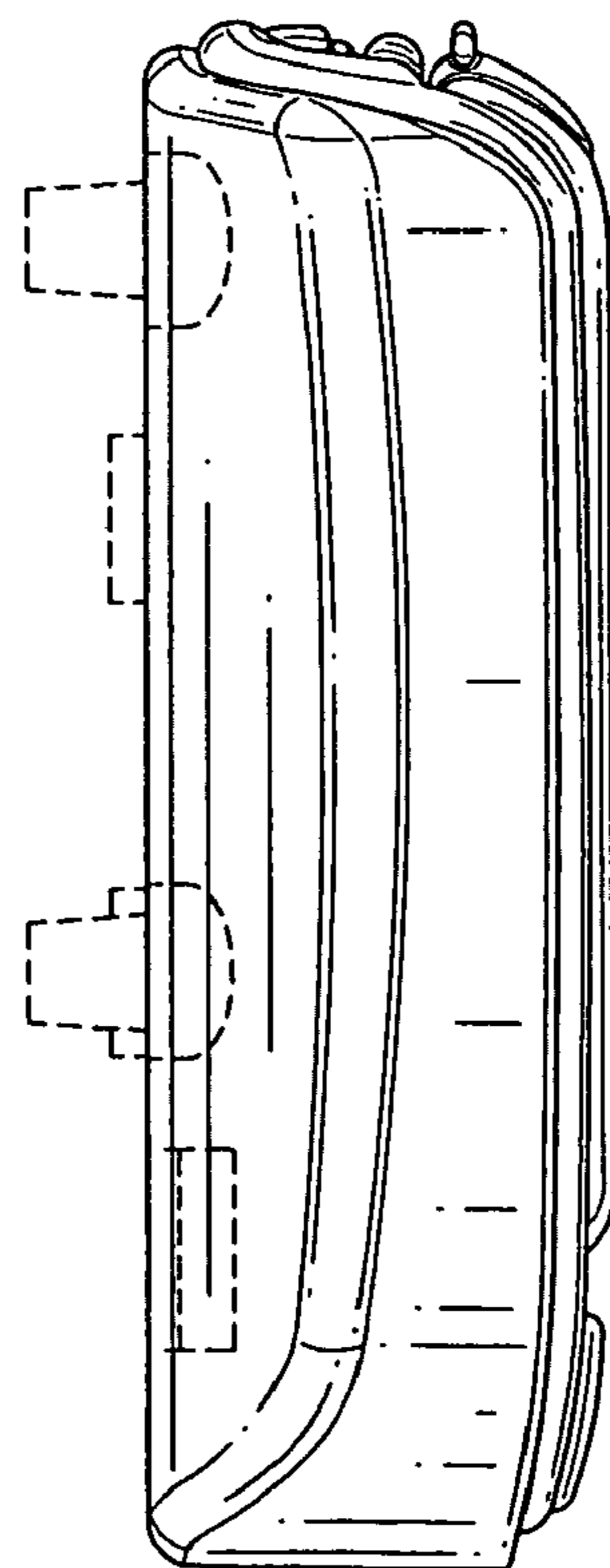


FIG. 8