



US00D564989S

(12) **United States Design Patent**  
**Kita**

(10) **Patent No.:** **US D564,989 S**  
(45) **Date of Patent:** **\*\* Mar. 25, 2008**

(54) **TELEVISION SET**

D372,026 S 7/1996 Akiyama et al.  
D373,583 S 9/1996 Akiyama et al.

(75) Inventor: **Toshiyuki Kita**, Osaka (JP)

(Continued)

(73) Assignee: **Sharp Kabushiki Kaisha**, Osaka (JP)

**OTHER PUBLICATIONS**

(\*\*) Term: **14 Years**

Fuji et al., entitled, "Television Set," U.S. Appl. No. 29/228,974, filed May 2, 2005, pending.

(21) Appl. No.: **29/261,803**

Kita, entitled, "Television Set," U.S. Appl. No. 29/229,686, filed May 11, 2005, pending.

(22) Filed: **Jun. 21, 2006**

Fuji et al., entitled, "Television Set," U.S. Appl. No. 29/228,975, filed May 2, 2005, pending.

(30) **Foreign Application Priority Data**

(Continued)

Dec. 22, 2005 (JP) ..... 2005-037850

*Primary Examiner*—Raphael Barkai

*Assistant Examiner*—Randall H Gholson

(51) **LOC (8) Cl.** ..... **14-03**

(74) *Attorney, Agent, or Firm*—Nixon & Vanderhye, PC

(52) **U.S. Cl.** ..... **D14/126**

(58) **Field of Classification Search** ..... D14/125–134,  
D14/239, 371, 136, 374–377; 312/7.2; 348/836,  
348/838, 180, 184, 325, 739; 341/12; 248/917–924,  
248/465, 123.11; 345/104, 133, 156, 168,  
345/87, 173, 169; 349/1, 2, 11, 62; 720/605,  
720/669, 600, 655, 99, 197; 455/344–347  
See application file for complete search history.

(57) **CLAIM**

The ornamental design for an "television set," as shown and described.

(56) **References Cited**

**DESCRIPTION**

**U.S. PATENT DOCUMENTS**

D337,113 S 7/1993 Saito  
D342,497 S 12/1993 Saito et al.  
D342,501 S 12/1993 Saeki et al.  
D351,155 S 10/1994 Usami et al.  
D351,156 S 10/1994 Usami et al.  
D357,244 S 4/1995 Usami et al.  
D357,245 S 4/1995 Usami et al.  
D357,472 S 4/1995 Usami et al.  
D369,596 S 5/1996 Akiyama et al.

FIG. 1 is a perspective view of a television set in accordance with my new design;

FIG. 2 is a front elevation view thereof;

FIG. 3 is a rear elevation view thereof;

FIG. 4 is a top plan view thereof;

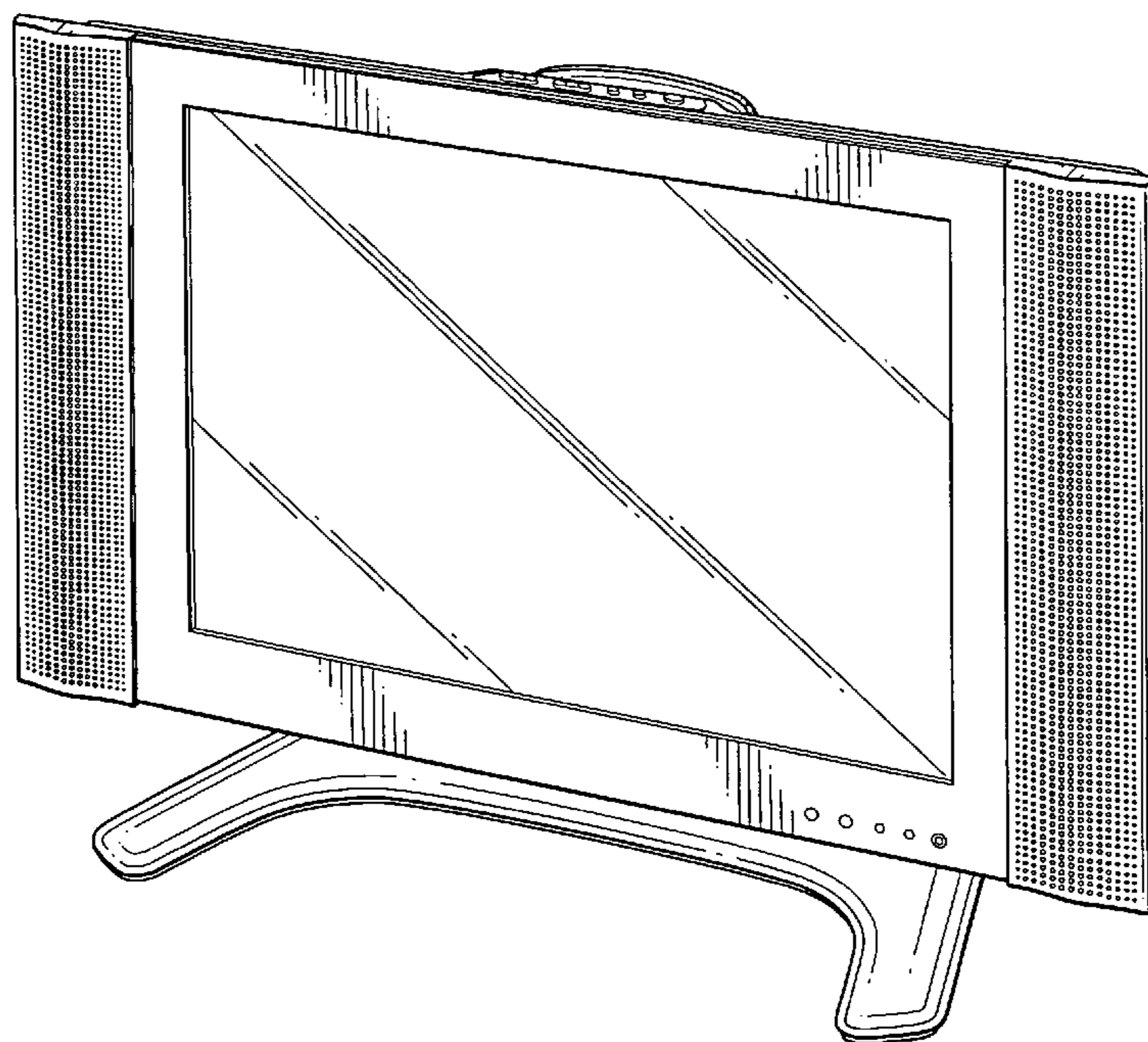
FIG. 5 is a bottom plan view thereof;

FIG. 6 is a right side elevational view thereof;

FIG. 7 is a left side elevational view thereof; and,

FIG. 8 is a rear perspective view thereof.

**1 Claim, 6 Drawing Sheets**



U.S. PATENT DOCUMENTS

D427,169 S	6/2000	Saeki et al.	
D429,227 S	8/2000	Shimizu	
D431,537 S	10/2000	Saeki et al.	
D438,848 S	3/2001	Kita	
D439,224 S	3/2001	Kita	
D439,225 S	3/2001	Kita	
D453,747 S	2/2002	Kita	
D453,748 S	2/2002	Kita	
D456,370 S	* 4/2002	Kita	..... D14/126
D458,910 S	6/2002	Kita	
D492,269 S	6/2004	Kita	
D496,915 S	10/2004	Kita	
D497,351 S	10/2004	Kita	
D497,599 S	10/2004	Kita	
D499,076 S	11/2004	Kita	
D501,186 S	1/2005	Kita	
D501,654 S	* 2/2005	Kita	..... D14/126
D502,451 S	3/2005	Kita	
D502,931 S	3/2005	Kita	
D505,123 S	5/2005	Kita	
D510,731 S	10/2005	Kita	
D512,385 S	12/2005	Kita	
D512,386 S	12/2005	Kita	
D512,387 S	12/2005	Kita	
D541,240 S	* 4/2007	Kita	..... D14/126
D541,775 S	* 5/2007	Kita	..... D14/126
D543,519 S	* 5/2007	Kita	..... D14/126

OTHER PUBLICATIONS

Kita, entitled, "Television Set," U.S. Appl. No. 29/232,697, filed Jun. 23, 2005, pending.  
 Kita, entitled, "Television Set," U.S. Appl. No. 29/232,616, filed Jun. 22, 2005, pending.  
 Kita, entitled, "Television Set," U.S. Appl. No. 29/232,622, filed Jun. 22, 2005, pending.  
 Kita, entitled, "Television Set," U.S. Appl. No. 29/232,620, filed Jun. 22, 2005, pending.  
 Kita, entitled, "Television Set," U.S. Appl. No. 29/232,607, filed Jun. 22, 2005, pending.  
 Kita, entitled, "Television Set," U.S. Appl. No. 29/232,621, filed Jun. 22, 2005, pending.  
 Kita, entitled, "Television Set," U.S. Appl. No. 29/232,614, filed Jun. 22, 2005, pending.  
 Totsuka, entitled, "Television Set," U.S. Appl. No. 29/245,754, filed Dec. 29, 2005, pending.

Kita, entitled, "Television Set," U.S. Appl. No. 29/243,346, filed Nov. 23, 2005, pending.  
 Kita, entitled, "Television Set," U.S. Appl. No. 29/243,348, filed Nov. 23, 2005, pending.  
 Kita, entitled, "Television Set," U.S. Appl. No. 29/243,347, filed Nov. 23, 2005, pending.  
 Kita, entitled, "Television Set," U.S. Appl. No. 29/243,703, filed Nov. 30, 2005, pending.  
 Kita, entitled, "Television Set," U.S. Appl. No. 29/243,704, filed Nov. 30, 2005, pending.  
 Kita, entitled, "Television Set," U.S. Appl. No. 29/243,707, filed Nov. 30, 2005, pending.  
 Kita, entitled, "Television Set," U.S. Appl. No. 29/245,015, filed Dec. 19, 2005, pending.  
 Kita, entitled, "Television Set," U.S. Appl. No. 29/253,456, filed Feb. 8, 2006, pending.  
 Kita, entitled, "Television Set," U.S. Appl. No. 29/243,350, filed Nov. 23, 2005, pending.  
 Kita, entitled, "Externally Exposed Surfaces of a Speaker for a Television Set," U.S. Appl. No. 29/243,705, filed Nov. 30, 2005, pending.  
 Kita, entitled, "Television Set," U.S. Appl. No. 29/253,455, filed Feb. 8, 2006, pending.  
 Kita, entitled, "Television Set," U.S. Appl. No. 29/261,811, filed Jun. 21, 2006, pending.  
 Kita, entitled, "Television Set," U.S. Appl. No. 29/261,807, filed Jun. 21, 2006, pending.  
 Kita, entitled, "Television Set," U.S. Appl. No. 29/261,813, filed Jun. 21, 2006, pending.  
 Kita, entitled, "Television Set," U.S. Appl. No. 29/260,910, filed Jun. 21, 2006, pending.  
 Kita, entitled, "Television Set," U.S. Appl. No. 29/261,815, filed Jun. 21, 2006, pending.  
 Kita, entitled, "Television Set," U.S. Appl. No. 29/261,810, filed Jun. 21, 2006, pending.  
 Kita, entitled, "Television Set," U.S. Appl. No. 29/261,805, filed Jun. 21, 2006, pending.  
 Kita, entitled, "Television Set," U.S. Appl. No. 29/261,804, filed Jun. 21, 2006, pending.  
 Kita, entitled, "Television Set," U.S. Appl. No. 29/261,801, filed Jun. 21, 2006, pending.  
 Kita, entitled, "Television Set," U.S. Appl. No. 29/261,802, filed Jun. 21, 2006, pending.  
 Inuma et al., entitled, "Television Set," U.S. Appl. No. 29/261,809, filed Jun. 21, 2006, pending.

\* cited by examiner

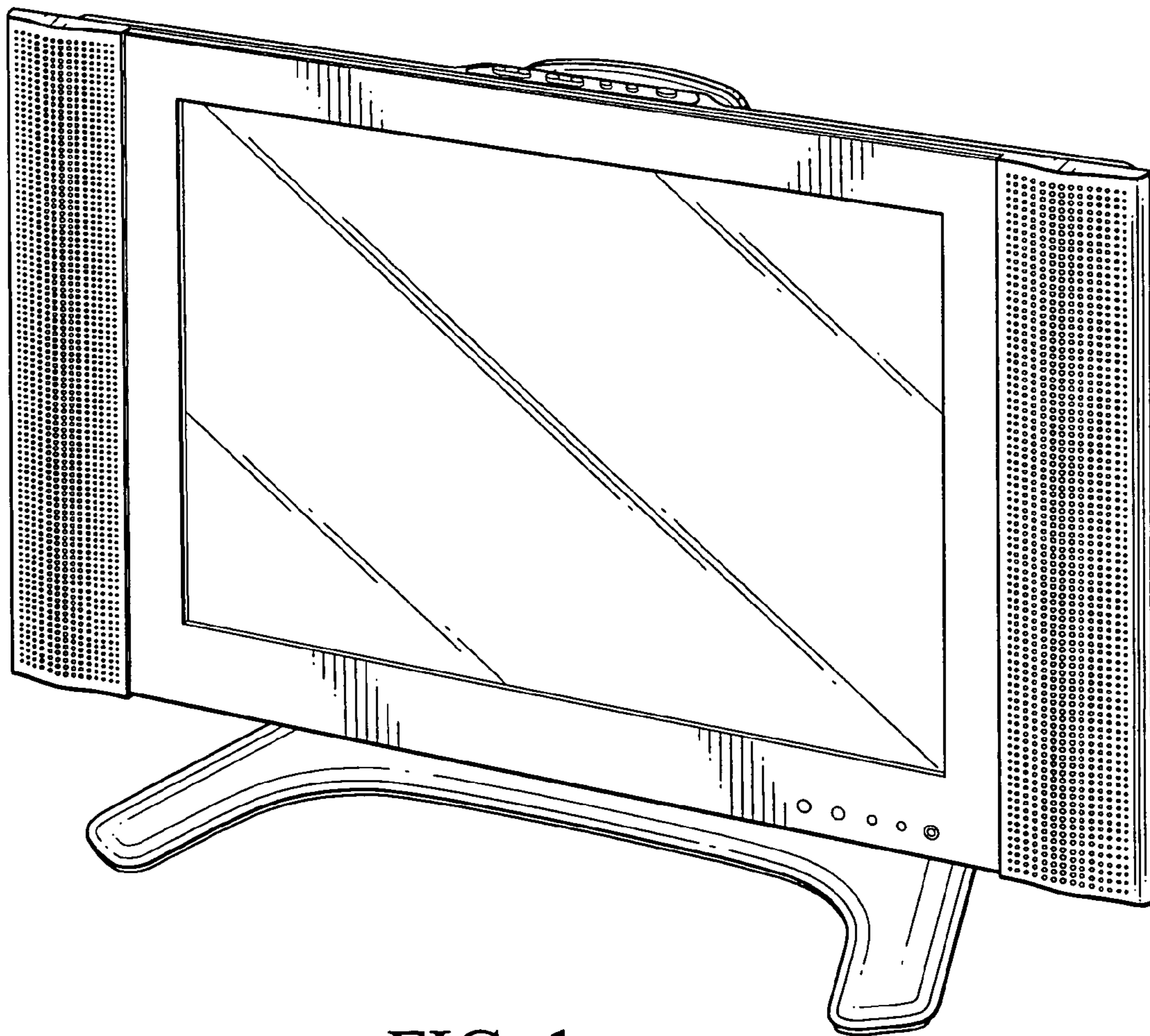


FIG. 1

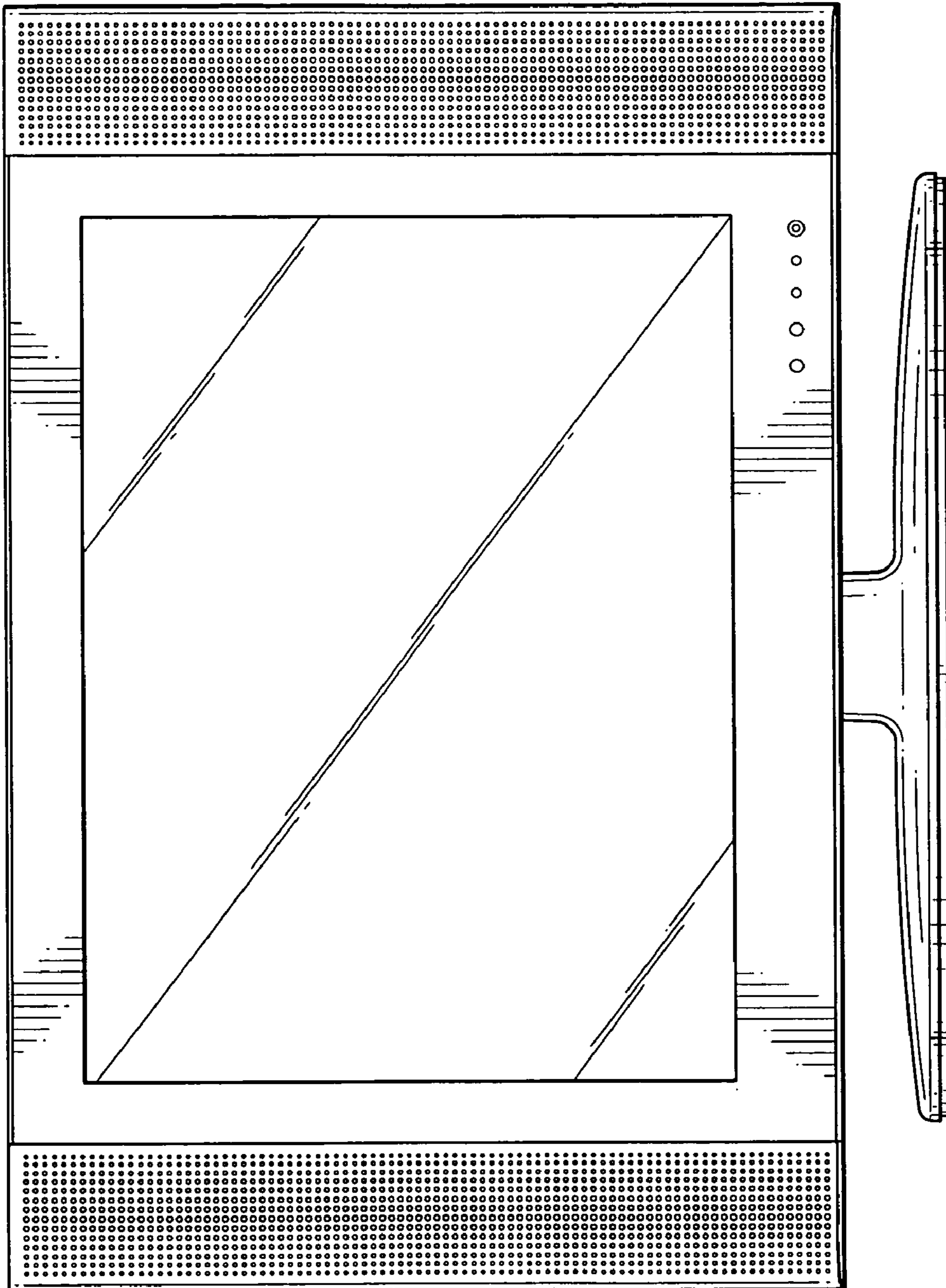


FIG. 2

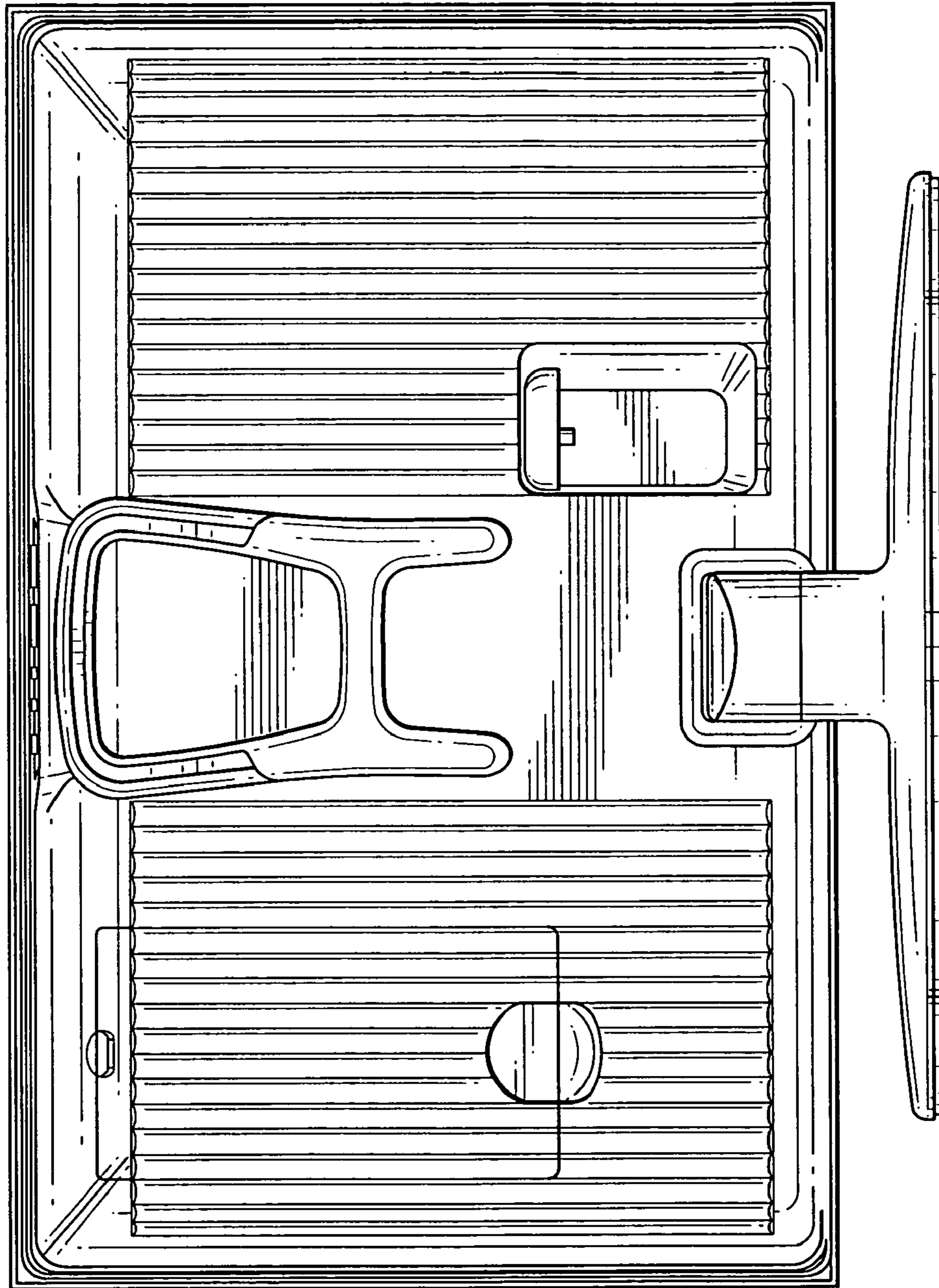


FIG. 3

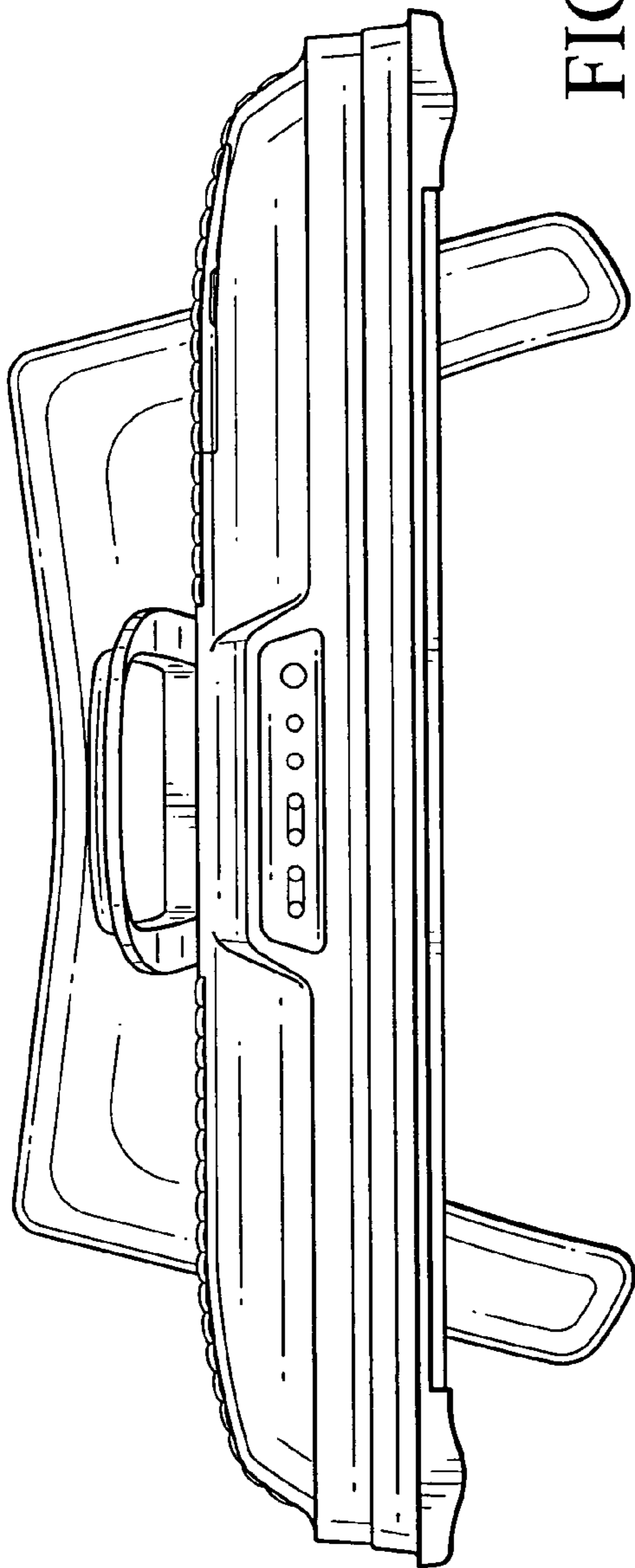


FIG. 4

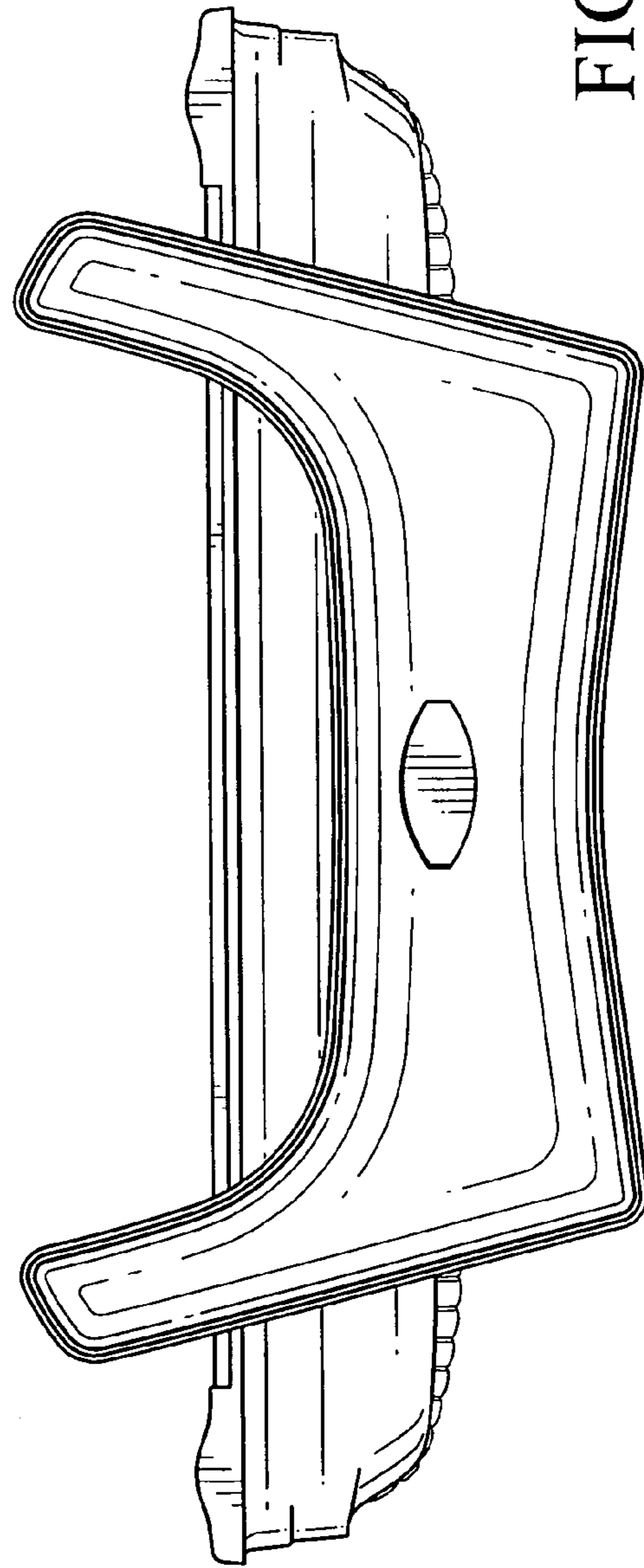


FIG. 5

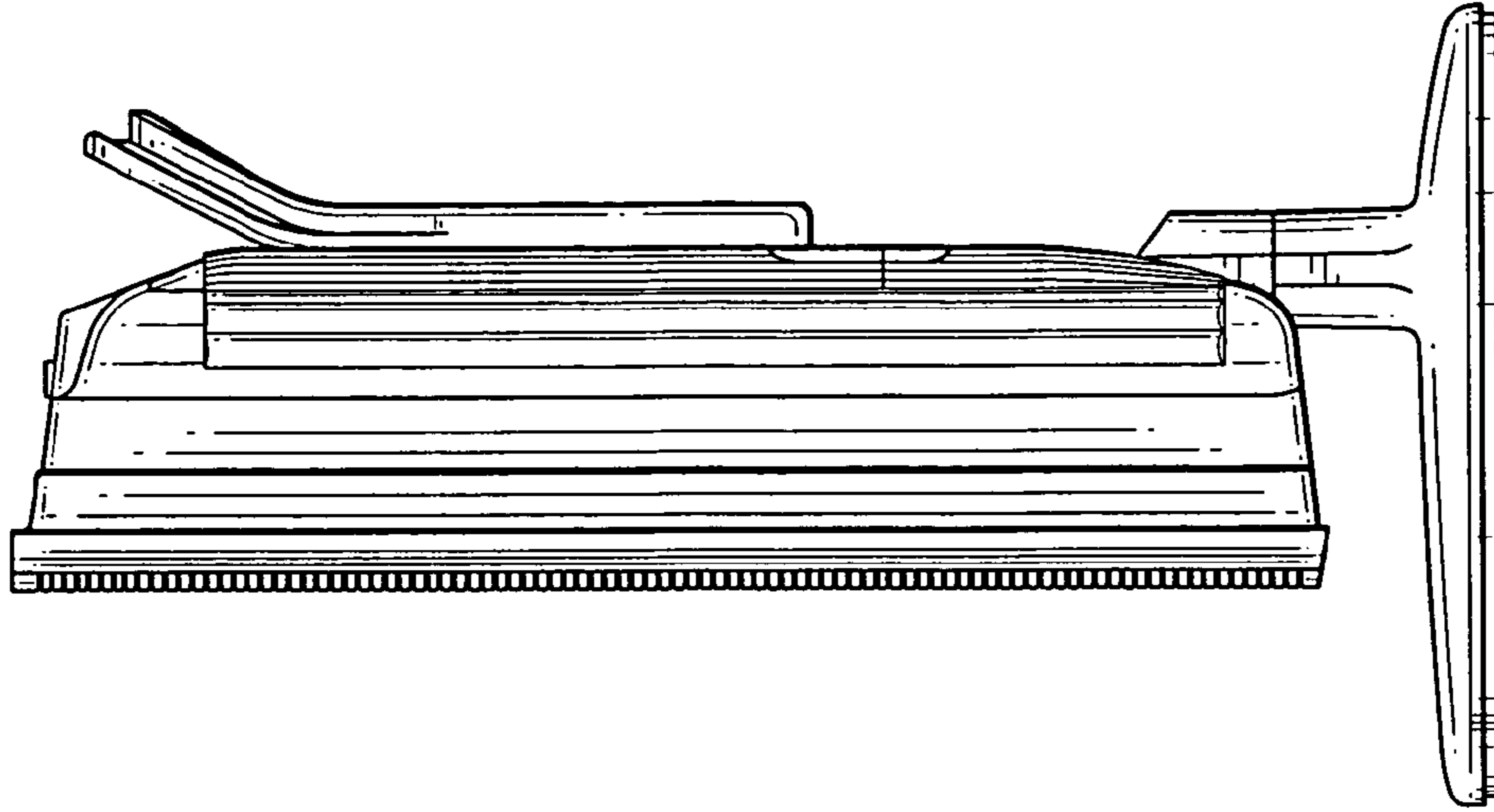


FIG. 7

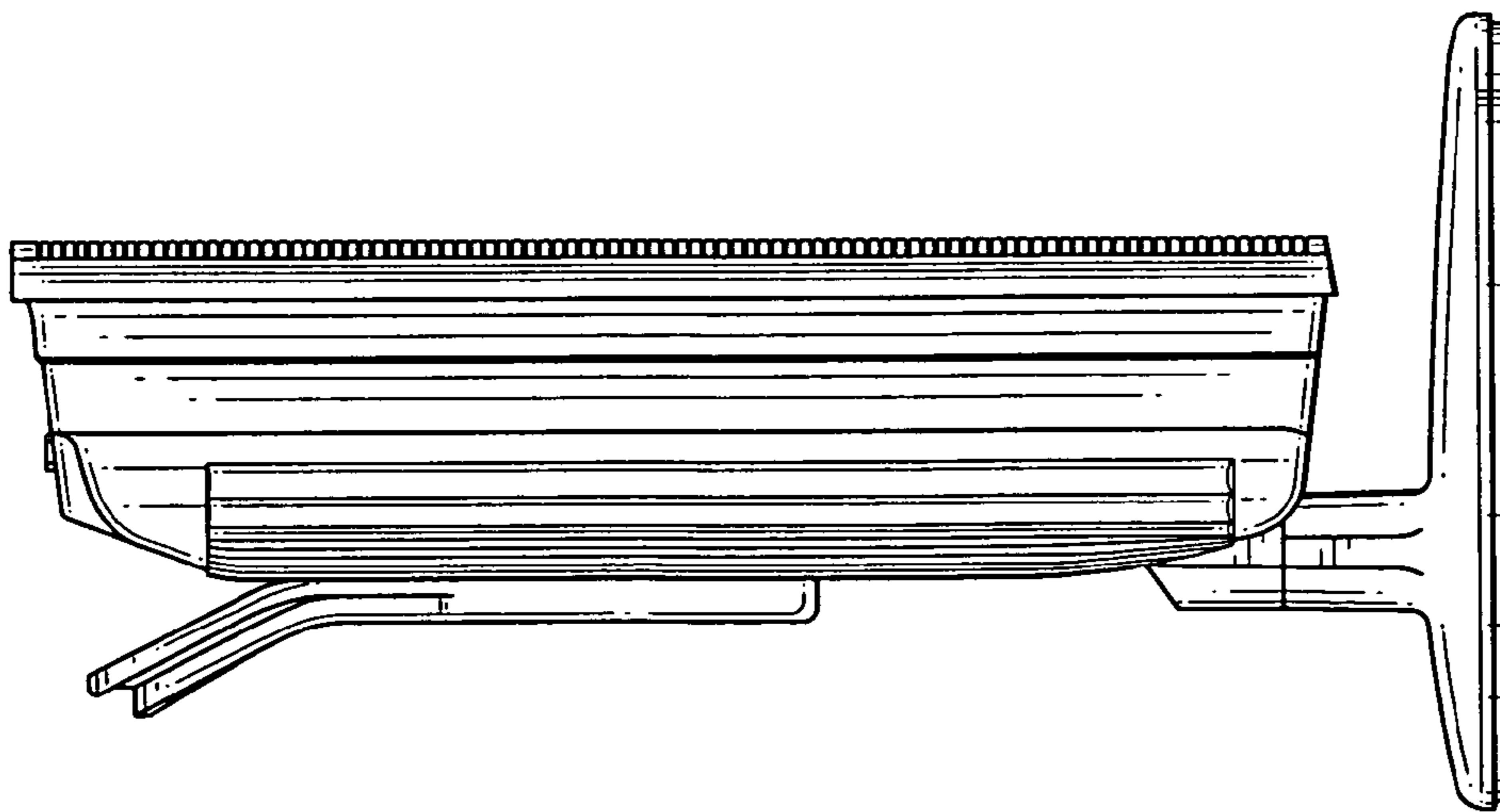


FIG. 6

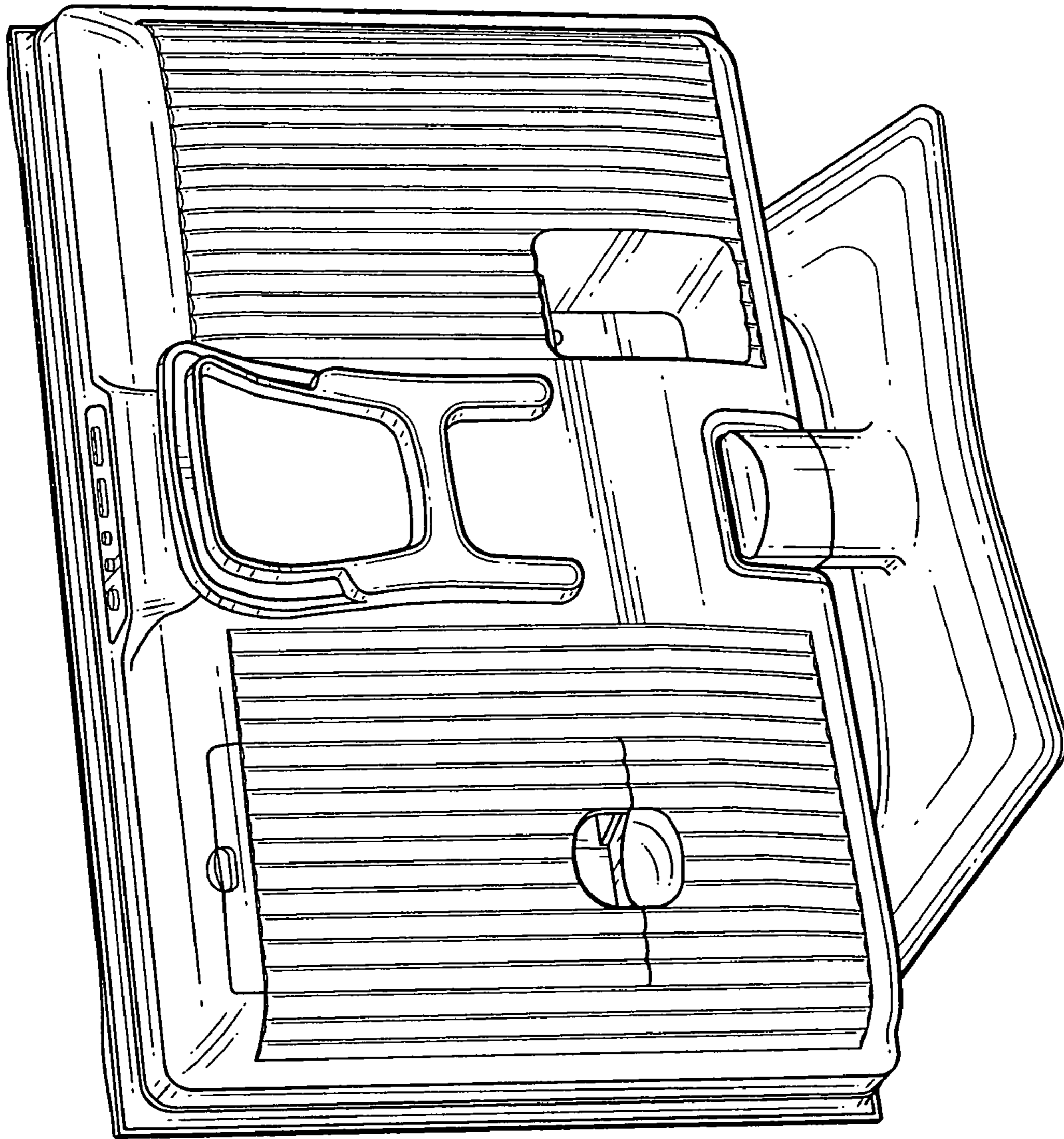


FIG. 8