



US00D564987S

(12) **United States Design Patent**
Shimizu et al.

(10) **Patent No.:** **US D564,987 S**
(45) **Date of Patent:** **** Mar. 25, 2008**

(54) **TELEVISION RECEIVER**

(75) Inventors: **Machiko Shimizu**, Mitaka (JP);
Takashi Yamamoto, Kodaira (JP);
Kazumi Matsumoto, Kokubunji (JP);
Minoru Ikeda, Inagi (JP); **Hidemi Yamada**,
Yokohama (JP); **Yutaka Yamada**,
Yokohama (JP)

(73) Assignee: **Hitachi, Ltd.**, Tokyo (JP)

(**) Term: **14 Years**

(21) Appl. No.: **29/260,596**

(22) Filed: **May 30, 2006**

(30) **Foreign Application Priority Data**

Nov. 30, 2005 (JP) 2005-035205

(51) **LOC (8) Cl.** **14-03**

(52) **U.S. Cl.** **D14/126**

(58) **Field of Classification Search** D14/125-134,
D14/239, 371, 136, 374-377; 312/7.2; 348/836,
348/838, 180, 184, 325, 739; 341/12; 248/917-924,
248/465, 123.11; 345/104, 133, 156, 168,
345/87, 173, 169; 349/1, 2, 11, 62; 720/605,
720/669, 600, 655, 99, 197; 455/344-347
See application file for complete search history.

(56) **References Cited**

U.S. PATENT DOCUMENTS

D463,431 S * 9/2002 Yamamoto et al. D14/374

D471,194 S * 3/2003 Huang D14/375
D475,356 S * 6/2003 Niitsu D14/126
D486,456 S * 2/2004 Fujiki D14/126
D488,451 S * 4/2004 Niitsu D14/126
D541,775 S * 5/2007 Kita D14/126
D548,205 S * 8/2007 Kim et al. D14/126
D549,673 S * 8/2007 Niitsu D14/126
D549,674 S * 8/2007 Lee et al. D14/126
2004/0021835 A1 * 2/2004 Yamada et al. 353/74

* cited by examiner

Primary Examiner—Raphael Barkai

Assistant Examiner—Randall H Gholson

(74) *Attorney, Agent, or Firm*—Antonelli, Terry, Stout & Kraus, LLP.

(57) **CLAIM**

We claim the ornamental design for a television receiver, as shown.

DESCRIPTION

FIG. 1 is a front, top and right side perspective view of television receiver showing our new design;

FIG. 2 is a front elevational view thereof;

FIG. 3 is a top plan view thereof;

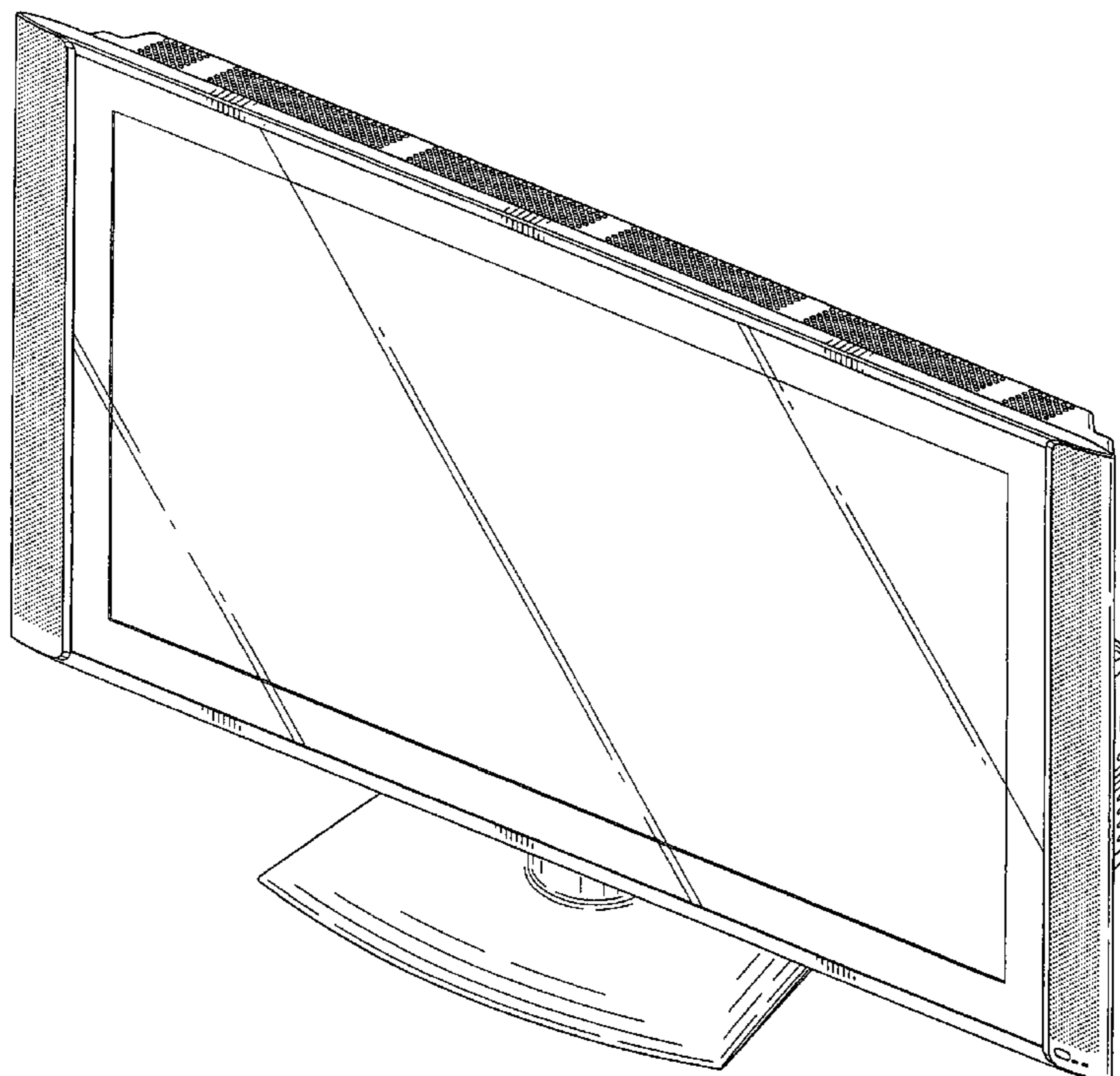
FIG. 4 is a bottom plan view thereof;

FIG. 5 is a left side elevational view thereof;

FIG. 6 is a right side elevational view thereof; and,

FIG. 7 is a rear elevational view thereof.

1 Claim, 5 Drawing Sheets



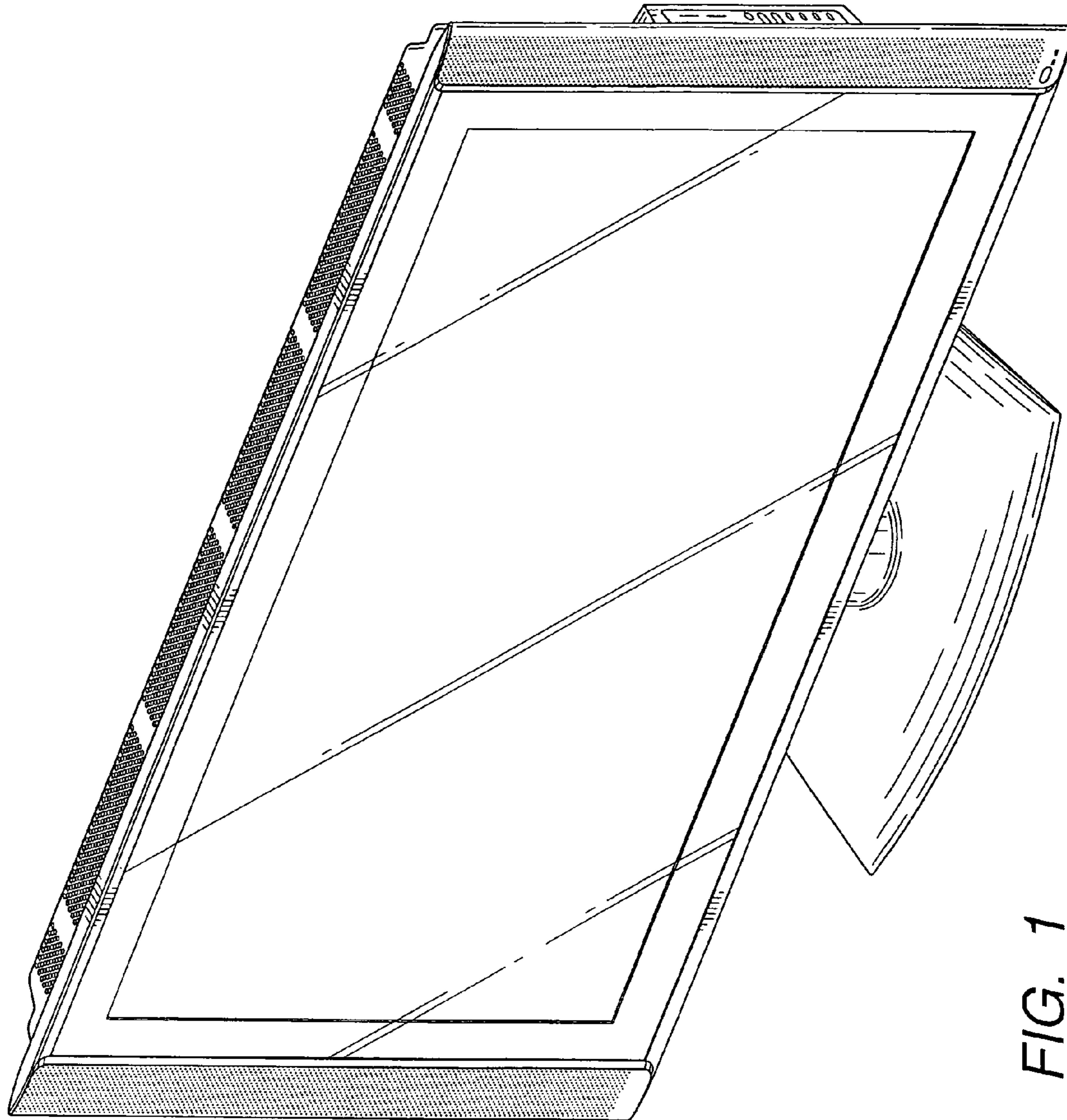


FIG. 1

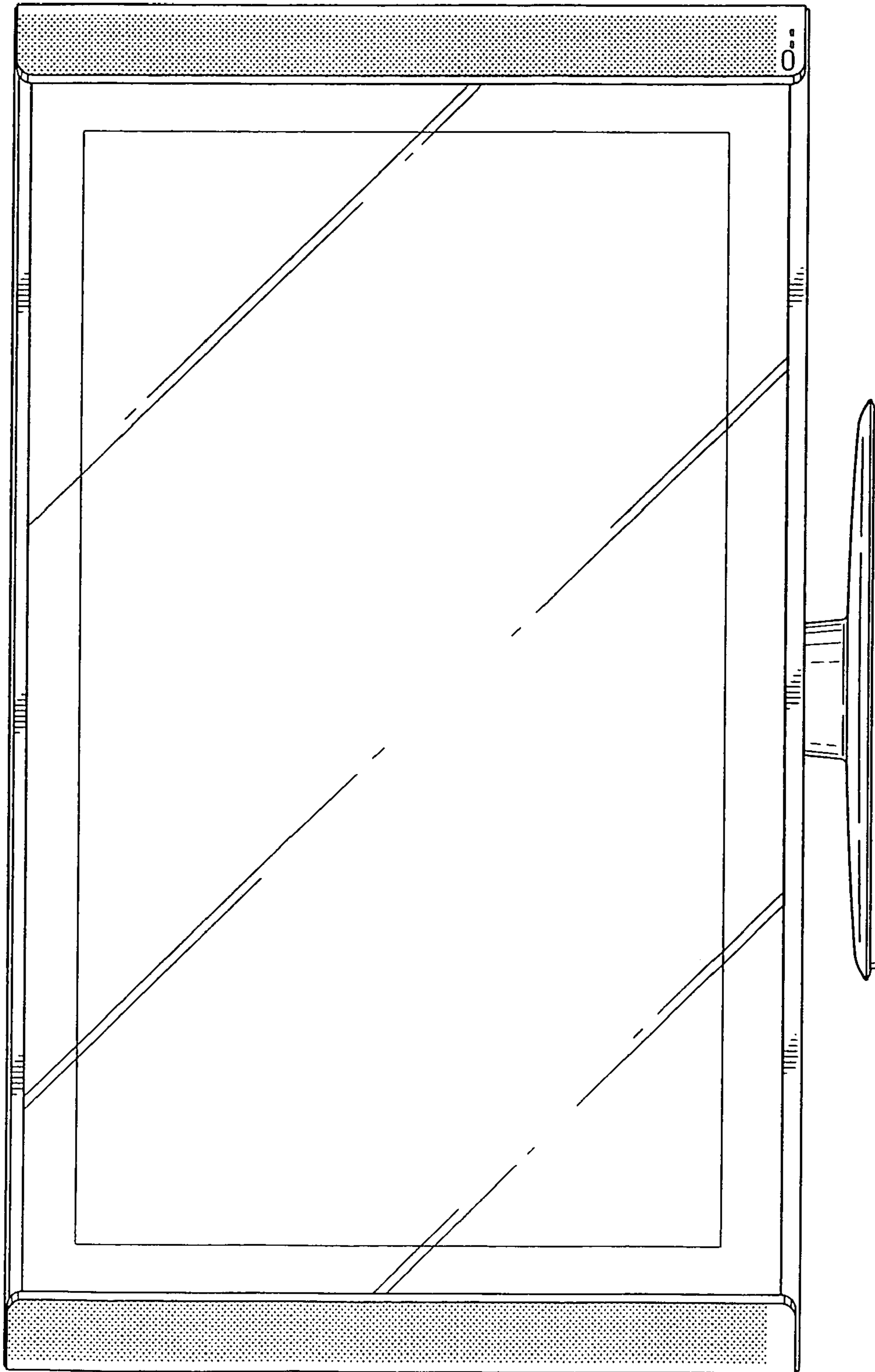


FIG. 2

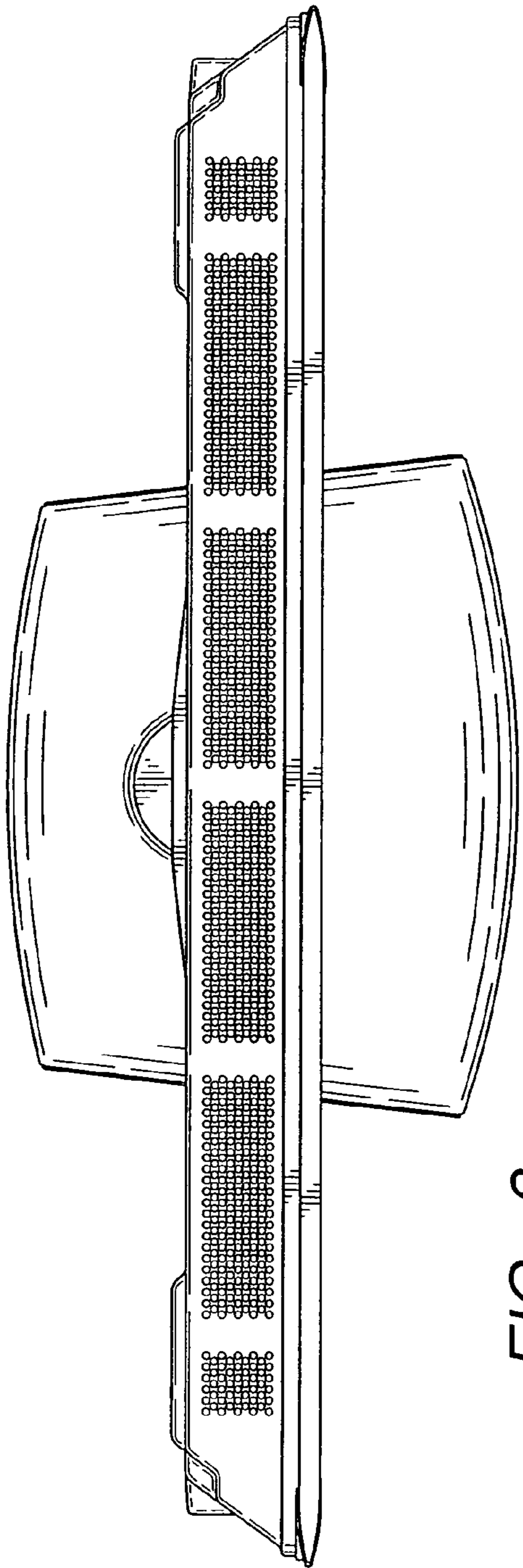


FIG. 3

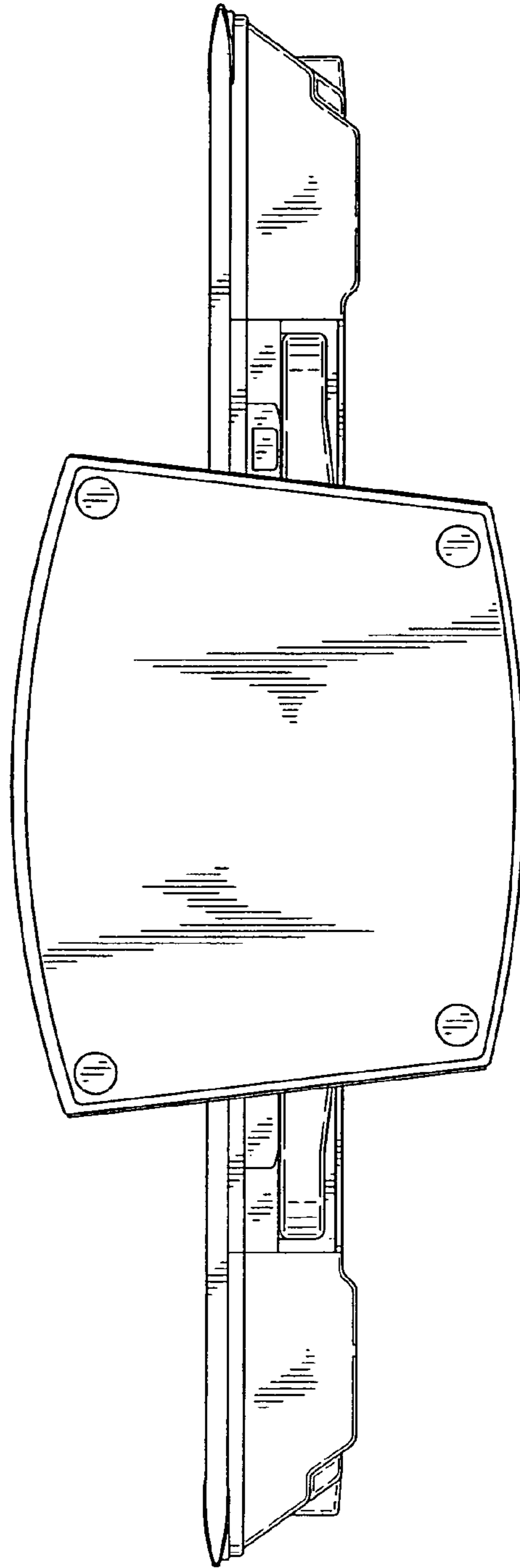


FIG. 4

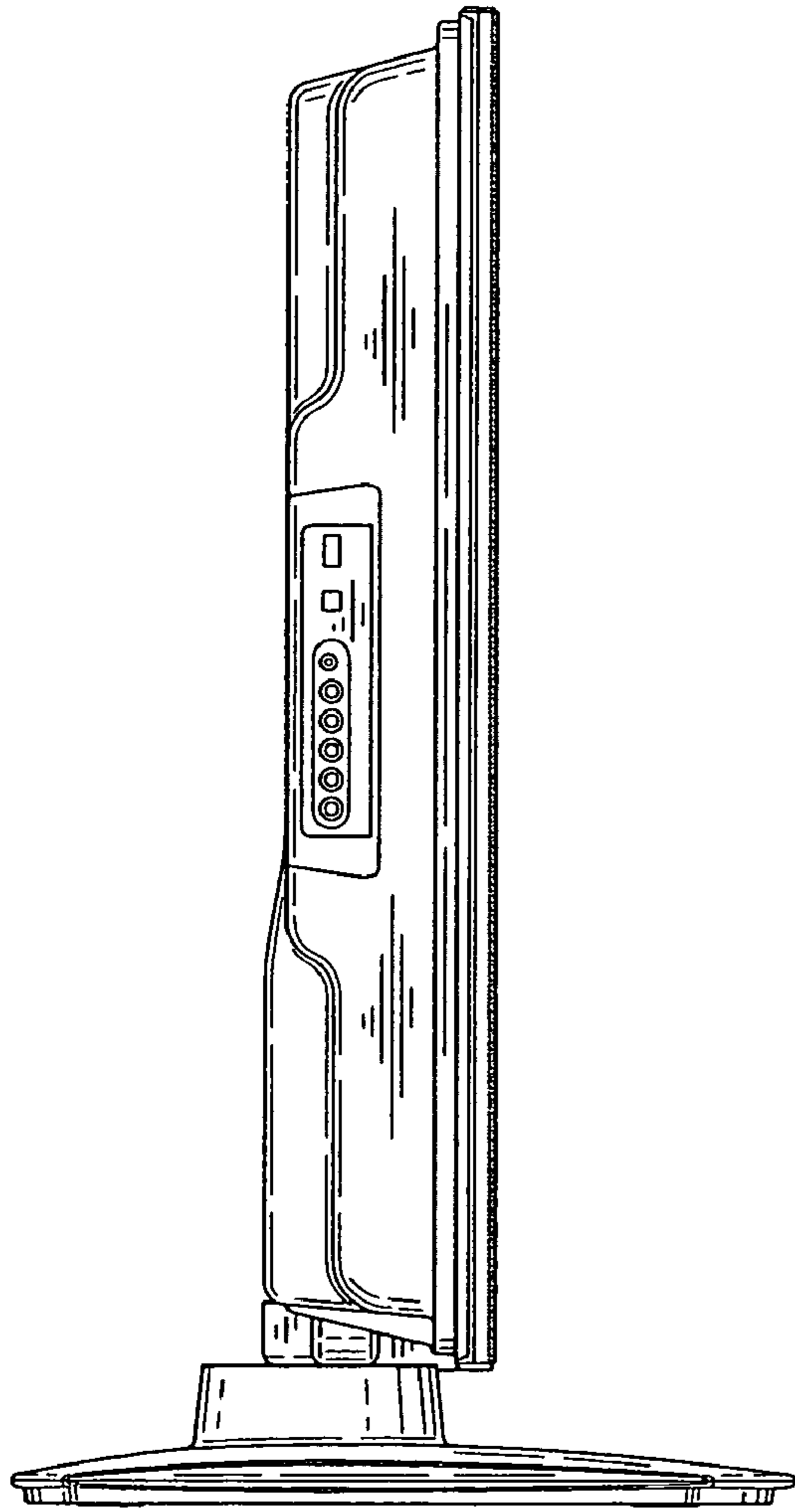


FIG. 5

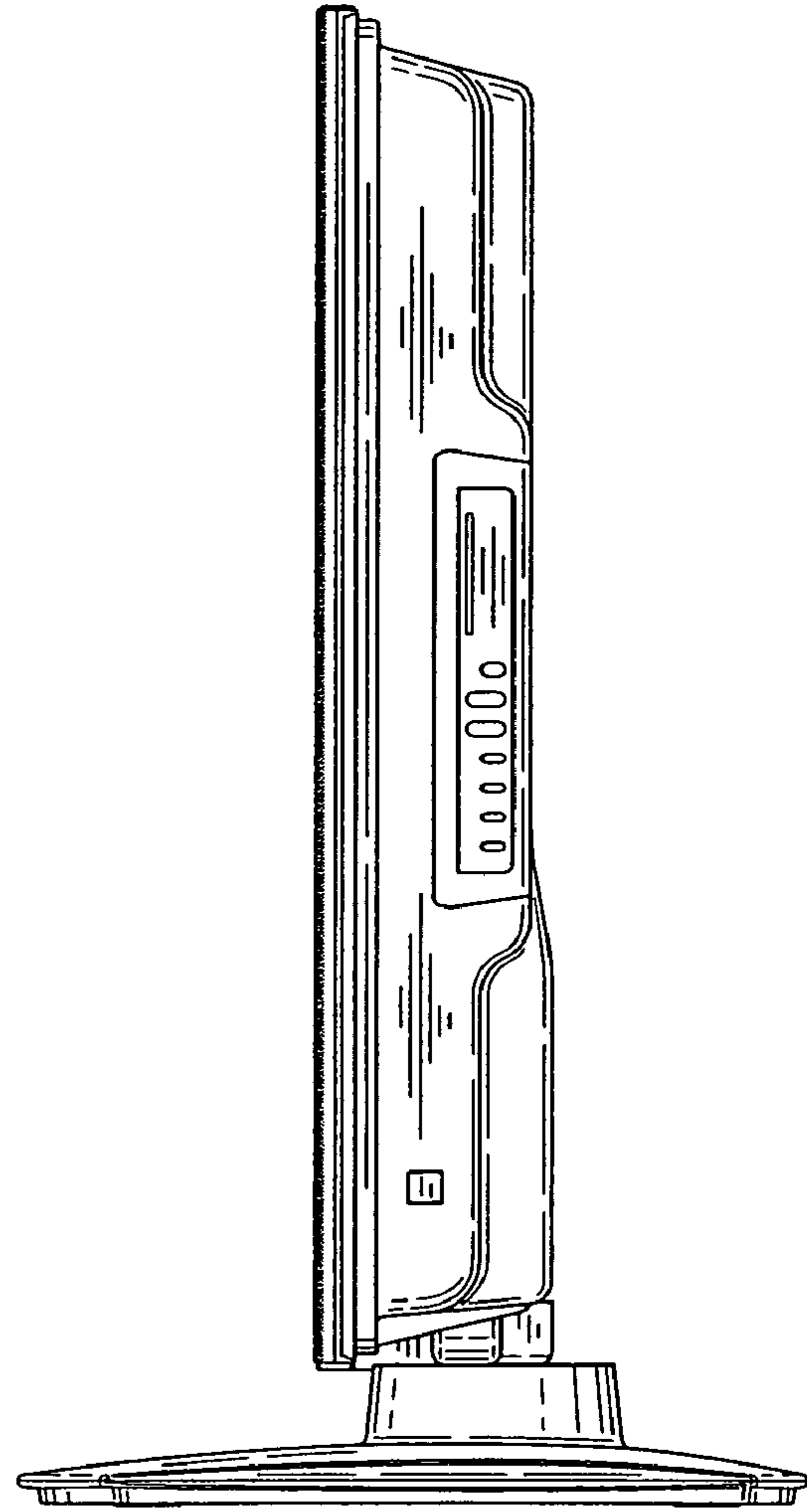


FIG. 6

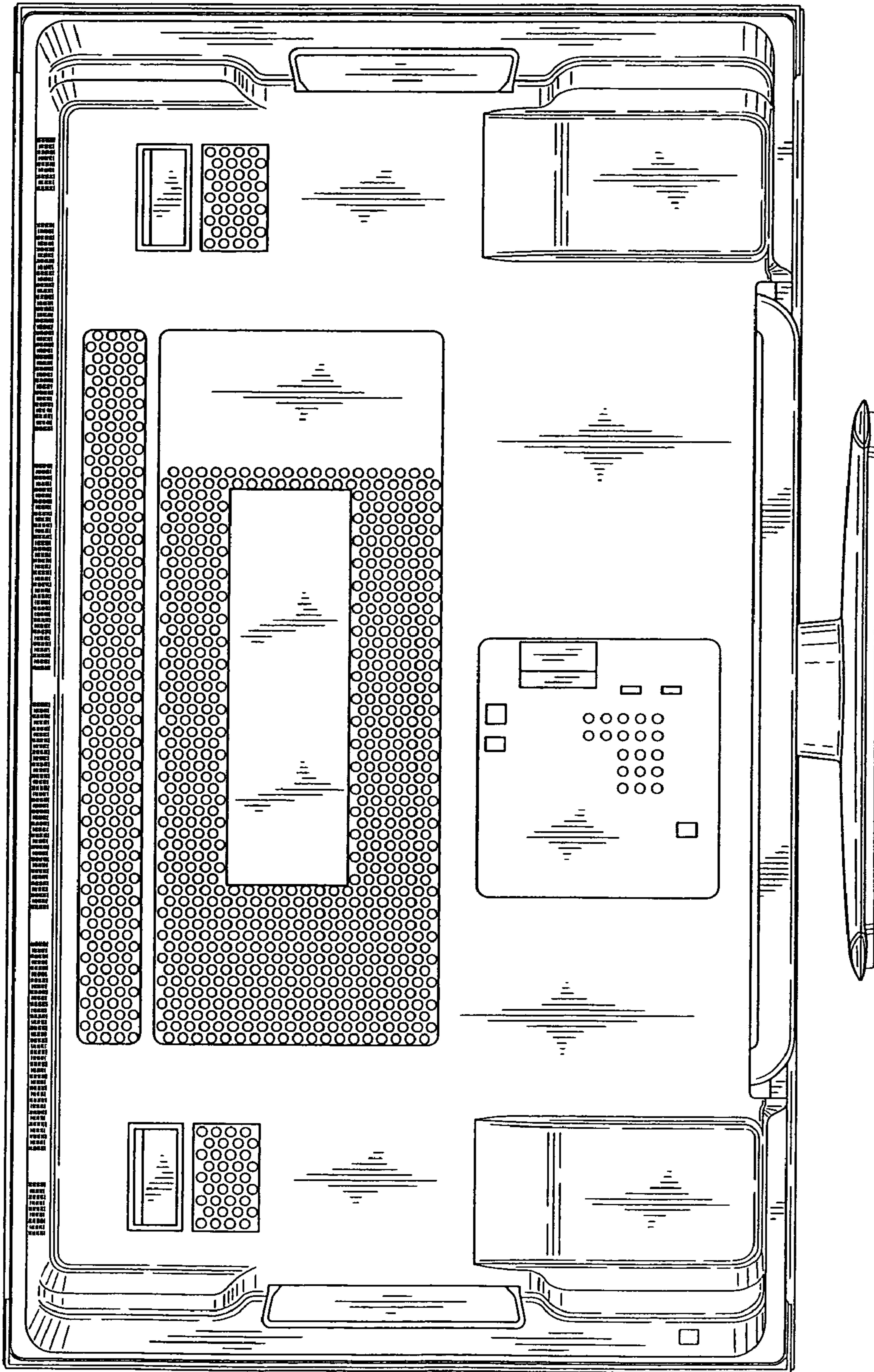


FIG. 7