



US00D564983S

(12) **United States Design Patent**
Johnson

(10) **Patent No.:** **US D564,983 S**

(45) **Date of Patent:** **** Mar. 25, 2008**

(54) **MAGNETIC HOLDER FOR A TOOL**

(76) **Inventor:** **Steven Johnson**, 56795 Aberdeen Dr.,
Shelby Township, MI (US) 48316

(**) **Term:** **14 Years**

(21) **Appl. No.:** **29/247,504**

(22) **Filed:** **Jun. 22, 2006**

(51) **LOC (8) Cl.** **13-99**

(52) **U.S. Cl.** **D13/183; D8/70**

(58) **Field of Classification Search** D8/70,
D8/81, 82, 87, 104, 107, 499, 61; D13/183;
D12/187; D11/200-231; 81/125; 206/379;
224/183; 468/238; 446/129; 211/70.6

See application file for complete search history.

(56) **References Cited**

U.S. PATENT DOCUMENTS

3,228,720	A	1/1966	Jordan	
5,056,661	A	10/1991	Balzano	
D338,583	S *	8/1993	Esposito, Jr.	D6/534
D357,166	S *	4/1995	Concari	D8/107
5,544,747	A	8/1996	Horn	
D396,177	S *	7/1998	Schultz	D8/68
D413,053	S *	8/1999	Mashine et al.	D8/29.1
5,954,458	A *	9/1999	Lee	408/16
D426,126	S *	6/2000	Schultz	D8/68
6,401,253	B2	6/2002	Brunson	

6,496,094	B2	12/2002	May, III	
D468,617	S *	1/2003	Wang	D8/107
D472,221	S *	3/2003	Mayo et al.	D13/171
D482,588	S *	11/2003	Lai	D8/107
D485,151	S *	1/2004	Lee	D8/107
D496,572	S *	9/2004	Lammers et al.	D8/61
6,910,578	B2	6/2005	Stern	
6,959,465	B1	11/2005	Foster	
D529,244	S *	9/2006	Main	D32/19

* cited by examiner

Primary Examiner—Joel A. Sincavage

Assistant Examiner—Anna K Dworzecka

(74) *Attorney, Agent, or Firm*—Howard & Howard
Attorneys, P.C.

(57) **CLAIM**

The ornamental design for a magnetic holder for a tool, as shown and described.

DESCRIPTION

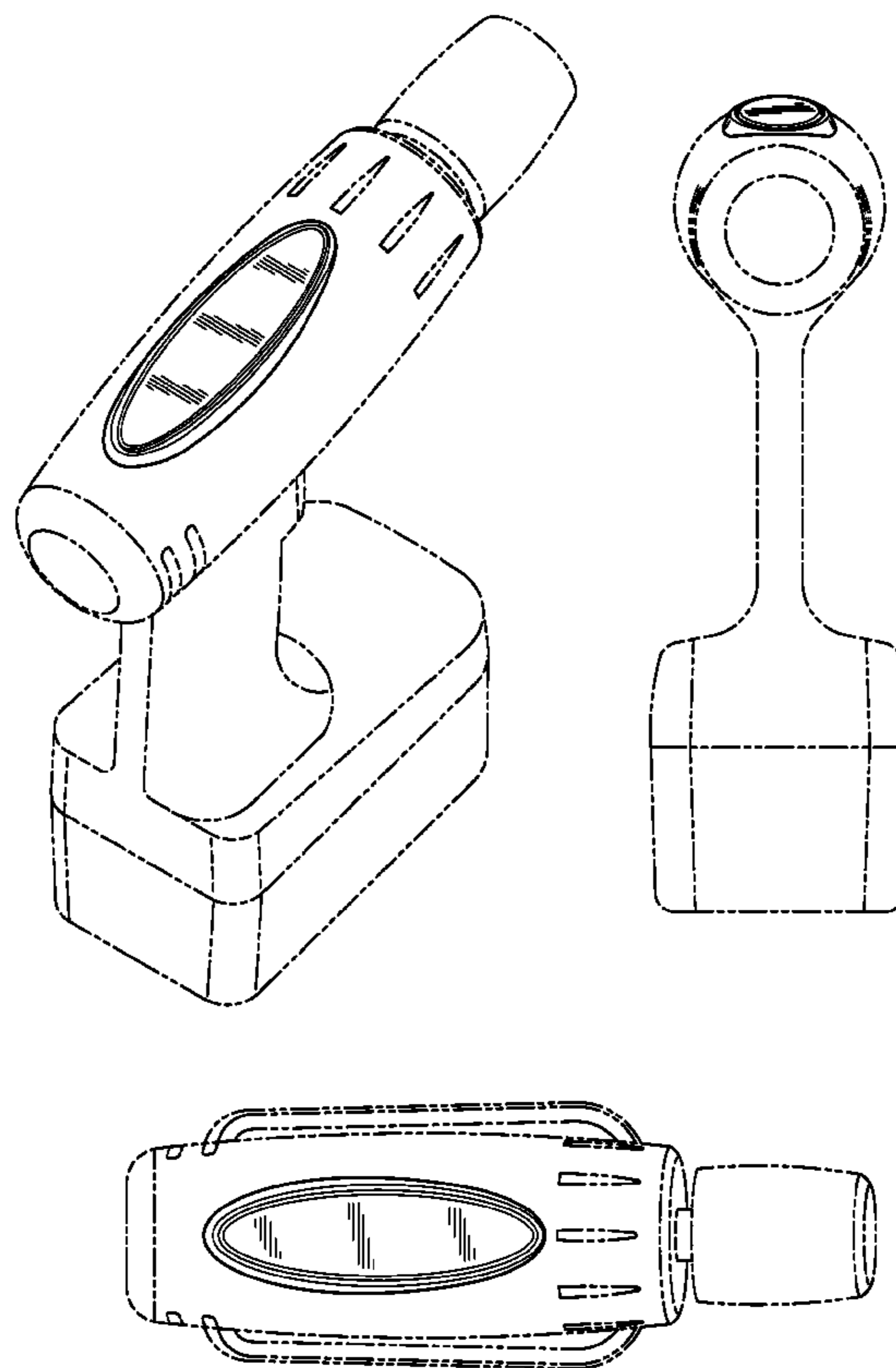
FIG. 1 is a perspective view of a magnetic holder disposed on a top of a tool,

FIG. 2 is a rear view; and,

FIG. 3 is a top plan view.

The phantom lines are environmental only and form no part of the claimed design.

1 Claim, 1 Drawing Sheet



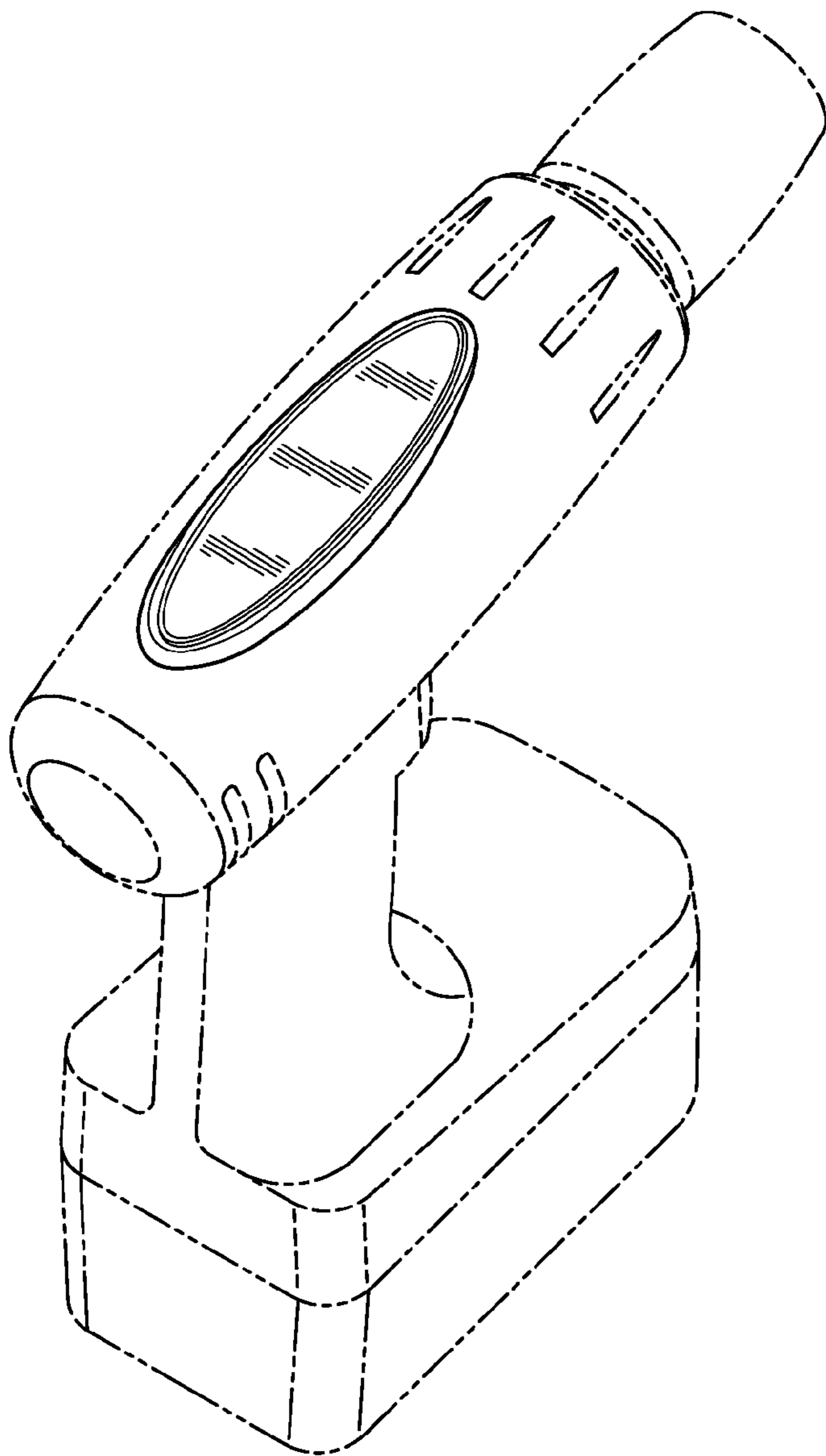


Figure 1

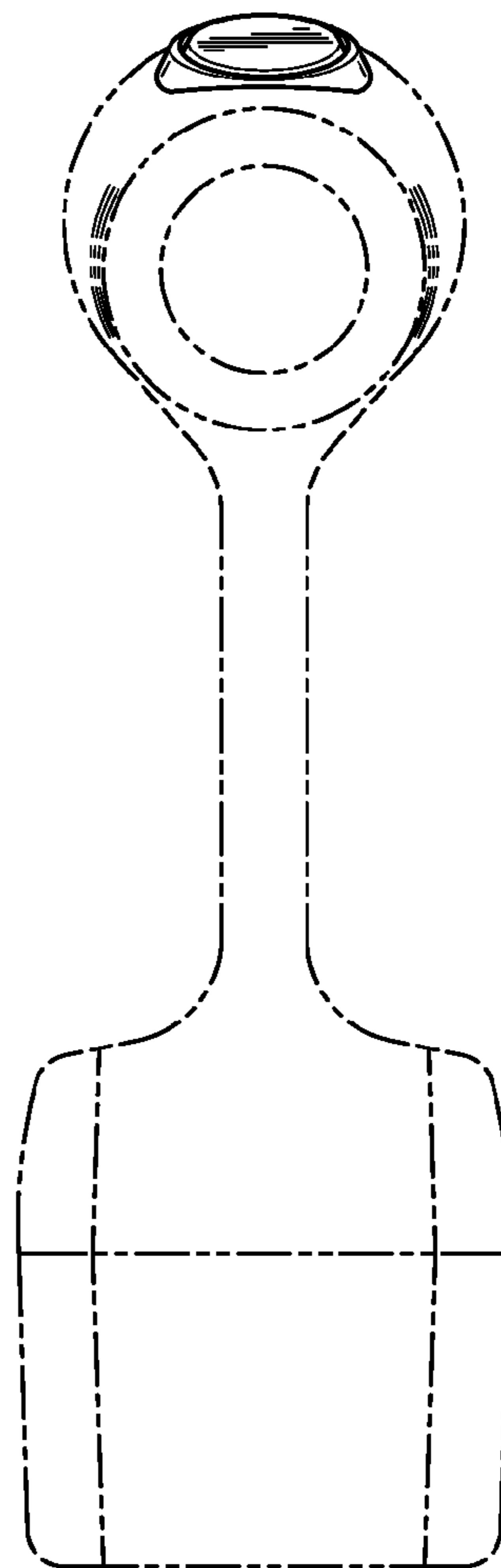


Figure 2

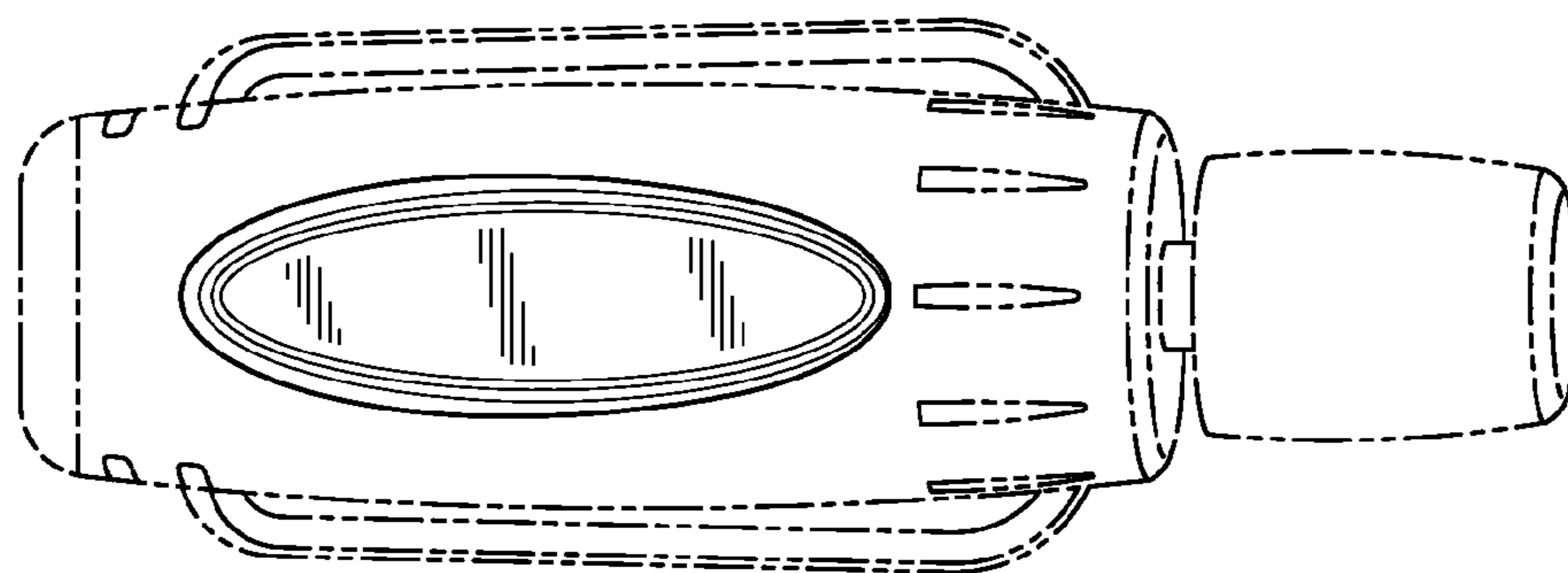


Figure 3