

US00D564982S

(12) **United States Design Patent**
Johnson

(10) **Patent No.:** **US D564,982 S**

(45) **Date of Patent:** **** *Mar. 25, 2008**

(54) **PAIR OF MAGNETIC HOLDERS FOR A TOOL**

(76) Inventor: **Steven Johnson**, 56795 Aberdeen Dr.,
Shelby Township, MI (US) 48316

(*) Notice: This patent is subject to a terminal disclaimer.

(**) Term: **14 Years**

(21) Appl. No.: **29/247,503**

(22) Filed: **Jun. 22, 2006**

(51) **LOC (8) Cl.** **13-99**

(52) **U.S. Cl.** **D13/183; D8/70**

(58) **Field of Classification Search** D8/70,
D8/81, 82, 87, 104, 107, 499, 61; D13/183;
D12/187; D11/200-231; 81/125; 206/379;
224/183; 468/238; 446/129; 211/70.6
See application file for complete search history.

(56) **References Cited**

U.S. PATENT DOCUMENTS

3,228,720	A	1/1966	Jordan	
5,056,661	A	10/1991	Balzano	
D345,090	S *	3/1994	Okumura	D8/68
D353,798	S *	12/1994	Bryde et al.	D13/169
5,544,747	A	8/1996	Horn	
D396,177	S *	7/1998	Schultz	D8/68
D411,947	S *	7/1999	Sugimoto et al.	D8/68
D439,124	S *	3/2001	Duennes	D8/70
D439,220	S *	3/2001	Mayo et al.	D13/125
D445,195	S *	7/2001	Olson et al.	D24/200

6,401,253	B2	6/2002	Brunson	
6,496,094	B2	12/2002	May, III	
D468,618	S *	1/2003	Ho	D8/107
D474,665	S *	5/2003	Taylor	D8/69
D489,240	S *	5/2004	Bartfeld et al.	D8/68
D491,035	S *	6/2004	Buck	D8/68
D493,957	S *	8/2004	Balliet	D3/228
6,779,199	B1 *	8/2004	O'Dea et al.	2/161.6
6,910,578	B2	6/2005	Stern	
6,926,473	B2 *	8/2005	Luebke	408/16
6,945,503	B2 *	9/2005	Cohen	248/206.5
6,959,465	B1	11/2005	Foster	
D538,125	S *	3/2007	Pan	D8/68
2007/0059114	A1 *	3/2007	Grimes	408/238

* cited by examiner

Primary Examiner—Joel A. Sincavage

Assistant Examiner—Anna K Dworzecka

(74) *Attorney, Agent, or Firm*—Howard & Howard Attorneys P.C.

(57) **CLAIM**

The ornamental design for a pair of magnetic holders for a tool, as shown and described.

DESCRIPTION

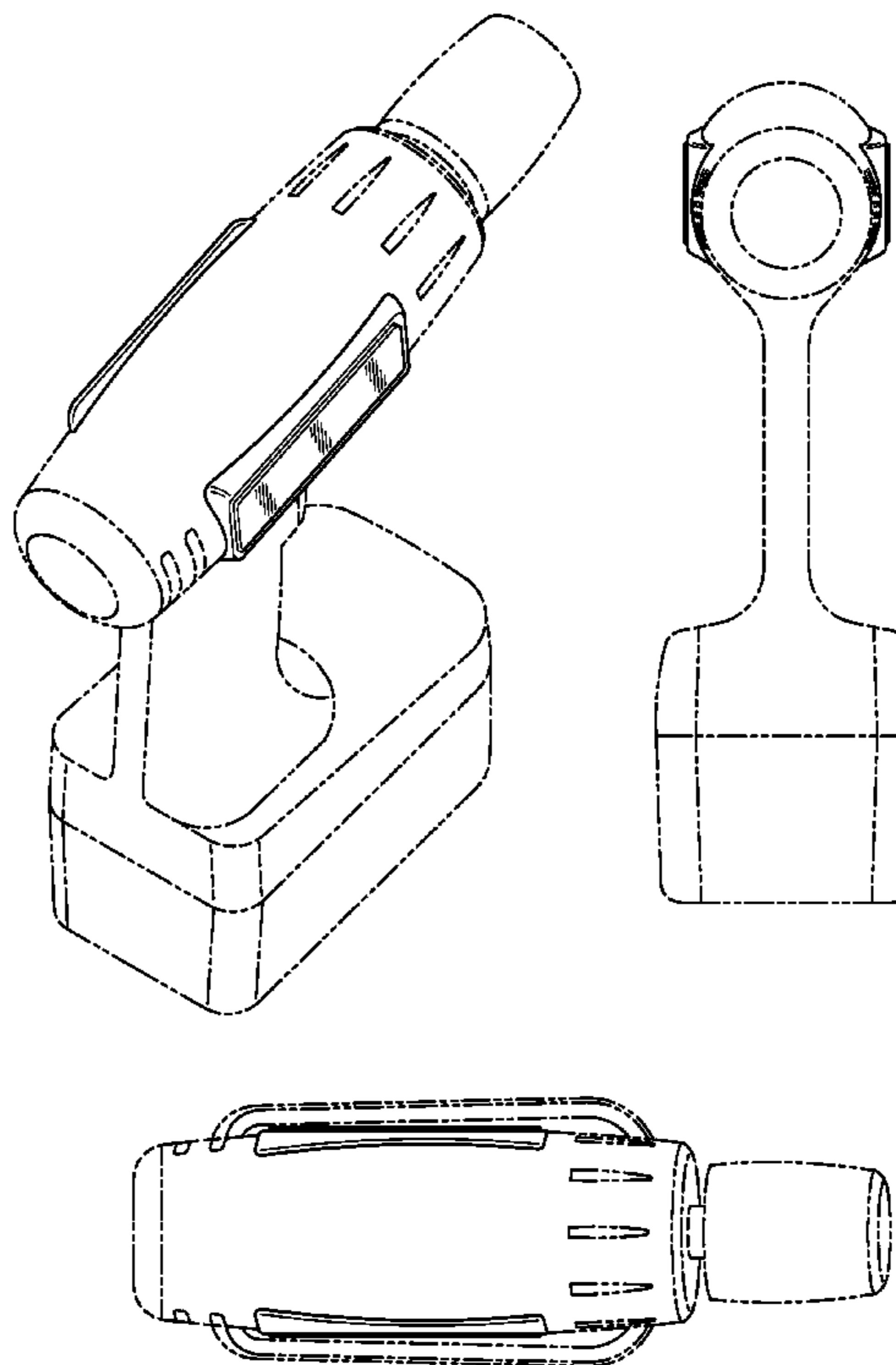
FIG. 1 is a perspective view of a pair of magnetic holders for a tool disposed on sides of a tool,

FIG. 2 is a rear view; and,

FIG. 3 is a top plan view.

The phantom lines are environmental only and form no part of the claimed design.

1 Claim, 1 Drawing Sheet



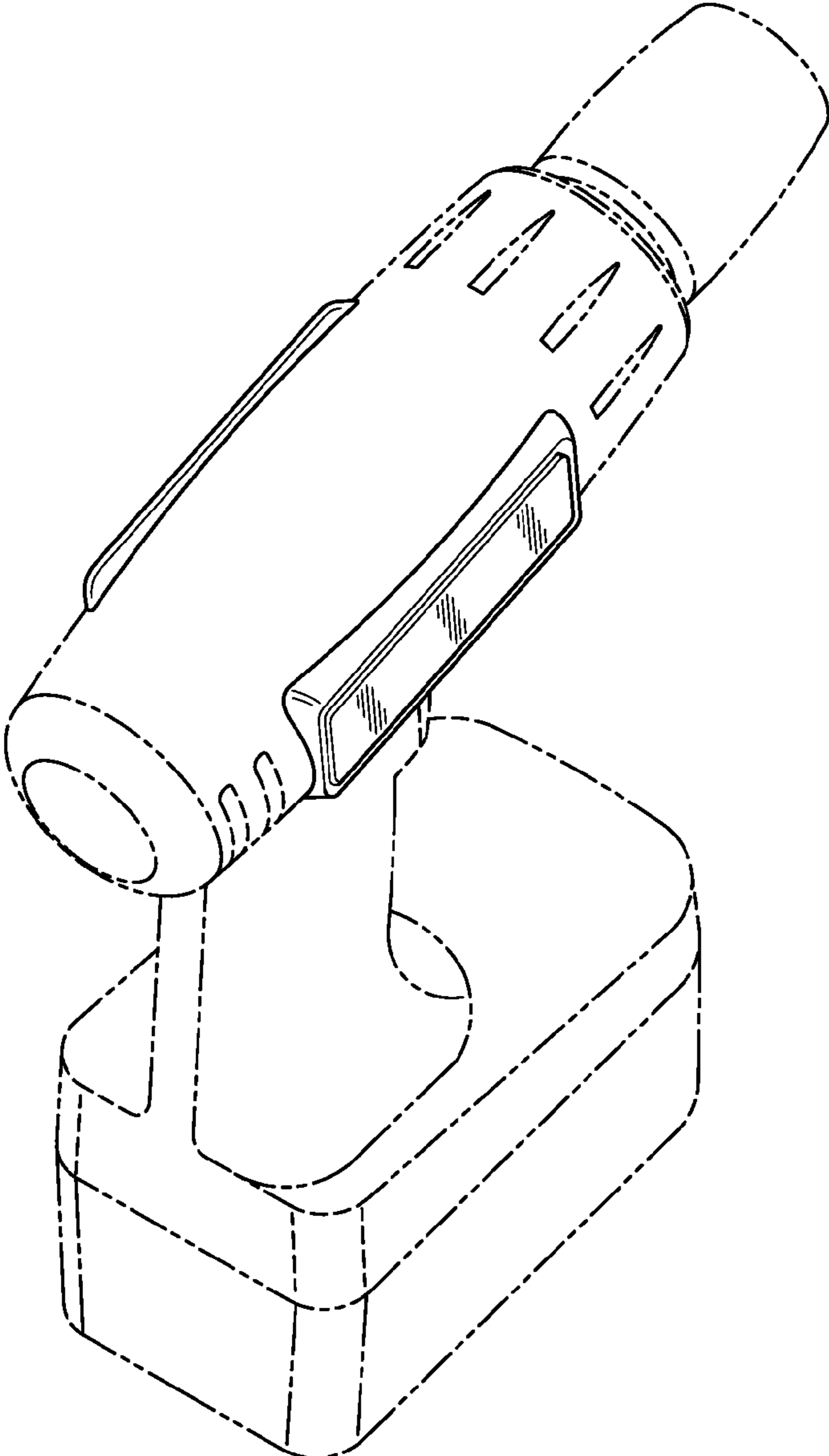


Figure 1

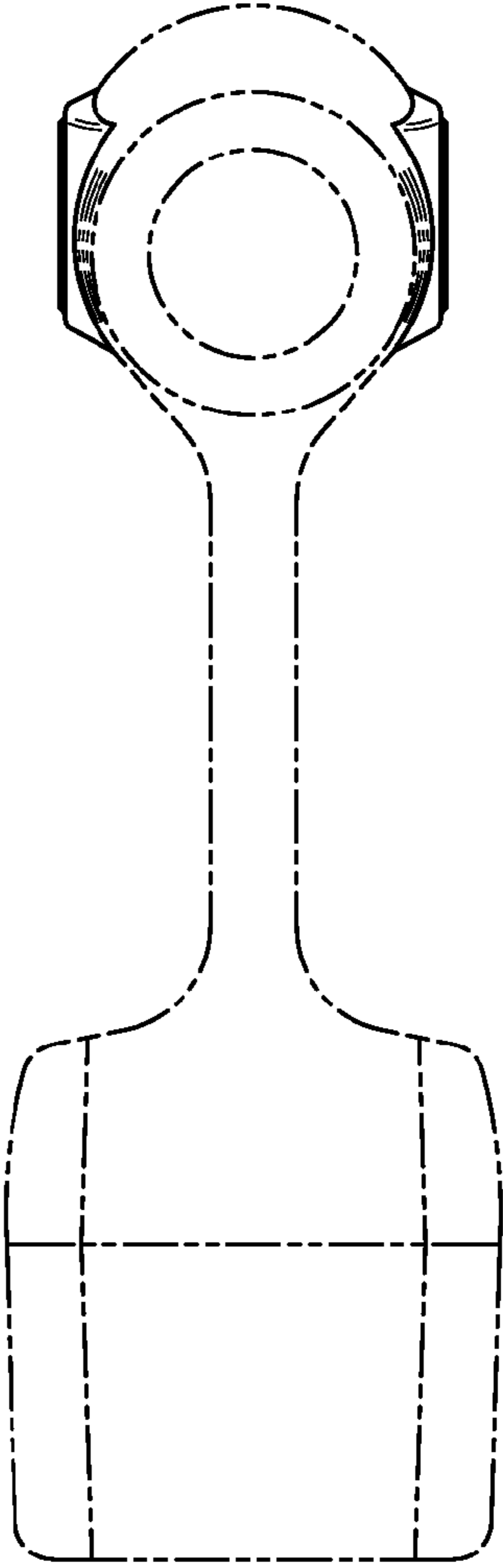


Figure 2

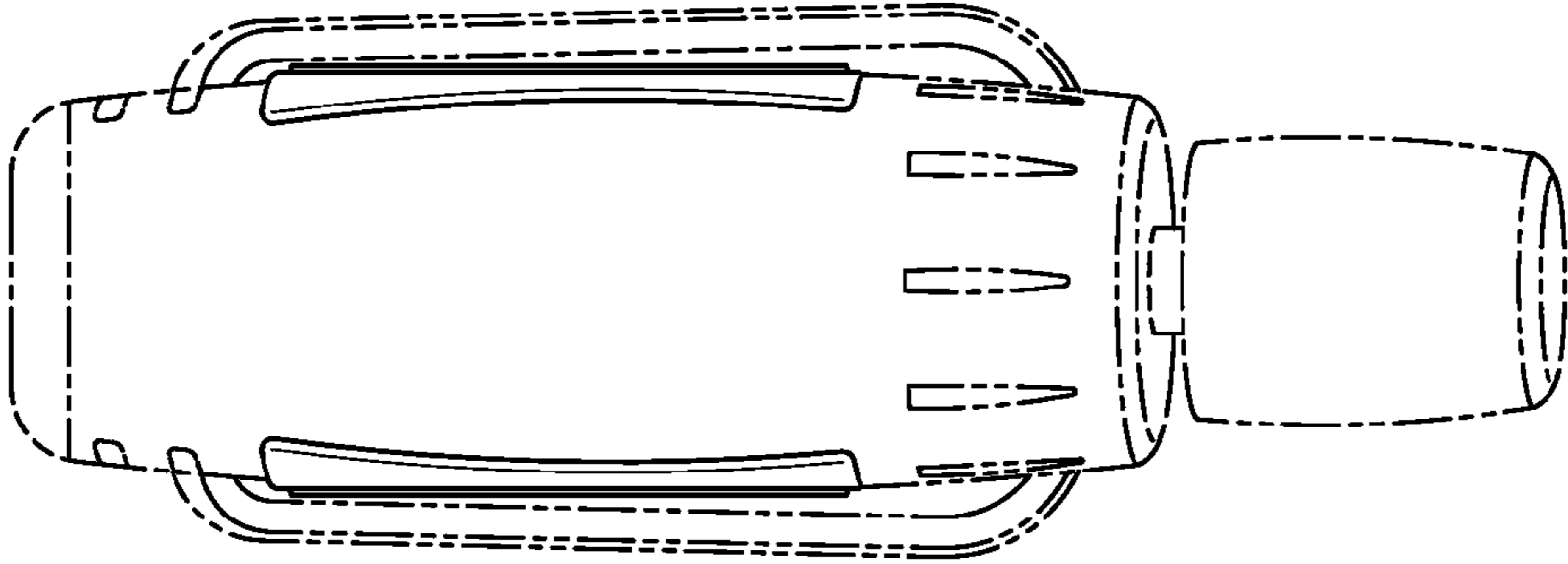


Figure 3