

US00D564981S

(12) **United States Design Patent**  
**Johnson**

(10) **Patent No.: US D564,981 S**

(45) **Date of Patent: \*\* \*Mar. 25, 2008**

(54) **MAGNETIC HOLDER FOR A TOOL**

(76) Inventor: **Steven Johnson**, 56795 Aberdeen Dr.,  
Shelby Township, MI (US) 48316

(\*) Notice: This patent is subject to a terminal disclaimer.

(\*\*) Term: **14 Years**

(21) Appl. No.: **29/247,502**

(22) Filed: **Jun. 22, 2006**

(51) **LOC (8) Cl. .... 13-99**

(52) **U.S. Cl. .... D13/183; D8/70**

(58) **Field of Classification Search** ..... D8/70,  
D8/81, 82, 87, 104, 107, 499, 61; D13/183;  
D12/187; D11/200-231; 81/125; 206/379;  
224/183; 468/238; 446/129; 211/70.6

See application file for complete search history.

(56) **References Cited**

**U.S. PATENT DOCUMENTS**

3,228,720	A	1/1966	Jordan	
5,056,661	A	10/1991	Balzano	
D345,090	S *	3/1994	Okumura	D8/68
D353,798	S *	12/1994	Bryde et al.	D13/169
5,544,747	A	8/1996	Horn	
D396,177	S *	7/1998	Schultz	D8/68
D411,947	S *	7/1999	Sugimoto et al.	D8/68
D439,124	S *	3/2001	Duennes	D8/70
D439,220	S *	3/2001	Mayo et al.	D13/125
D445,195	S *	7/2001	Olson et al.	D24/200
6,401,253	B2	6/2002	Brunson	
6,496,094	B2	12/2002	May, III	
D468,618	S *	1/2003	Ho	D8/107

D474,665	S *	5/2003	Taylor	D8/68
D489,240	S *	5/2004	Bartfeld et al.	D8/68
D491,035	S *	6/2004	Buck	D8/68
D493,957	S *	8/2004	Balliet	D3/228
6,779,199	B1 *	8/2004	O'Dea et al.	2/161.6
6,910,578	B2	6/2005	Stern	
6,926,473	B2 *	8/2005	Luebke	408/16
6,945,503	B2 *	9/2005	Cohen	248/206.5
6,959,465	B1	11/2005	Foster	
D538,125	S *	3/2007	Pan	D8/68
2007/0059114	A1 *	3/2007	Grimes	408/238

**OTHER PUBLICATIONS**

Hold-It Internet reference [4 pages] <http://www.bit-grip.com>.\*

\* cited by examiner

*Primary Examiner*—Joel A. Sincavage

*Assistant Examiner*—Anna K Dworzecka

(74) *Attorney, Agent, or Firm*—Howard & Howard  
Attorneys, P.C.

(57) **CLAIM**

The ornamental design for a magnetic holder for a tool, as shown and described.

**DESCRIPTION**

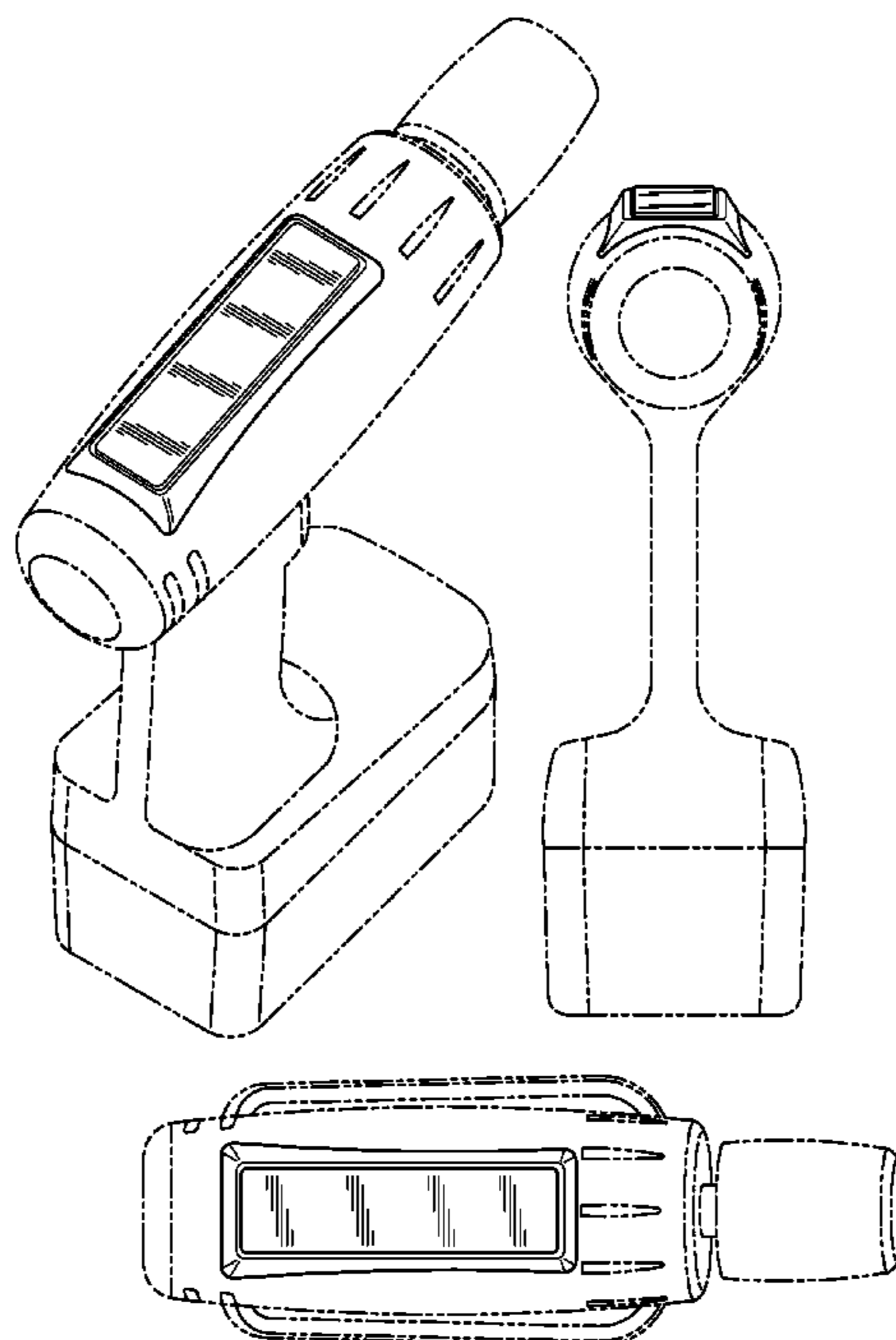
FIG. 1 is a perspective view of a magnetic holder disposed on a top of a tool,

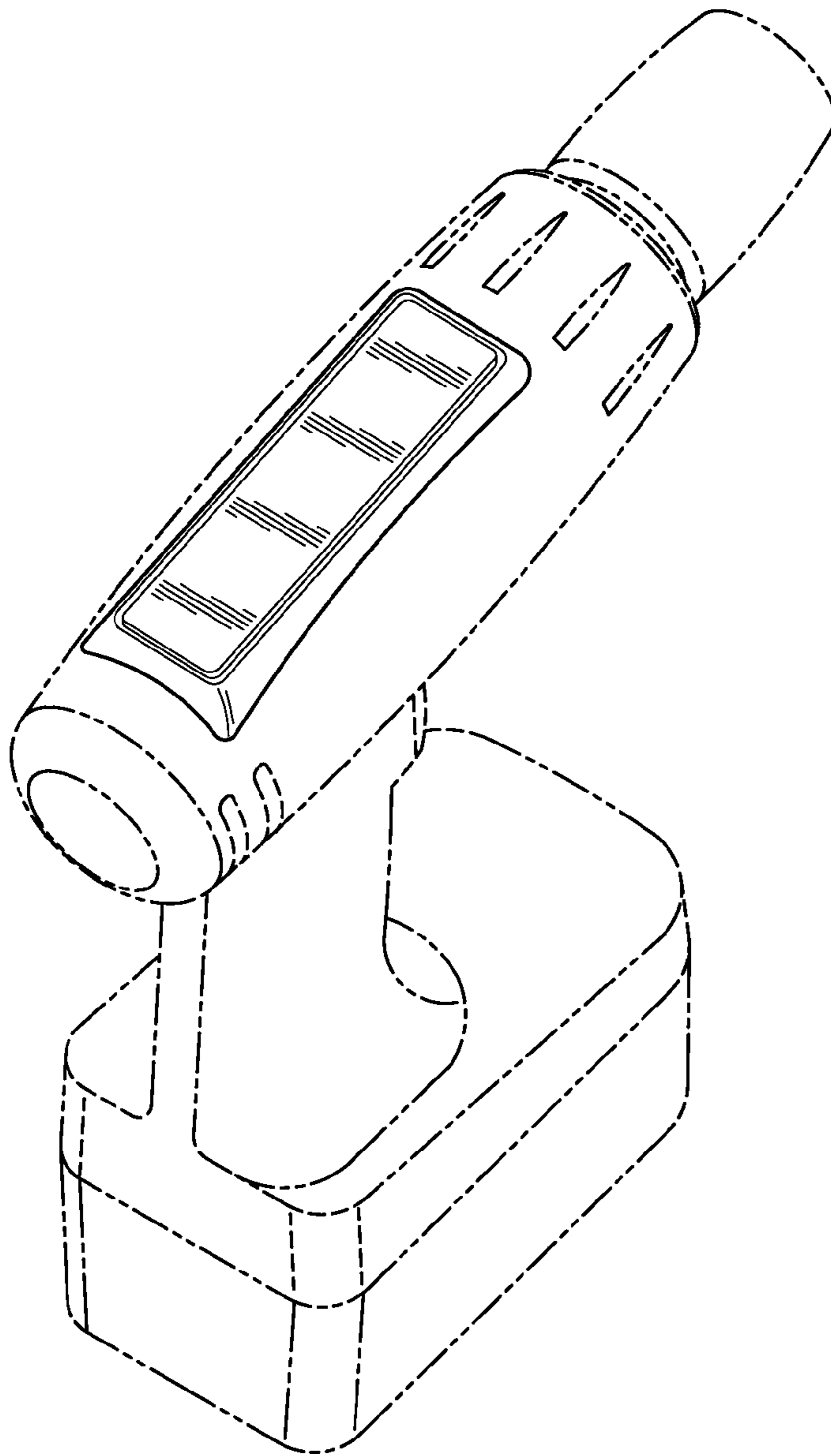
FIG. 2 is a rear view; and,

FIG. 3 is a top plan view.

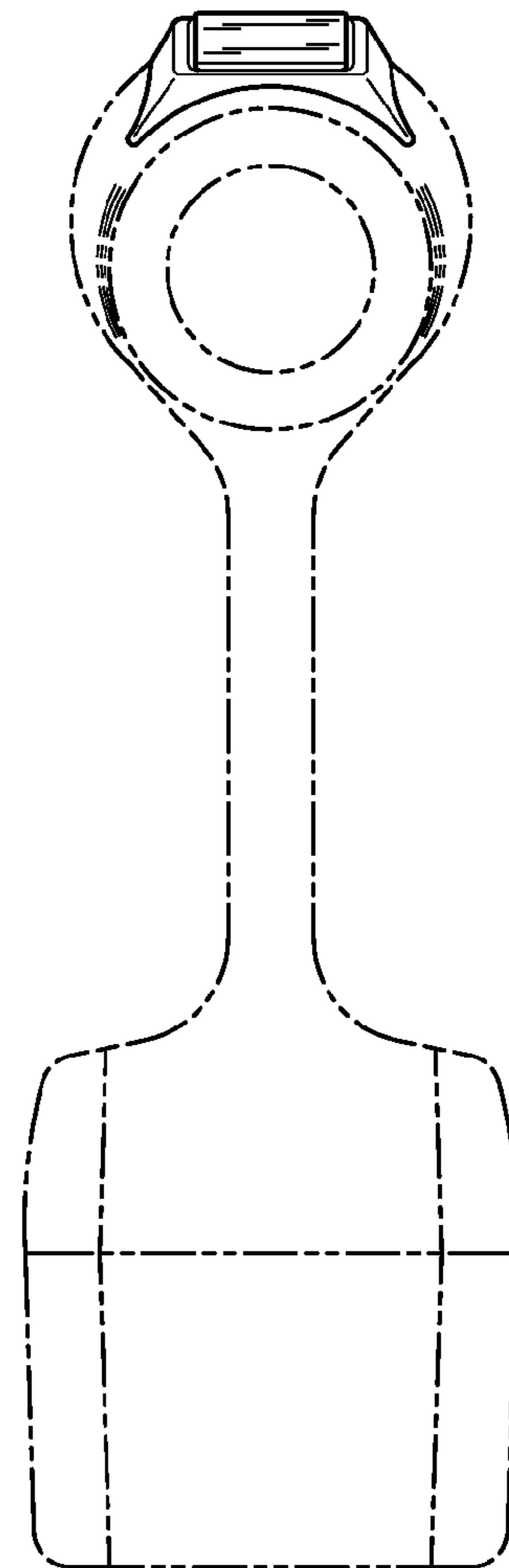
The phantom lines are environmental only and form no part of the claimed design.

**1 Claim, 1 Drawing Sheet**

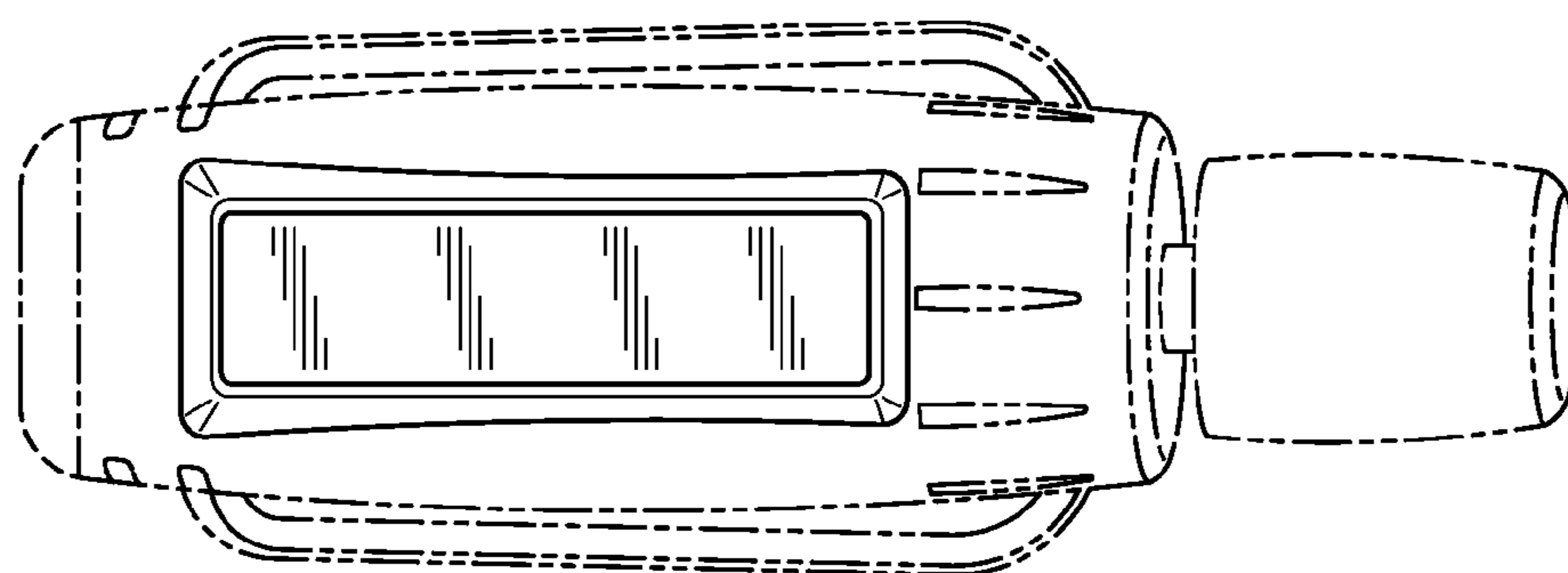




**Figure 1**



**Figure 2**



**Figure 3**