



US00D564975S

(12) **United States Design Patent**
Horio et al.

(10) **Patent No.:** **US D564,975 S**
(45) **Date of Patent:** **** Mar. 25, 2008**

(54) **LIGHT RECEIVING MODULE WITH A SHIELD COVER**

(75) Inventors: **Tomoharu Horio**, Kyoto (JP);
Hironori Daikoku, Kyoto (JP)

(73) Assignee: **Rohm Co., Ltd.**, Kyoto (JP)

(**) Term: **14 Years**

(21) Appl. No.: **29/286,067**

(22) Filed: **Apr. 19, 2007**

(30) **Foreign Application Priority Data**

Oct. 26, 2006 (JP) 2006-029229

(51) **LOC (8) Cl.** **13-03**

(52) **U.S. Cl.** **D13/165; D14/358**

(58) **Field of Classification Search** D14/240,
D14/339, 358, 256, 353, 299, 300; D13/184,
D13/123, 199, 101, 165; 379/433.01-13,
379/434, 419, 413.04; 220/4.02; 385/16-18,
385/92

See application file for complete search history.

(56) **References Cited**

U.S. PATENT DOCUMENTS

- D234,426 S * 3/1975 Gerdom D13/165
- D242,047 S * 10/1976 Sheesely et al. D14/256
- D242,146 S * 11/1976 Sheesely et al. D14/256
- D291,081 S * 7/1987 Mickelson et al. D14/240
- D322,953 S * 1/1992 Brown et al. D13/123
- D333,122 S * 2/1993 Kamakura et al. D13/123
- D364,603 S * 11/1995 Tanaka et al. D13/165
- D364,604 S * 11/1995 Tanaka et al. D13/165
- D373,759 S * 9/1996 Tanaka et al. D13/165
- D401,562 S * 11/1998 Brass et al. D13/165
- D448,344 S * 9/2001 Ishitsuka et al. D13/123
- D464,029 S * 10/2002 Hwang D13/154
- D464,631 S * 10/2002 Billman D13/199

- D466,865 S * 12/2002 Stack et al. D13/123
- D466,866 S * 12/2002 Stack et al. D13/123
- D468,269 S * 1/2003 Hwang D13/154
- D468,270 S * 1/2003 Hwang D13/154
- D468,698 S * 1/2003 Hwang D13/154
- D475,980 S * 6/2003 Chang D13/165
- D485,238 S * 1/2004 Hwang et al. D13/123
- D485,829 S * 1/2004 Lee D14/240
- D494,143 S * 8/2004 Sato D13/165
- D494,930 S * 8/2004 Ishigami et al. D13/123
- D503,382 S * 3/2005 Moriyama et al. D13/123
- 7,156,562 B2 * 1/2007 Mazotti et al. 385/92
- 7,201,520 B2 * 4/2007 Mizue et al. 385/92

FOREIGN PATENT DOCUMENTS

GB 2092242 * 5/2000

* cited by examiner

Primary Examiner—Charles A. Rademaker

(74) *Attorney, Agent, or Firm*—Hamre, Schumann, Mueller & Larson, P.C.

(57) **CLAIM**

The ornamental design for a light receiving module with a shield cover, as shown and described.

DESCRIPTION

FIG. 1 is a top plan view of a light receiving module with a shield cover showing our new design;

FIG. 2 is a front elevation thereof;

FIG. 3 is a bottom plan view thereof;

FIG. 4 is a left side elevation thereof;

FIG. 5 is a right side elevation thereof;

FIG. 6 is a rear elevation thereof;

FIG. 7 is a perspective view thereof; and,

FIG. 8 is a cross-section thereof taken along line 8—8 in FIG. 1.

1 Claim, 3 Drawing Sheets

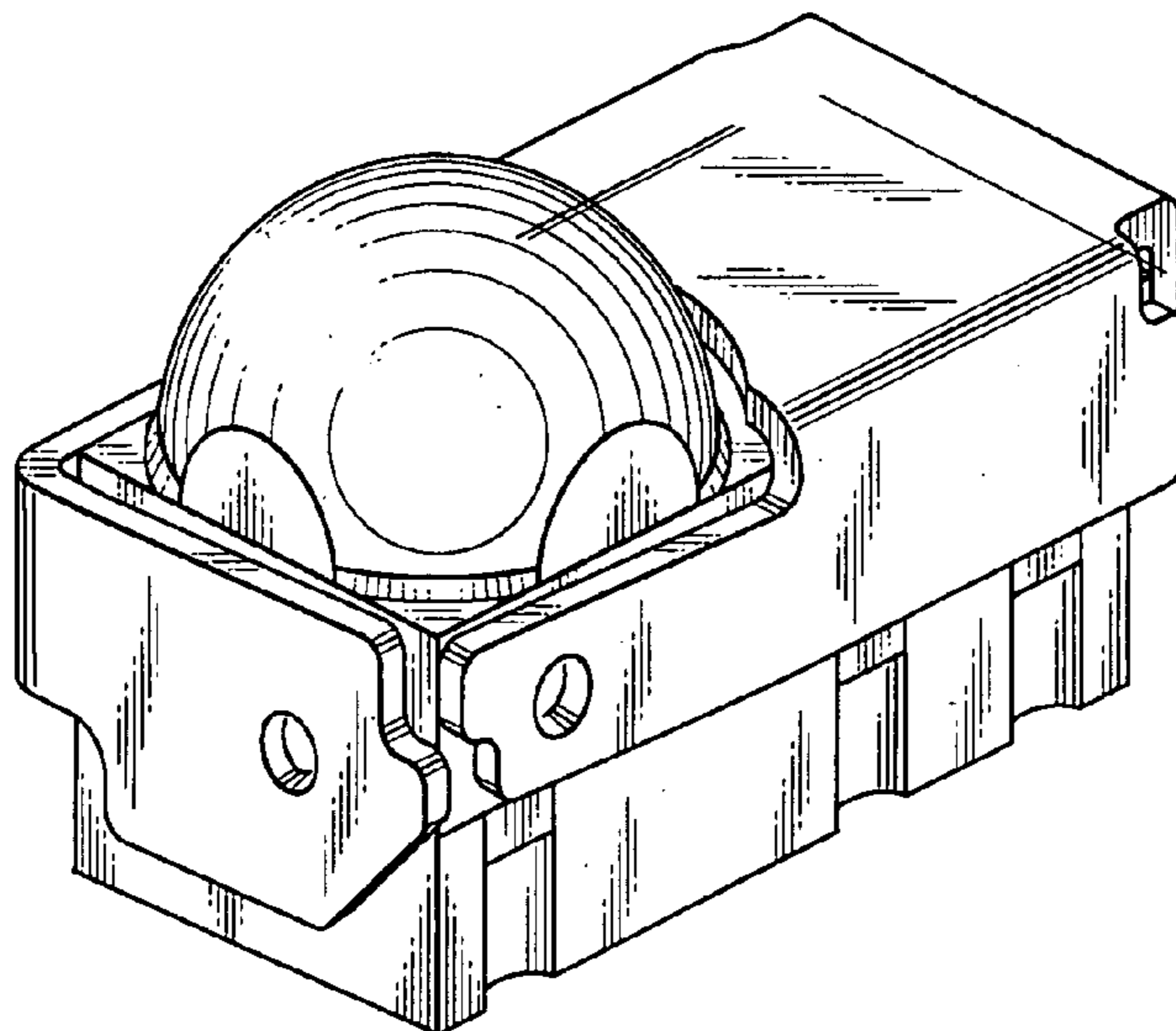


FIG.1

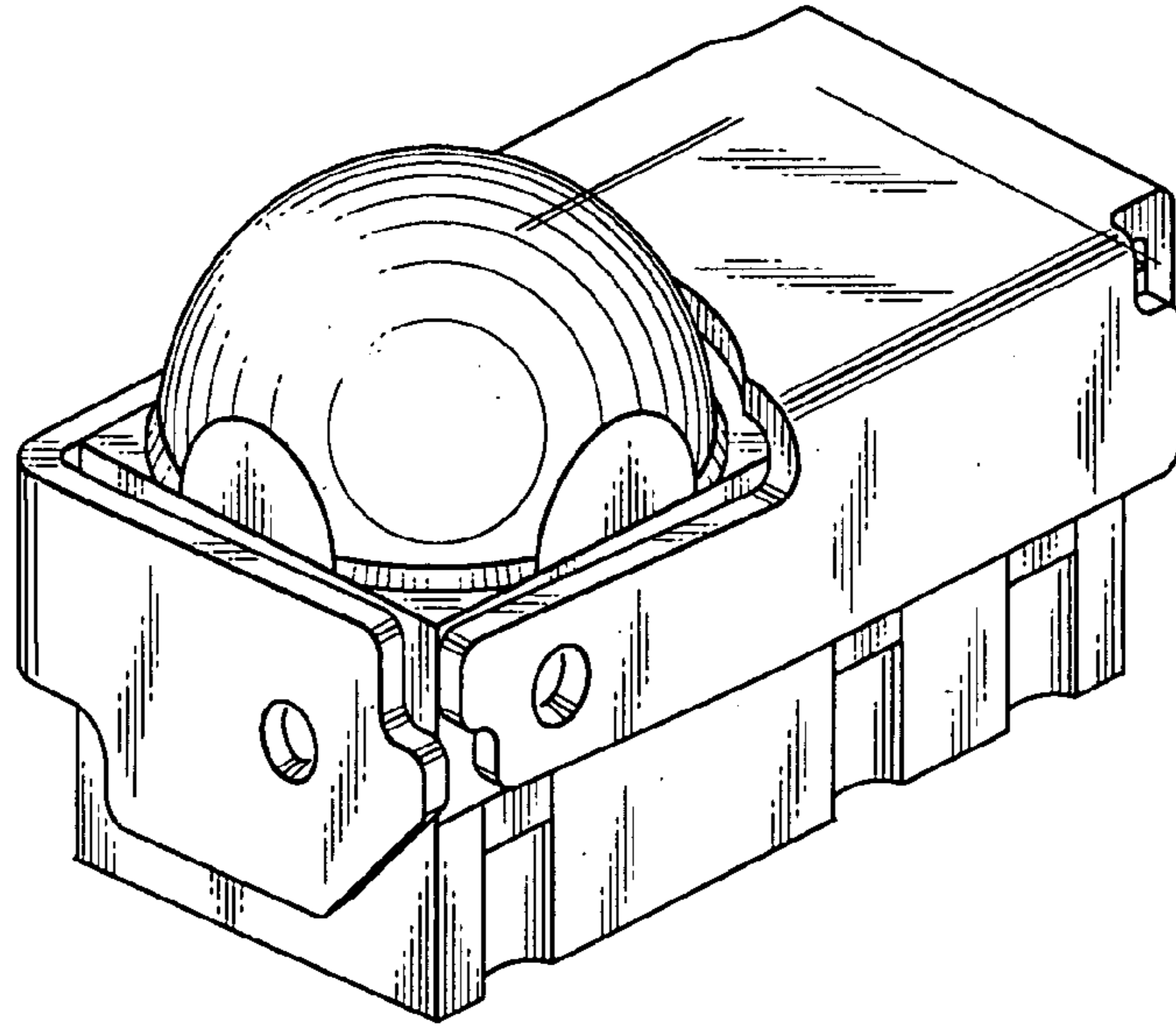


FIG.2

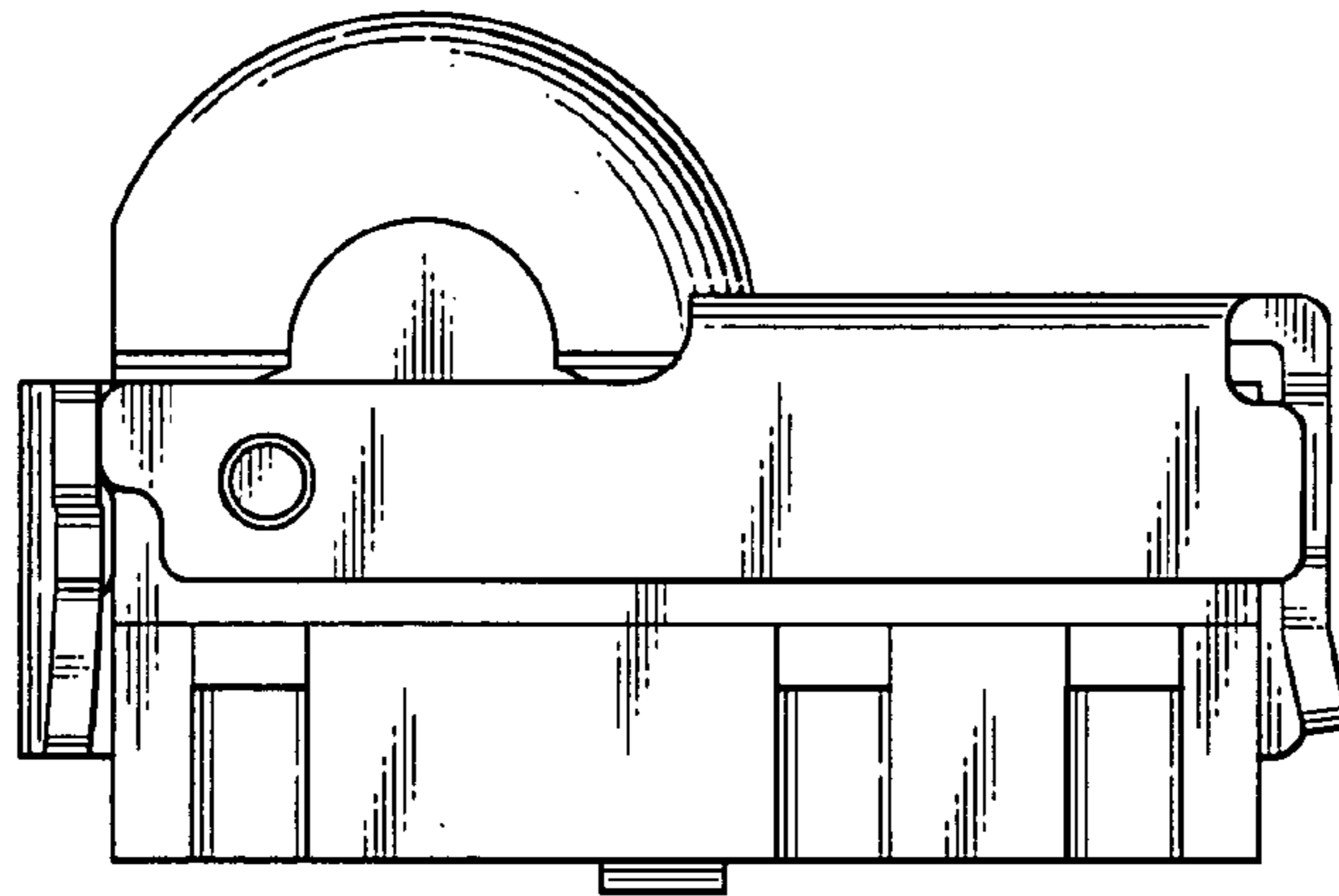


FIG.3

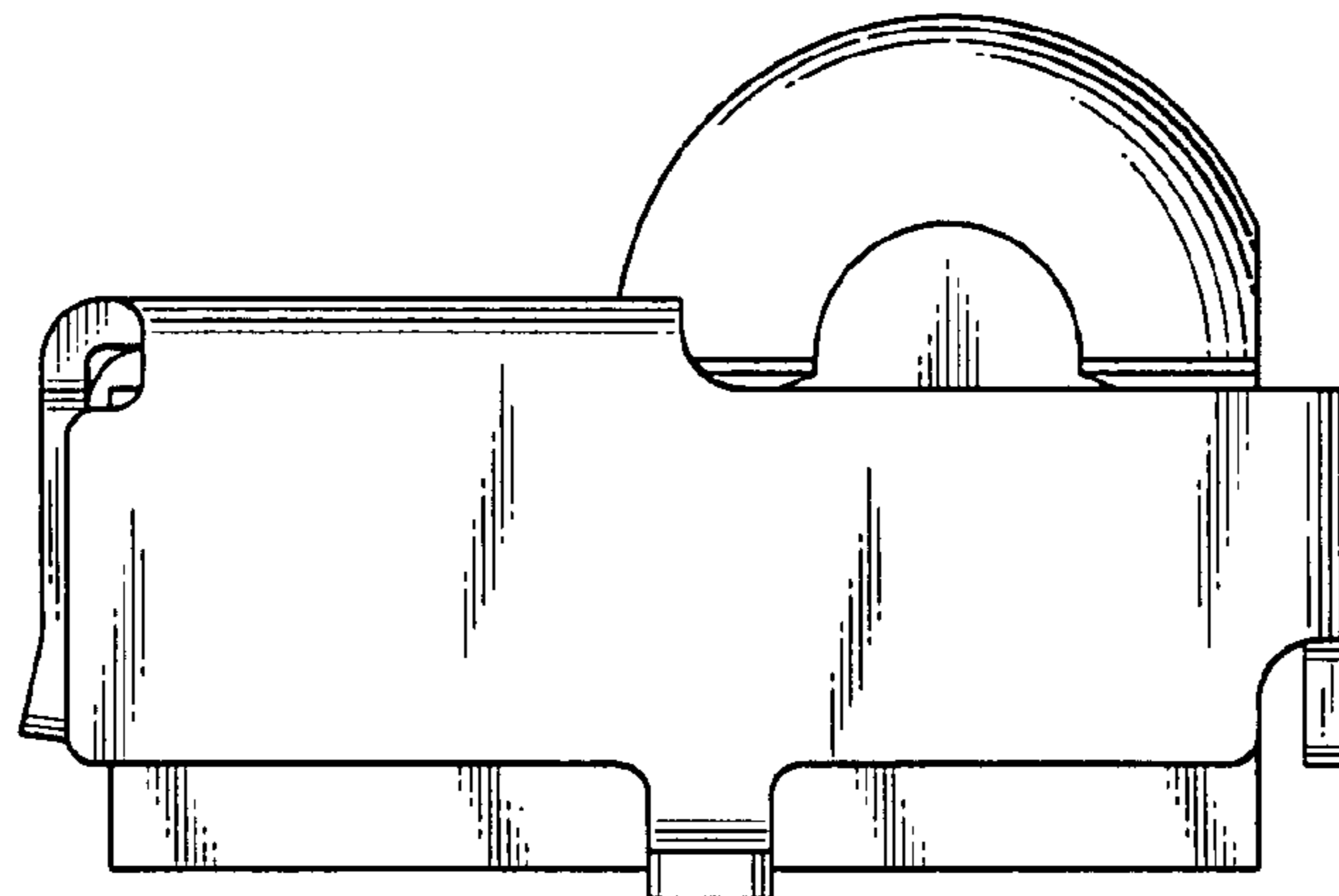


FIG.4

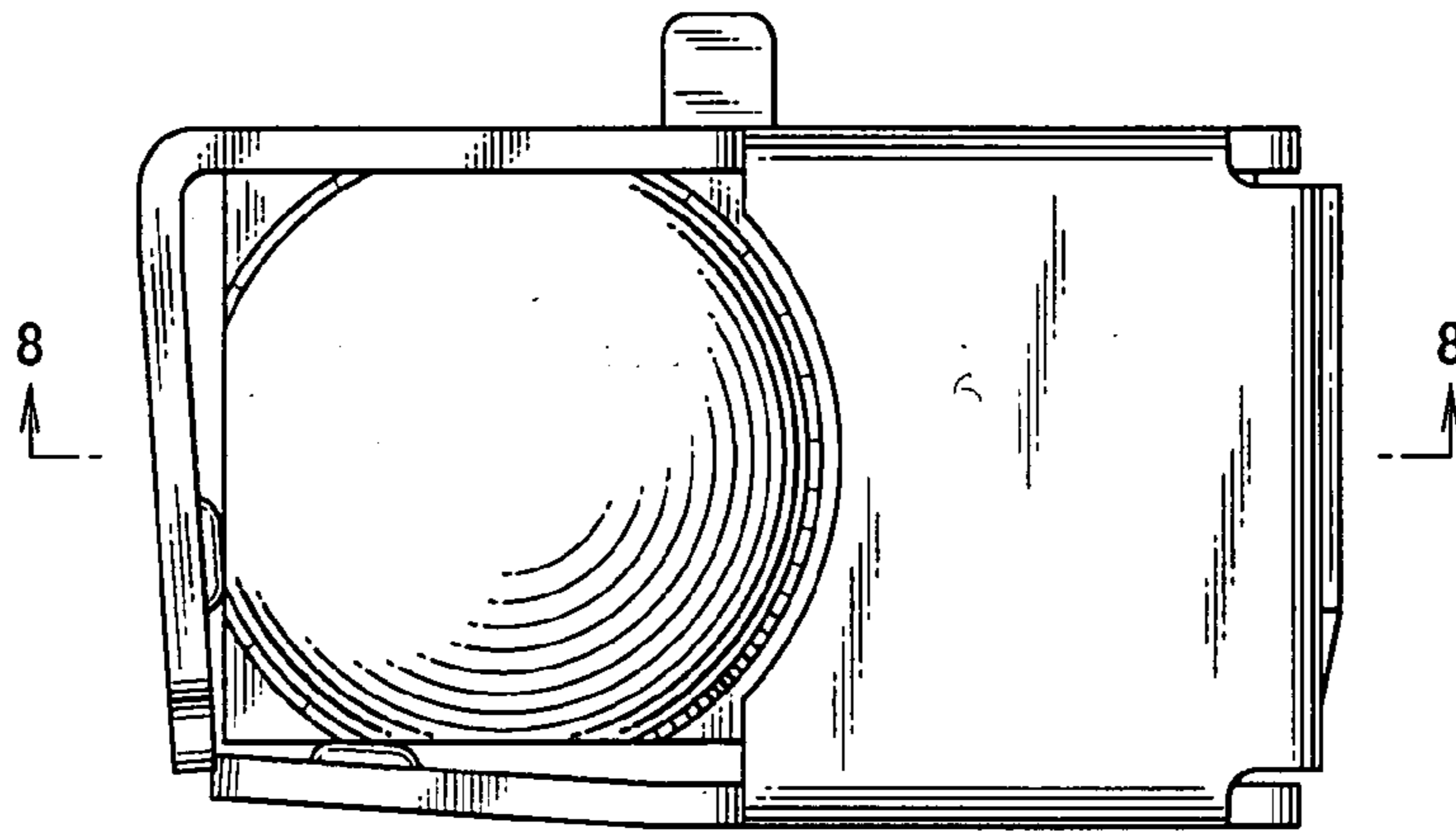


FIG.5

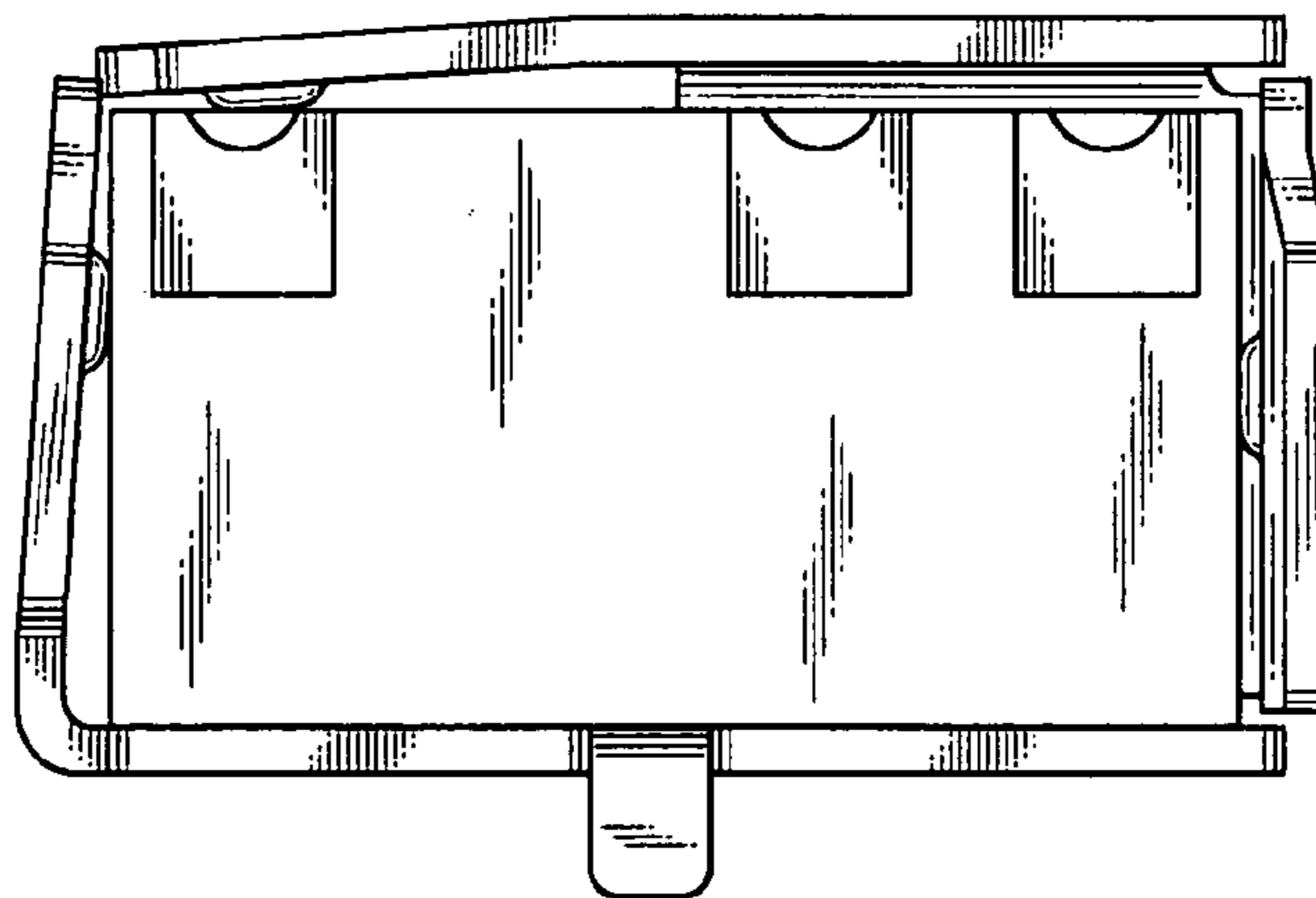


FIG.6

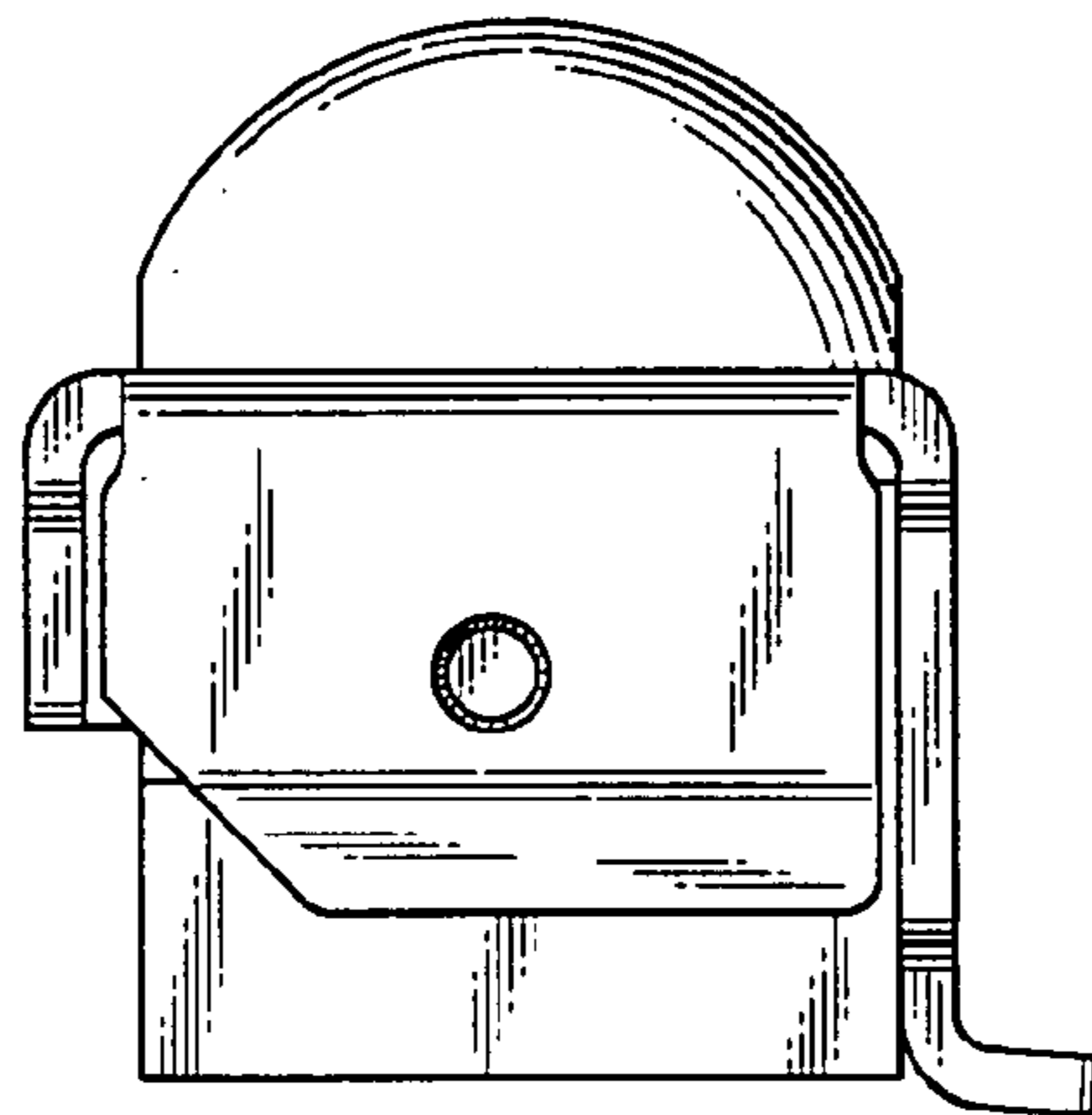


FIG.7

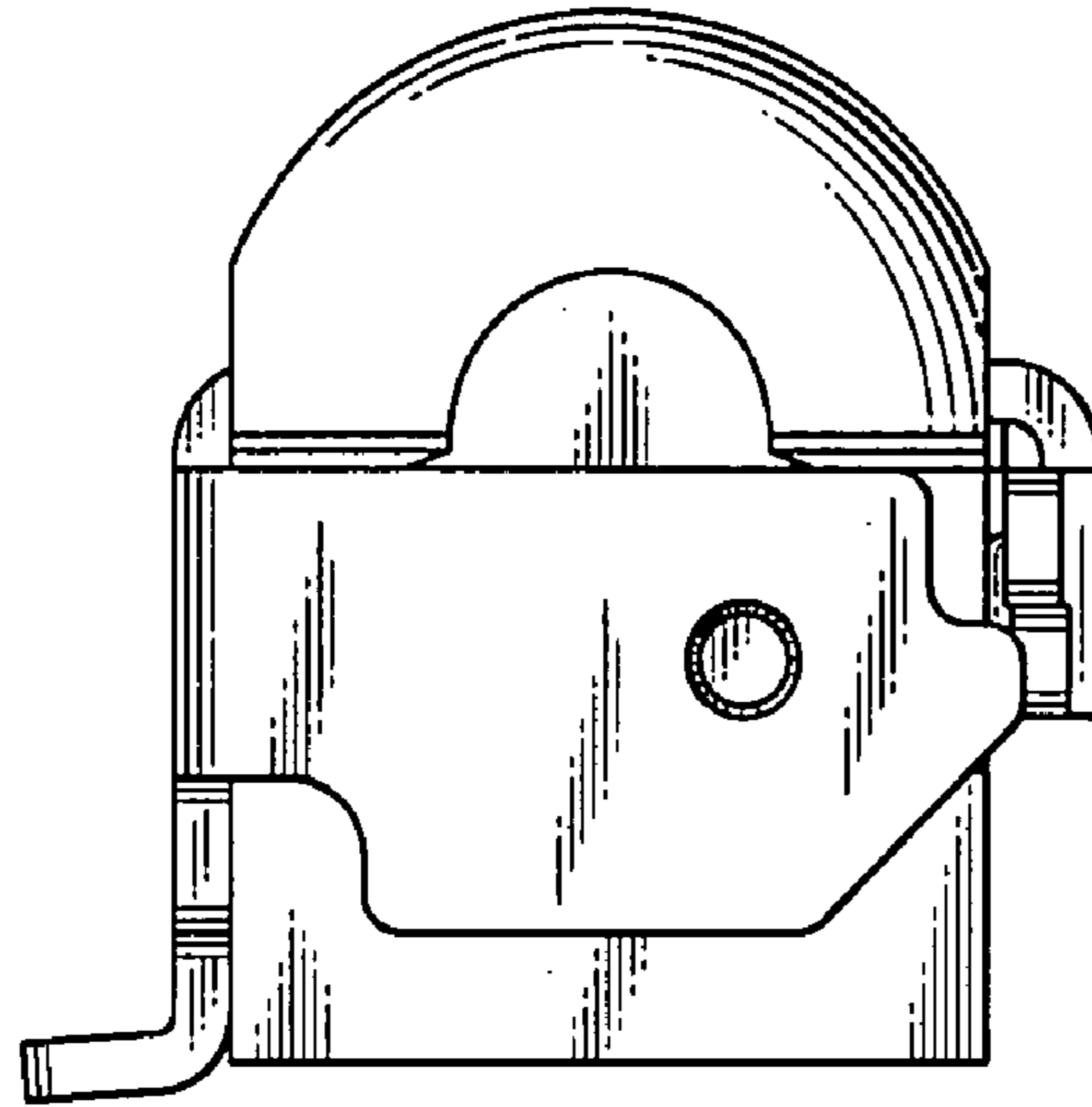
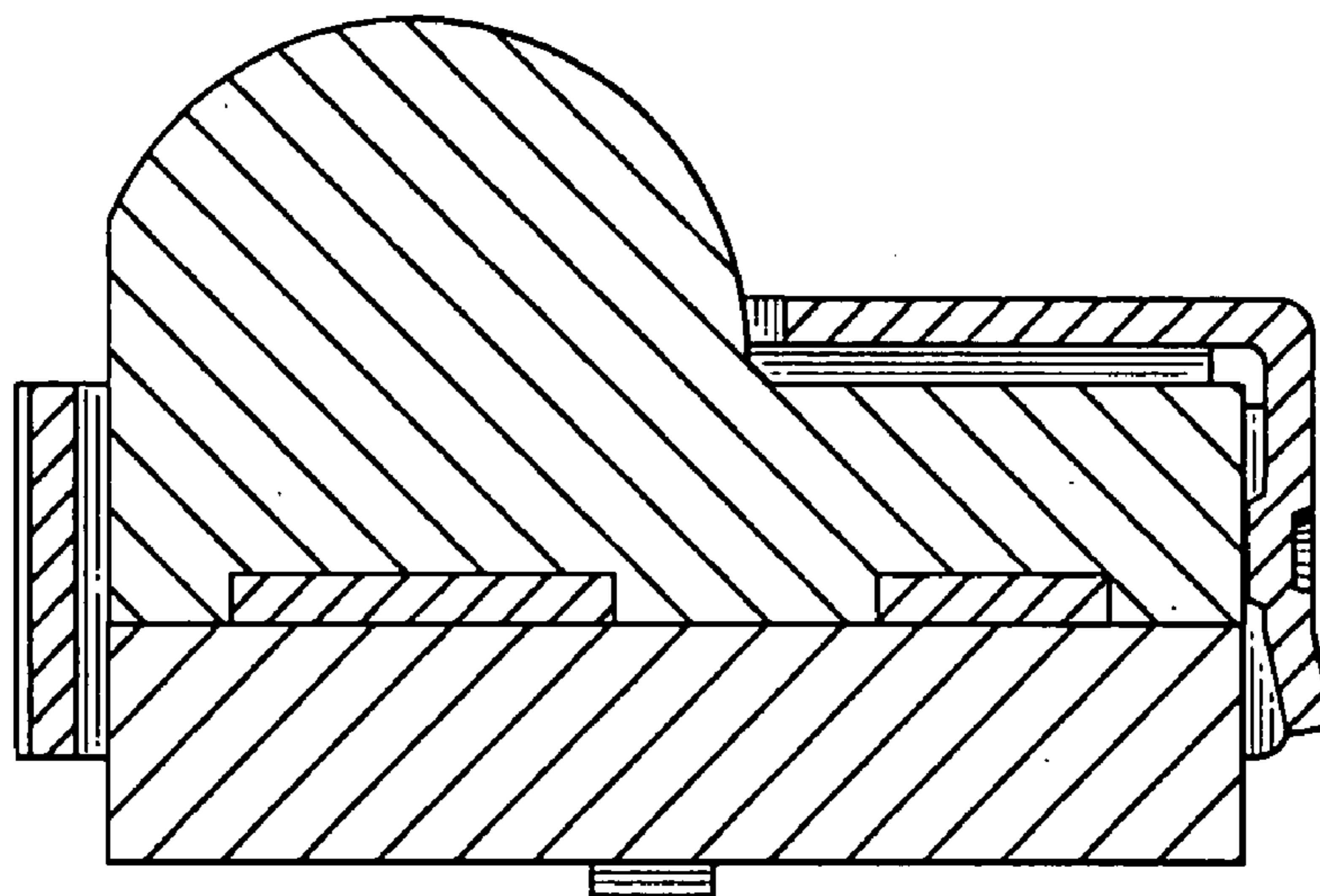


FIG.8



UNITED STATES PATENT AND TRADEMARK OFFICE
CERTIFICATE OF CORRECTION

PATENT NO. : Des. 564,975 S
APPLICATION NO. : 29/286067
DATED : March 25, 2008
INVENTOR(S) : Horio et al.

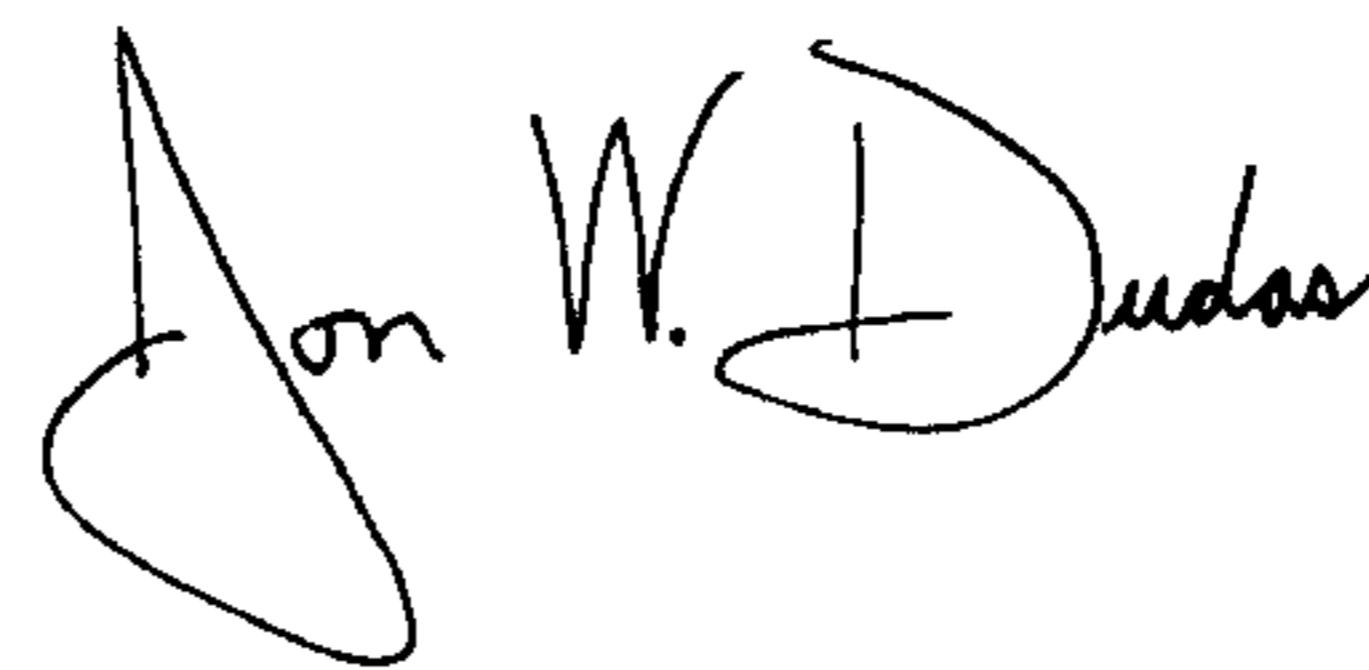
Page 1 of 1

It is certified that error appears in the above-identified patent and that said Letters Patent is hereby corrected as shown below:

Title page, item (22): "Apr. 19, 2007" should be --Apr. 20, 2007--

Signed and Sealed this

Fourth Day of November, 2008

A handwritten signature in black ink that reads "Jon W. Dudas". The signature is written in a cursive style with a large, looped initial "J".

JON W. DUDAS

Director of the United States Patent and Trademark Office