



US00D564974S

(12) **United States Design Patent**  
**Berg et al.**

(10) **Patent No.:** **US D564,974 S**  
(45) **Date of Patent:** **\*\* Mar. 25, 2008**

(54) **SWITCH DESIGN**

(75) Inventors: **Frederick J. Berg**, Auburn, MI (US);  
**Timothy J. Bennett**, Kawkawlin, MI (US);  
**Alan C. Davis**, Fenton, MI (US);  
**Richard K. Riefe**, Saginaw, MI (US);  
**Ronald H. Dybalski**, Oak Park, MI (US);  
**Timothy M. Phillips**, Fenton, MI (US)

(73) Assignee: **Delphi Technologies, Inc.**, Troy, MI (US)

(\*\*) Term: **14 Years**

(21) Appl. No.: **29/231,064**

(22) Filed: **Jun. 1, 2005**

(51) **LOC (8) Cl.** ..... **13-03**

(52) **U.S. Cl.** ..... **D13/164; D13/171**

(58) **Field of Classification Search** ..... D13/168,  
D13/164, 162; D12/192-195; D14/388;  
D8/302, 315; 200/1 R, 5 R, 52 R, 315, 310,  
200/6 A, 302.1, 308, 314, 317; 296/153;  
297/411.21; 307/10.1

See application file for complete search history.

(56) **References Cited**

**U.S. PATENT DOCUMENTS**

D408,366	S *	4/1999	Popadiuk	.....	D13/158
D430,852	S *	9/2000	Miyashita	.....	D13/158
D440,206	S *	4/2001	Carroll et al.	.....	D13/162
6,225,578	B1 *	5/2001	Kobayashi et al.	.....	200/5 R
D496,004	S *	9/2004	Borsboom	.....	D13/168
D520,962	S *	5/2006	Seal et al.	.....	D13/164
D521,914	S *	5/2006	Pfeiffer	.....	D12/176
7,038,147	B2 *	5/2006	Sasanouchi et al.	.....	200/5 R
D524,249	S *	7/2006	Chen	.....	D13/158
D526,973	S *	8/2006	Gates et al.	.....	D13/184
7,177,741	B2 *	2/2007	Nagasaka	.....	701/36

\* cited by examiner

*Primary Examiner*—Selina Sikder

*Assistant Examiner*—Thomas J Johannes

(74) *Attorney, Agent, or Firm*—Michael D. Smith

(57) **CLAIM**

We claim the ornamental design for a switch design, as shown and described.

**DESCRIPTION**

A portion of the disclosure of this patent document contains material to which a claim for copyright and trademark is made. The copyright and trademark owner has no objection to the facsimile reproduction by anyone of the patent document or the patent disclosure, as it appears in the Patent and Trademark Office patent file or records, but reserves all other copyright and trademark rights whatsoever.

The switch design is useful for operating a vehicle. The switch design provides a switch to control operations associated with vehicle systems. such as, but not limited to, engine control, climate control, an integrated cellular phone system, a sound system (radio), a global positioning system (GPS), a video entertainment center (such as a DVD player). The switch design can be engaged to display data or control operations associated with, but not limited to vehicle speed, engine RPM, oil pressure, coolant temperature, battery voltage, vehicle maintenance reminders, climate control system settings, outside temperature, radio settings, integrated cellular phone settings, compass headings, video images, sound files, digital radio broadcasts, and navigational information.

FIG. 1 is a first perspective view of an switch design in an exemplary operating environment;

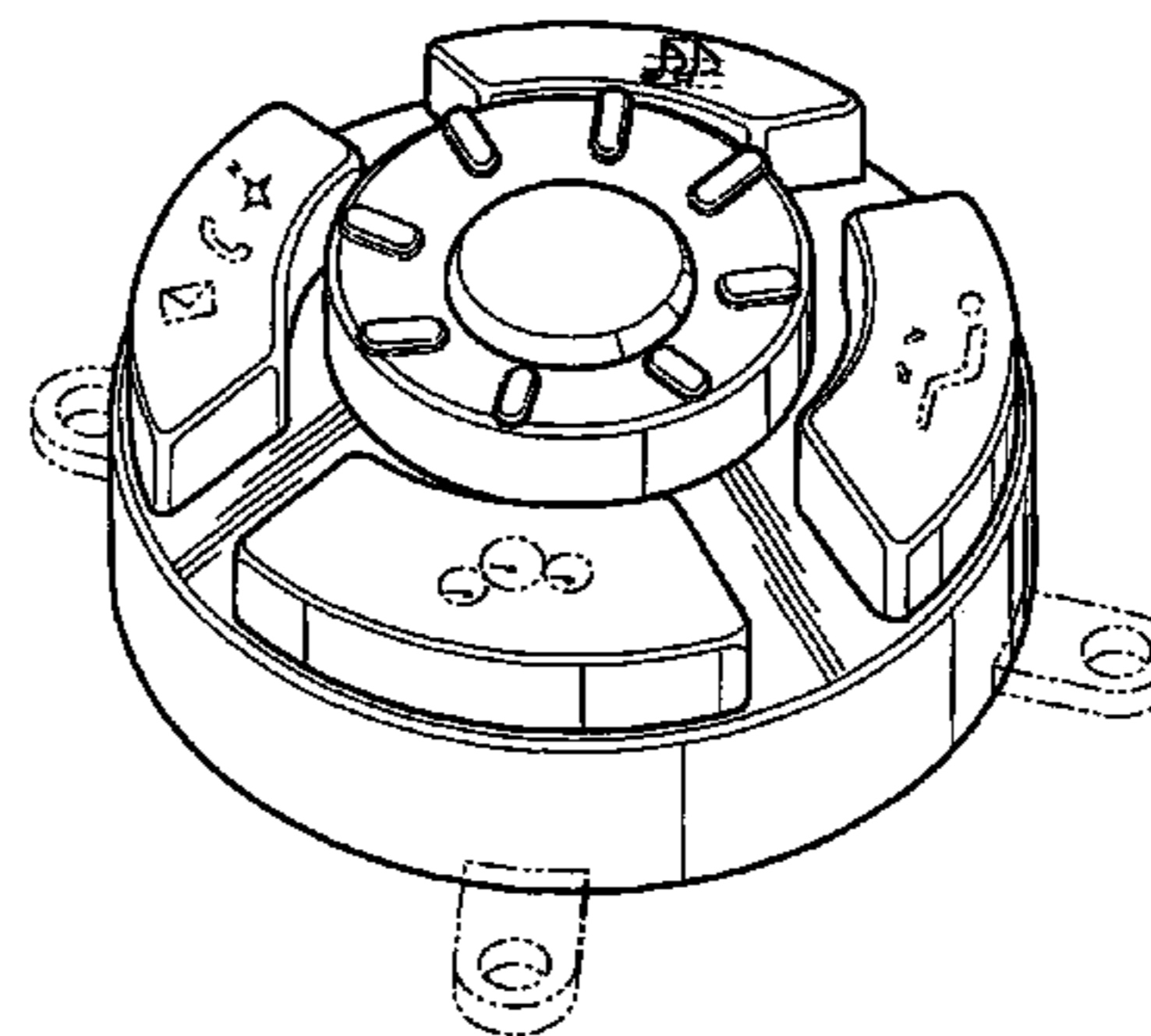
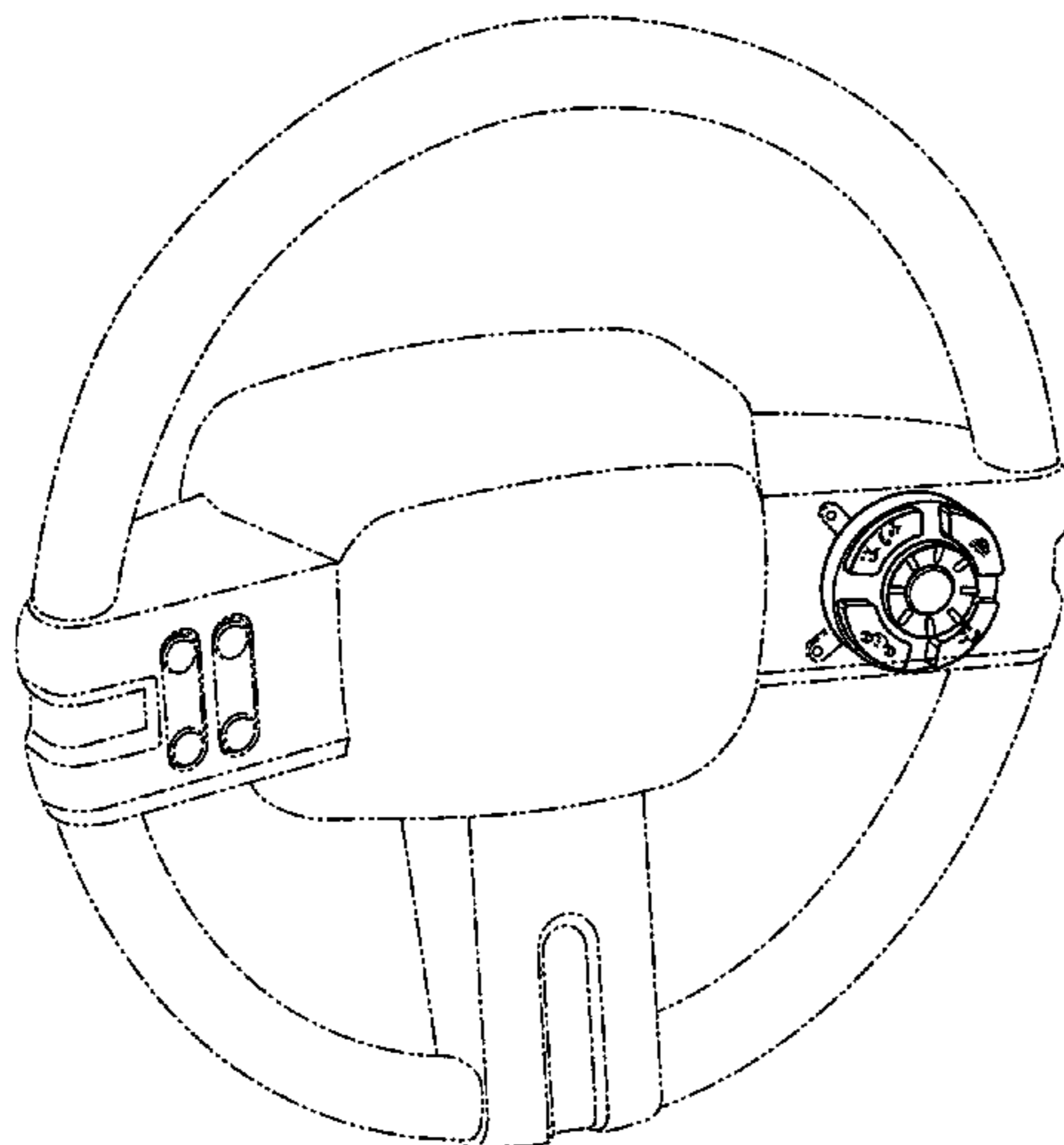
FIG. 2 is a second perspective view of the switch design;

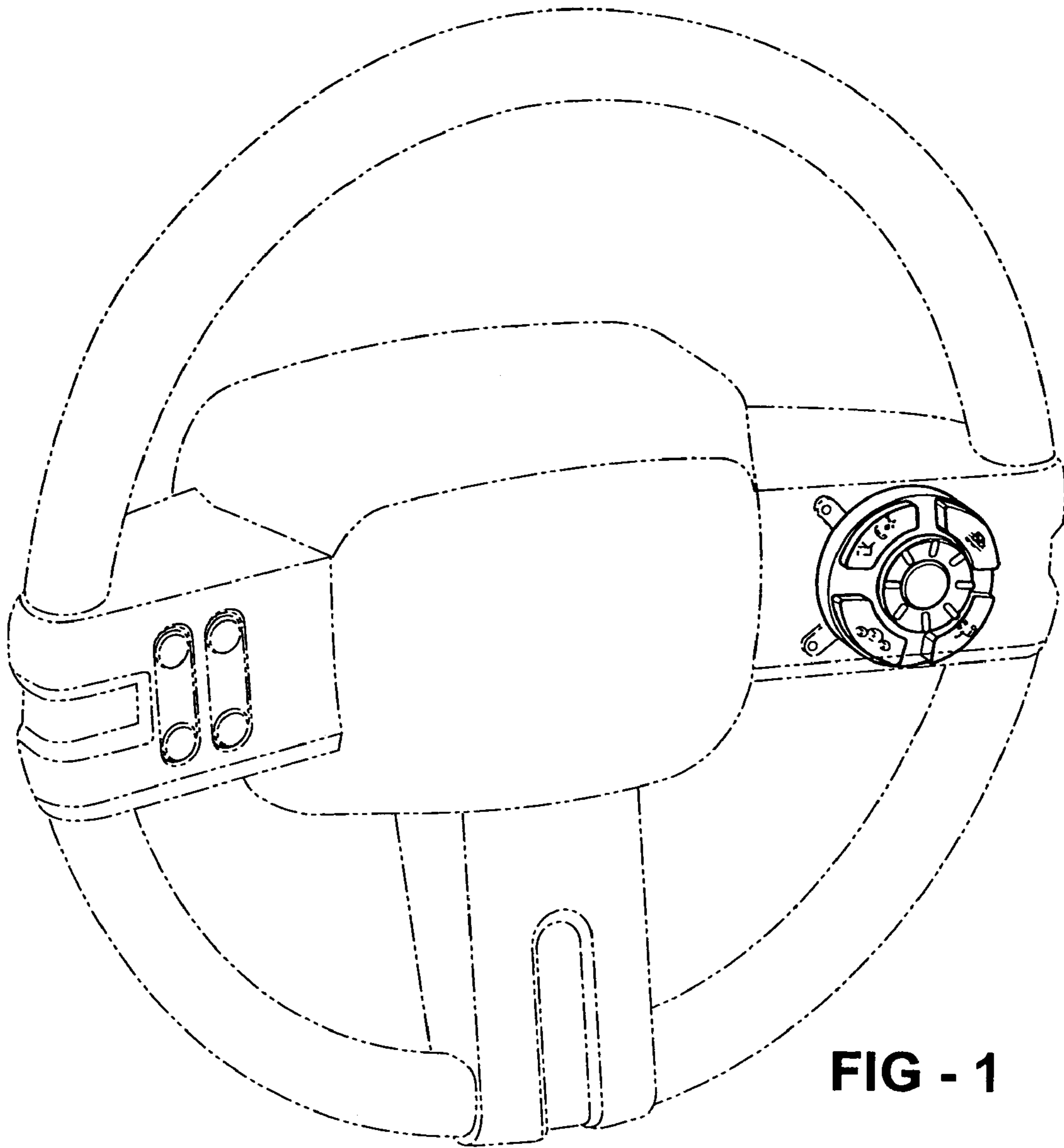
FIG. 3 is a top view of the switch design; and,

FIG. 4 is a side view of the switch design.

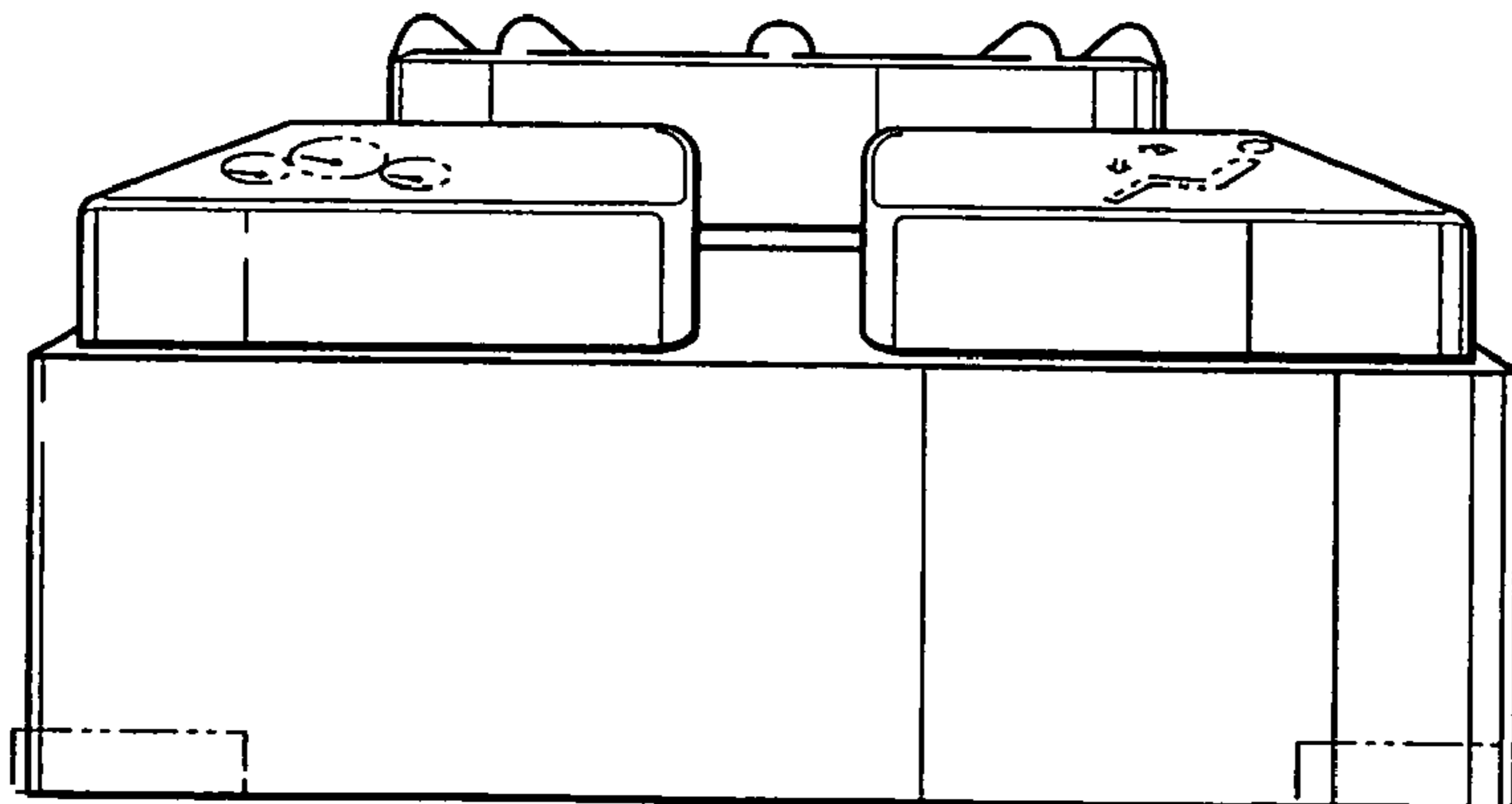
The broken line drawings shown in the Figures are for illustrative purposes only and form no part of the claimed design.

**1 Claim, 2 Drawing Sheets**





**FIG - 1**



**FIG - 4**

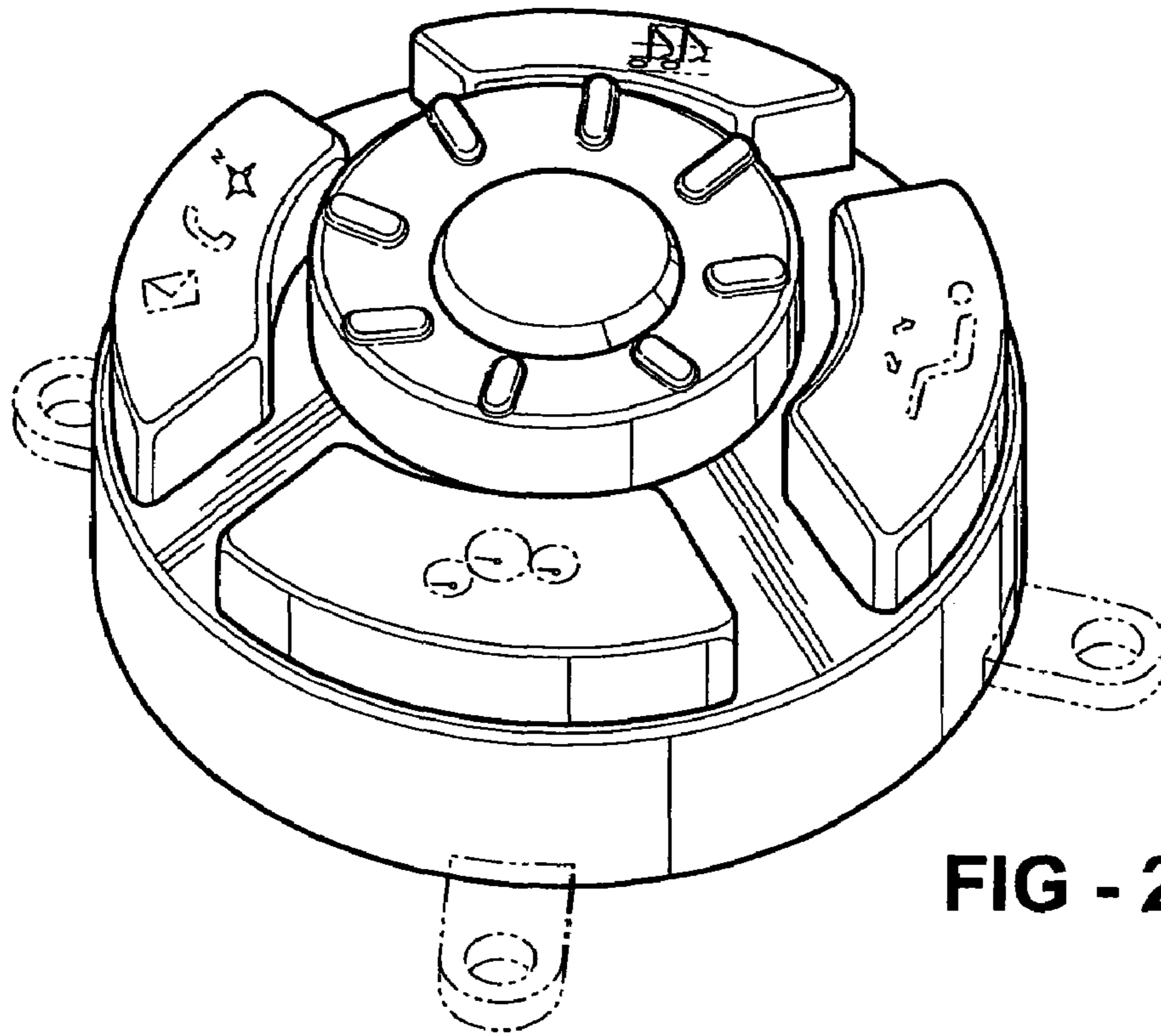


FIG - 2

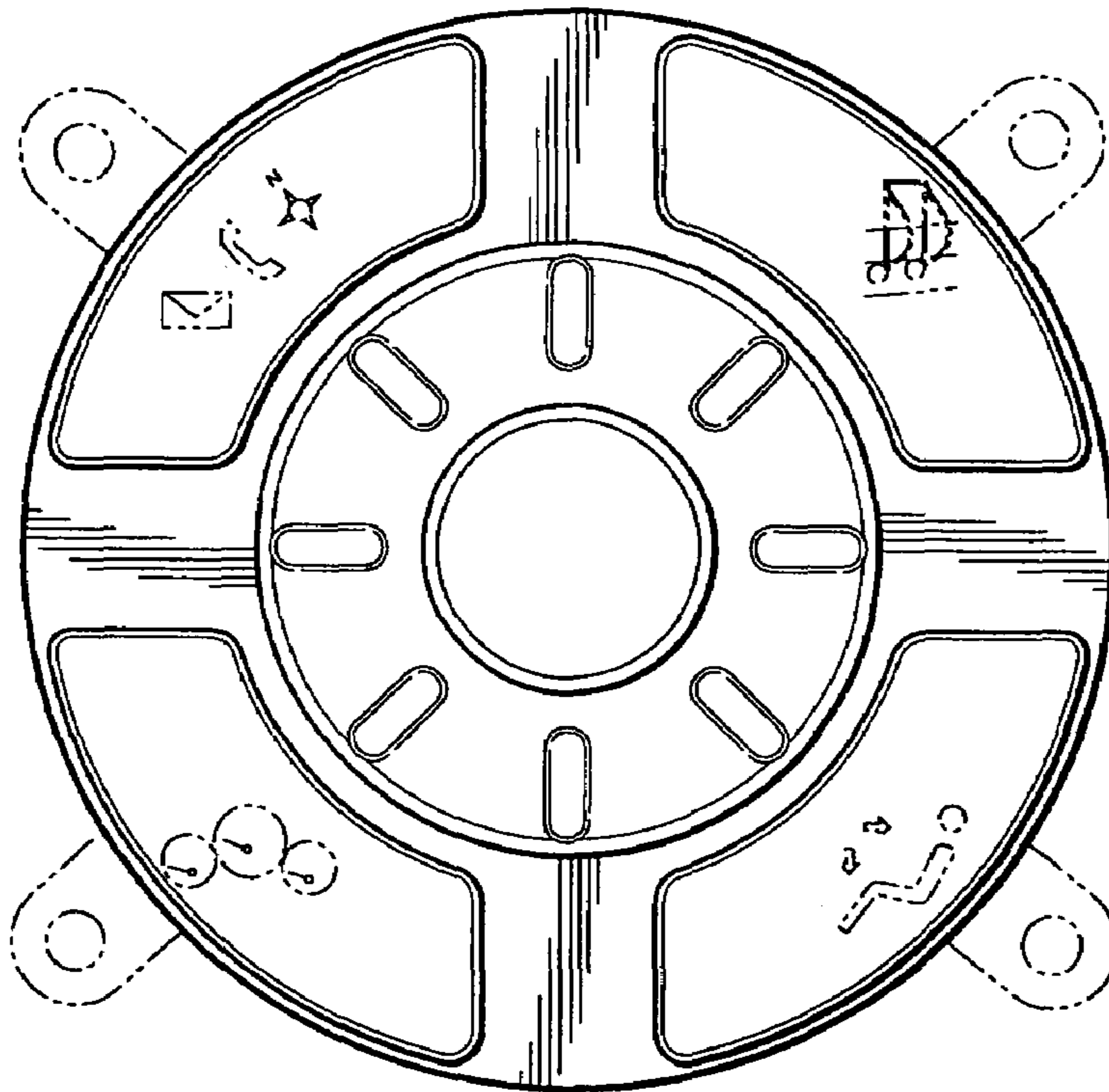


FIG - 3