



US00D564970S

(12) **United States Design Patent**
Higuchi et al.

(10) **Patent No.:** **US D564,970 S**

(45) **Date of Patent:** **** Mar. 25, 2008**

(54) **ELECTRICAL CONNECTOR**

(75) Inventors: **Masao Higuchi**, Tokyo (JP); **Takaaki Kudo**, Tokyo (JP)

(73) Assignee: **Japan Aviation Electronics Industry, Limited**, Tokyo (JP)

(**) Term: **14 Years**

(21) Appl. No.: **29/288,589**

(22) Filed: **Jun. 15, 2007**

(30) **Foreign Application Priority Data**

Apr. 3, 2007 (JP) 2007-008799

(51) **LOC (8) Cl.** **13-03**

(52) **U.S. Cl.** **D13/147**

(58) **Field of Classification Search** D13/146-147,
D13/154, 184; D14/432-433, 435-436,
D14/438; 439/64, 79, 72-74, 159-160, 326,
439/492, 495, 862, 607-610, 630-631

See application file for complete search history.

(56) **References Cited**

U.S. PATENT DOCUMENTS

D470,110 S *	2/2003	Yamane	D13/147
D489,330 S *	5/2004	Li et al.	D13/147
D517,017 S *	3/2006	Yokoo et al.	D13/147
D517,492 S *	3/2006	Nakamura et al.	D13/147
D530,674 S *	10/2006	Ko	D13/147
D533,138 S *	12/2006	Yoshikai	D13/147
D545,275 S *	6/2007	Wei et al.	D13/147
7,270,567 B2 *	9/2007	Inoue	439/495

* cited by examiner

Primary Examiner—Daniel Bui
(74) *Attorney, Agent, or Firm*—Collard & Roe, P.C.

(57) **CLAIM**

The ornamental design for an electrical connector, as shown and described.

DESCRIPTION

FIG. 1 is a front elevational view of an electrical connector, showing our new design;

FIG. 2 is a rear elevational view thereof;

FIG. 3 is a left side elevational view thereof;

FIG. 4 is a right side elevational view thereof;

FIG. 5 is a top plan view thereof;

FIG. 6 is a bottom plan view thereof;

FIG. 7 is a sectional view thereof taken along the line 7—7 of FIG. 1;

FIG. 8 is a sectional view thereof taken along the line 8—8 of FIG. 1;

FIG. 9 is a front, top, and right side perspective view thereof;

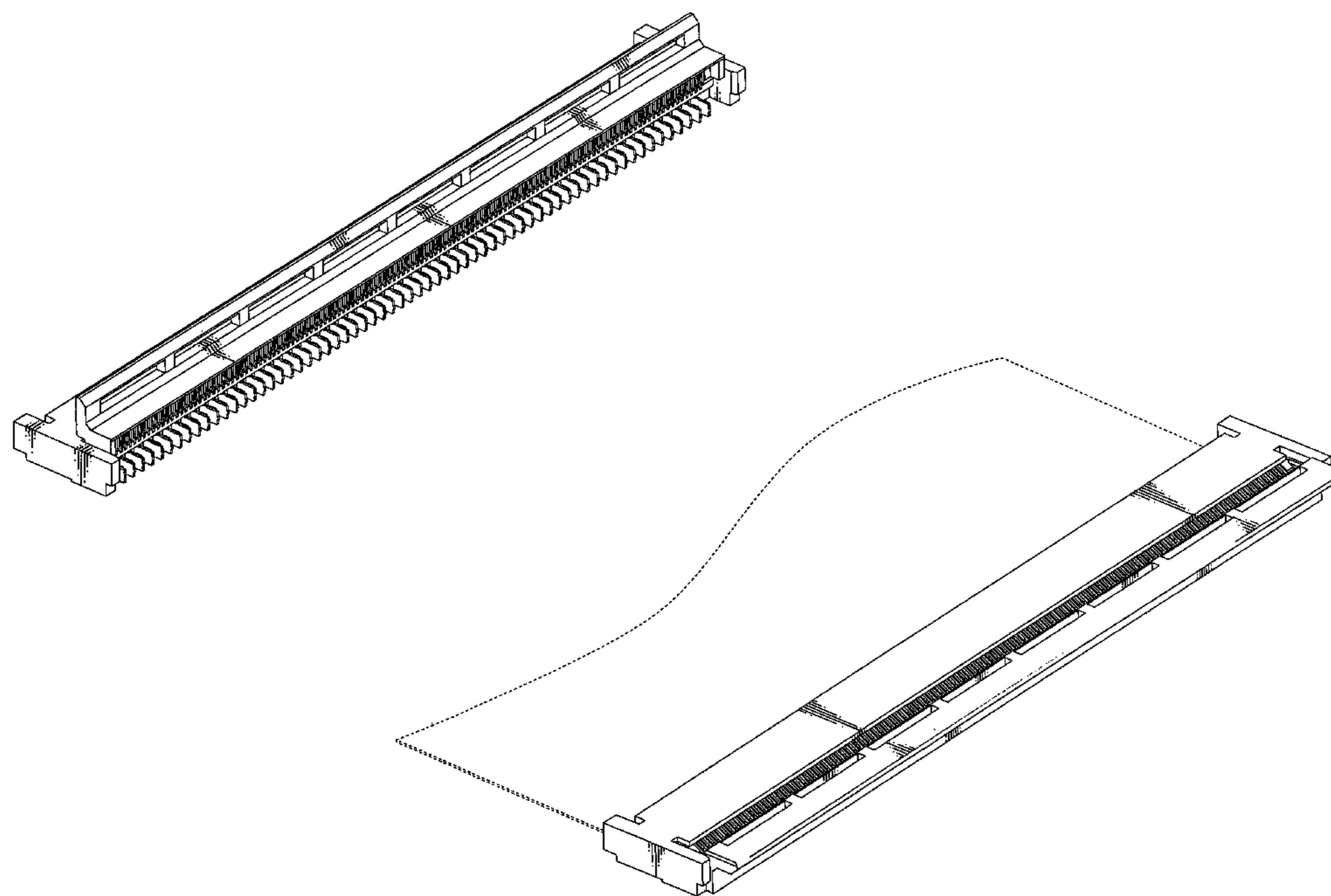
FIG. 10 is a rear, top, and right side perspective view thereof;

FIG. 11 is a front, top, and right side perspective view thereof, in use condition; and,

FIG. 12 is a rear, top, and right side perspective view thereof, in use condition.

The broken line showing of the environment is for illustrative purposes only and forms no part of the claimed design.

1 Claim, 8 Drawing Sheets



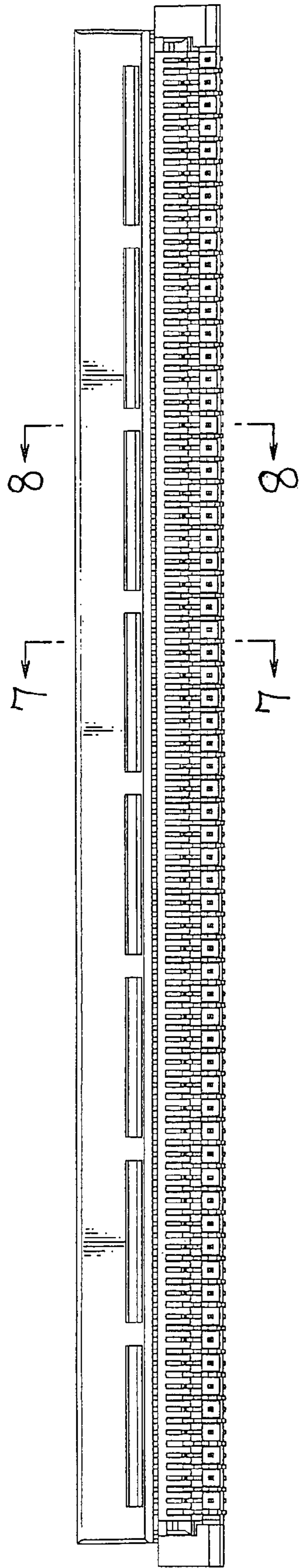


FIG. 1

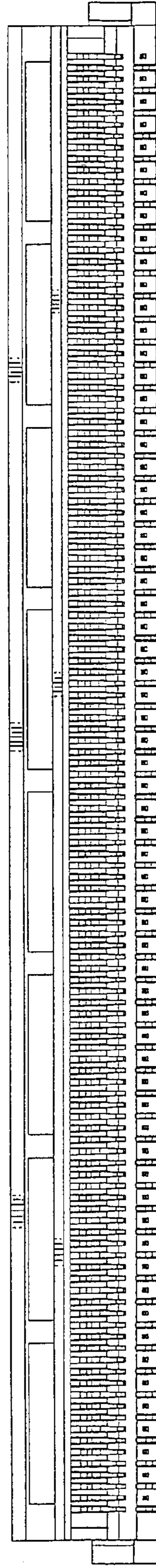


FIG. 2

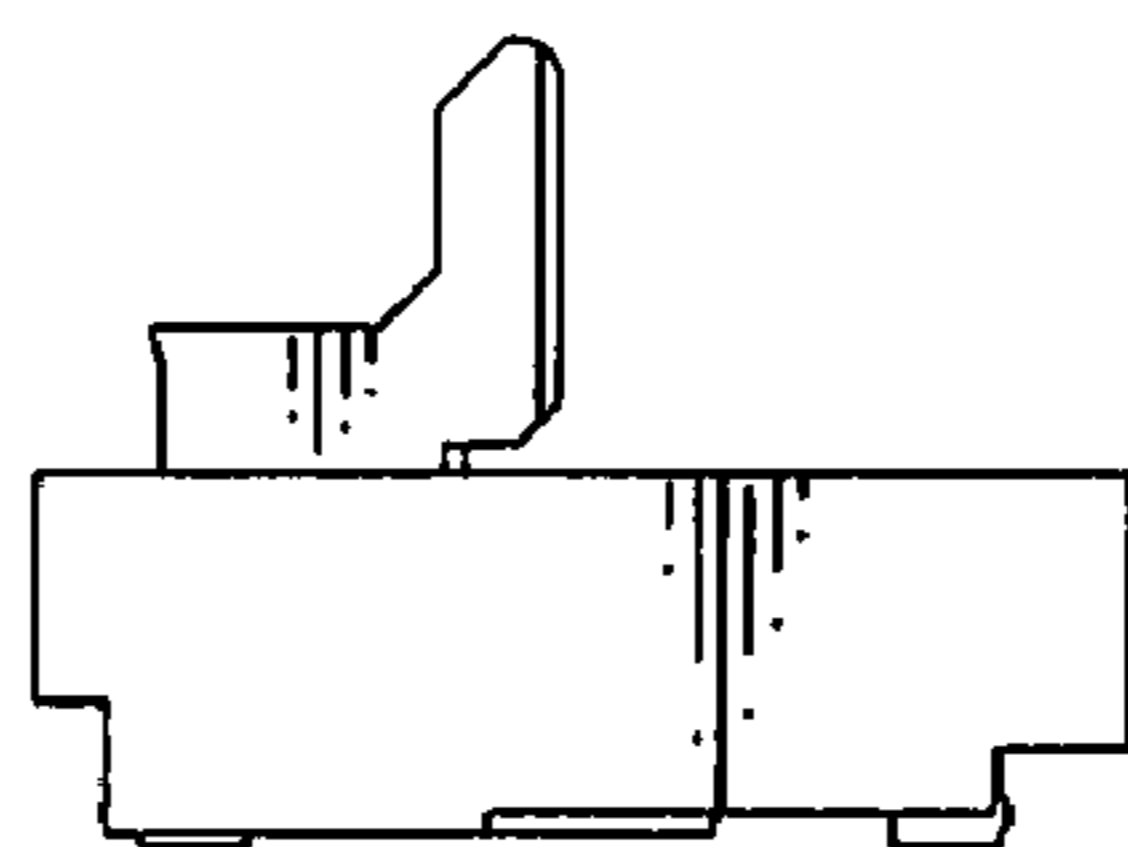


FIG. 3

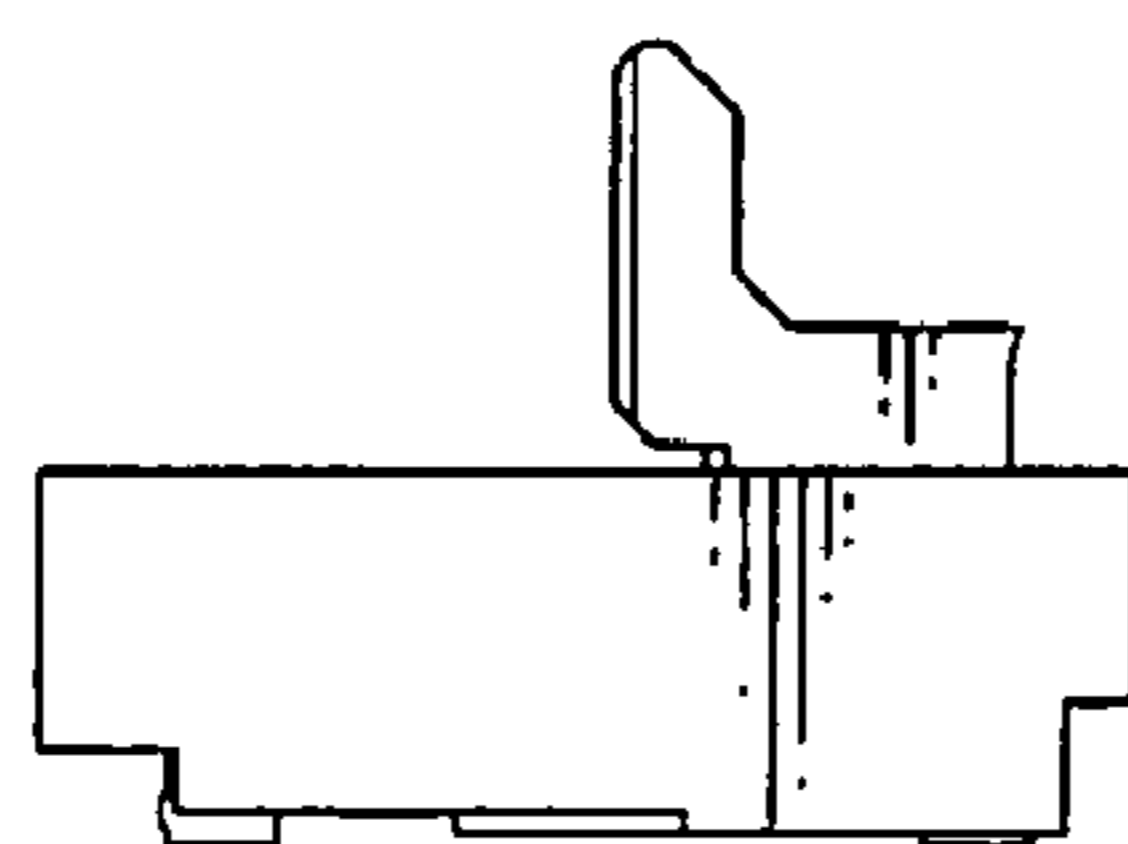


FIG. 4

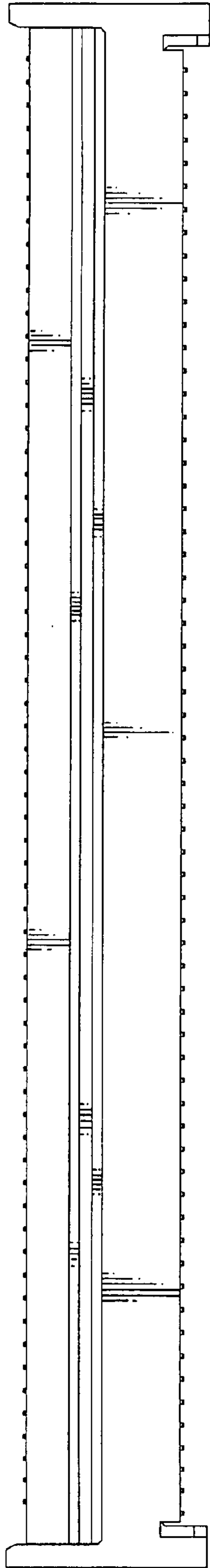


FIG. 5

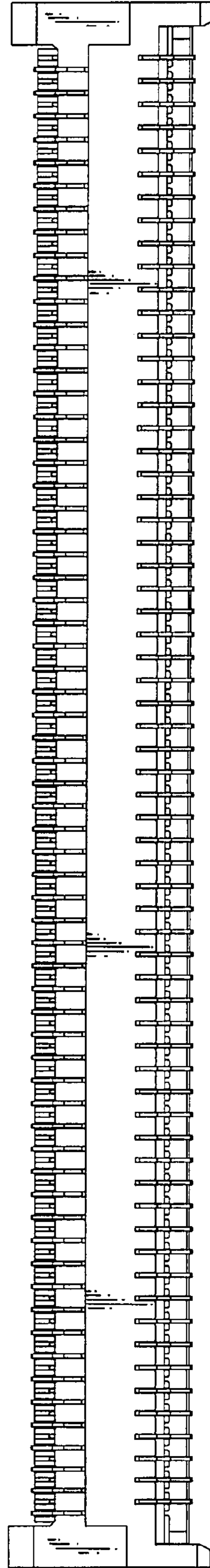


FIG. 6

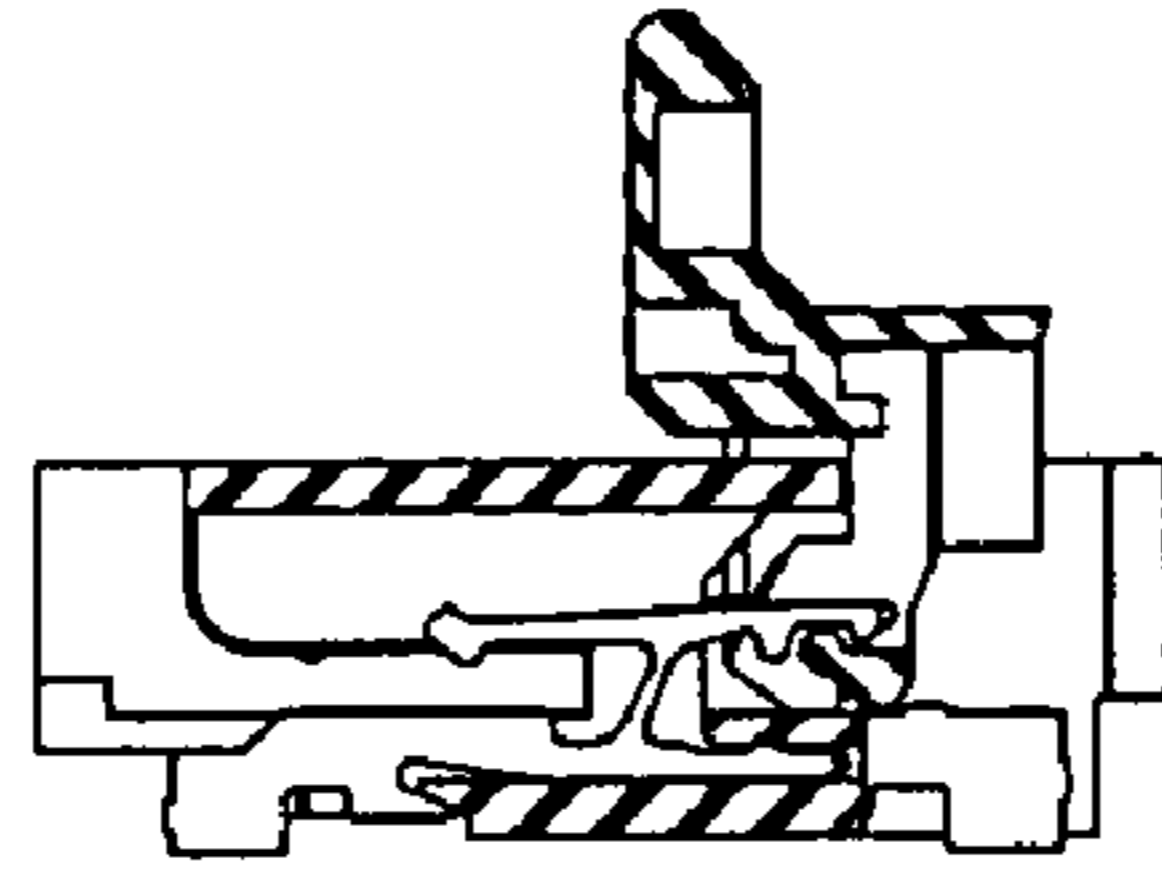


FIG. 7

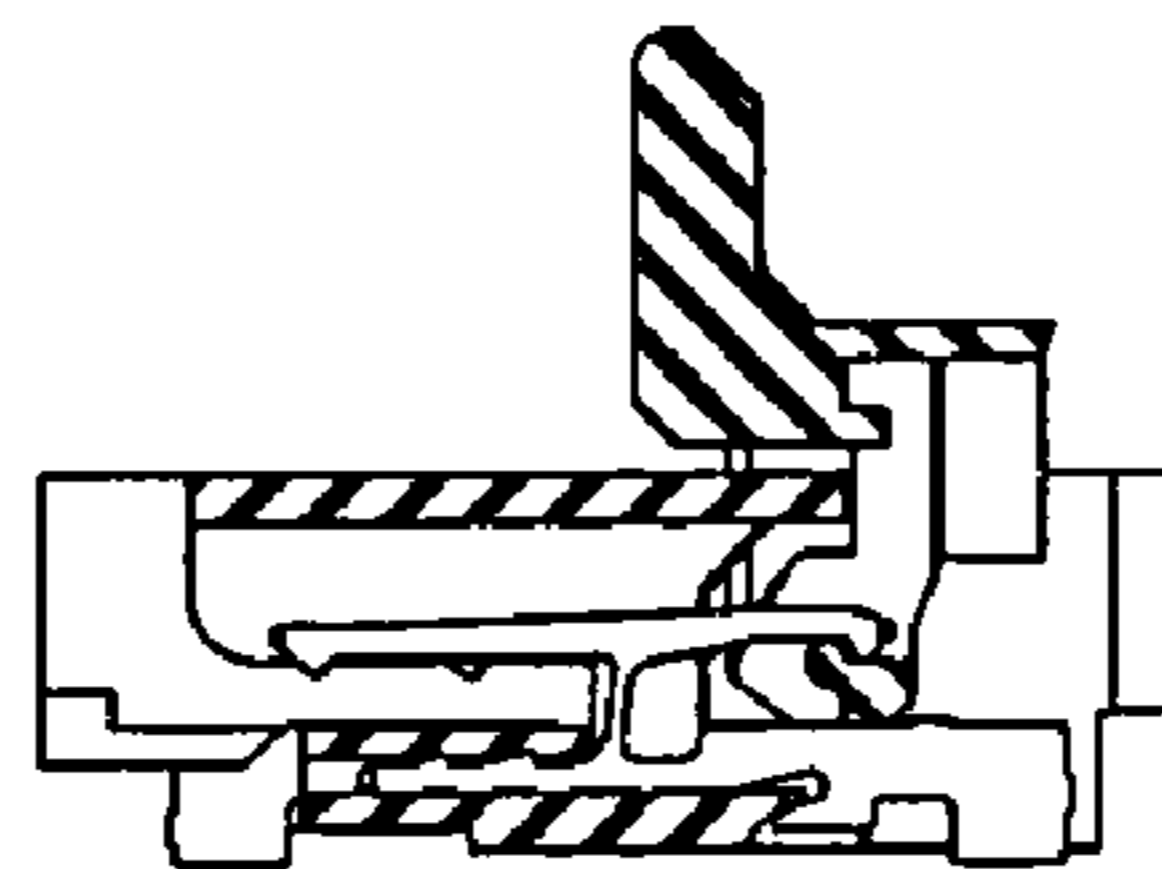


FIG. 8

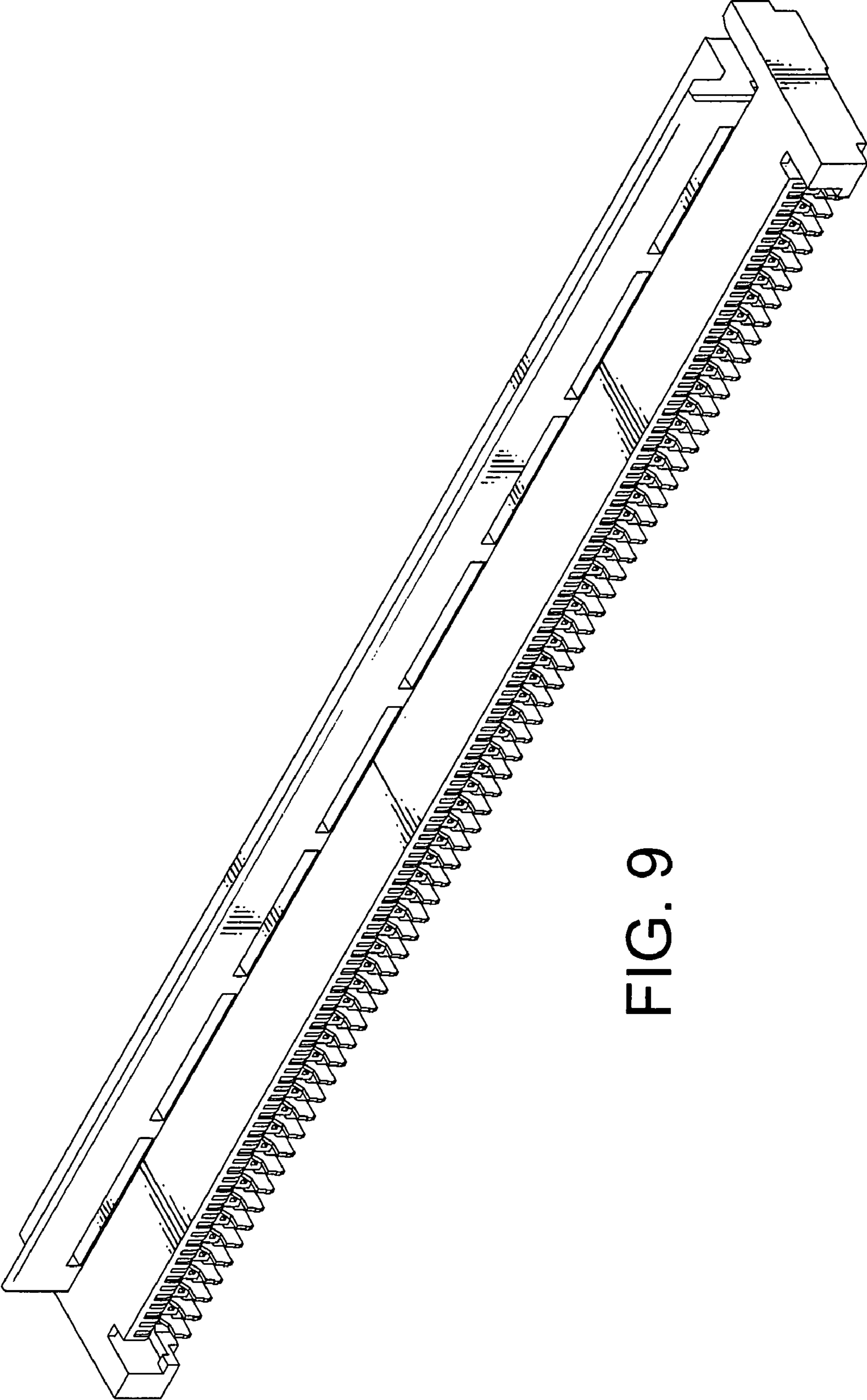


FIG. 9

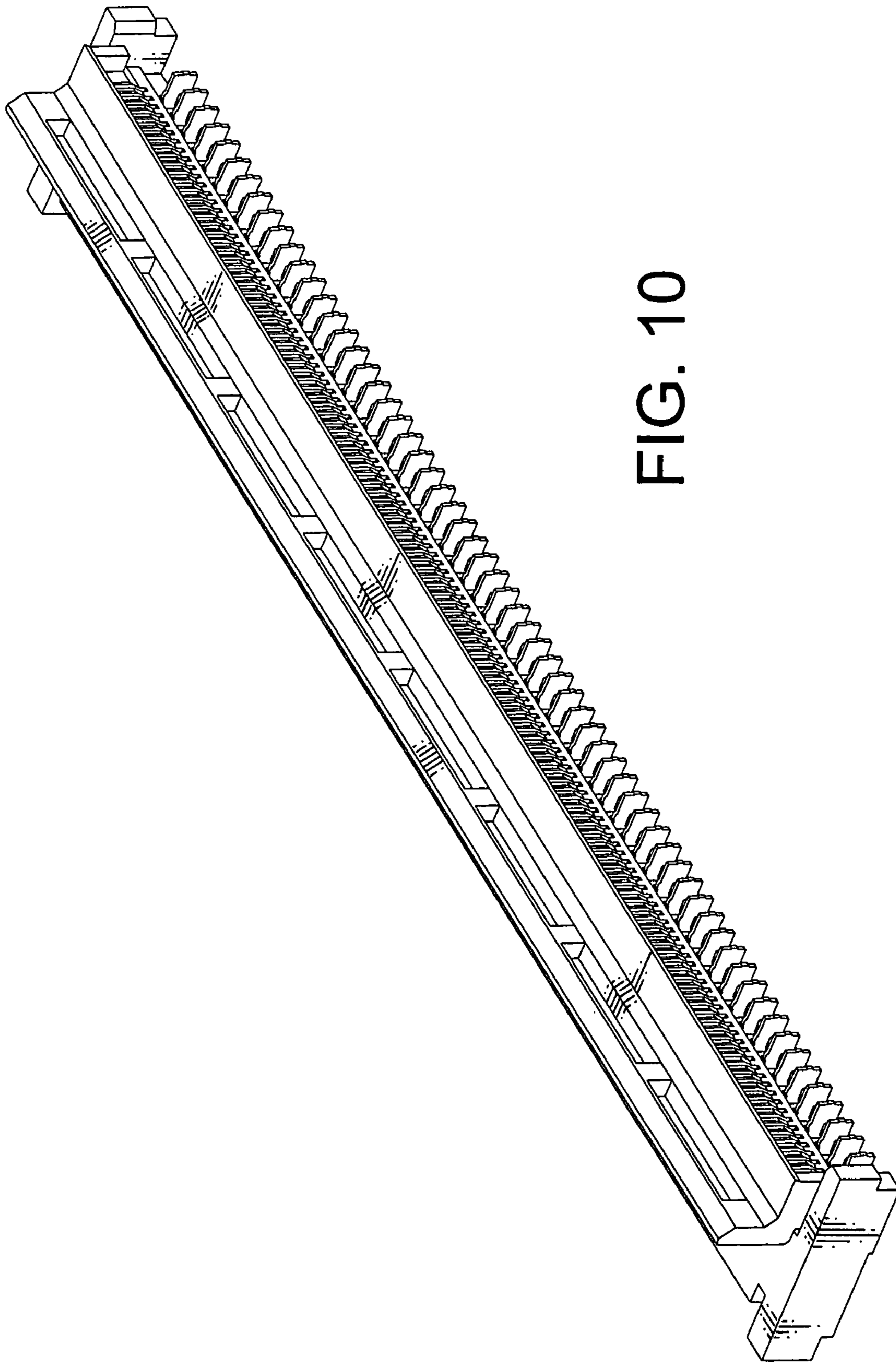


FIG. 10

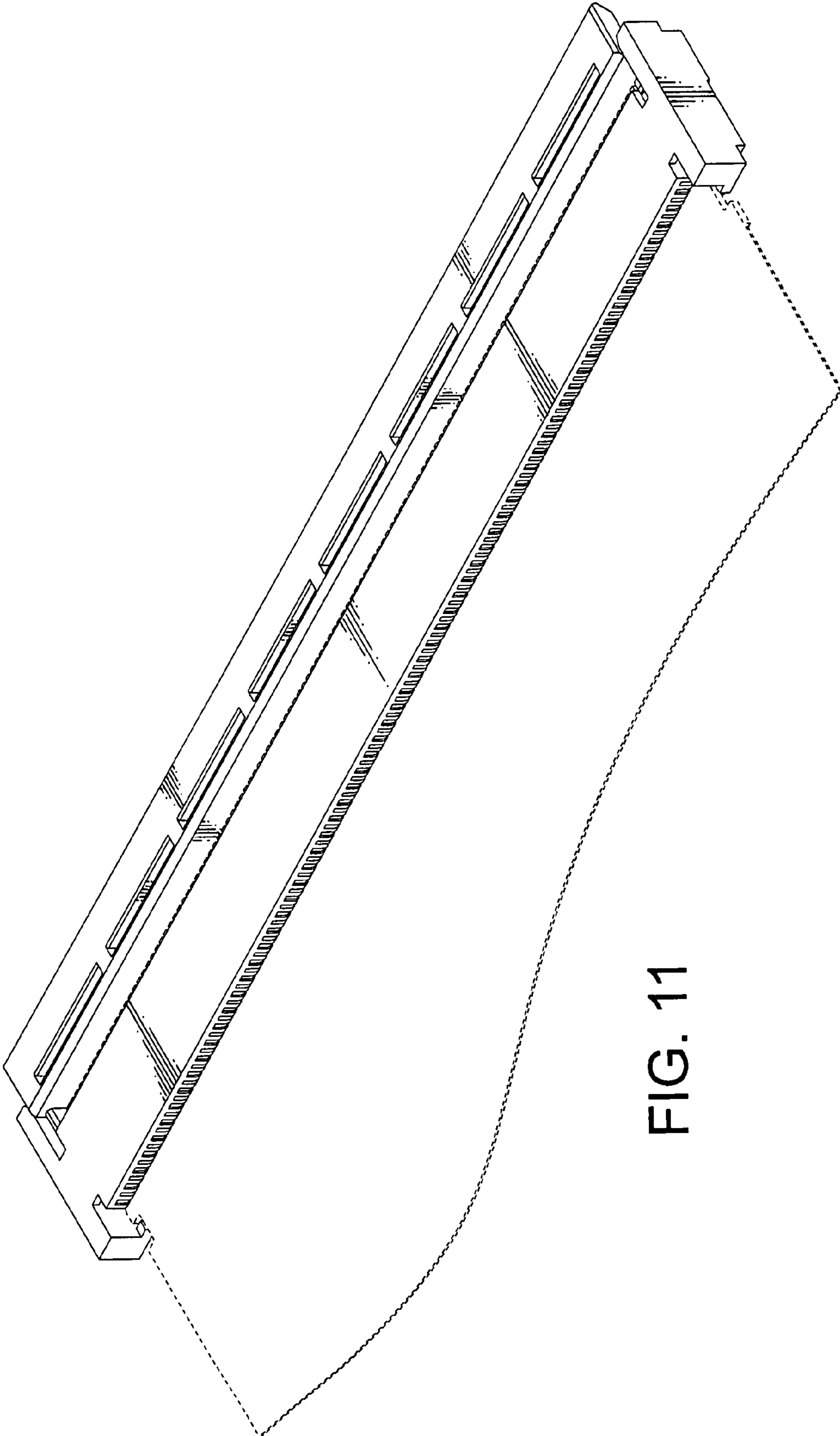


FIG. 11

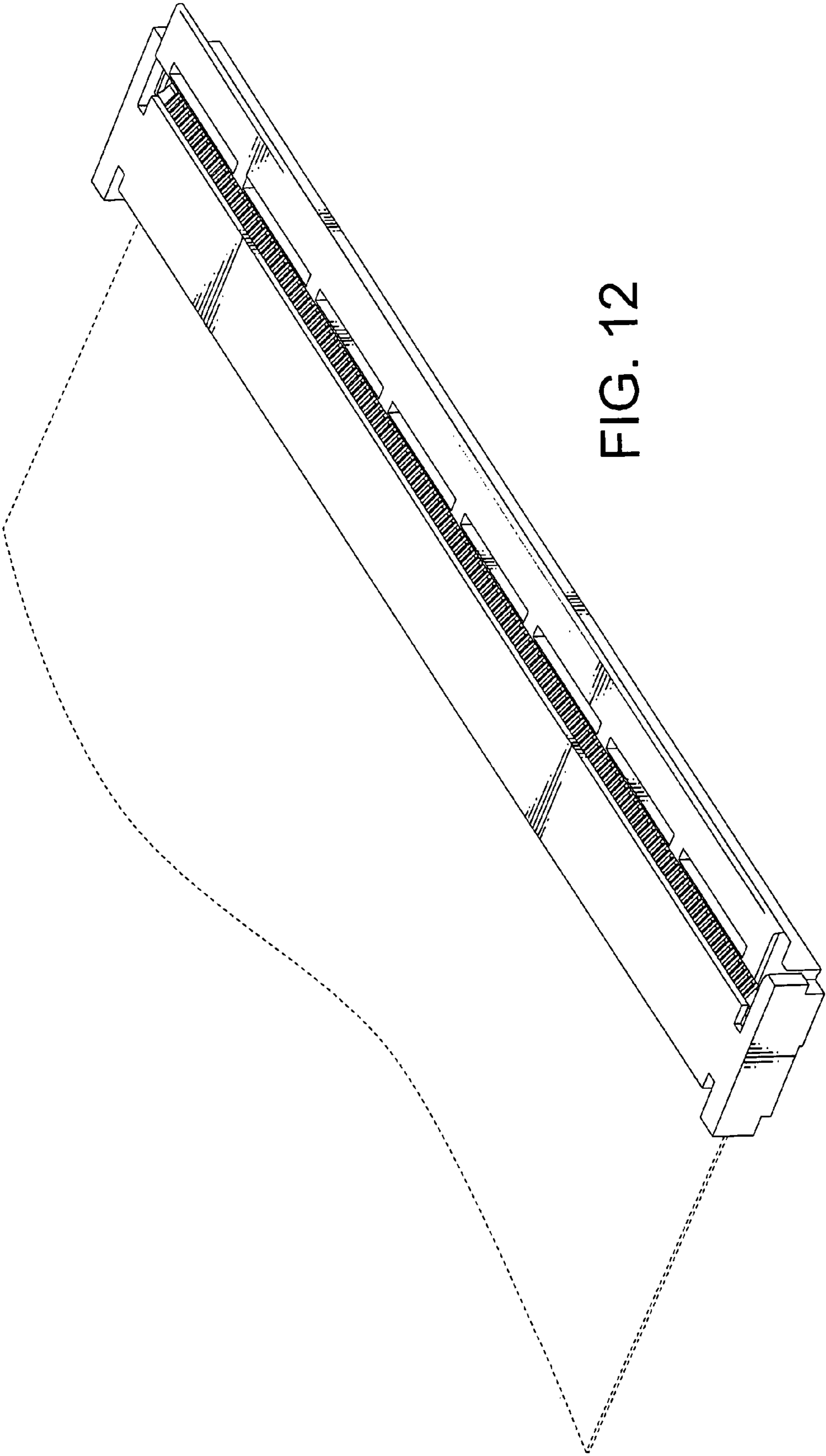


FIG. 12