



US00D564969S

(12) **United States Design Patent**
Chen

(10) **Patent No.:** **US D564,969 S**

(45) **Date of Patent:** **** Mar. 25, 2008**

(54) **INSULATION DISPLACEMENT CONNECTION
TERMINAL ASSEMBLY**

6,283,795 B1 * 9/2001 Chen 439/676
6,371,802 B1 * 4/2002 Smalley et al. 439/567
D474,153 S * 5/2003 Smalley et al. D13/147

(75) Inventor: **Michael Chen**, Keelung (TW)

* cited by examiner

(73) Assignee: **Surtec Industries Inc.**, Keelung (TW)

Primary Examiner—Daniel Bui

(**) Term: **14 Years**

(74) *Attorney, Agent, or Firm*—Rabin & Berdo, P.C.

(21) Appl. No.: **29/251,600**

(57) **CLAIM**

(22) Filed: **Jan. 11, 2006**

The ornamental design for an insulation displacement connection terminal assembly, as shown and described.

(51) **LOC (8) Cl.** **13-03**

(52) **U.S. Cl.** **D13/147**

(58) **Field of Classification Search** D13/133,
D13/146–147, 154, 184, 199; 439/78, 82,
439/567, 571, 676, 941

See application file for complete search history.

DESCRIPTION

FIG. 1 is a perspective view of an insulation displacement connection terminal assembly showing my new design;

FIG. 2 is front elevational view thereof;

FIG. 3 is a rear elevational view thereof;

FIG. 4 is a left side elevational view thereof;

FIG. 5 is a right side elevational view thereof;

FIG. 6 is a top plan view thereof; and,

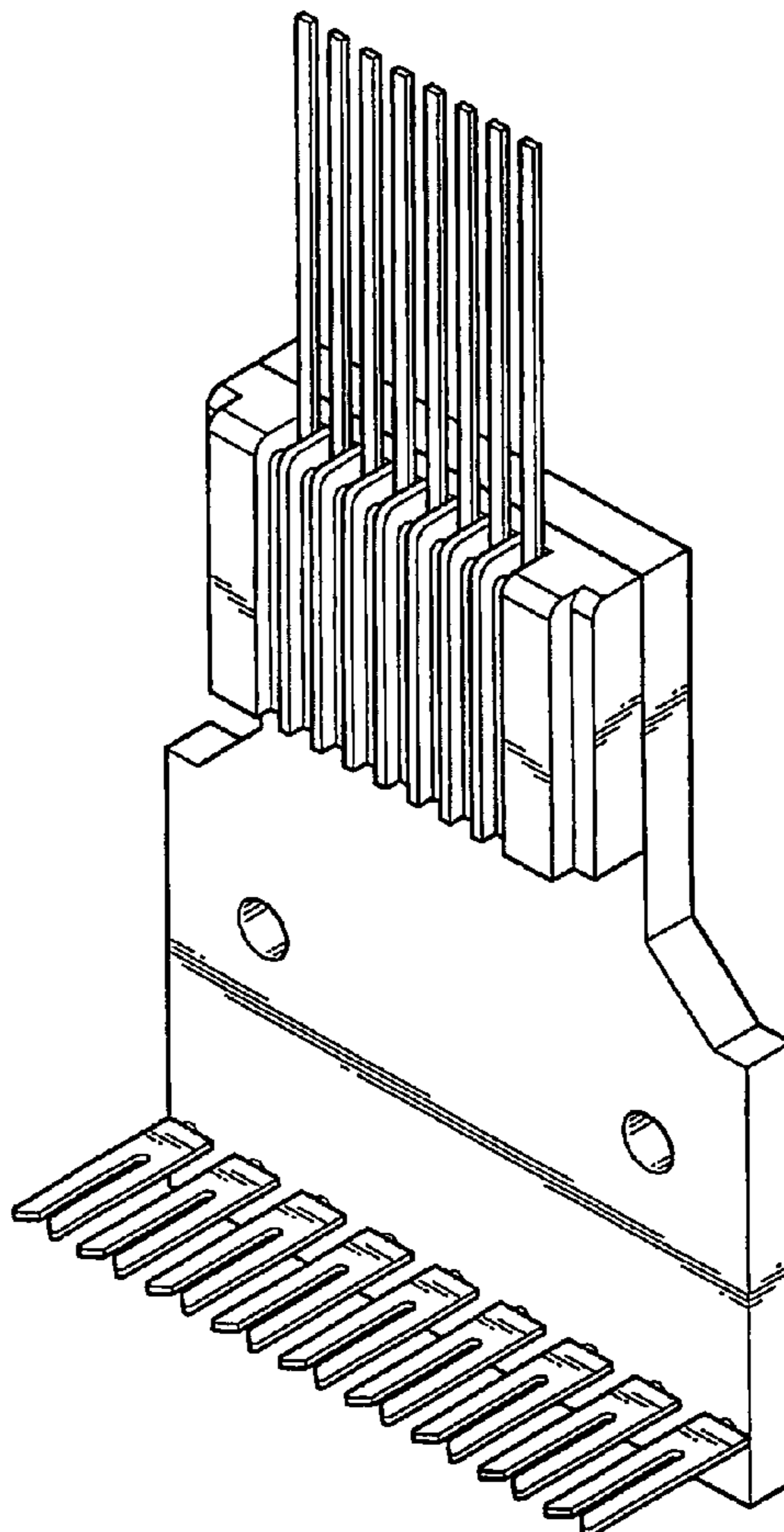
FIG. 7 is a bottom plan view thereof.

(56) **References Cited**

U.S. PATENT DOCUMENTS

3,530,426 A * 9/1970 Snyder, Jr. 439/557
D229,940 S * 1/1974 Irie D13/147
4,553,801 A * 11/1985 Zajeski 439/595
5,921,788 A * 7/1999 Wilson et al. 439/78
6,042,423 A * 3/2000 Murr et al. 439/590

1 Claim, 4 Drawing Sheets



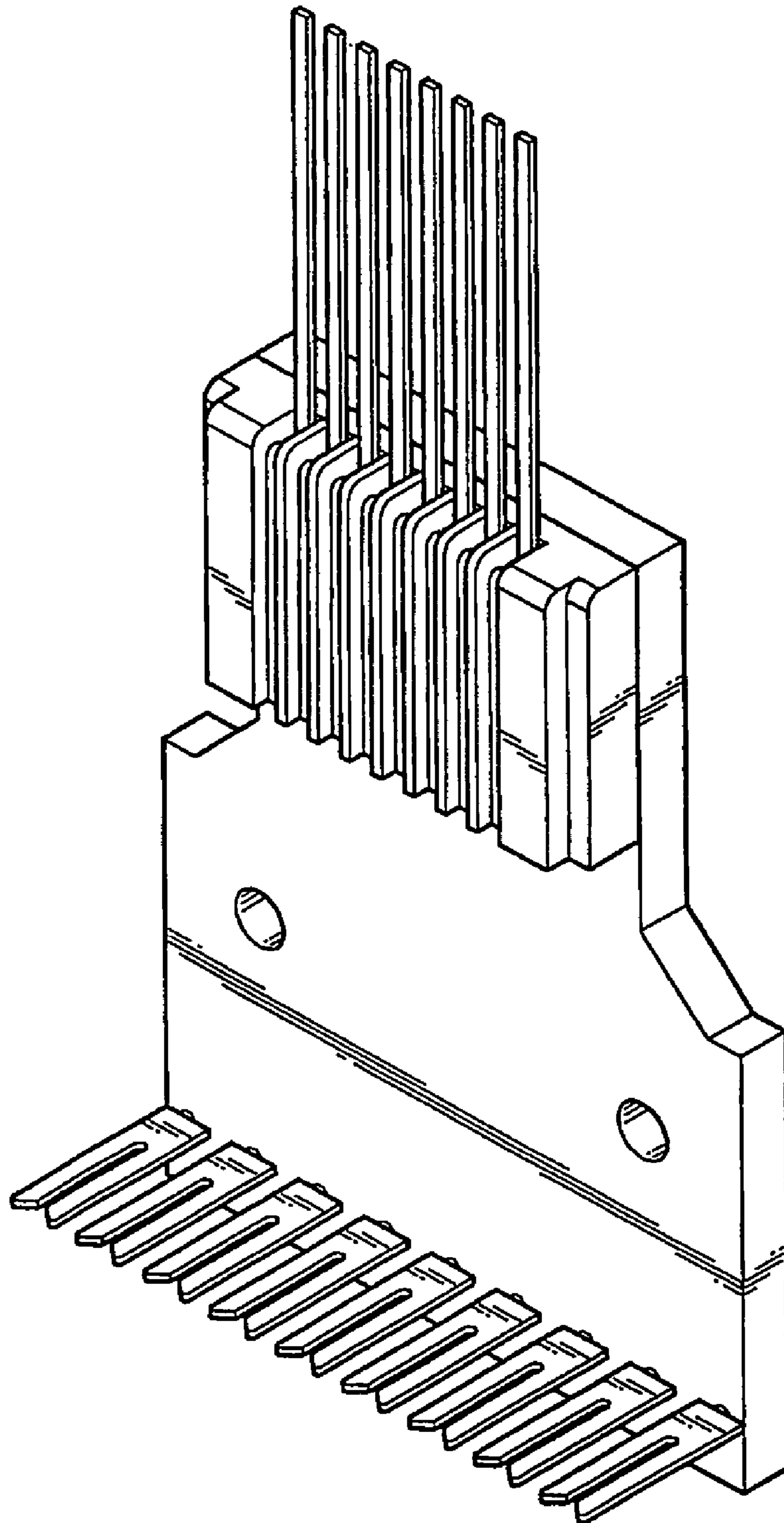


FIG.1

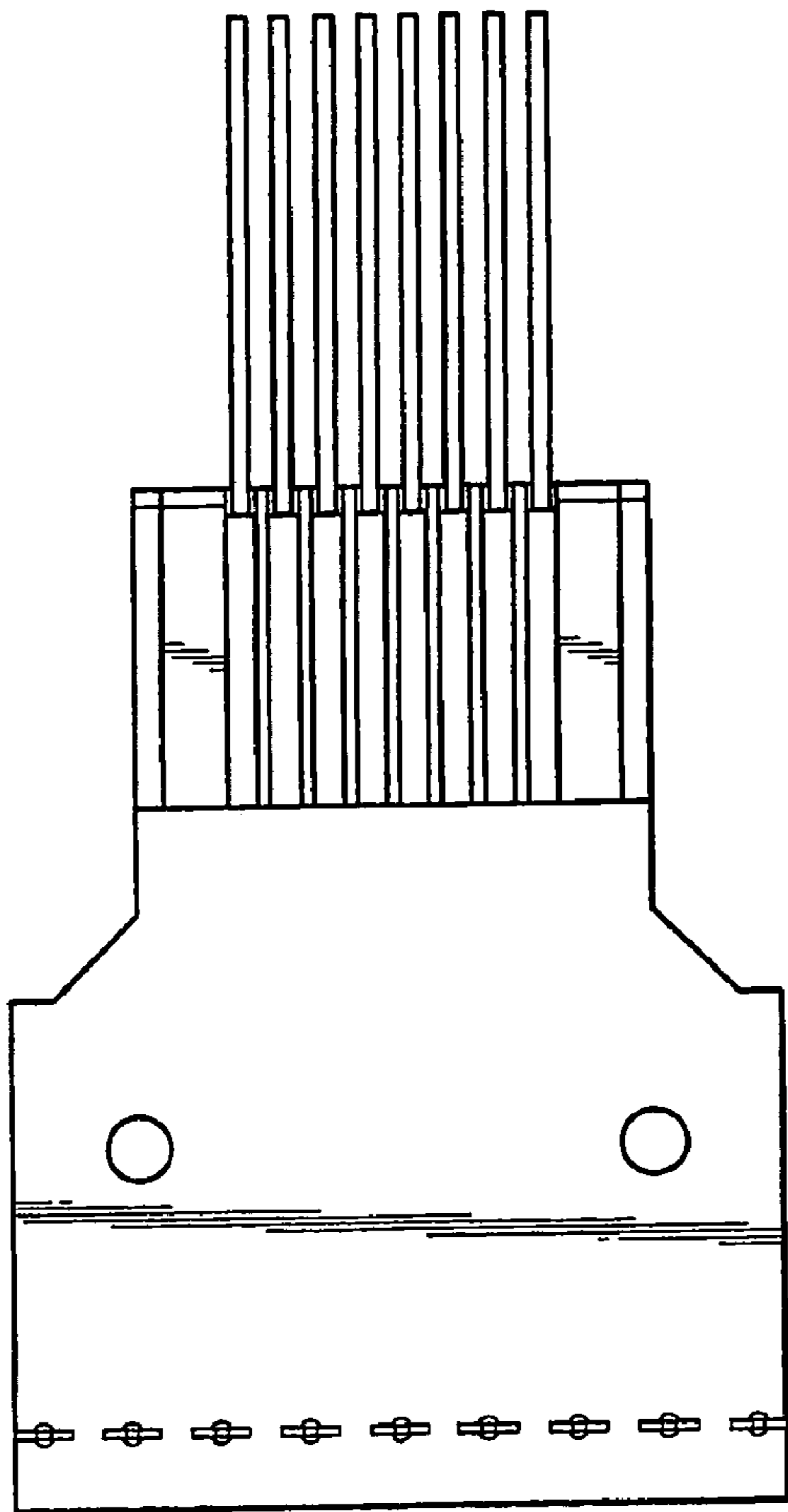


FIG. 2

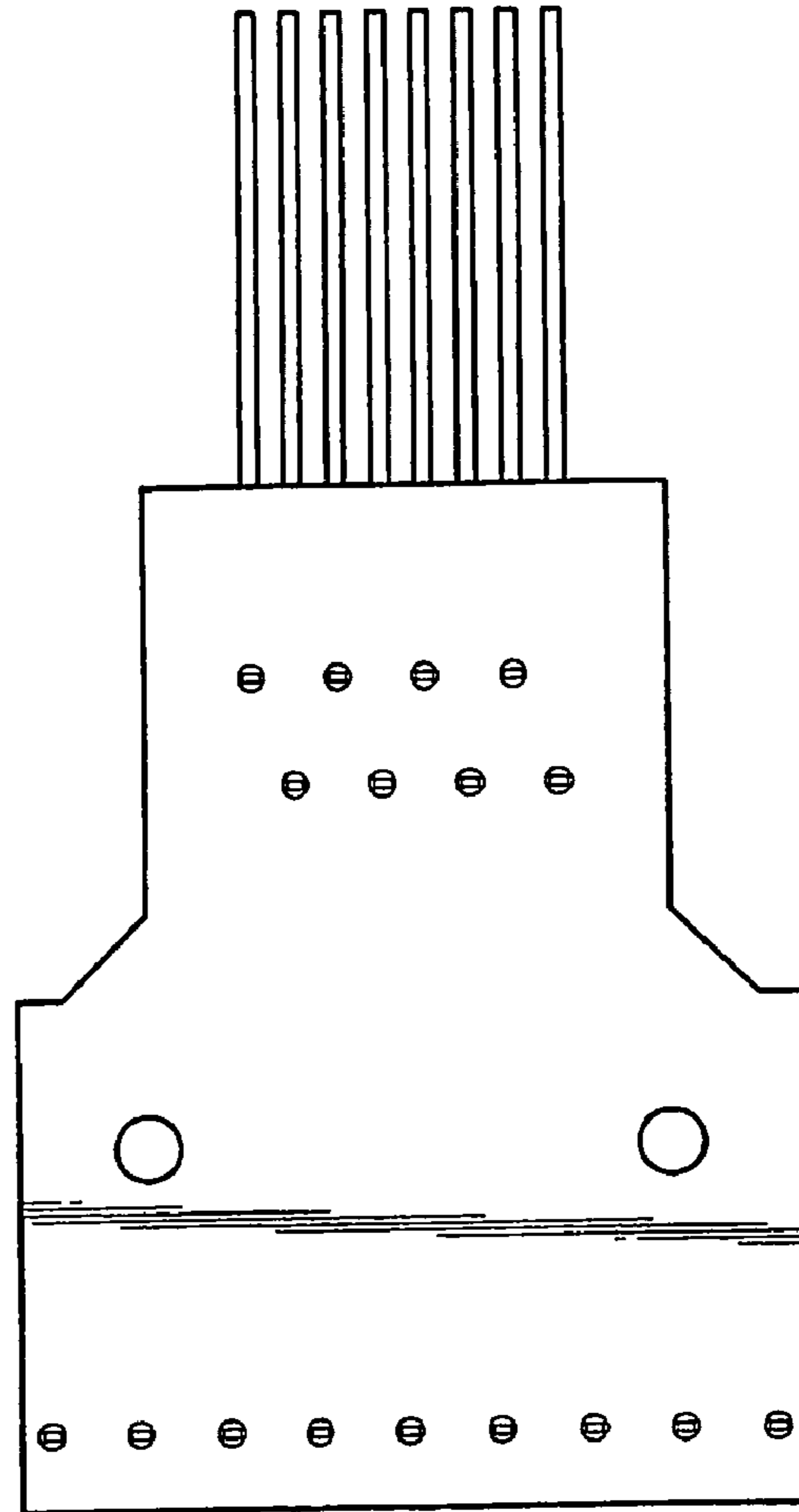


FIG. 3

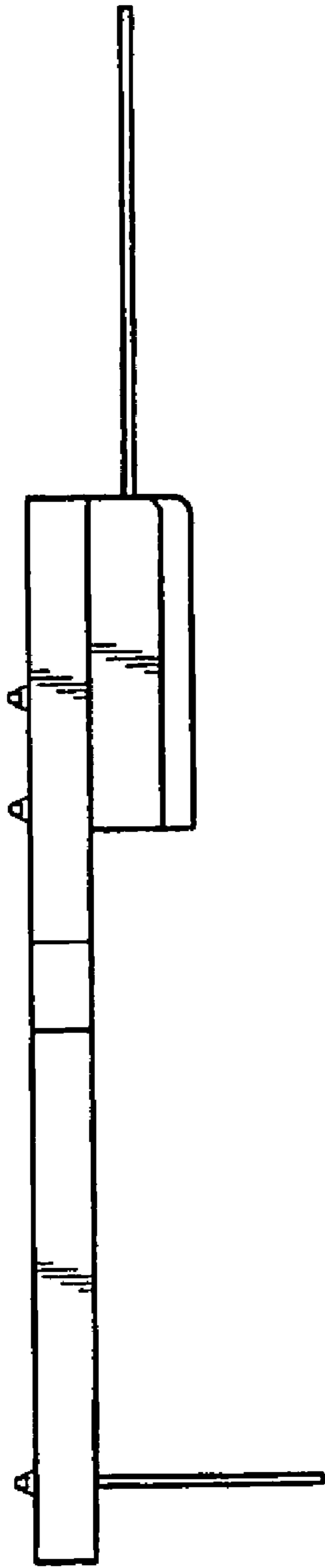


FIG. 4

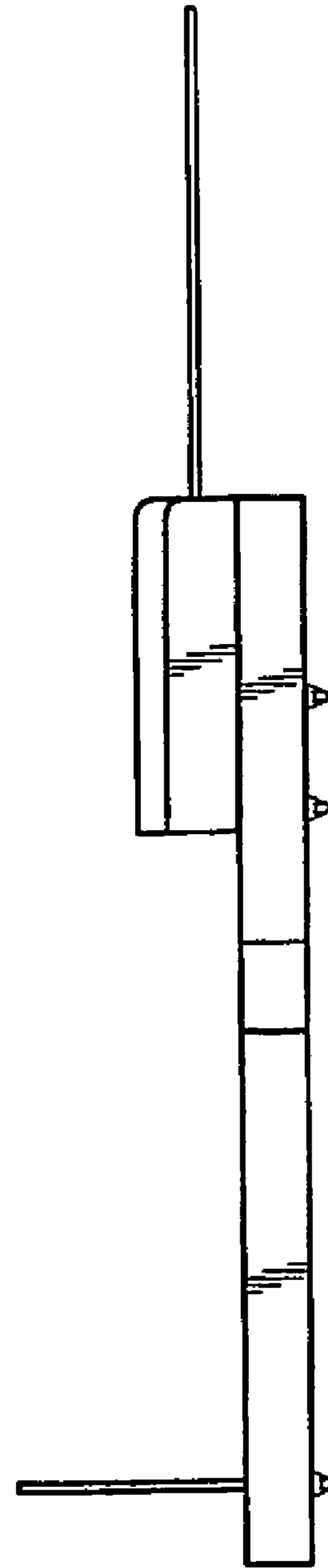


FIG. 5

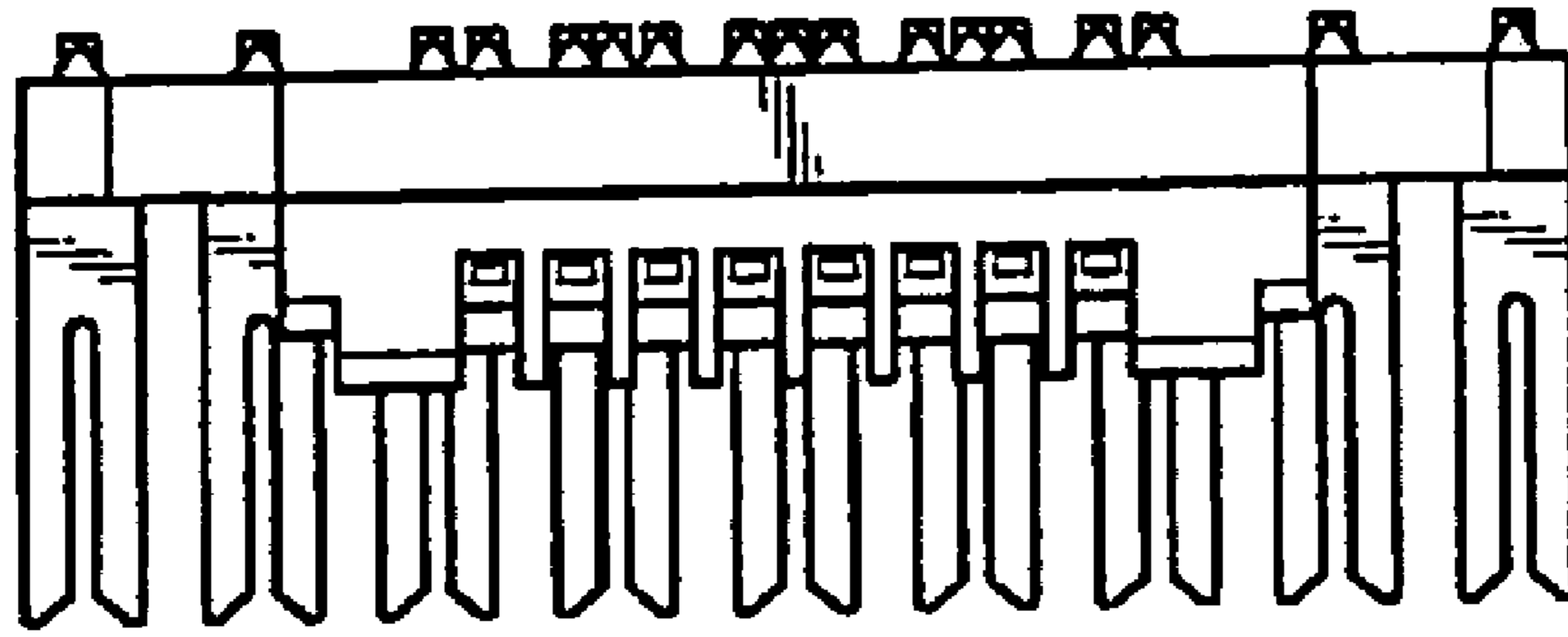


FIG. 6

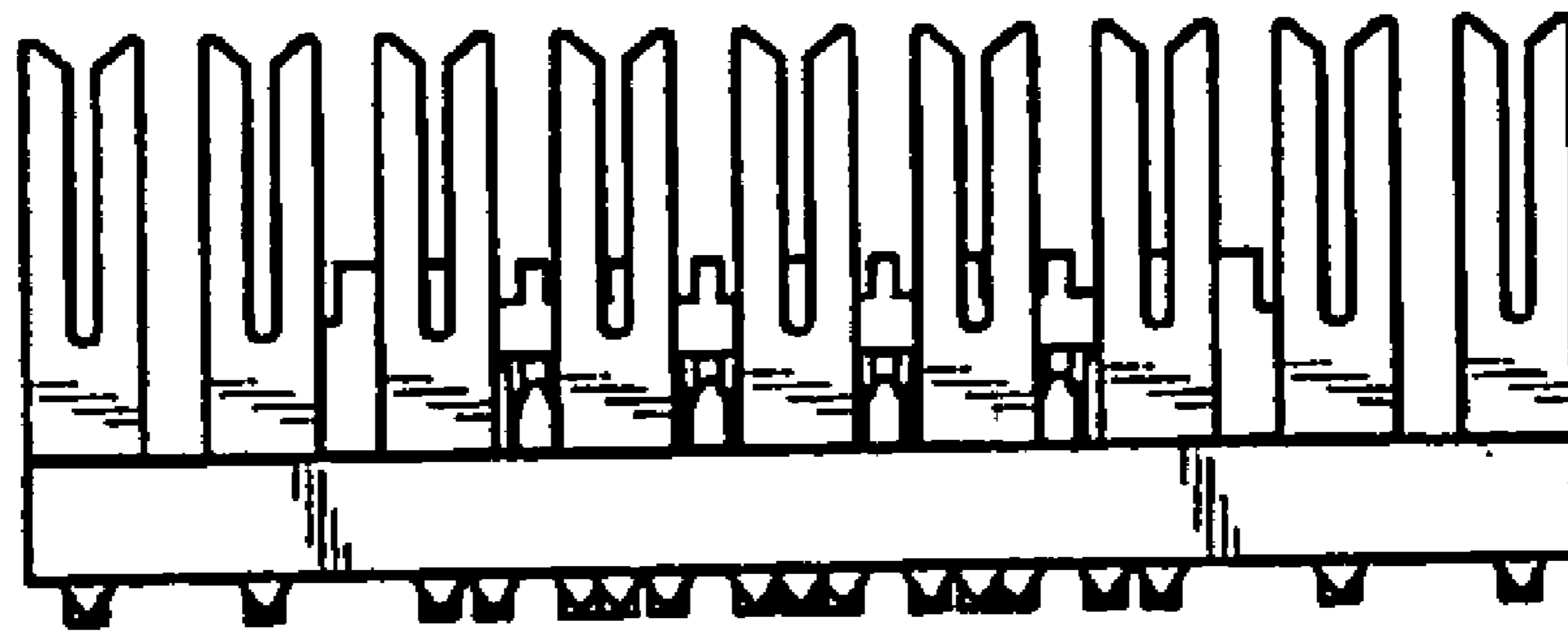


FIG. 7