



US00D564968S

(12) **United States Design Patent**  
**Sakamoto**

(10) **Patent No.:** **US D564,968 S**  
(45) **Date of Patent:** **\*\* Mar. 25, 2008**

(54) **MALE-TYPE TUBE CONNECTOR HOUSING**

*Primary Examiner*—Daniel Bui  
(74) *Attorney, Agent, or Firm*—Barley Snyder LLC

(75) **Inventor:** **Tetsuma Sakamoto**, Tokyo (JP)

(73) **Assignee:** **Tyco Electronics AMP K.K.**,  
Kanagawa-ken (JP)

(57) **CLAIM**

(\*\*) **Term:** **14 Years**

The ornamental design for a male-type tube connector housing, as shown and described.

(21) **Appl. No.:** **29/250,748**

(22) **Filed:** **Nov. 30, 2006**

**DESCRIPTION**

(30) **Foreign Application Priority Data**

May 31, 2006 (JP) ..... 2006-013792

(51) **LOC (8) Cl.** ..... **13-03**

(52) **U.S. Cl.** ..... **D13/147; D13/133**

(58) **Field of Classification Search** ..... D13/133,  
D13/154, 184, 146–147; 439/248, 350, 357,  
439/352–354, 540.1, 603, 607, 660, 677,  
439/680–682, 752

See application file for complete search history.

FIG. 1 is a front elevation view of a male-type tube connector housing, showing my new design;

FIG. 2 is a top plan view thereof;

FIG. 3 is a rear elevation view thereof;

FIG. 4 is a right side elevation view thereof;

FIG. 5 is a left side elevation view thereof;

FIG. 6 is a bottom plan view thereof;

FIG. 7 is a top, front and right side perspective view thereof;

FIG. 8 is a bottom, rear and right side perspective view thereof;

FIG. 9 is a top, front and right side perspective view thereof in use condition;

FIG. 10 is a bottom, rear and left side perspective view thereof in use condition; and,

FIG. 11 is a cross-sectional view thereof taken along line 11–11 in FIG. 9.

The broken line showing of the environment is for illustrative purposes only and forms no part of the claimed design.

(56) **References Cited**

**U.S. PATENT DOCUMENTS**

D141,099 S *	5/1945	Baumgardner	.....	D13/173
4,832,615 A *	5/1989	Thakrar et al.	.....	439/272
D311,375 S *	10/1990	Kuzuno et al.	.....	D13/147
D459,310 S *	6/2002	Tanaka	.....	D13/147
D459,701 S *	7/2002	Larsen	.....	D13/147
D460,045 S *	7/2002	Larsen	.....	D13/147
D460,046 S *	7/2002	Wood	.....	D13/147
D508,677 S *	8/2005	Chau et al.	.....	D13/146

\* cited by examiner

**1 Claim, 11 Drawing Sheets**

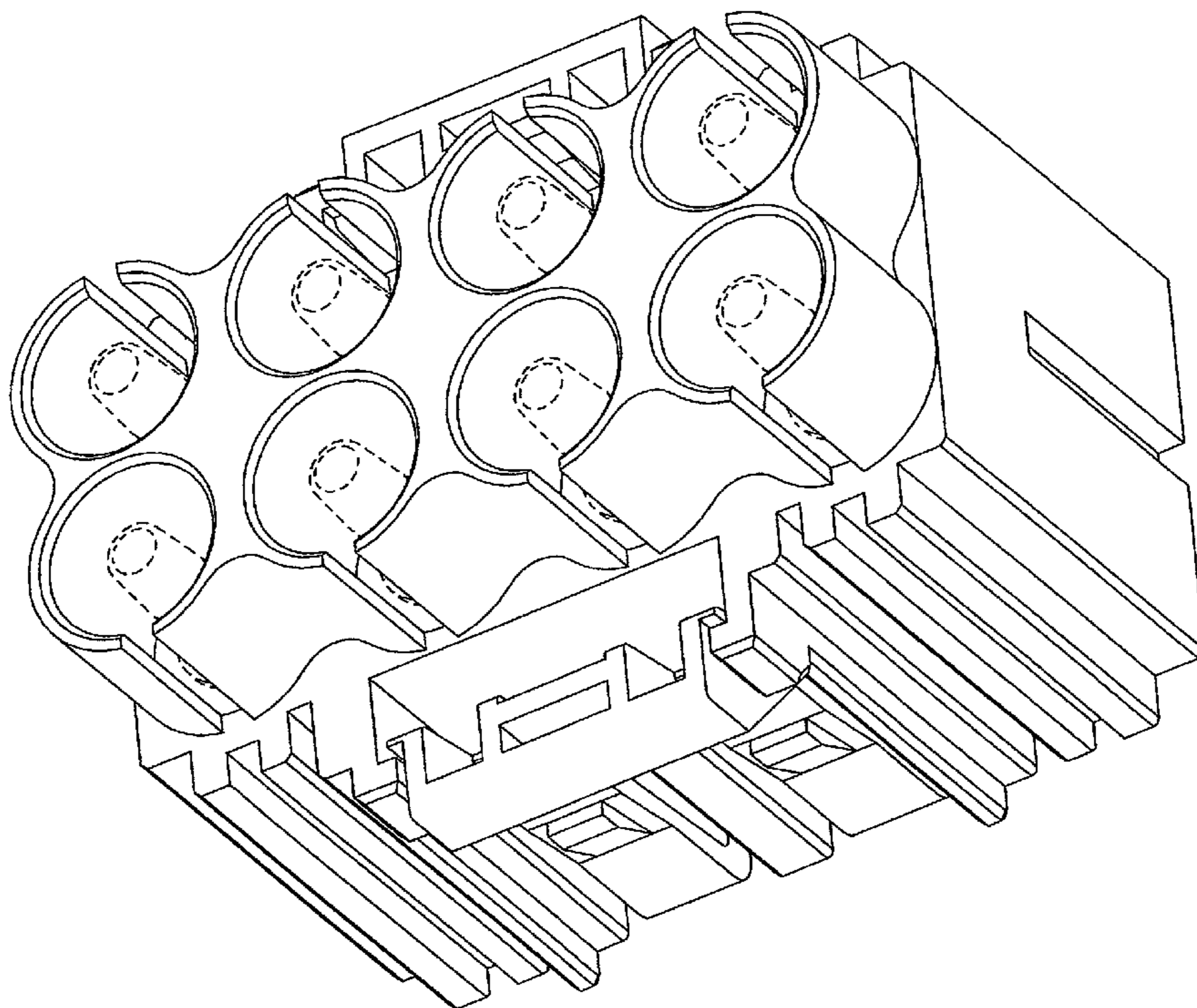


FIG.1

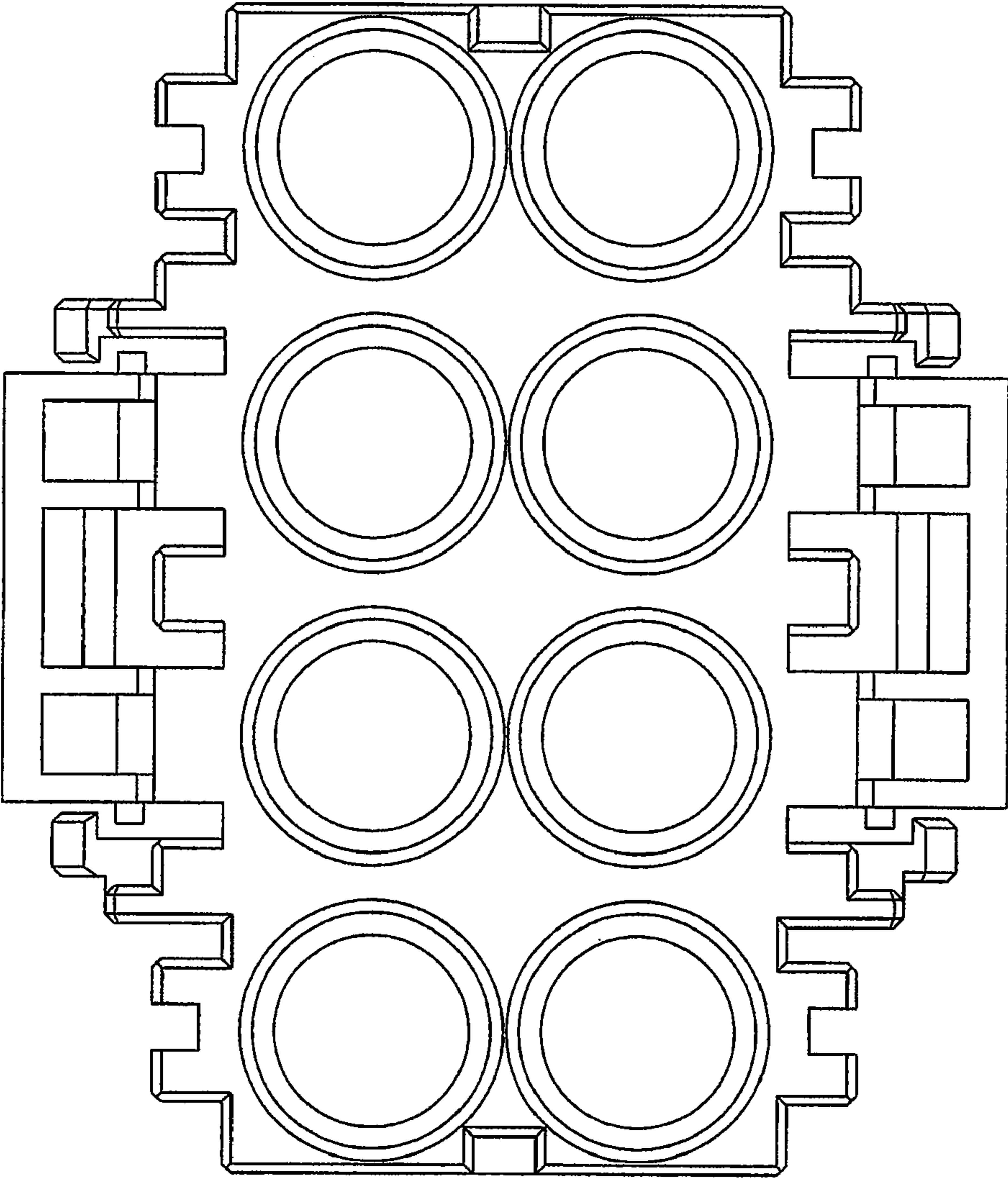


FIG.2

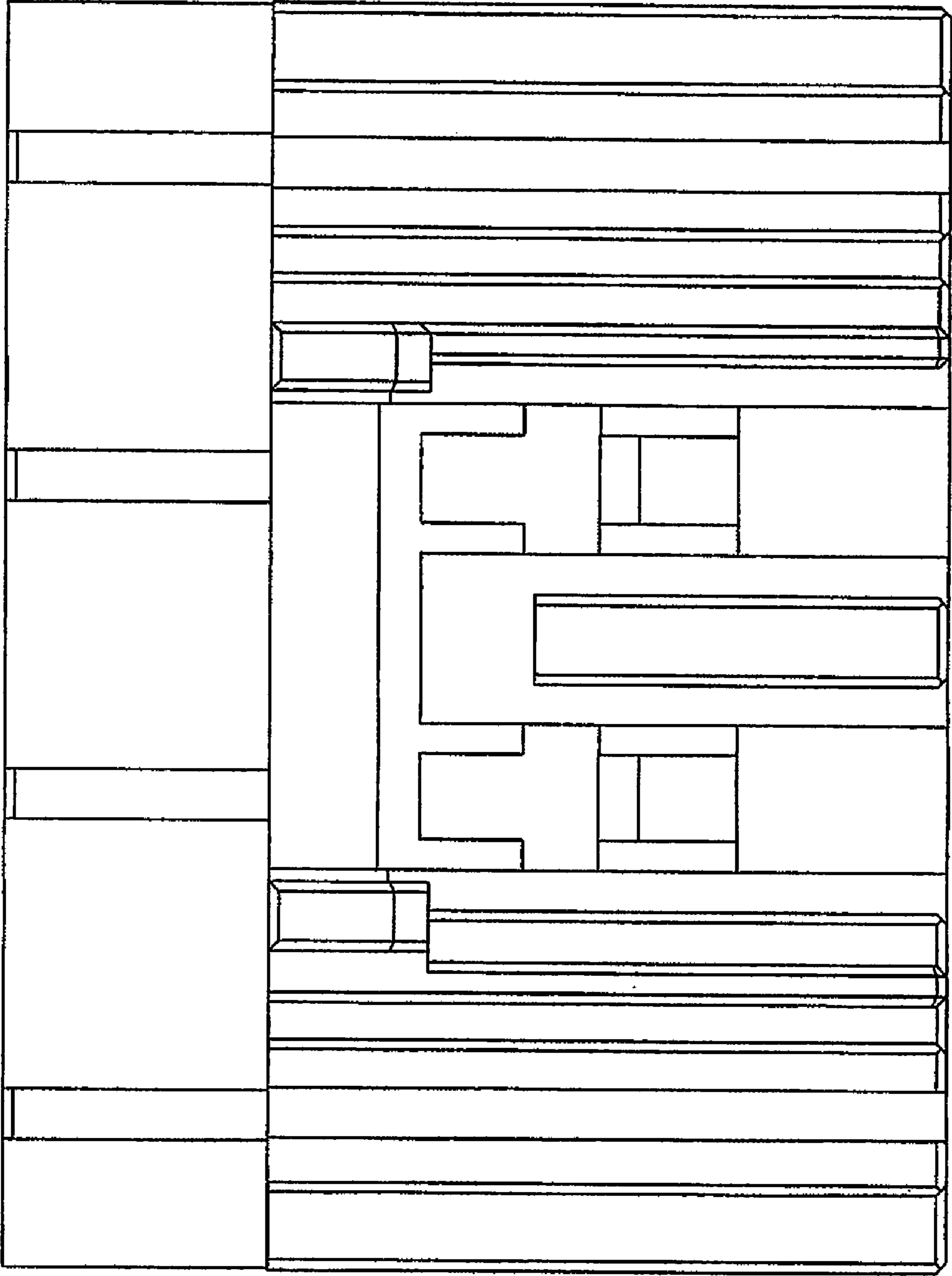


FIG.3

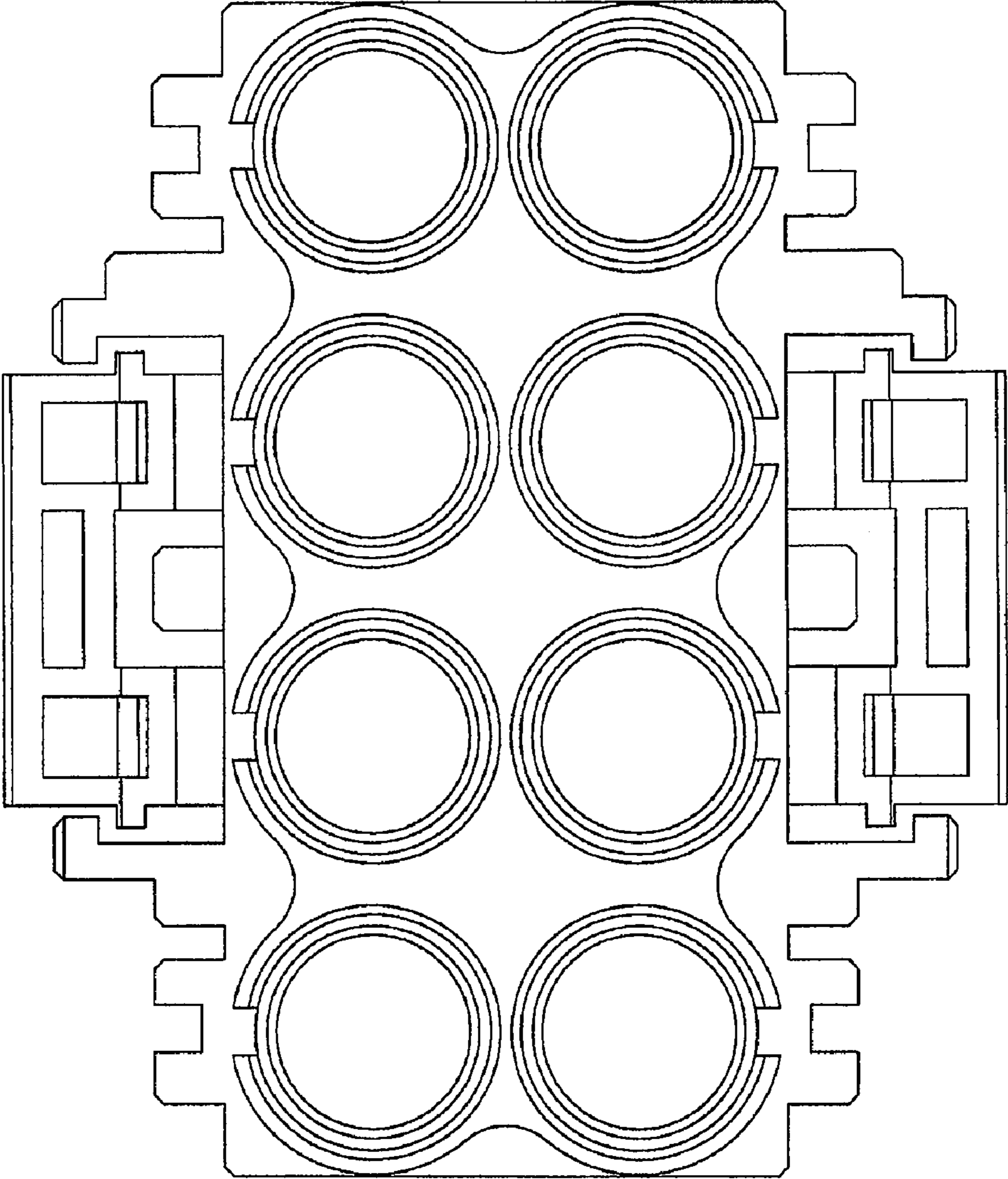
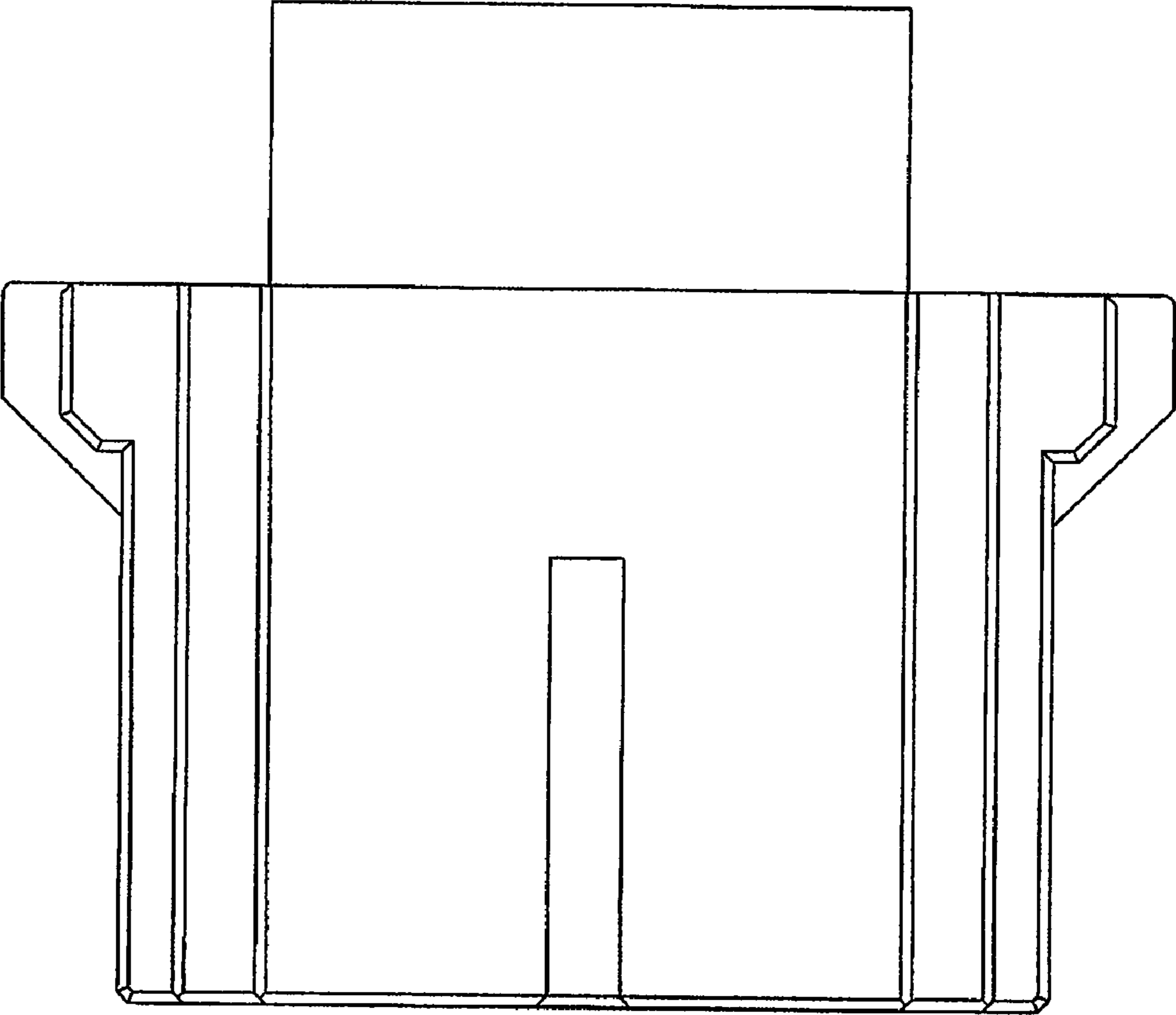


FIG.4



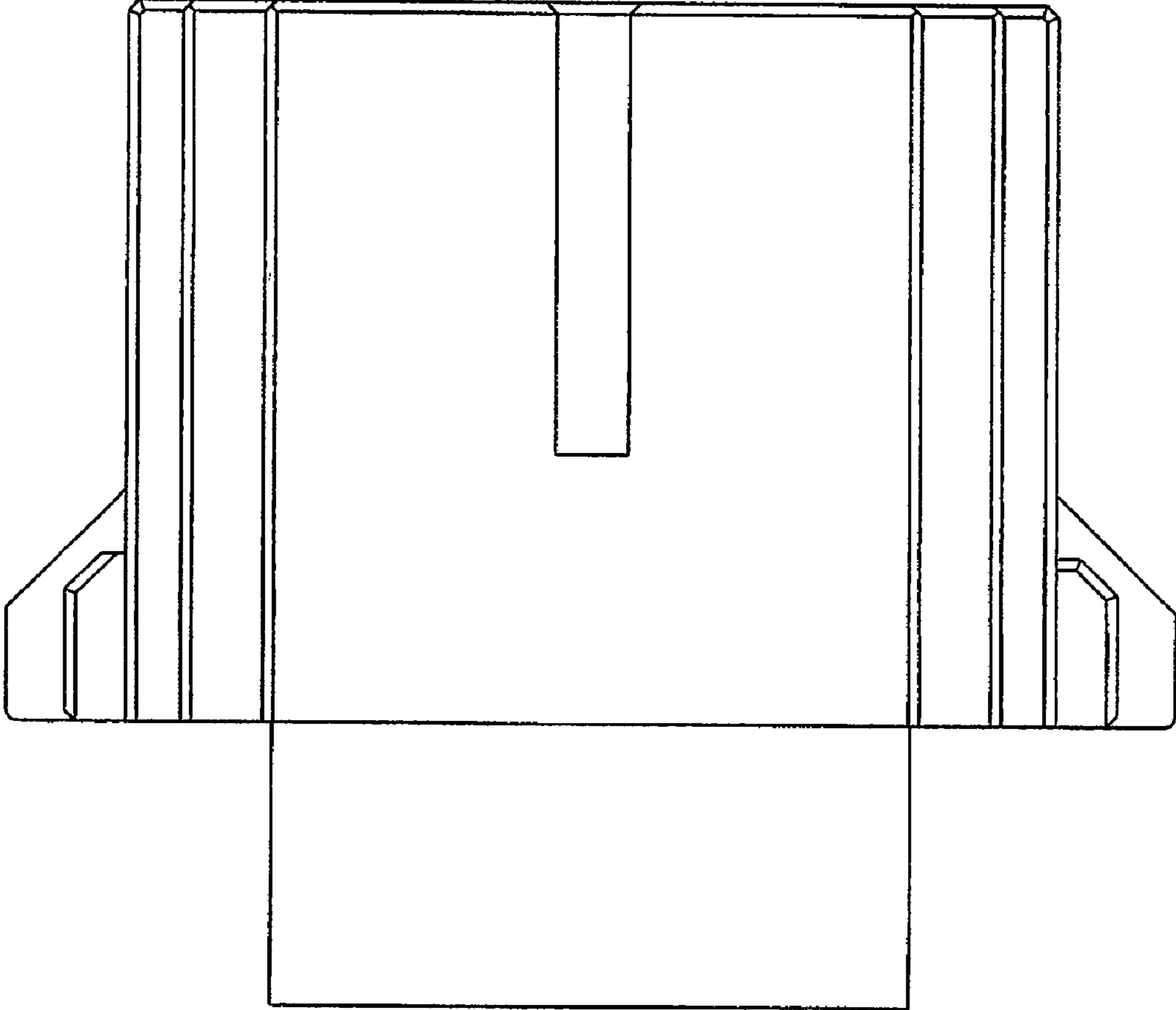
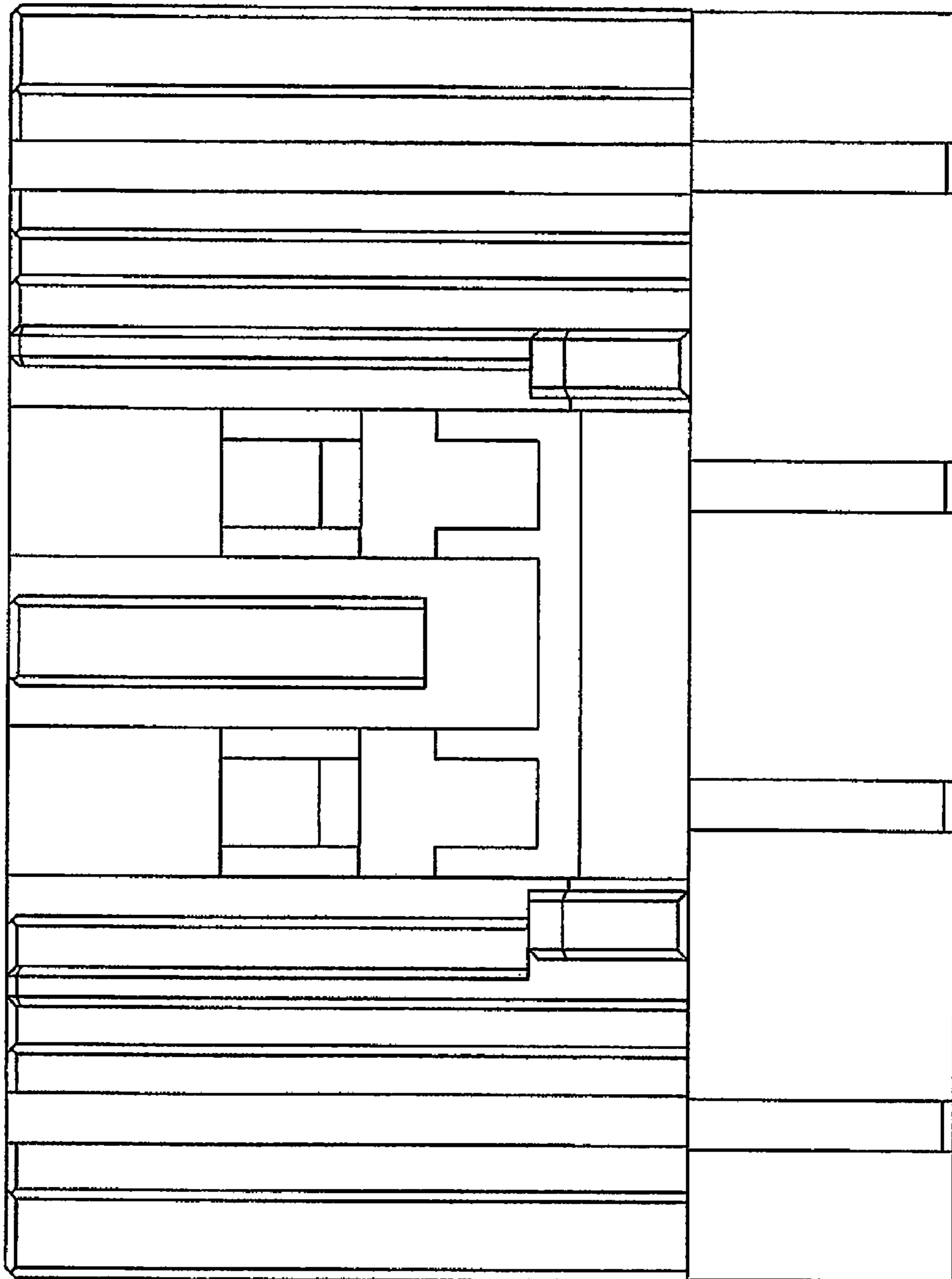


FIG.5

FIG.6



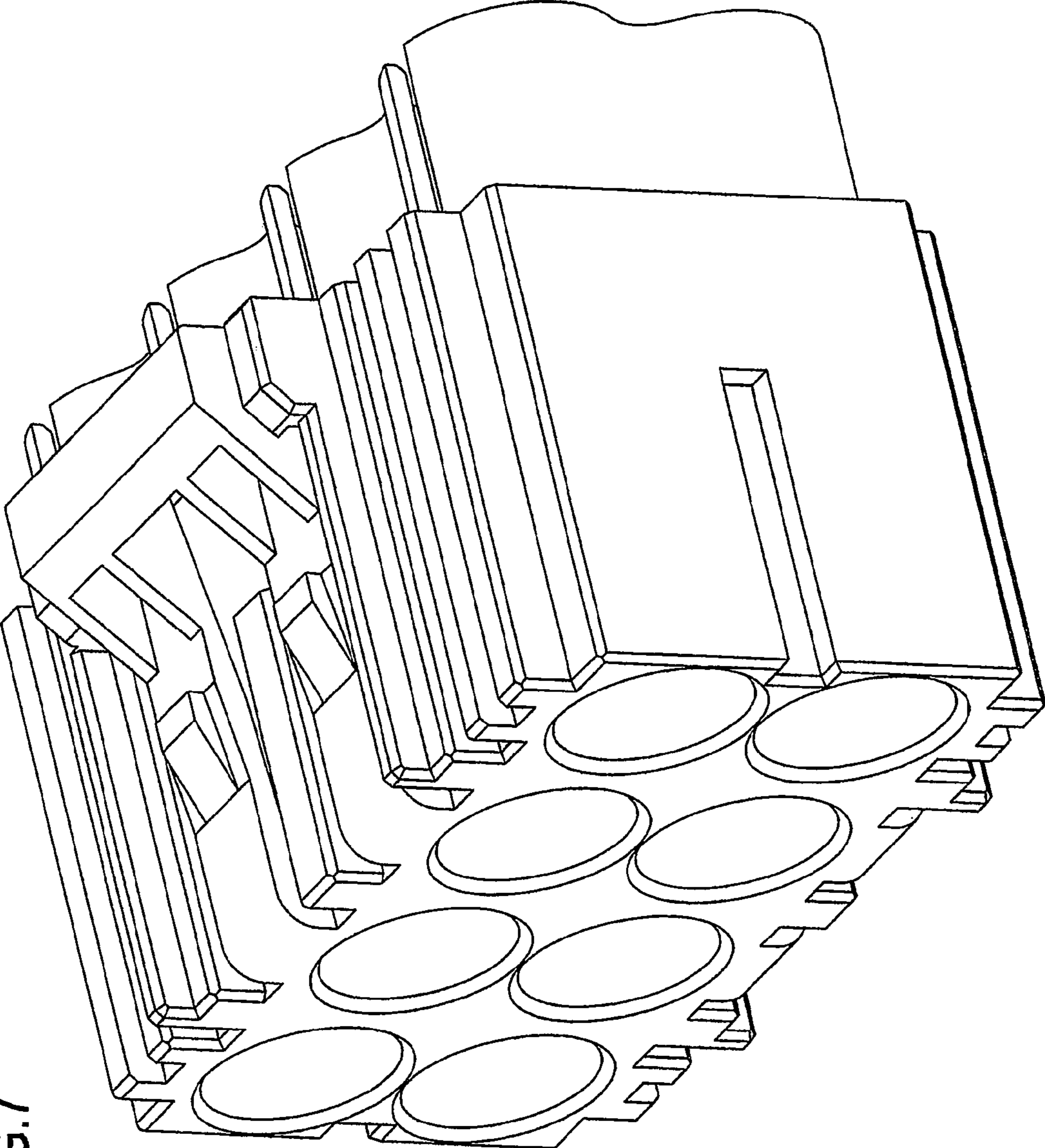


FIG.7



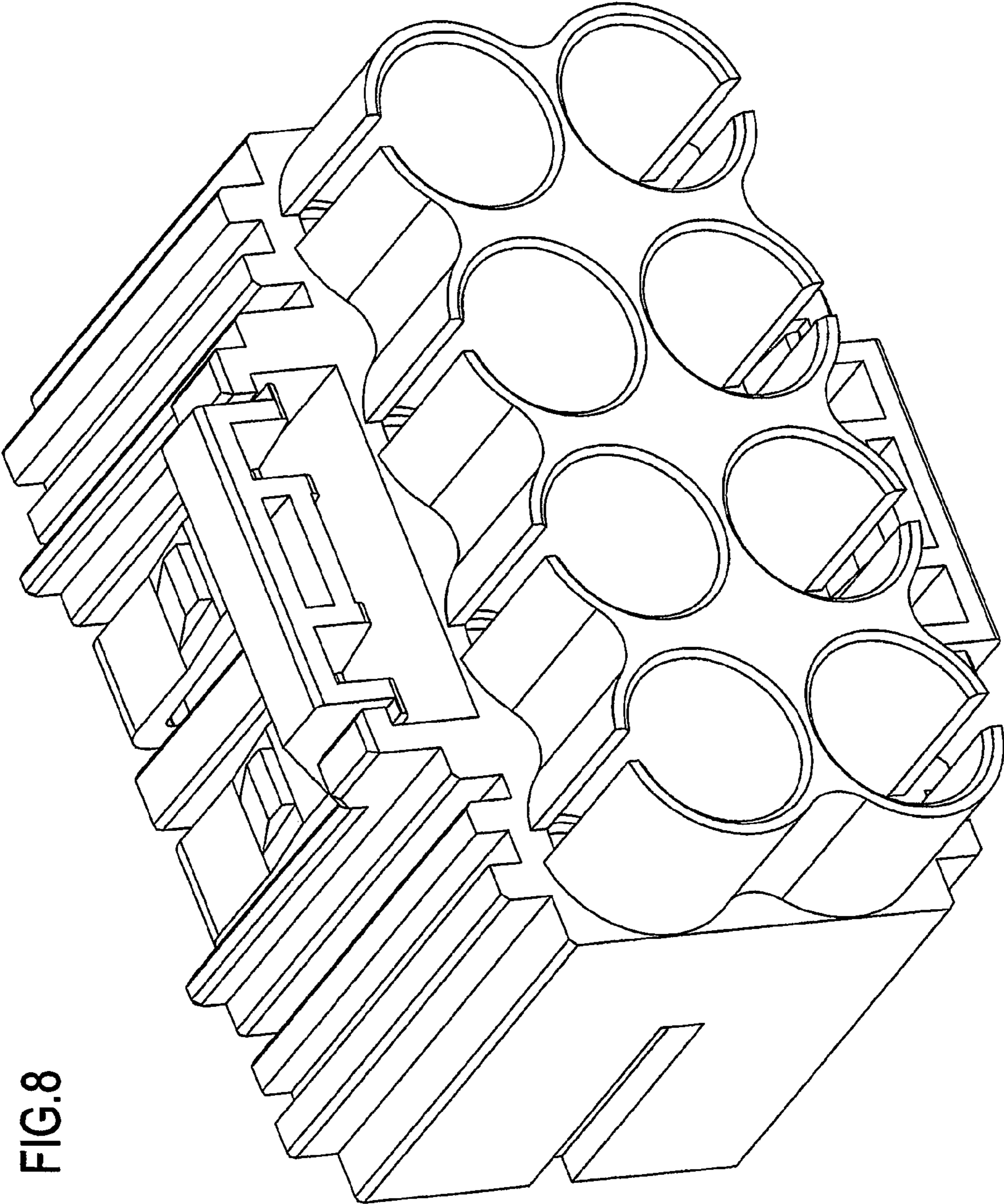


FIG. 8

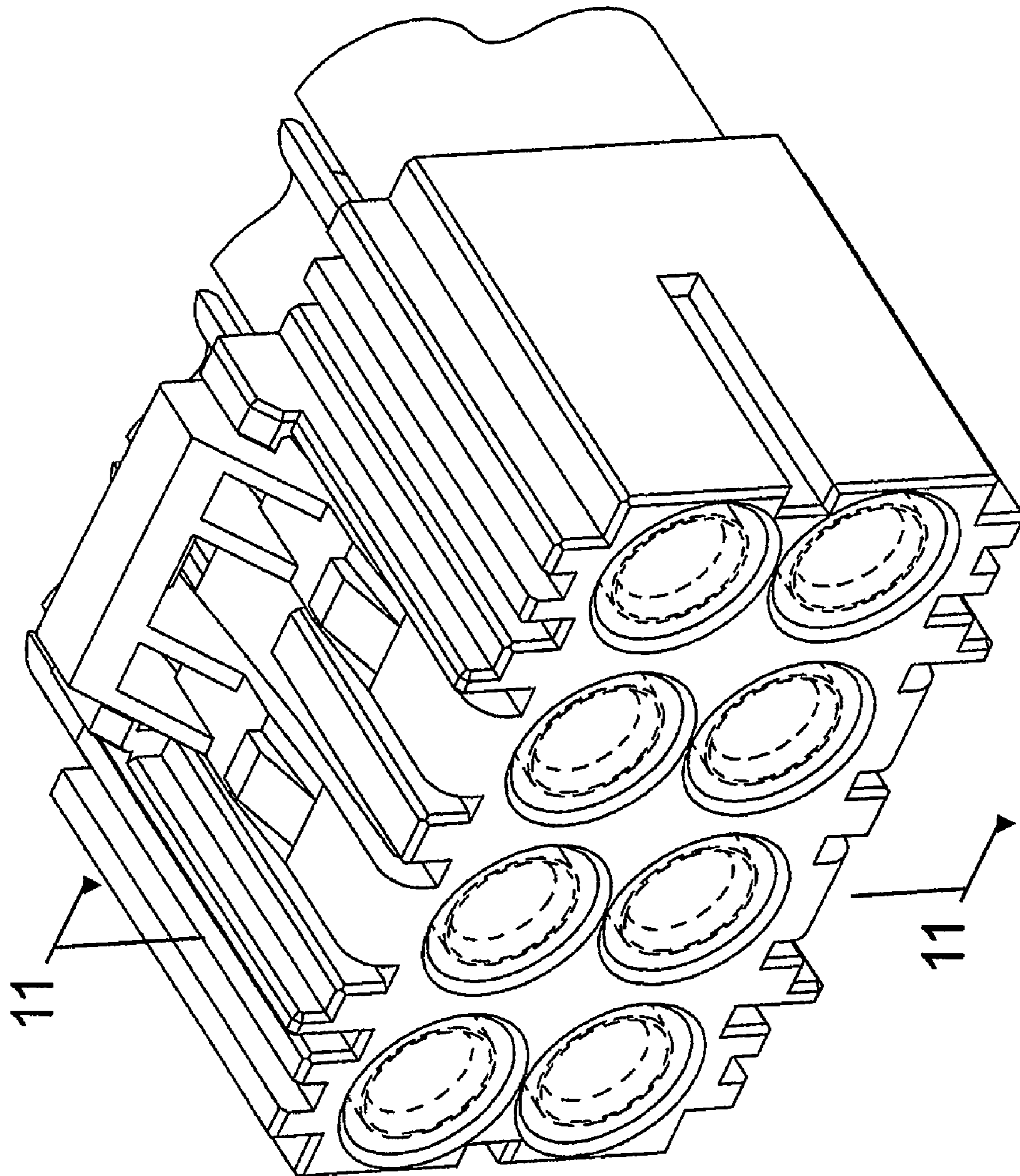


FIG. 9

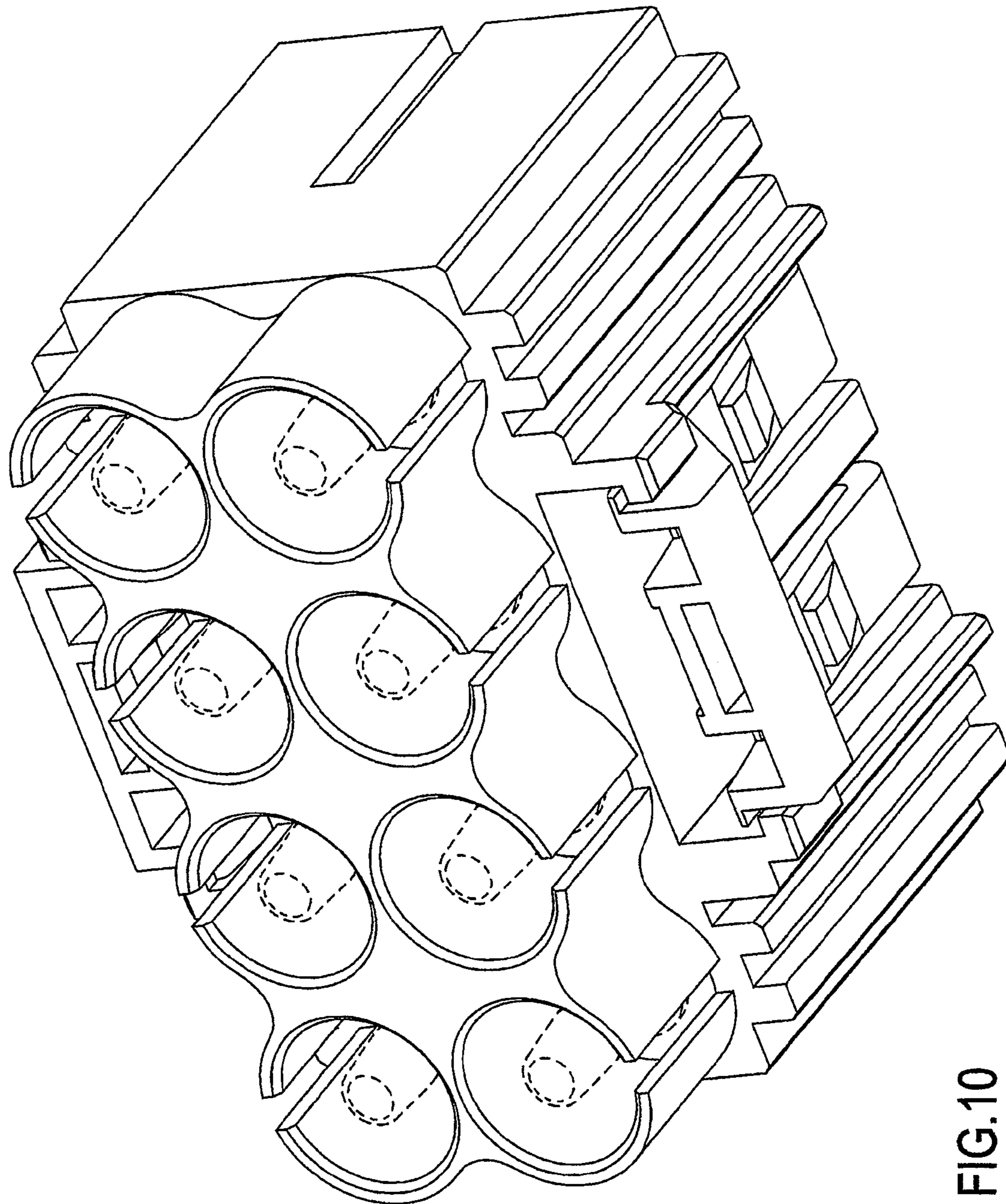


FIG.11

