



US00D564966S

(12) **United States Design Patent**
Shifris

(10) **Patent No.:** **US D564,966 S**

(45) **Date of Patent:** **** Mar. 25, 2008**

(54) **TELECOMMUNICATION CONNECTOR**

(75) Inventor: **Pinhas Shifris**, Tel Aviv (IL)

(73) Assignee: **RIT Technologies Ltd.**, Tel Aviv (IL)

(**) Term: **14 Years**

(21) Appl. No.: **29/206,834**

(22) Filed: **Jun. 2, 2004**

(51) **LOC (8) Cl.** **13-03**

(52) **U.S. Cl.** **D13/147; D13/133**

(58) **Field of Classification Search** D13/123,
D13/133, 146-147, 154, 184, 199; 439/344,
439/357-358, 391, 606-610, 676

See application file for complete search history.

(56) **References Cited**

U.S. PATENT DOCUMENTS

D420,329 S *	2/2000	Lin et al.	D13/147
D431,023 S	9/2000	Yip et al.	
6,238,235 B1 *	5/2001	Shavit et al.	439/418
6,398,576 B1 *	6/2002	Hwang et al.	439/354
6,485,315 B1 *	11/2002	Hwang	439/108

D518,440 S *	4/2006	Chang	D13/147
2002/0028604 A1 *	3/2002	Lo et al.	439/607
2004/0115983 A1 *	6/2004	Liang	439/344
2006/0063415 A1 *	3/2006	de Vanssay et al.	439/350

* cited by examiner

Primary Examiner—Daniel Bui

(74) *Attorney, Agent, or Firm*—Pearl Cohen Zedek Latzer, LLP

(57) **CLAIM**

The ornamental design for a telecommunication connector, as shown and described.

DESCRIPTION

FIG. 1 is a front, top and side perspective view of a telecommunication connector, showing my new design;

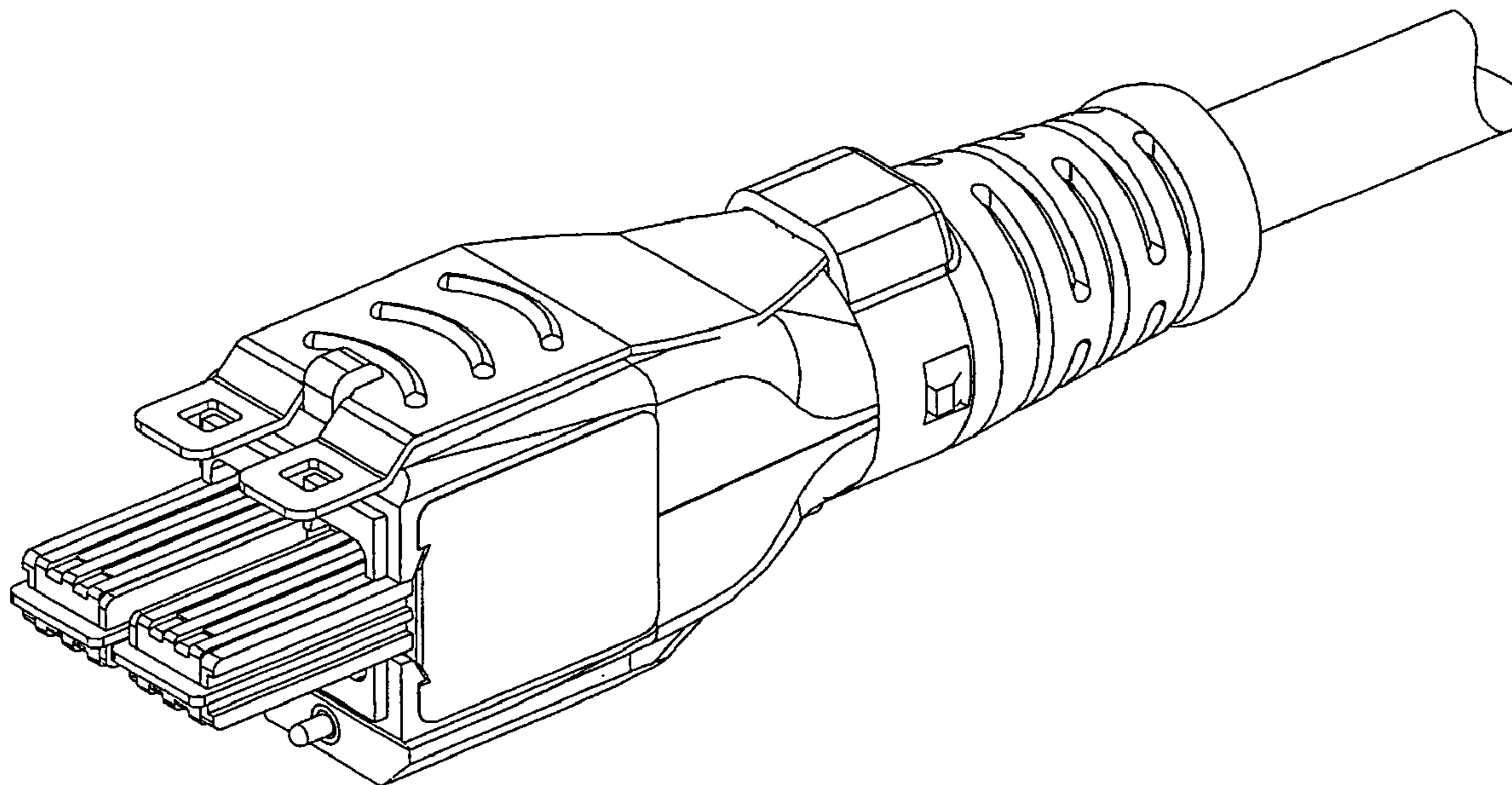
FIG. 2 is a front elevation view thereof, on an enlarged scale;

FIG. 3 is a top plan view thereof;

FIG. 4 is a side elevation view thereof; and,

FIG. 5 is a bottom plan view thereof.

1 Claim, 5 Drawing Sheets



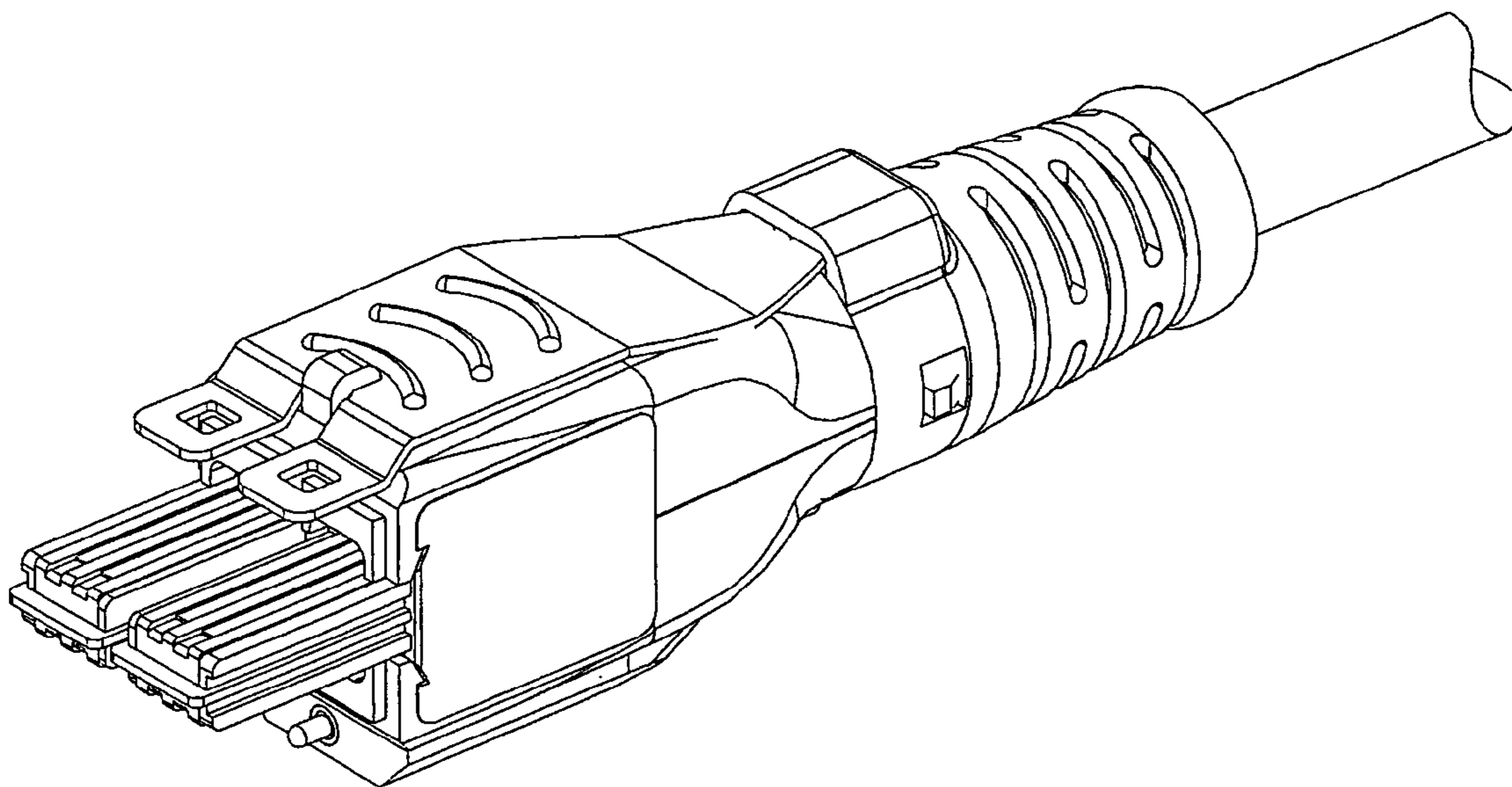


Fig 1

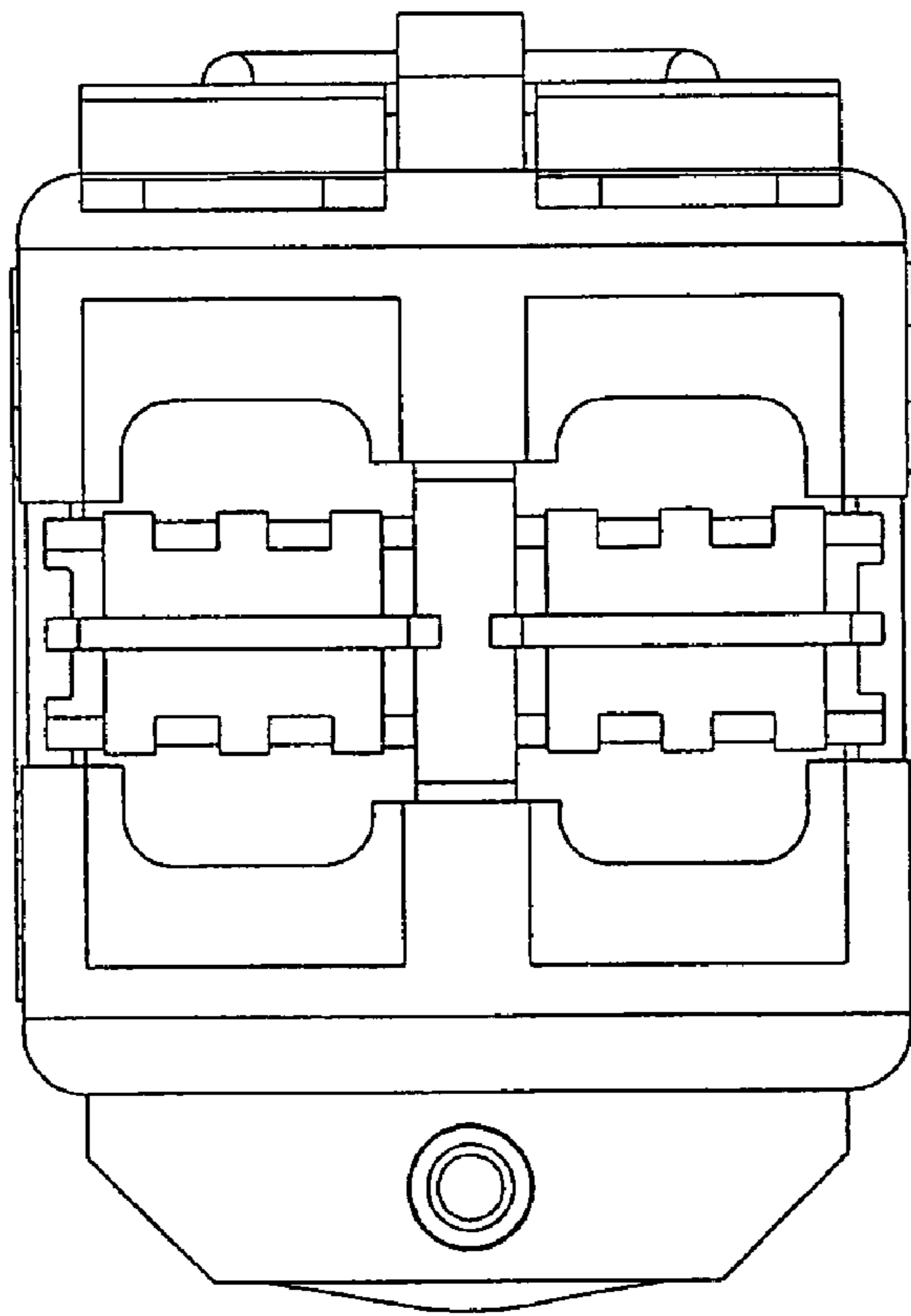


Fig 2

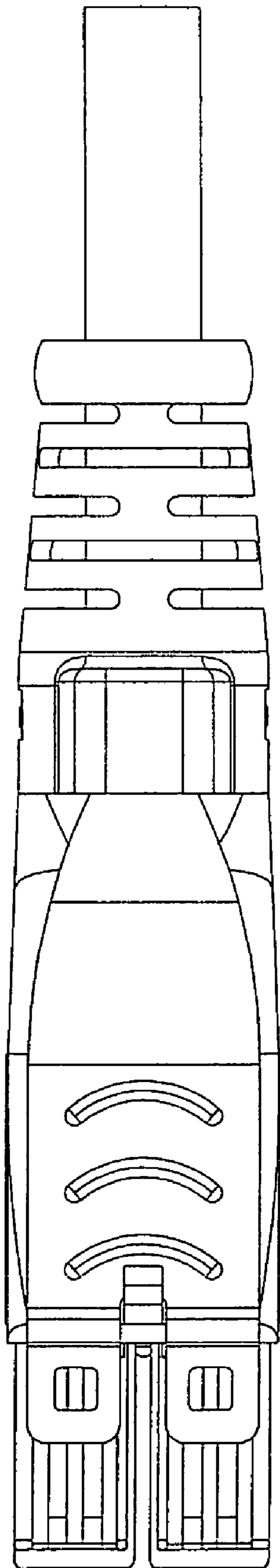


Fig 3

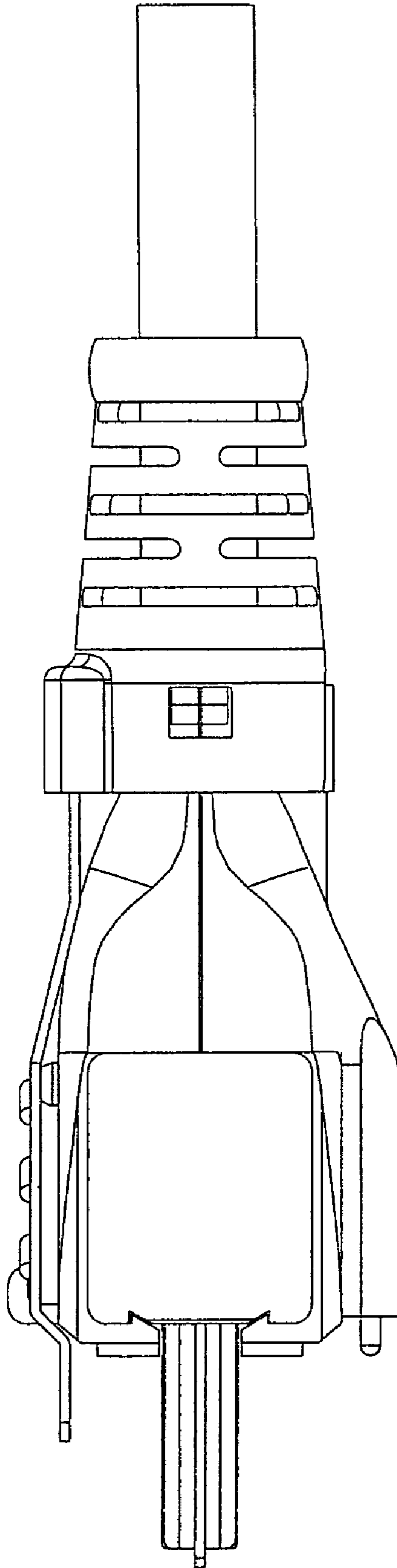


FIG 4

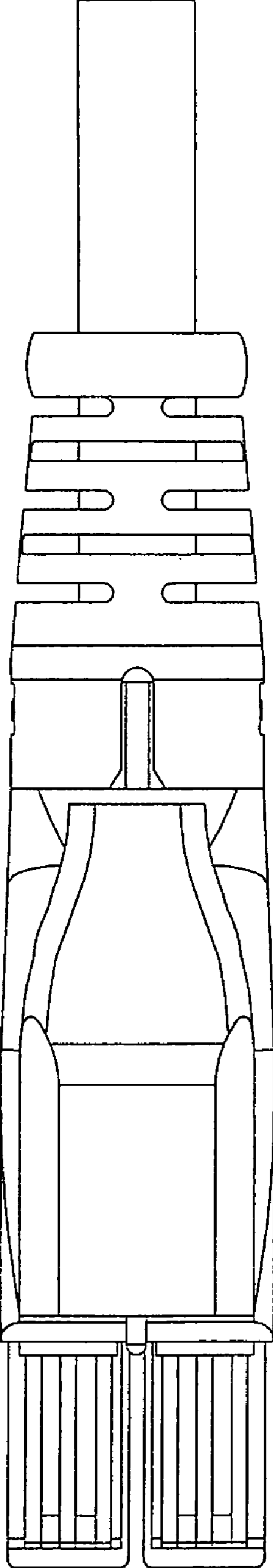


Fig 5