

US00D564964S

(12) **United States Design Patent**
Caine et al.

(10) **Patent No.:** **US D564,964 S**
(45) **Date of Patent:** **** Mar. 25, 2008**

(54) **ELECTRICAL ADAPTER WITH INDICATOR LIGHT**

(75) Inventors: **Donald R. Caine**, Greensboro, NC (US); **Jeffrey R. Russell**, Winston Salem, NC (US); **Anthony D. Moore**, Summerfield, NC (US); **Clay D. Price**, Stokesdale, NC (US)

(73) Assignee: **Camco Manufacturing Inc.**, Greensboro, NC (US)

(**) Term: **14 Years**

(21) Appl. No.: **29/245,954**

(22) Filed: **Dec. 30, 2005**

(51) **LOC (8) Cl.** **13-03**

(52) **U.S. Cl.** **D13/137.1**

(58) **Field of Classification Search** . D13/137.1-137.4, D13/138.1, 138.2, 139.1, 139.6-139.8, 133, D13/154, 156; 439/171-172, 140, 160, 164, 439/135-138, 446, 131, 606, 105-106, 11, 439/13, 31, 650-655, 628, 476.1, 478, 480, 439/483-484, 696, 692, 645-646; 174/53-58; 337/197-198

See application file for complete search history.

(56) **References Cited**

U.S. PATENT DOCUMENTS

D80,102 S	12/1929	Muldoon	
D86,613 S	3/1932	Lauter	
D127,010 S *	5/1941	Judisch	D13/137.1
2,500,987 A	3/1950	Harpster	
2,636,096 A	4/1953	Di Blasi	
D194,105 S	11/1962	More	
D251,293 S	3/1979	Trueblood	
D277,370 S	1/1985	Gehr et al.	
D292,700 S *	11/1987	Rauch	D13/137.1
D375,292 S *	11/1996	D'Amato	D13/137.1
D376,129 S *	12/1996	Muller et al.	D13/137.1
D462,056 S *	8/2002	Chung	D13/137.1
D523,811 S *	6/2006	Pinson	D13/137.2

OTHER PUBLICATIONS

30-15 ADAPTER, Cat. # 55-8827, Stagparkway 2001 RV Parts & Accessories, p. 225, Atlanta, GA.

30-15 ADAPTER, Cat. # 55-9648, Stagparkway 2001 RV Parts & Accessories, p. 225, Atlanta, GA.

Reverse Adapter, Cat. # 55-8824, Stagparkway 2001 RV Parts & Accessories, p. 225, Atlanta, GA.

Reverse Adapter, Cat. # 55-8823, Stagparkway 2001 RV Parts & Accessories, p. 225, Atlanta, GA.

AD 30/20 ADAPTER, Cat. # 55-8828, Stagparkway 2001 RV Parts & Accessories, p. 225, Atlanta, GA.

* cited by examiner

Primary Examiner—Cathron Brooks

Assistant Examiner—Rosemary K Tarcza

(57) **CLAIM**

The ornamental design for an electrical adapter with indicator light, as shown and described.

DESCRIPTION

FIG. 1 is a top, left front perspective view of an electrical adapter with indicator light showing embodiment 1 of our design;

FIG. 2 is a top, right back perspective view thereof;

FIG. 3 is a top plan view thereof;

FIG. 4 is a bottom plan view thereof;

FIG. 5 is front side elevational view thereof;

FIG. 6 is a back side elevational view thereof;

FIG. 7 is a left side elevational view thereof;

FIG. 8 is a right side elevational view thereof;

FIG. 9 is a top, left front perspective view of an electrical adapter with indicator light showing embodiment 2 of our design;

FIG. 10 is a top, right back perspective view thereof;

FIG. 11 is a top plan view thereof;

FIG. 12 is a bottom plan view thereof;

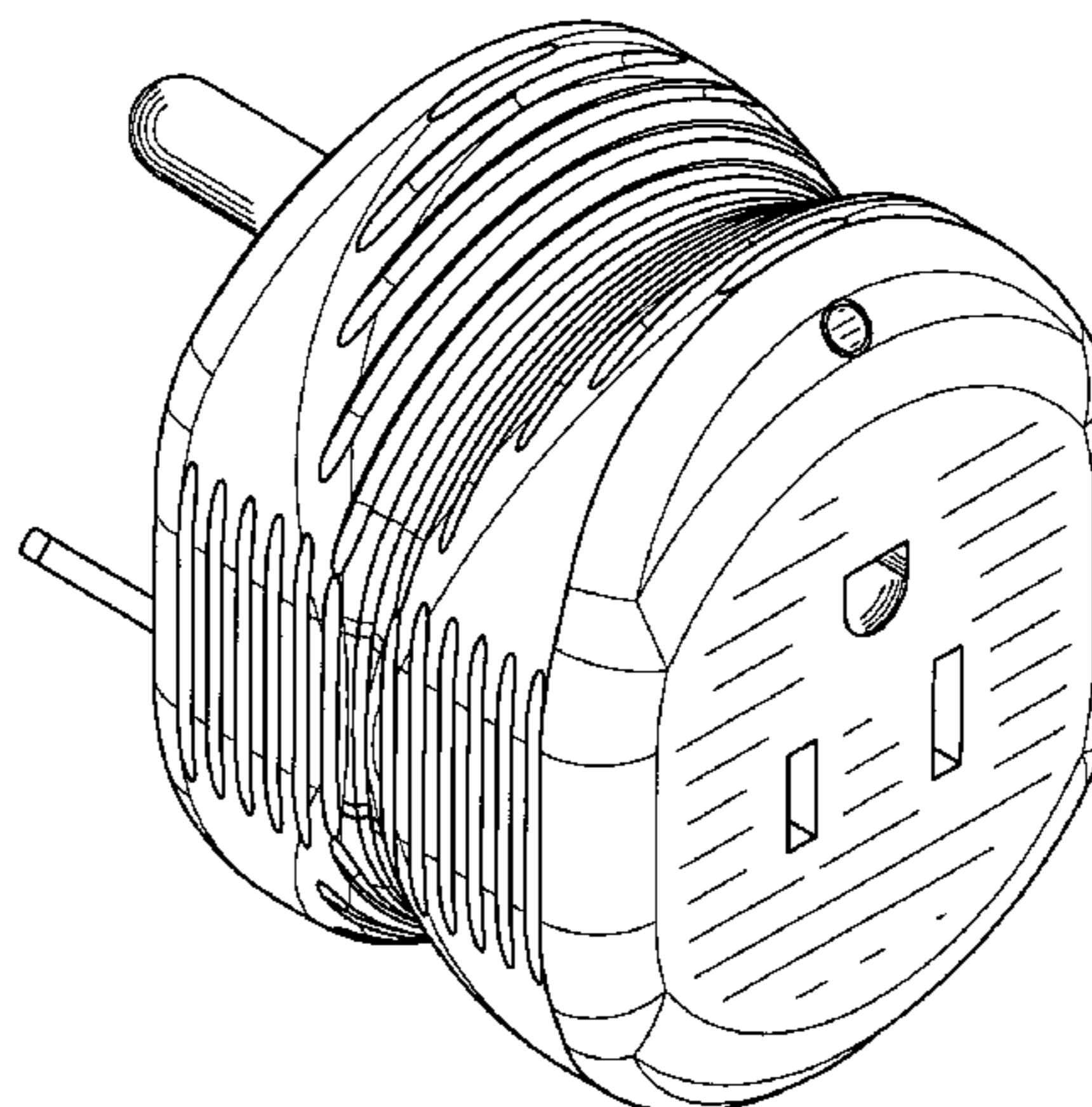
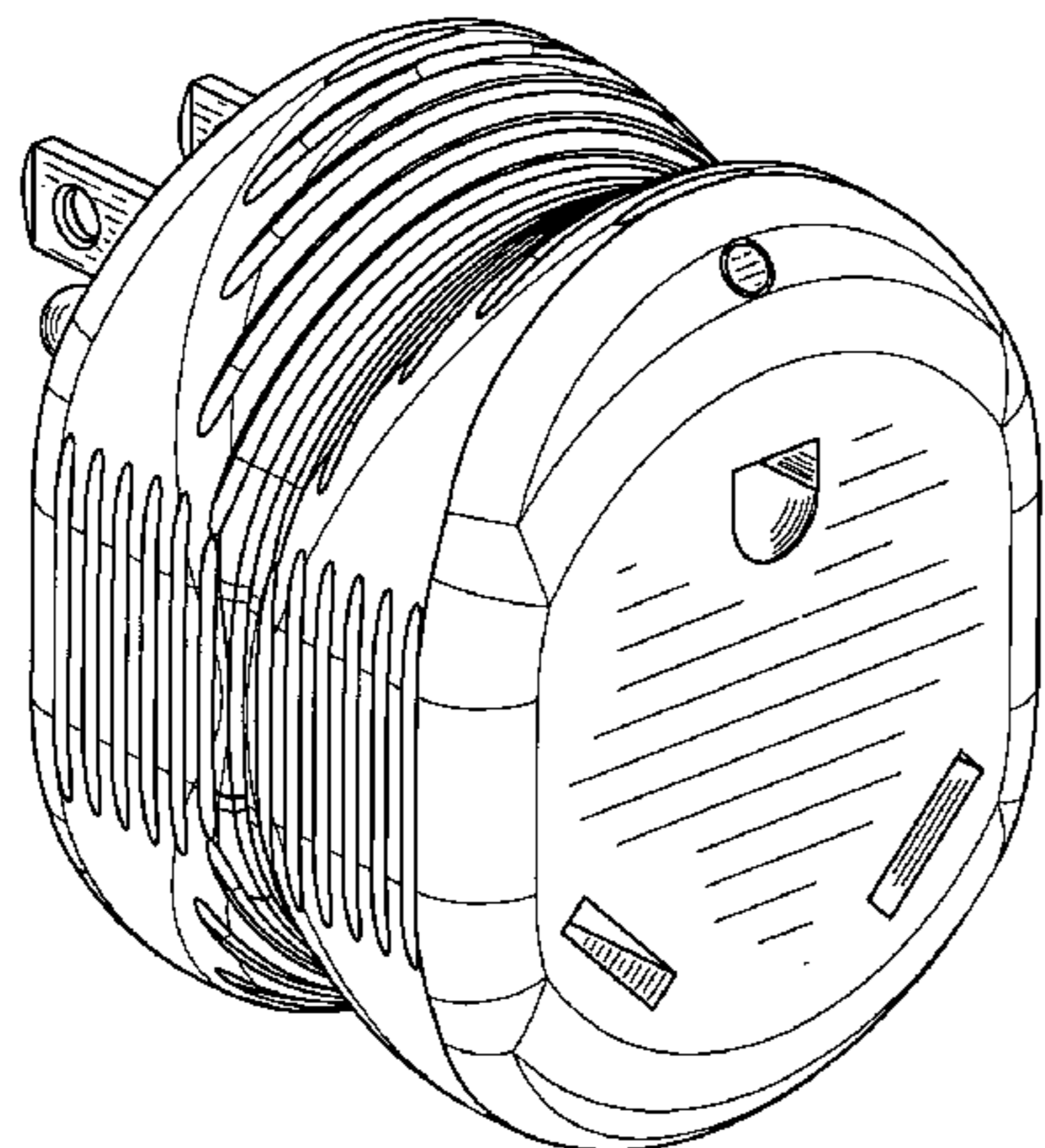
FIG. 13 is a front side elevational view thereof;

FIG. 14 is a back side elevational view thereof;

FIG. 15 is a left side elevational view thereof; and,

FIG. 16 is a right side elevational view thereof.

1 Claim, 8 Drawing Sheets



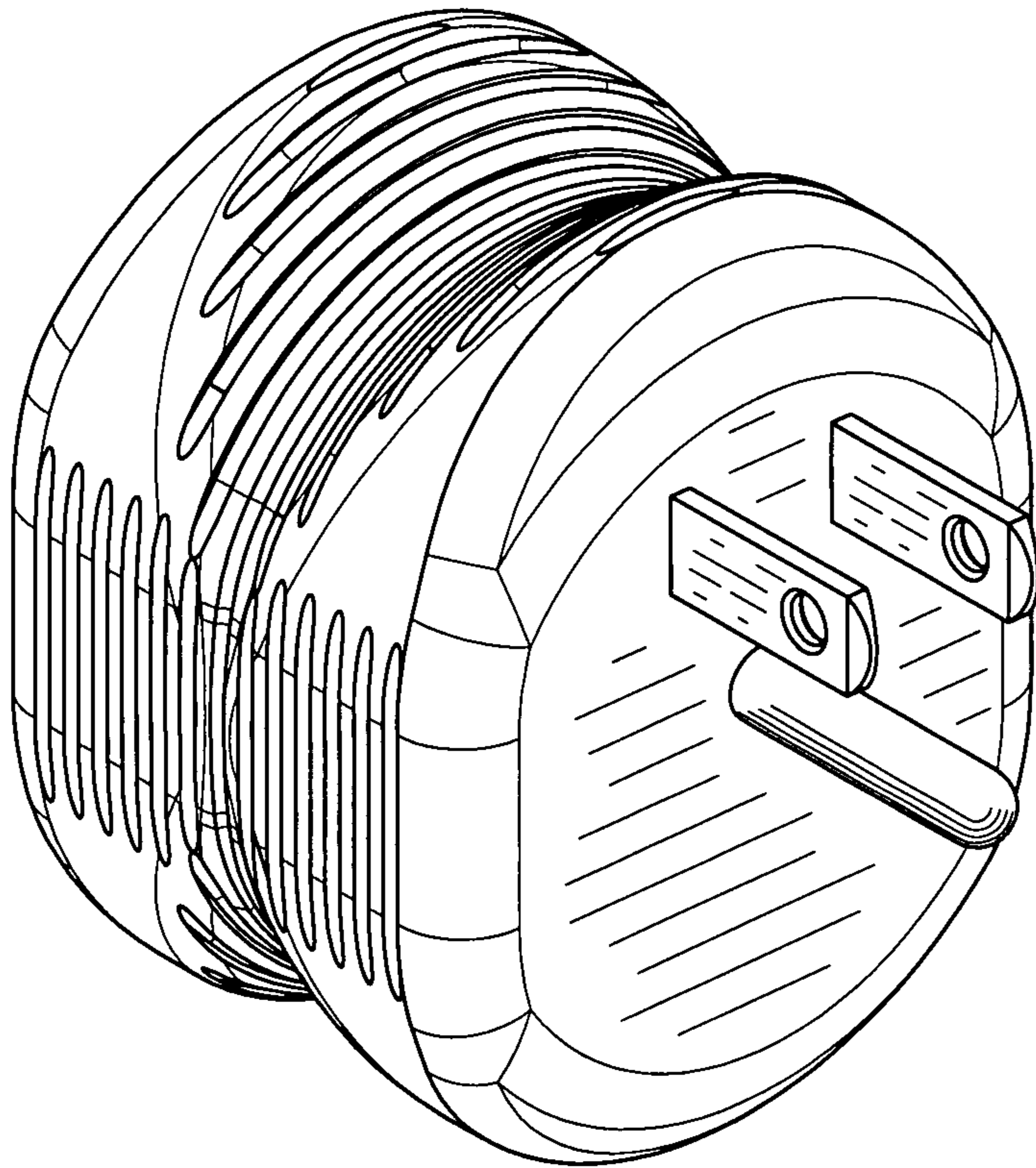


FIG. 1

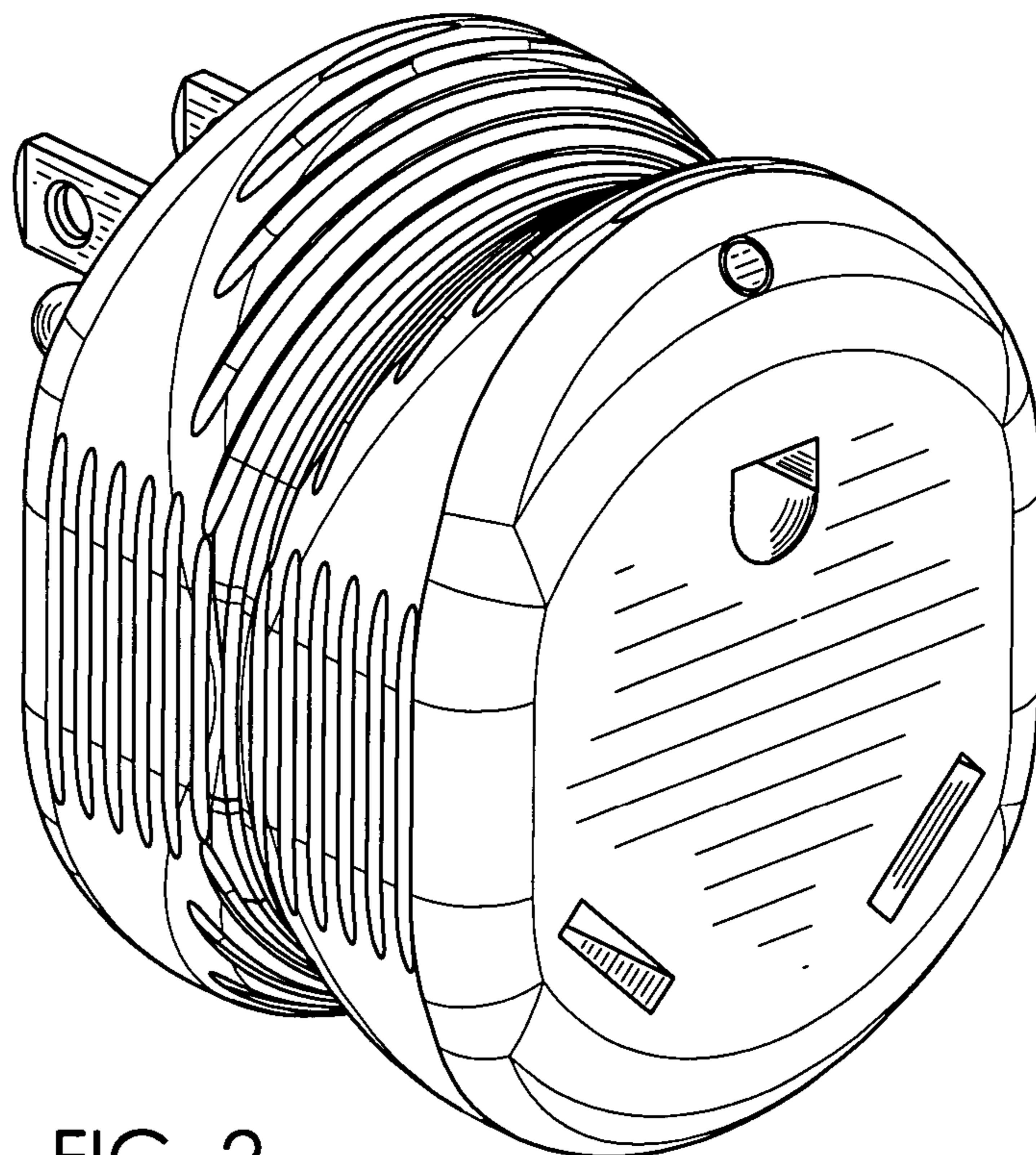


FIG. 2

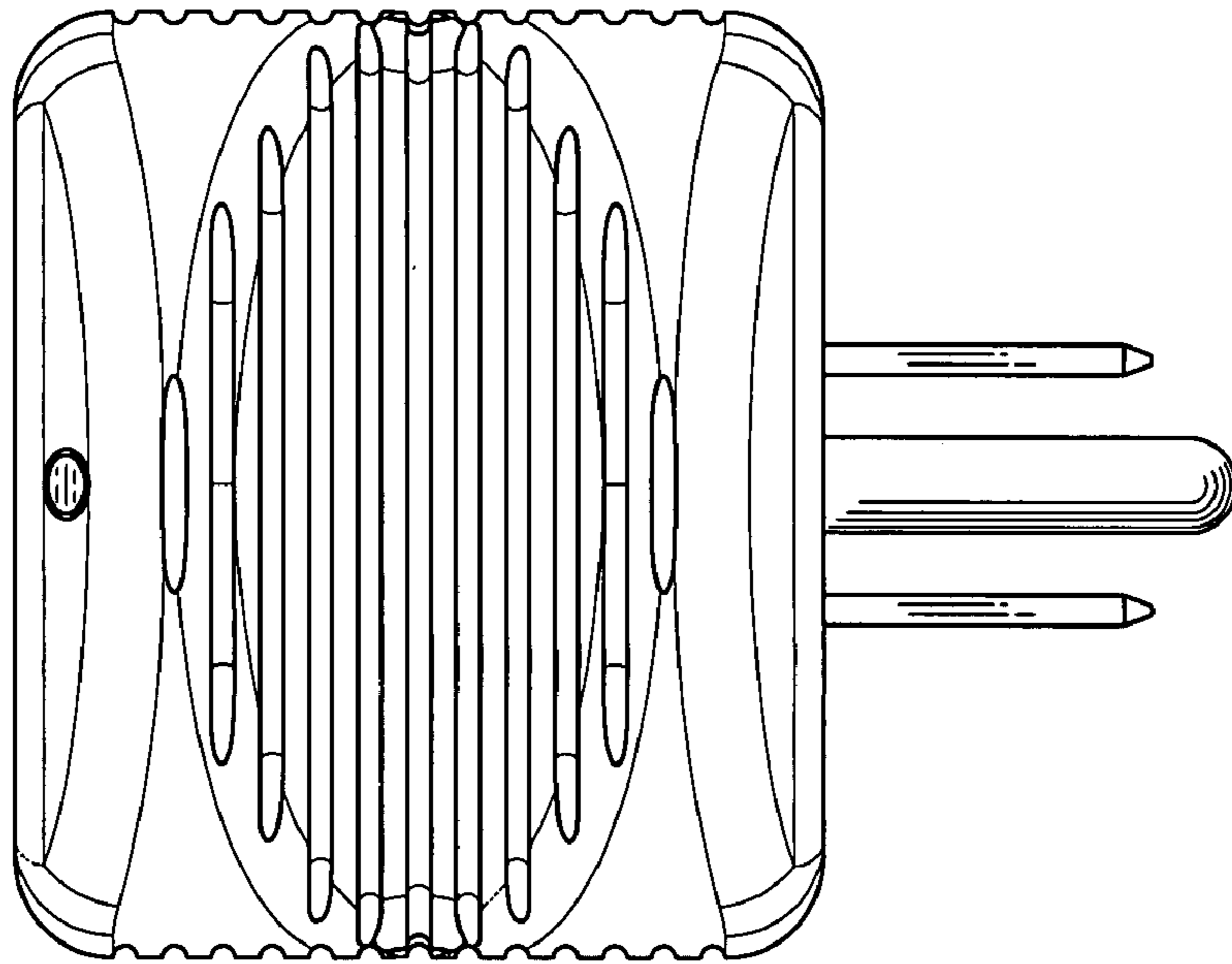


FIG. 3

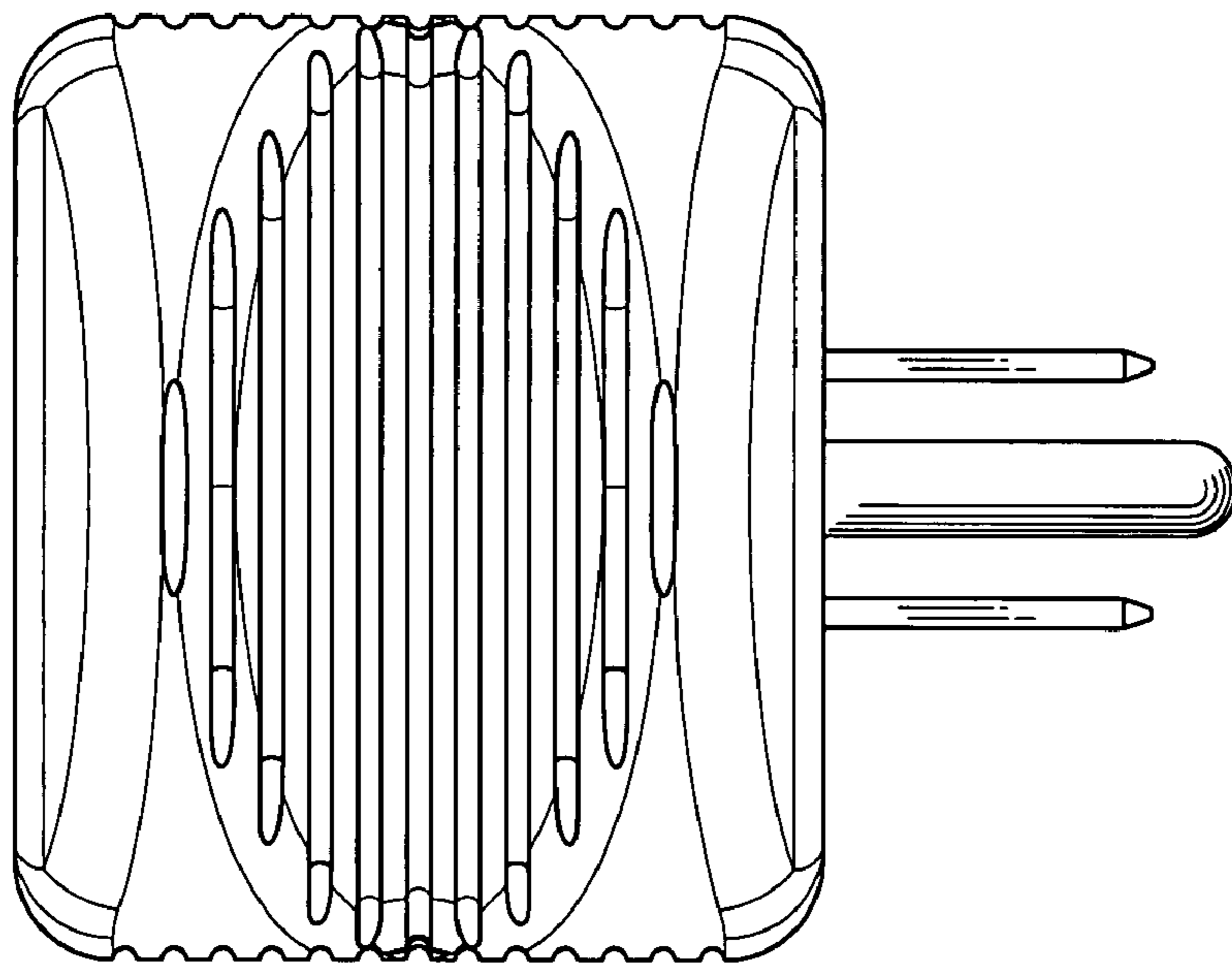


FIG. 4

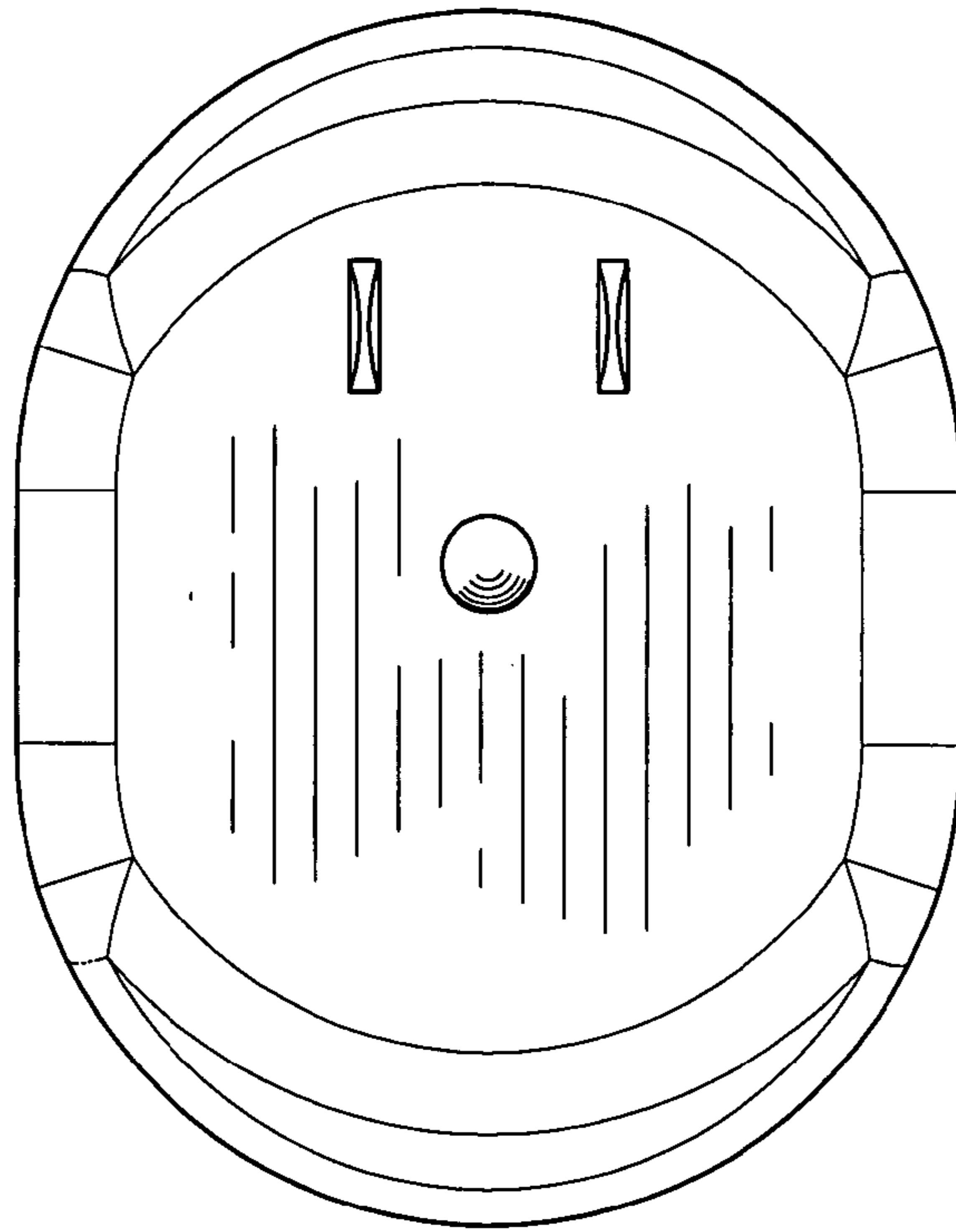


FIG. 5

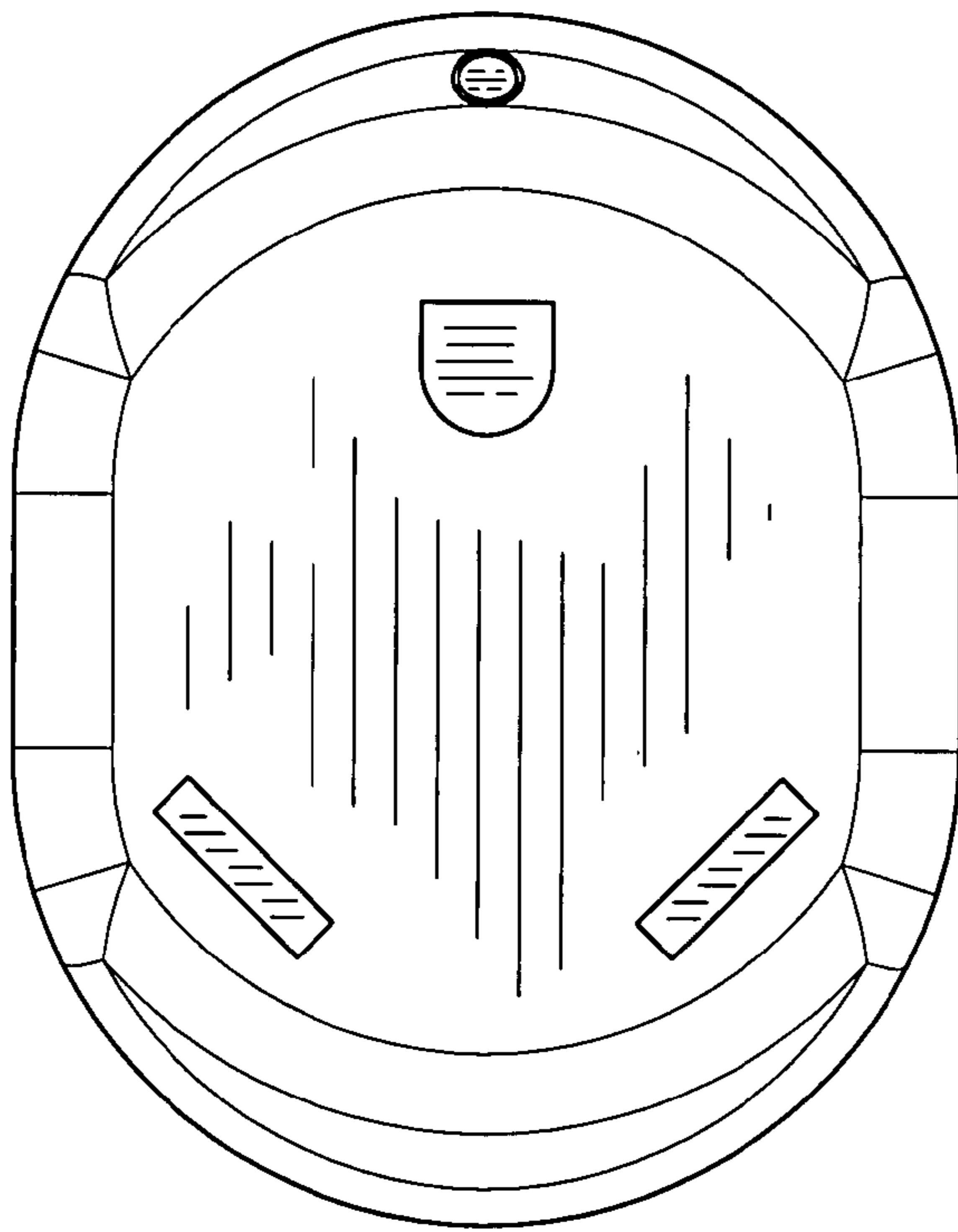


FIG. 6

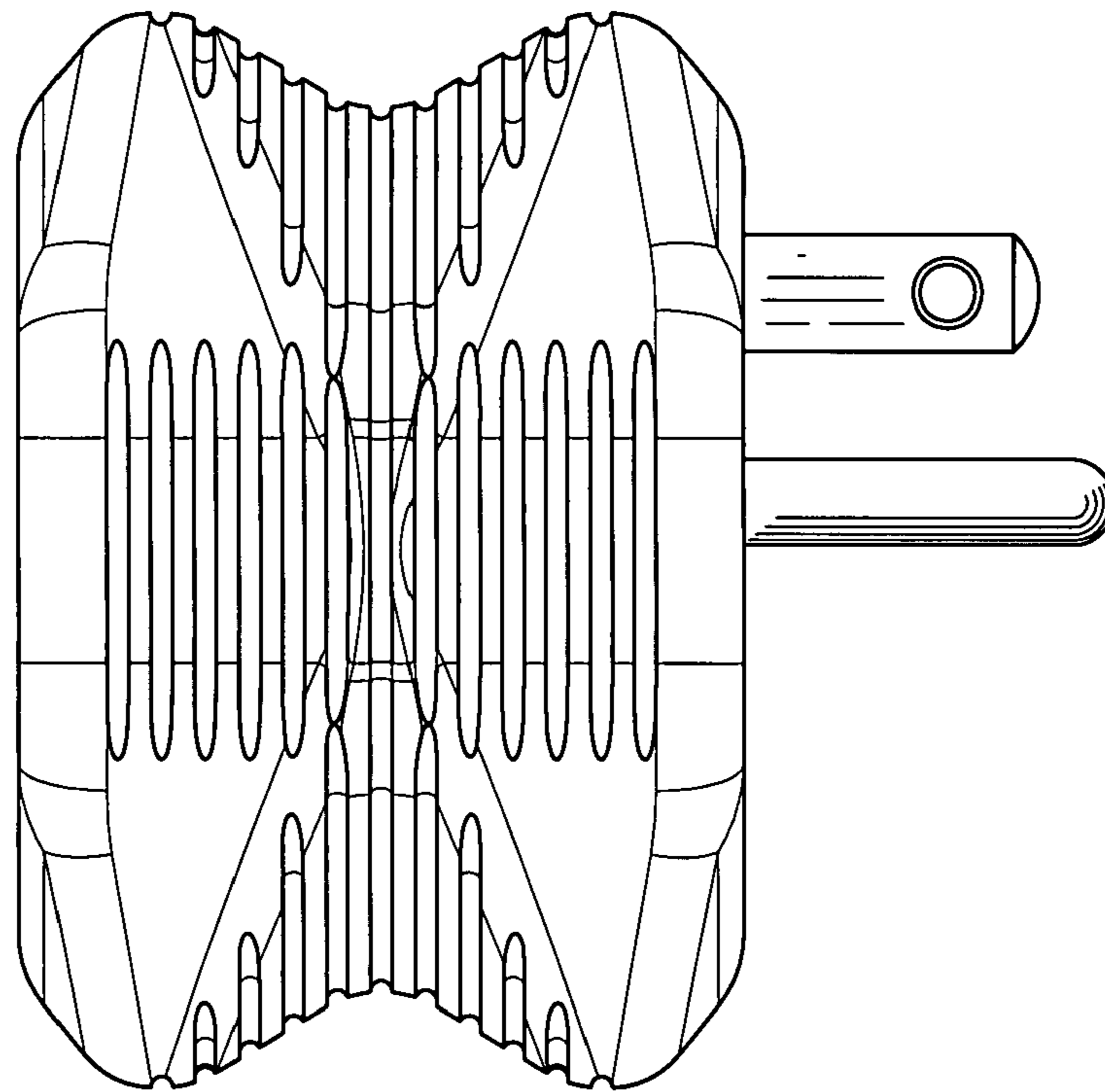


FIG. 7

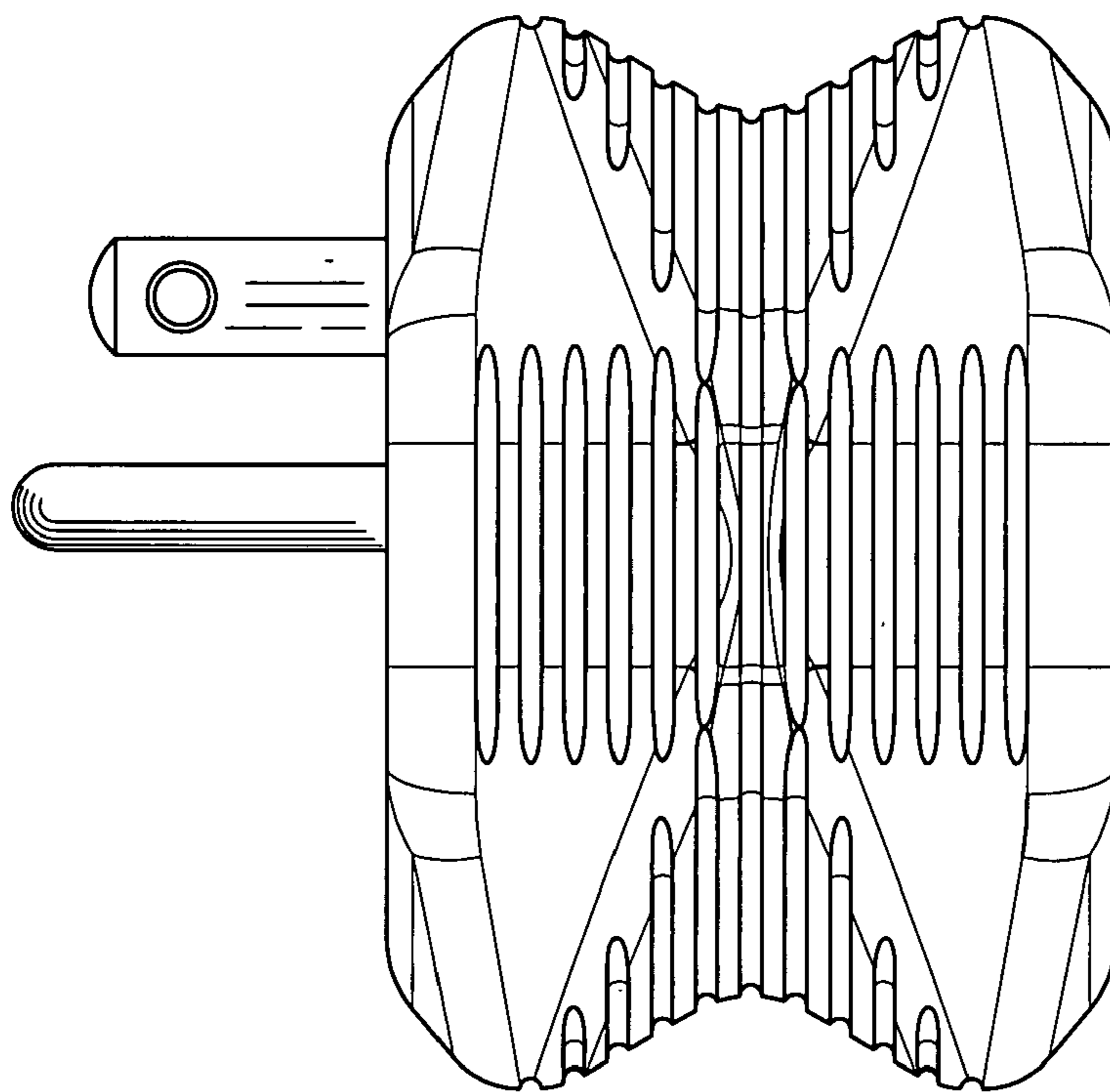


FIG. 8

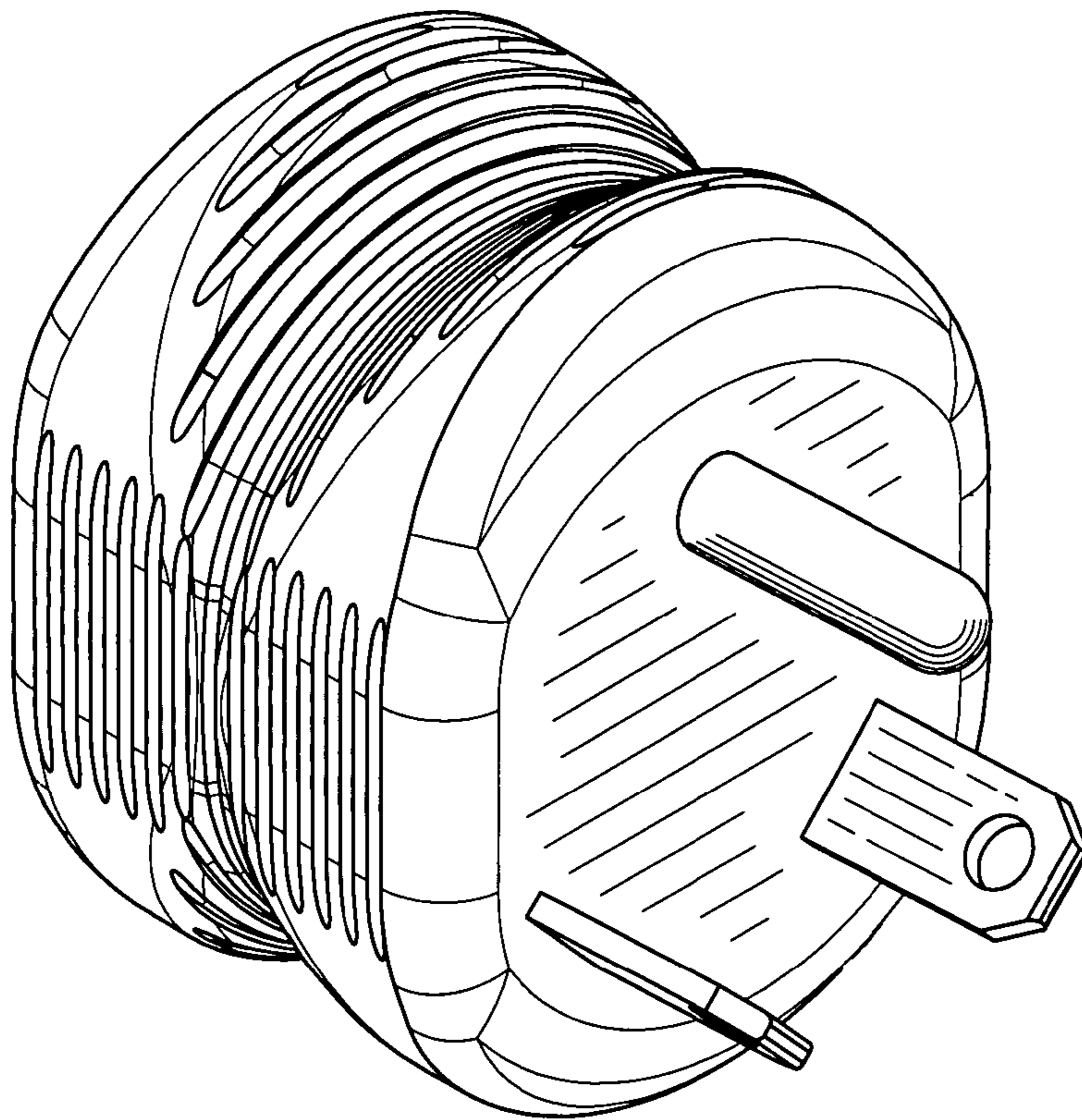


FIG. 9

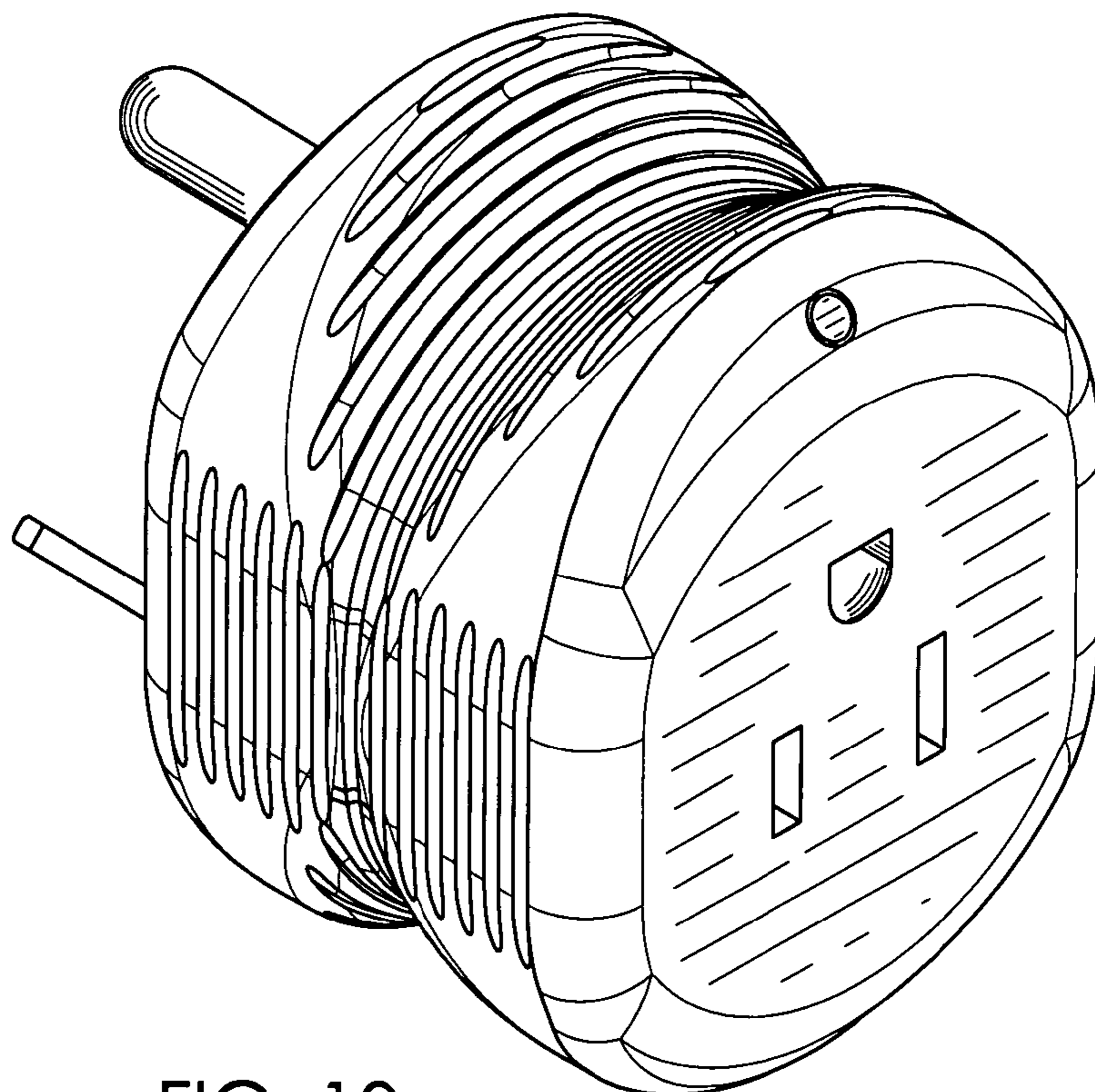


FIG. 10

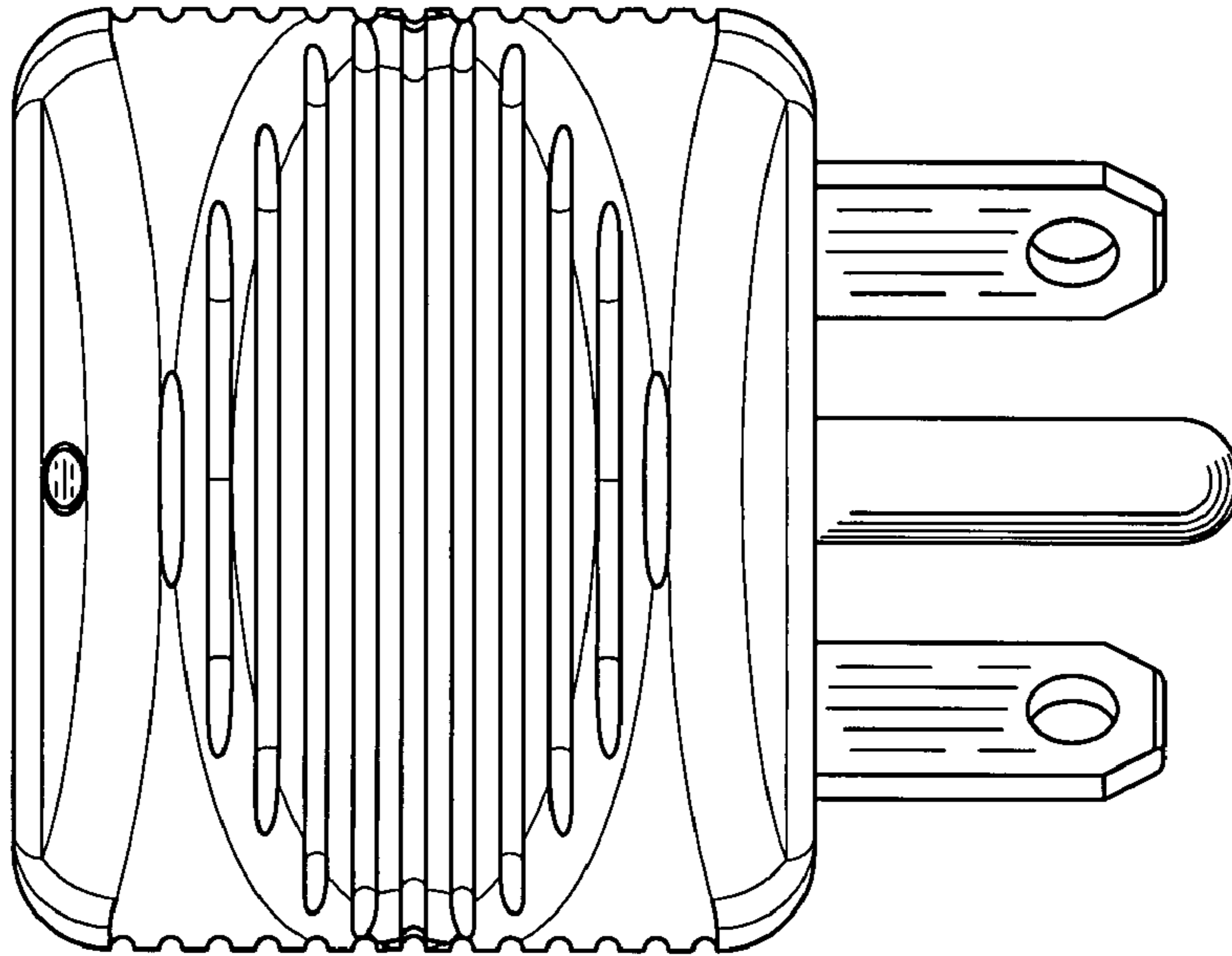


FIG. 11

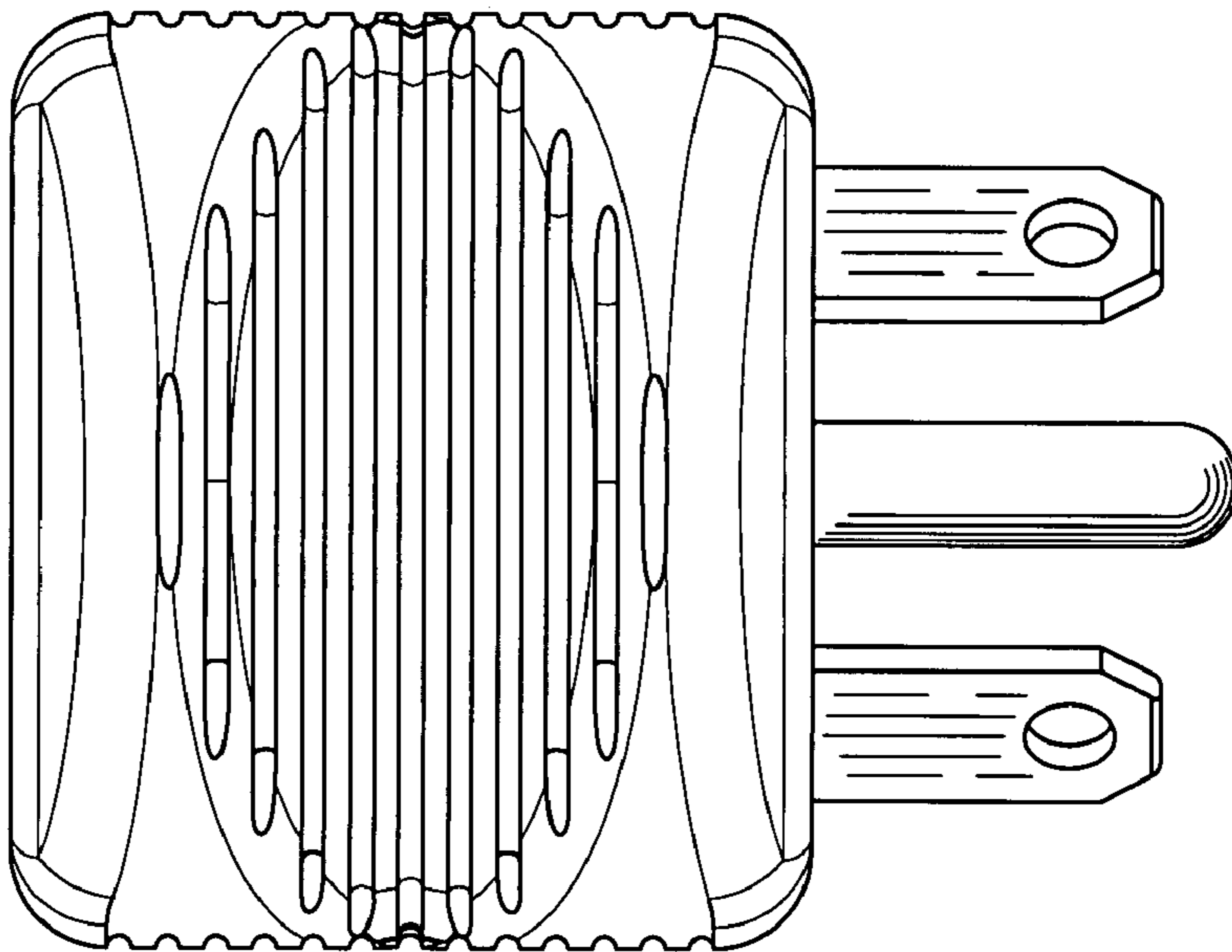


FIG. 12

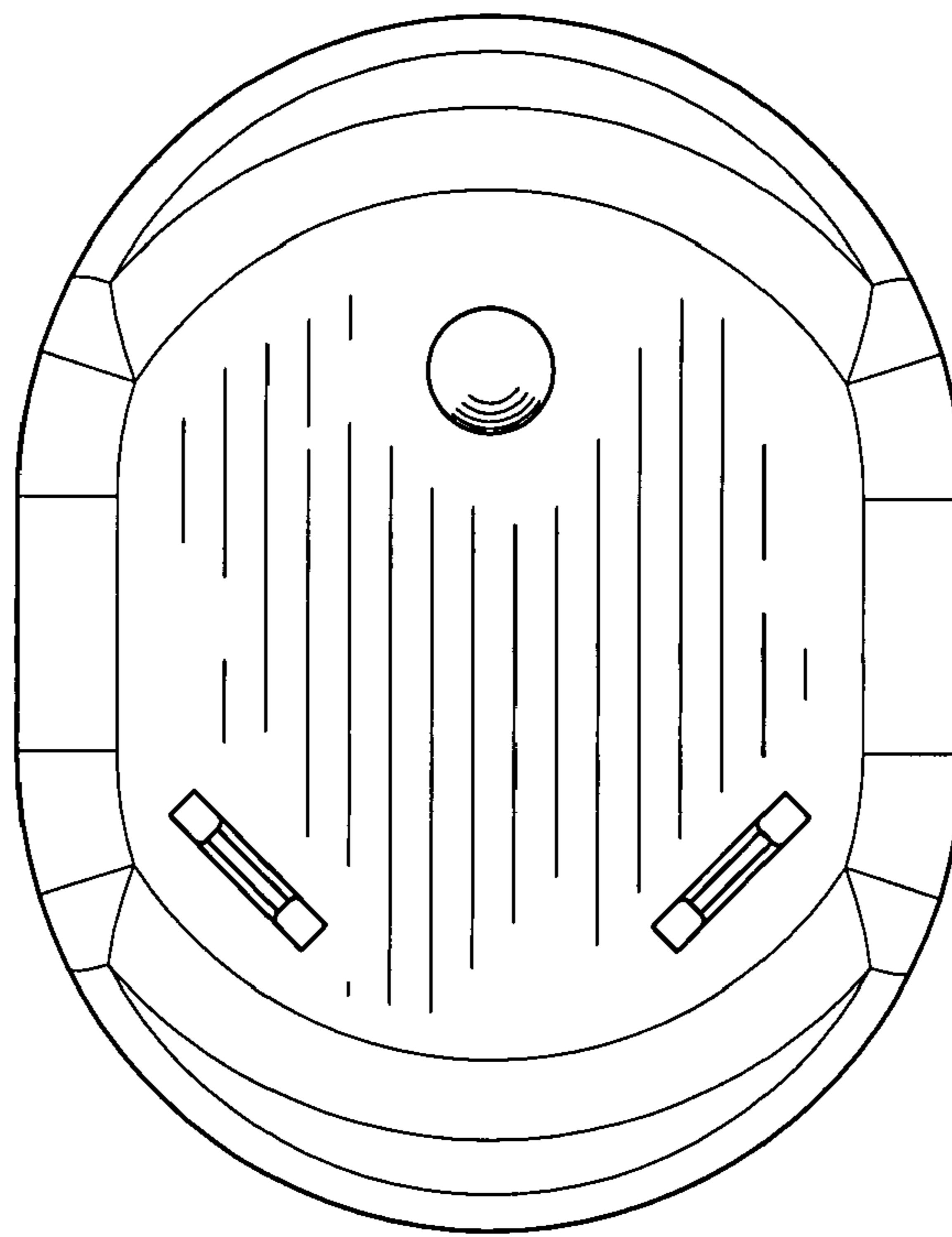


FIG. 13

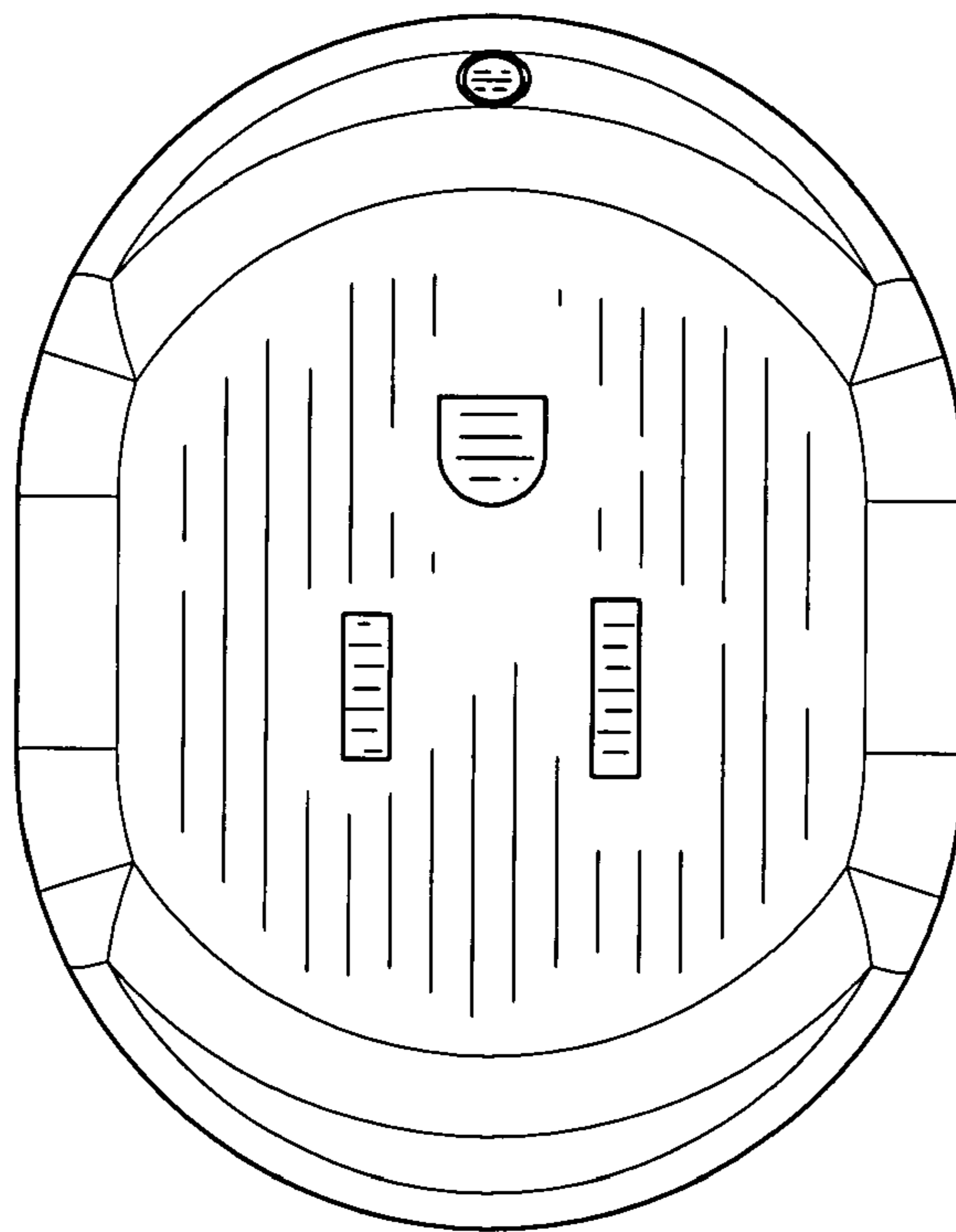


FIG. 14

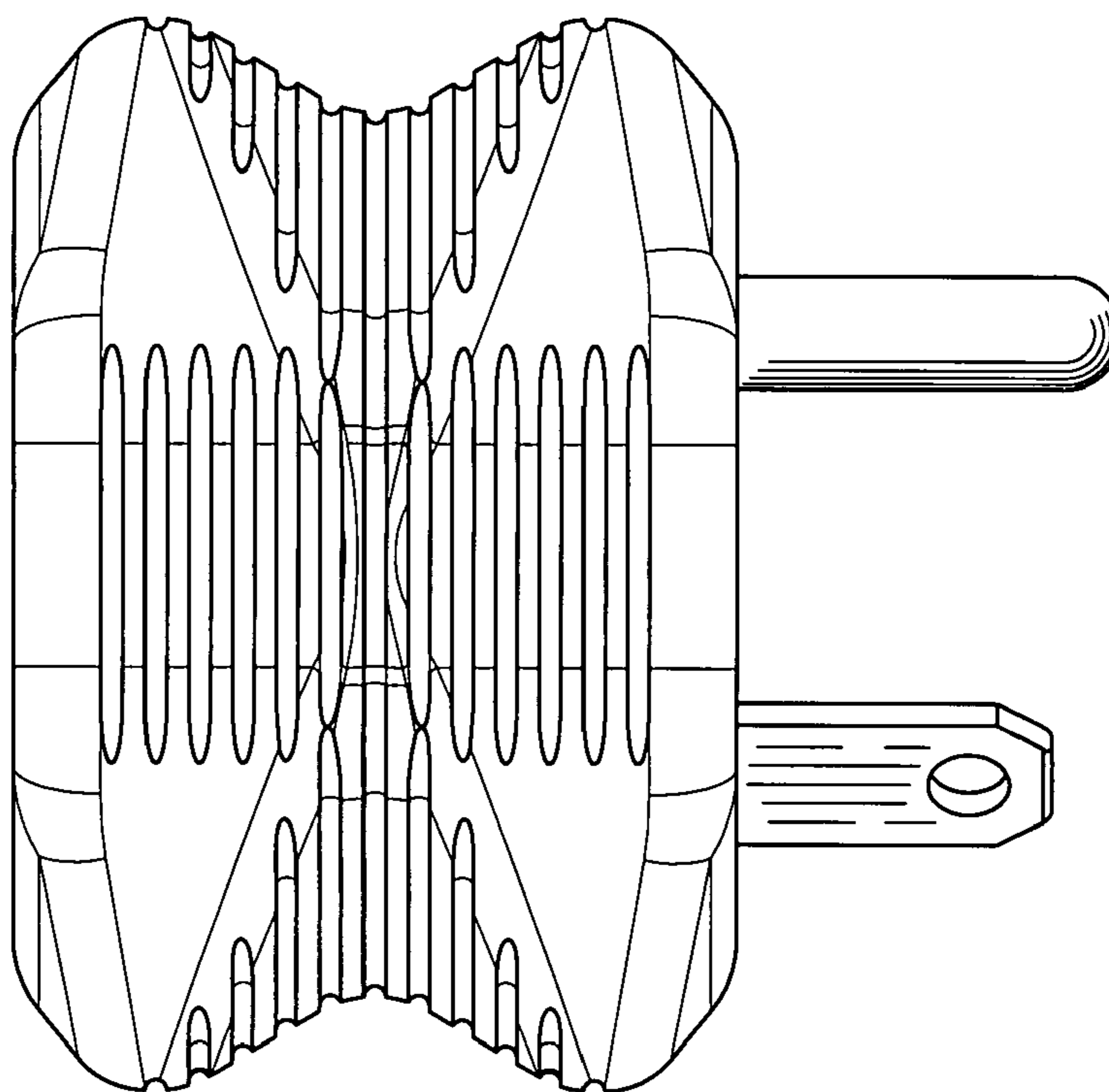


FIG. 15

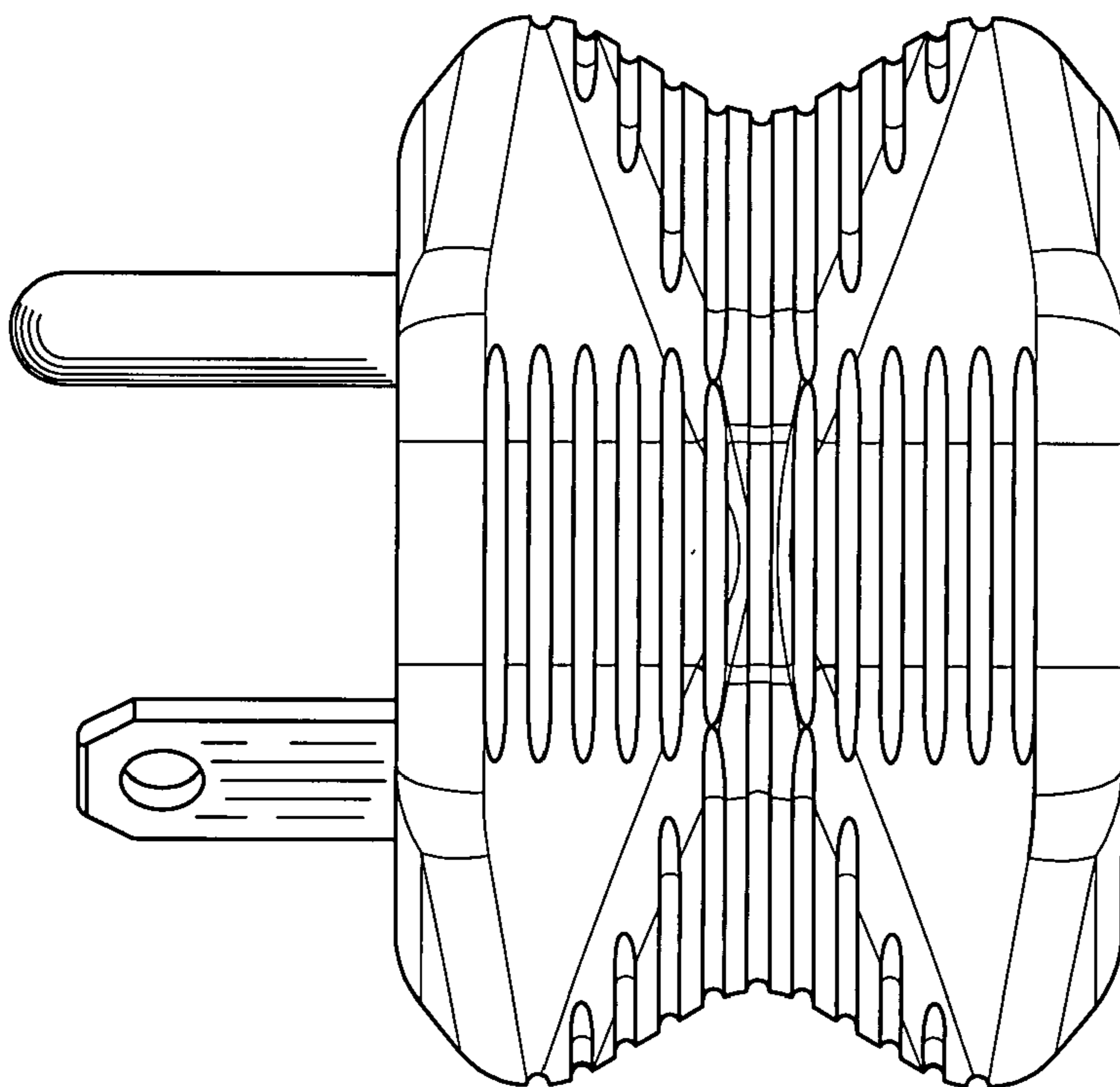


FIG. 16