



US00D564963S

(12) **United States Design Patent**
Sakamoto

(10) **Patent No.:** **US D564,963 S**
(45) **Date of Patent:** **** Mar. 25, 2008**

(54) **MALE-TYPE TUBE CONNECTOR HOUSING**

(75) Inventor: **Tetsuma Sakamoto**, Tokyo (JP)

(73) Assignee: **Tyco Electronics AMP K.K.**,
Kanagawa-ken (JP)

(**) Term: **14 Years**

(21) Appl. No.: **29/250,746**

(22) Filed: **Nov. 30, 2006**

(30) **Foreign Application Priority Data**

May 31, 2006 (JP) 2006-013790

(51) **LOC (8) Cl.** **13-03**

(52) **U.S. Cl.** **D13/133**

(58) **Field of Classification Search** D13/133,
D13/154, 184, 146-147; 439/248, 350, 352-354,
439/357, 603, 607, 660, 677, 680-682, 752
See application file for complete search history.

(56) **References Cited**

U.S. PATENT DOCUMENTS

3,824,524	A *	7/1974	Glover	439/282
D253,409	S *	11/1979	Voelkert	D13/133
D271,196	S *	11/1983	Tetreault	D13/133
4,762,388	A *	8/1988	Tanaka et al.	385/58
D318,718	S *	7/1991	Blatt	D23/262
D319,813	S *	9/1991	Kozono	D13/133
D474,447	S *	5/2003	Kano	D13/133
D475,014	S *	5/2003	Kano	D13/133
D552,034	S *	10/2007	Hobson et al.	D13/133
2006/0110978	A1 *	5/2006	Fan et al.	439/607

* cited by examiner

Primary Examiner—Daniel Bui

(74) *Attorney, Agent, or Firm*—Barley Snyder LLC

(57) **CLAIM**

The ornamental design for a male-type tube connector housing, as shown and described.

DESCRIPTION

FIG. 1 is a front elevation view of a male-type tube connector housing, showing my new design;

FIG. 2 is a top plan view thereof;

FIG. 3 is a bottom plan view thereof;

FIG. 4 is a right side elevation view thereof;

FIG. 5 is a left side elevation view thereof;

FIG. 6 is a rear elevation view thereof;

FIG. 7 is a top, front and left side perspective view thereof;

FIG. 8 is a bottom, rear and left side perspective view thereof;

FIG. 9 is a top, front and left side perspective view thereof in use condition;

FIG. 10 is a bottom, rear and left side perspective view thereof in use condition; and,

FIG. 11 is a cross-sectional view thereof taken along line 11—11 in FIG. 9.

The broken line showing of the environment is for illustrative purposes only and forms no part of the claimed design.

1 Claim, 11 Drawing Sheets

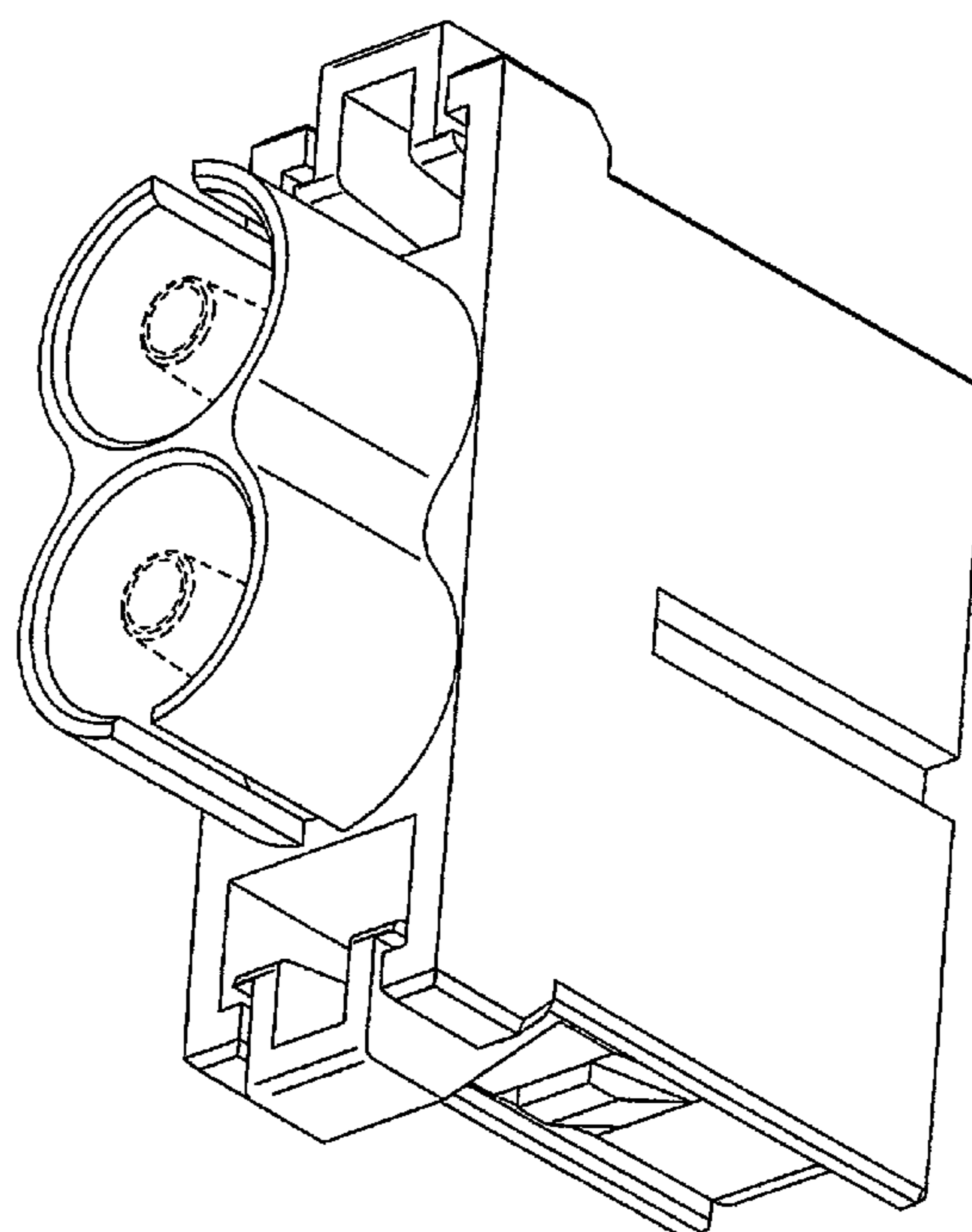


FIG. 1

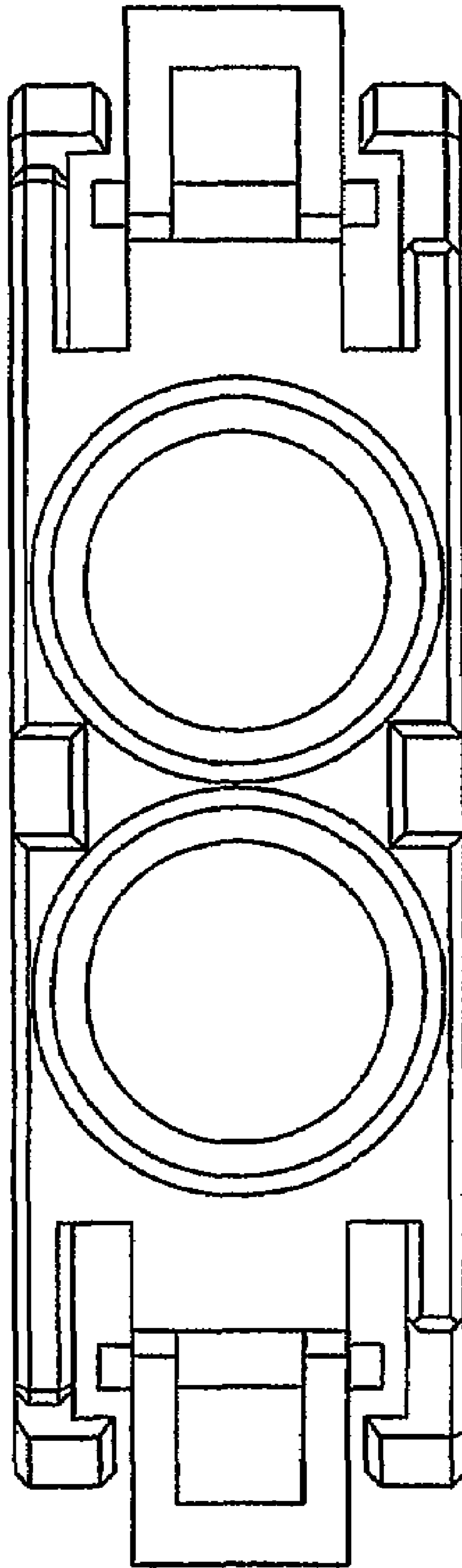


FIG.2

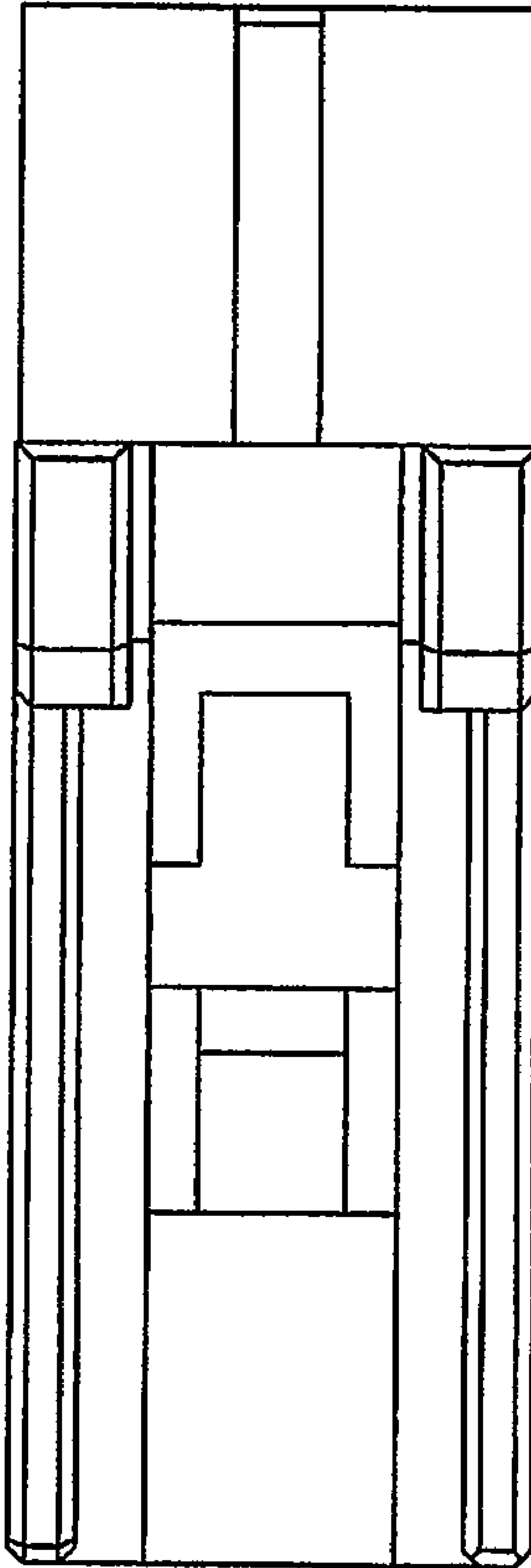


FIG. 3

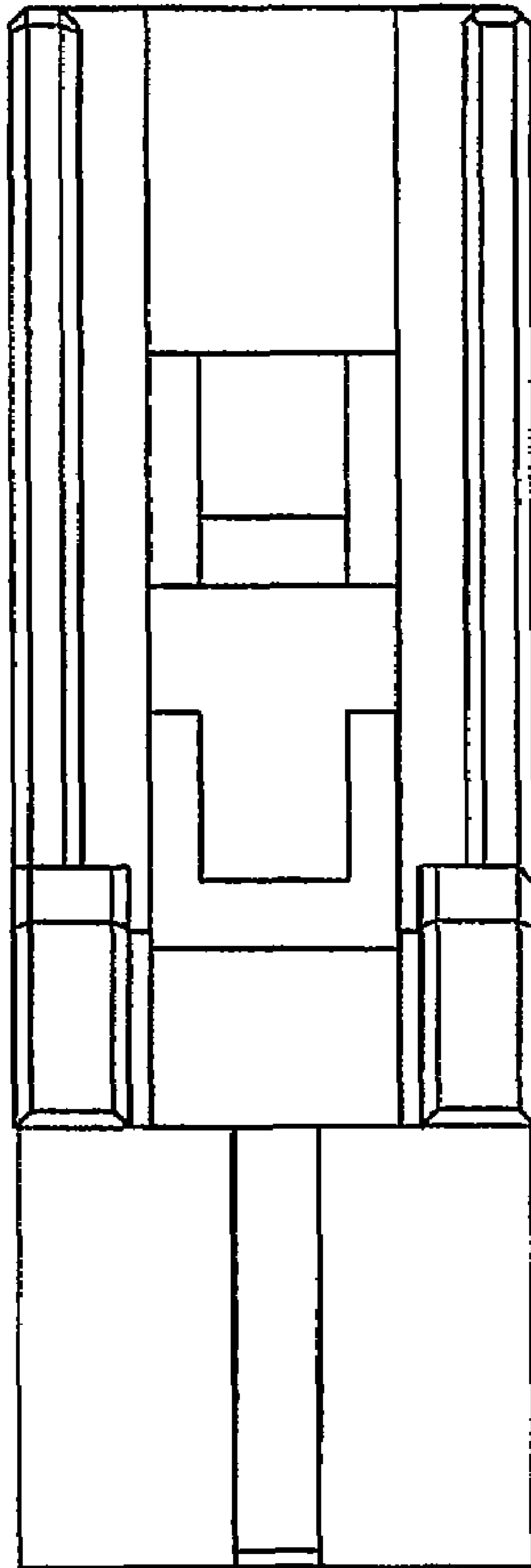


FIG.4

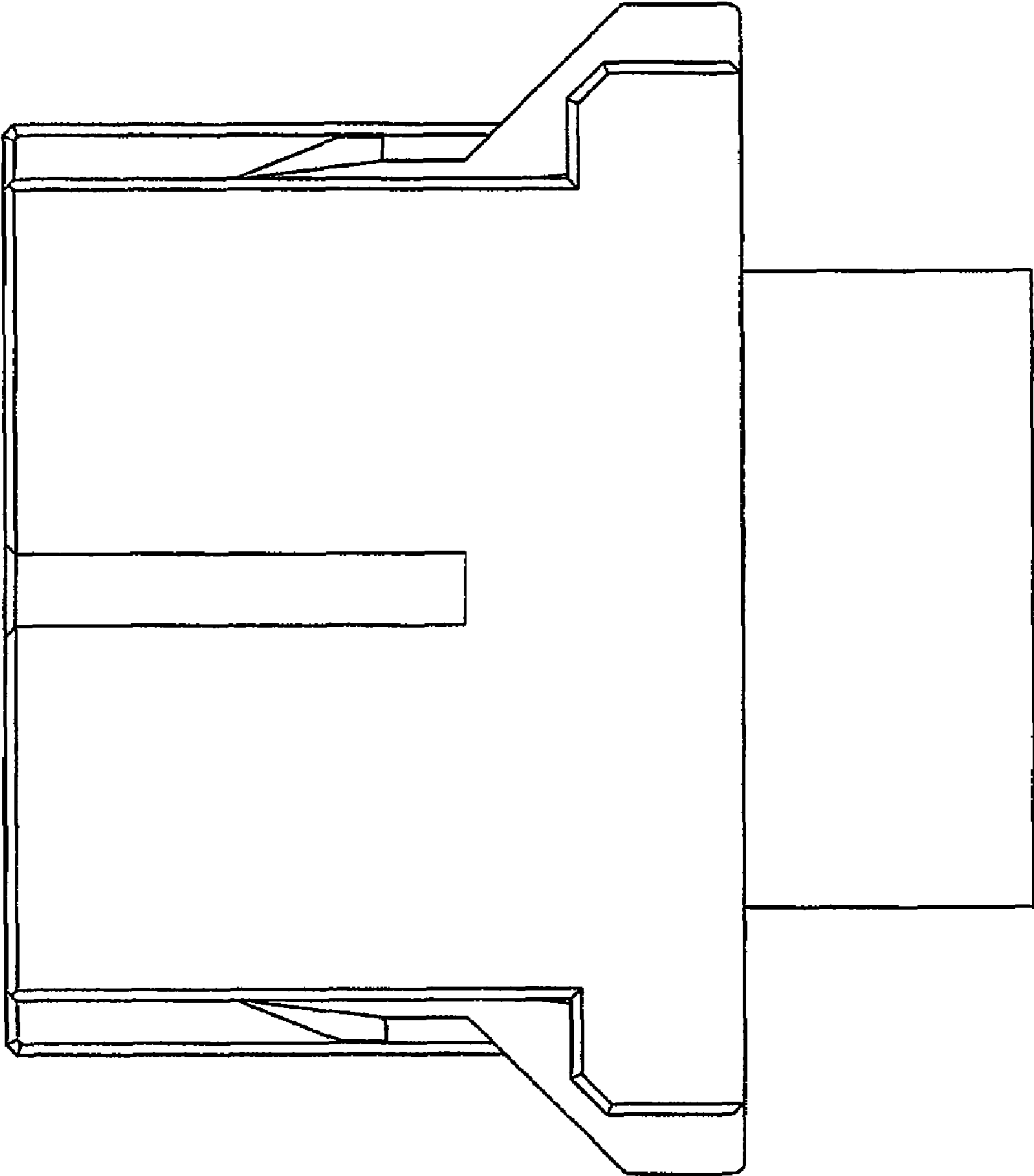


FIG.5

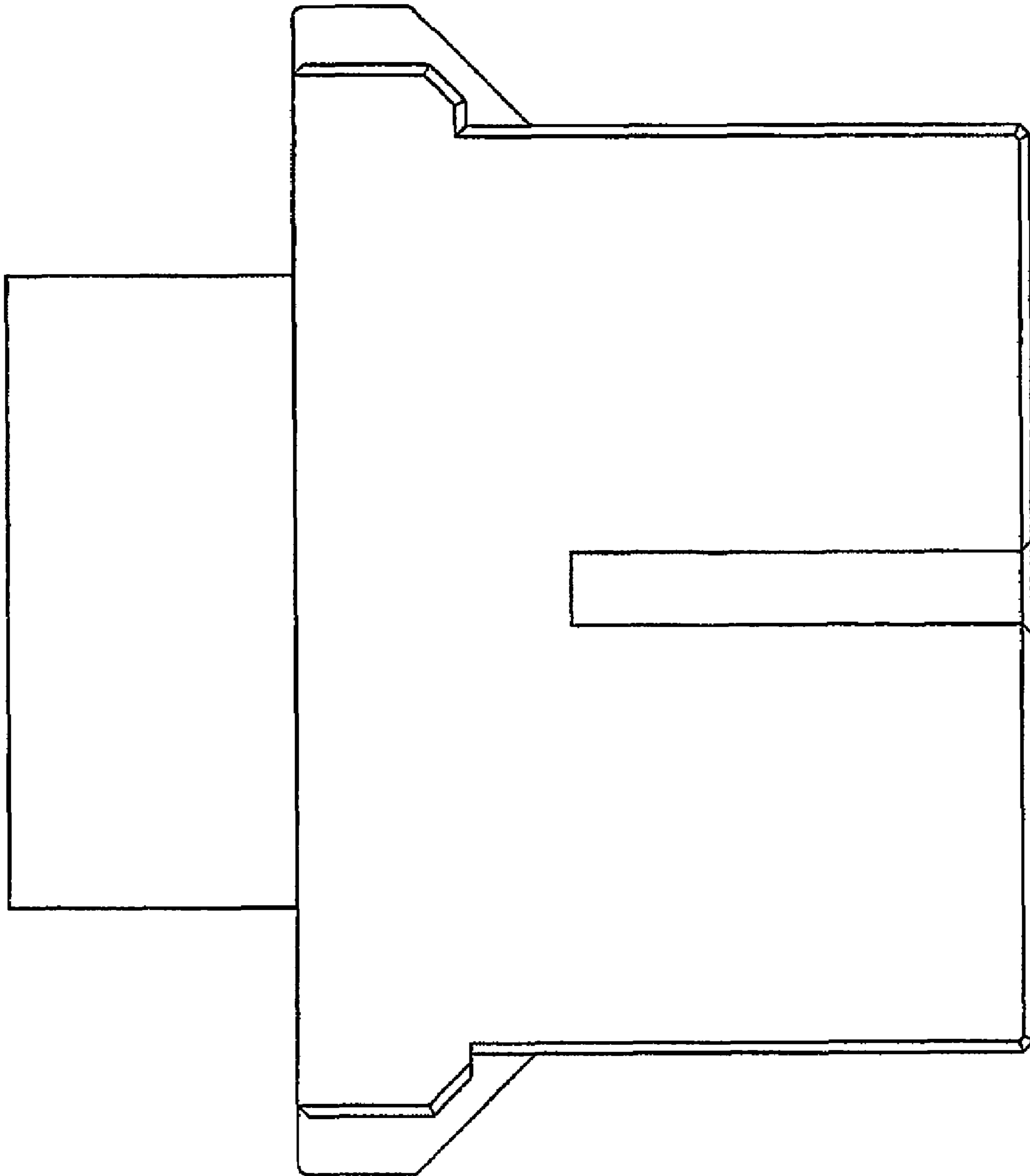


FIG.6

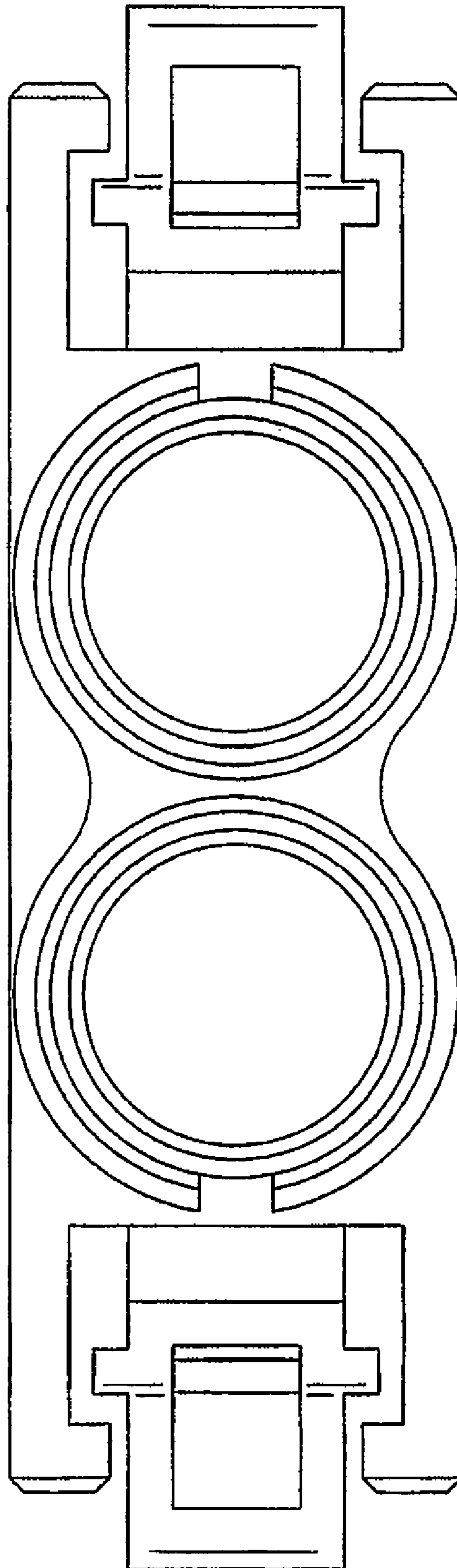


FIG.7

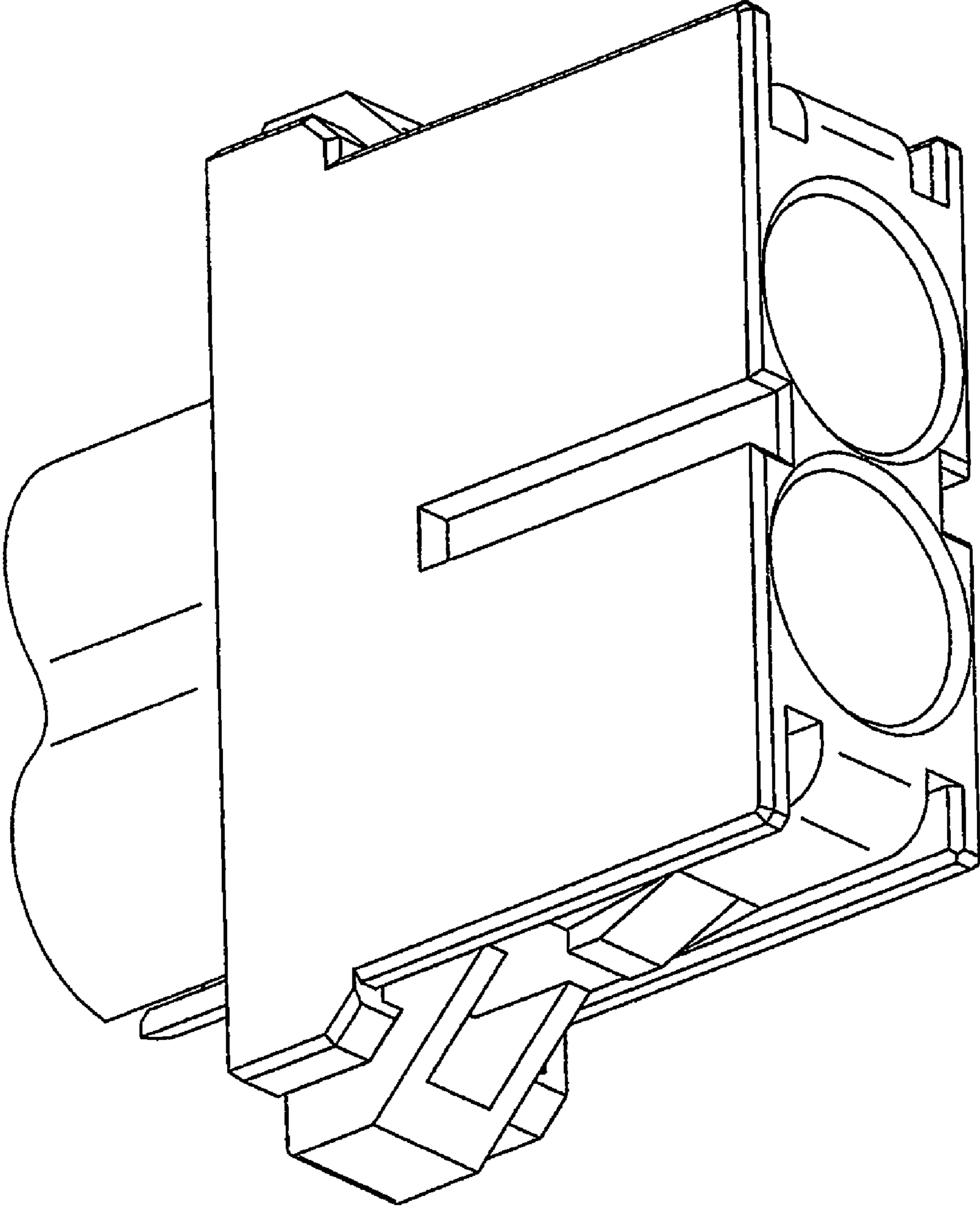


FIG.8

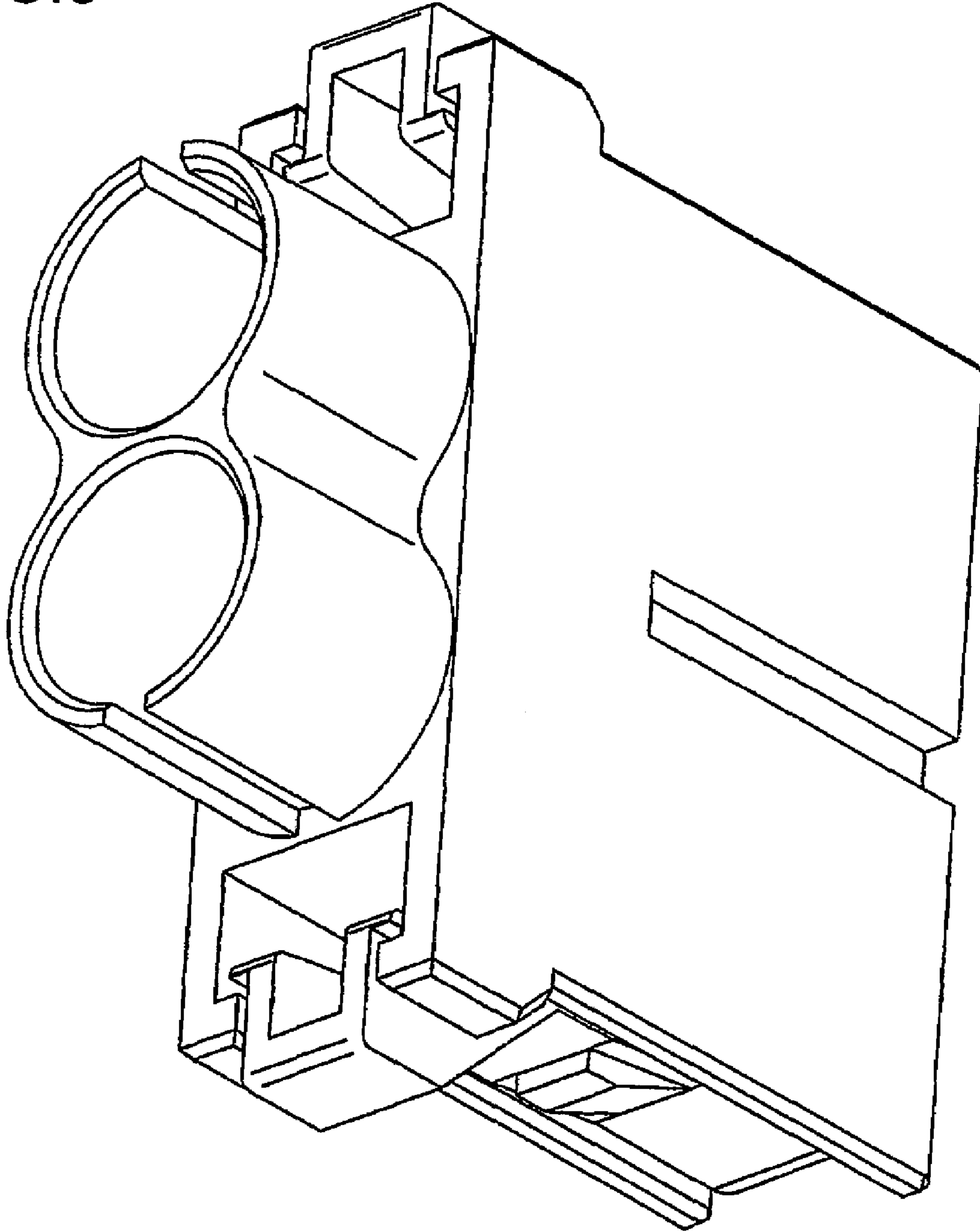


FIG.9

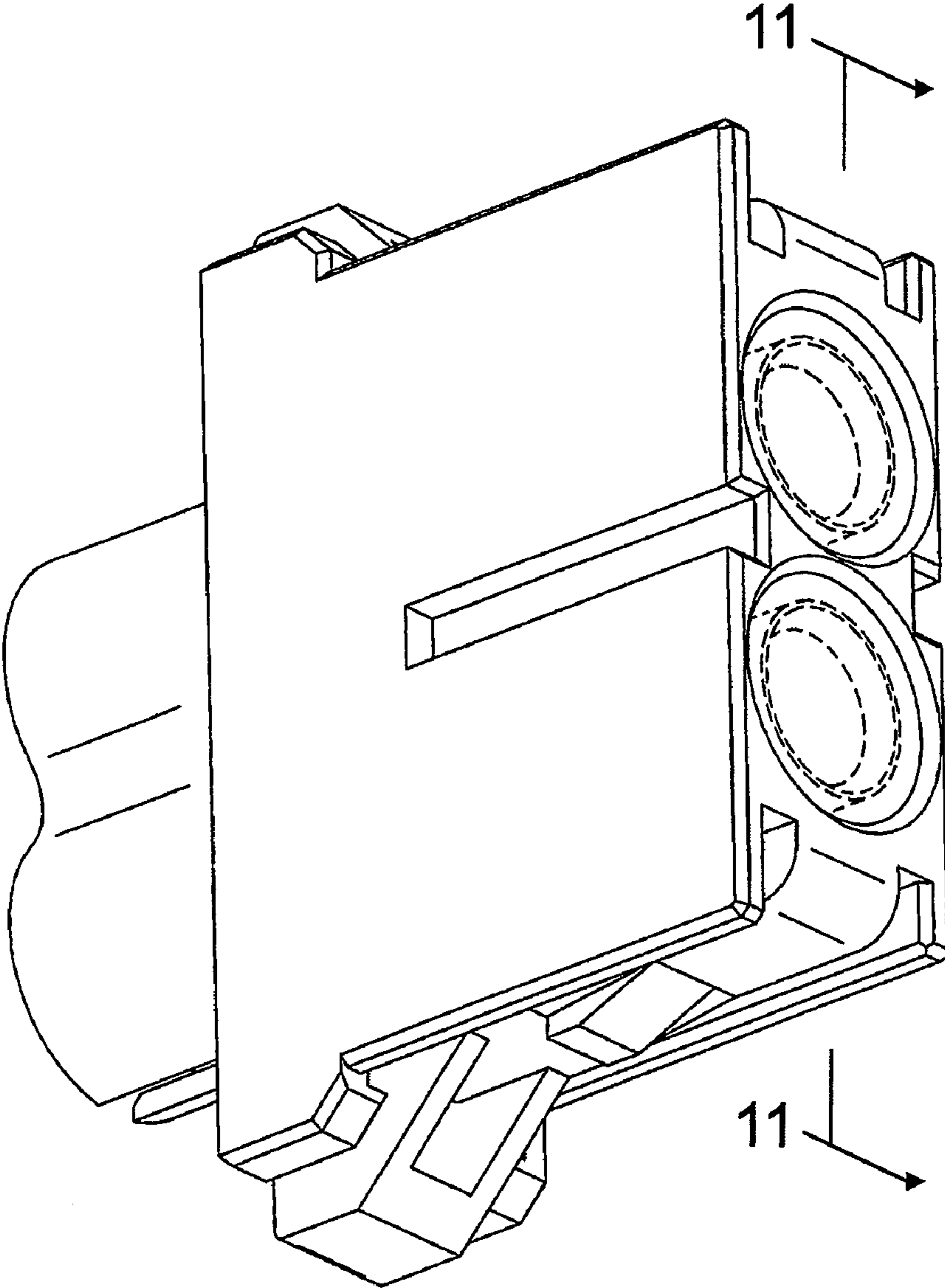


FIG.10

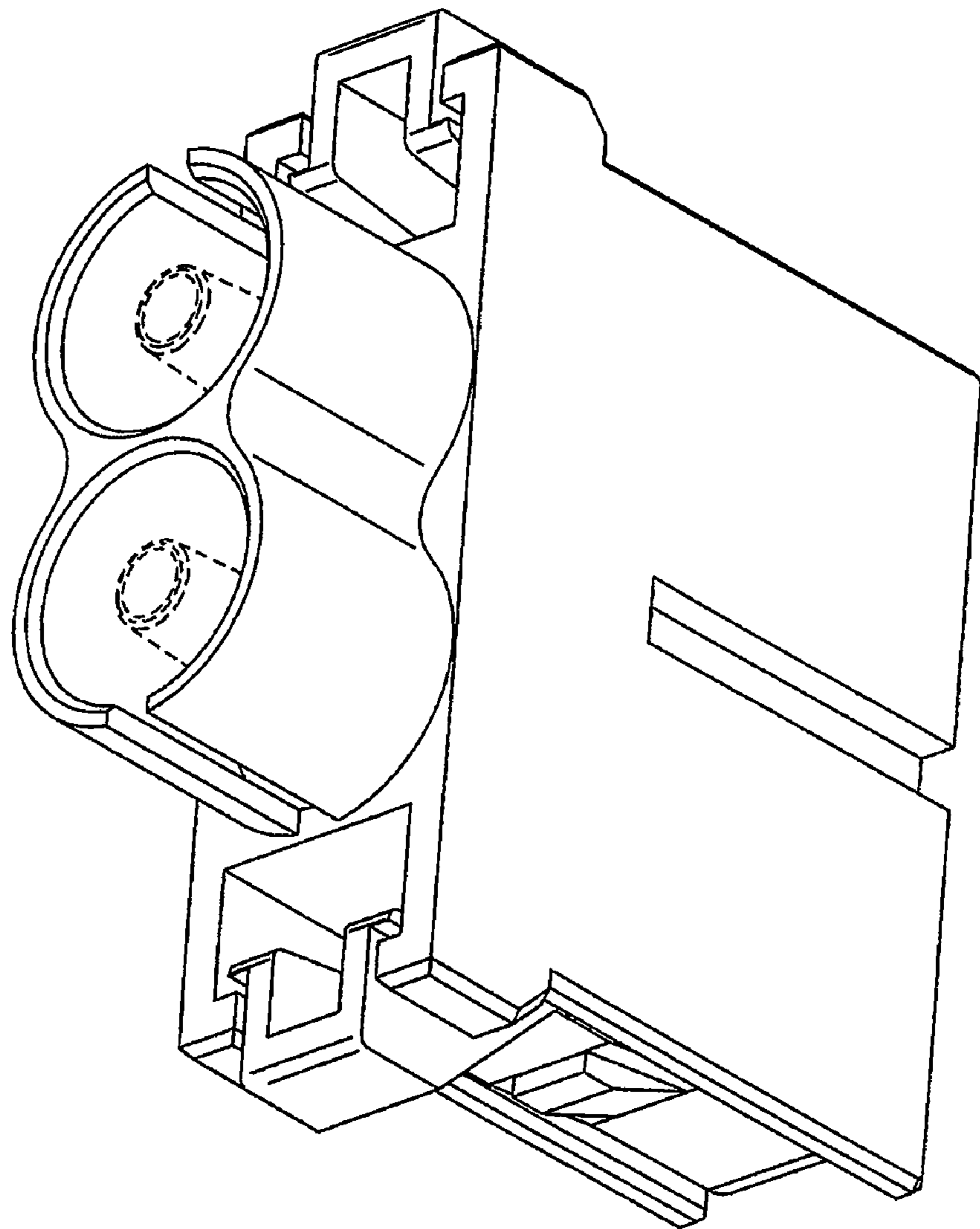


FIG.11

