



US00D564961S

(12) **United States Design Patent**  
**Chen**

(10) **Patent No.:** **US D564,961 S**

(45) **Date of Patent:** **\*\* Mar. 25, 2008**

(54) **POWER SUPPLY**

D465,453 S \* 11/2002 Chan ..... D13/110  
D506,977 S \* 7/2005 Lee ..... D13/110

(75) Inventor: **Michael Chen**, Taipei Hsien (TW)

\* cited by examiner

(73) Assignee: **Topower Computer Industrial Co., Ltd.**, Taipei Hsien (TW)

*Primary Examiner*—Prabhakar Deshmukh

*Assistant Examiner*—Derrick Holland

(\*\*) Term: **14 Years**

(74) *Attorney, Agent, or Firm*—Birch, Stewart, Kolasch & Birch, LLP

(21) Appl. No.: **29/272,838**

(57) **CLAIM**

(22) Filed: **Feb. 21, 2007**

The ornamental design for a power supply, as shown and described.

(51) **LOC (8) Cl.** ..... **13-02**

(52) **U.S. Cl.** ..... **D13/110**

(58) **Field of Classification Search** ..... D13/110,  
D13/101, 123, 162, 184, 199; D9/432; D14/300,  
D14/301; 307/150; 361/601, 622, 695,  
361/730; 363/144

See application file for complete search history.

**DESCRIPTION**

FIG. 1 is a perspective view of a power supply showing my new design thereof;

FIG. 2 is a right side elevational view thereof;

FIG. 3 is a top plan view thereof;

FIG. 4 is a front side elevational view thereof;

FIG. 5 is a bottom plan view thereof;

FIG. 6 is a left side elevational view thereof; and,

FIG. 7 is a rear side elevational view thereof.

The broken lines shown are for illustrative purpose and form no part of the claimed design.

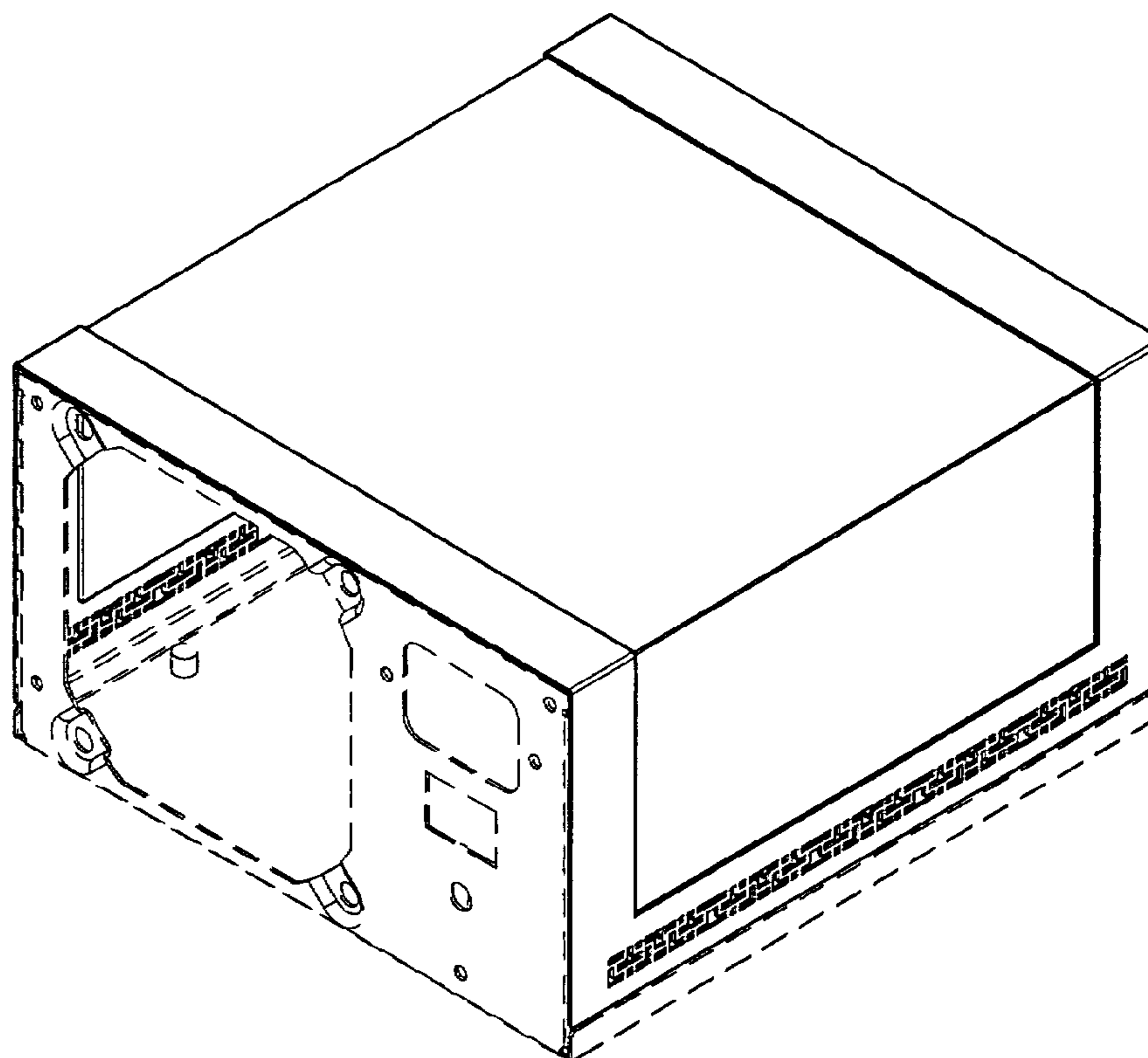
The broken lines shown which define the bounds of the claimed design form no part thereof.

(56) **References Cited**

U.S. PATENT DOCUMENTS

3,582,714	A *	6/1971	Shmurak et al. ....	361/714
D339,101	S *	9/1993	Delamoreaux et al. ....	D13/110
D345,137	S *	3/1994	Thomas .....	D13/110
D390,532	S *	2/1998	Su .....	D13/110
5,949,652	A *	9/1999	McAnally et al. ....	361/726
D431,810	S *	10/2000	Weng .....	D13/110
D436,075	S *	1/2001	Chou .....	D13/110
6,215,664	B1 *	4/2001	Hernandez et al. ....	361/725
D453,139	S *	1/2002	Yang .....	D13/110

**1 Claim, 4 Drawing Sheets**



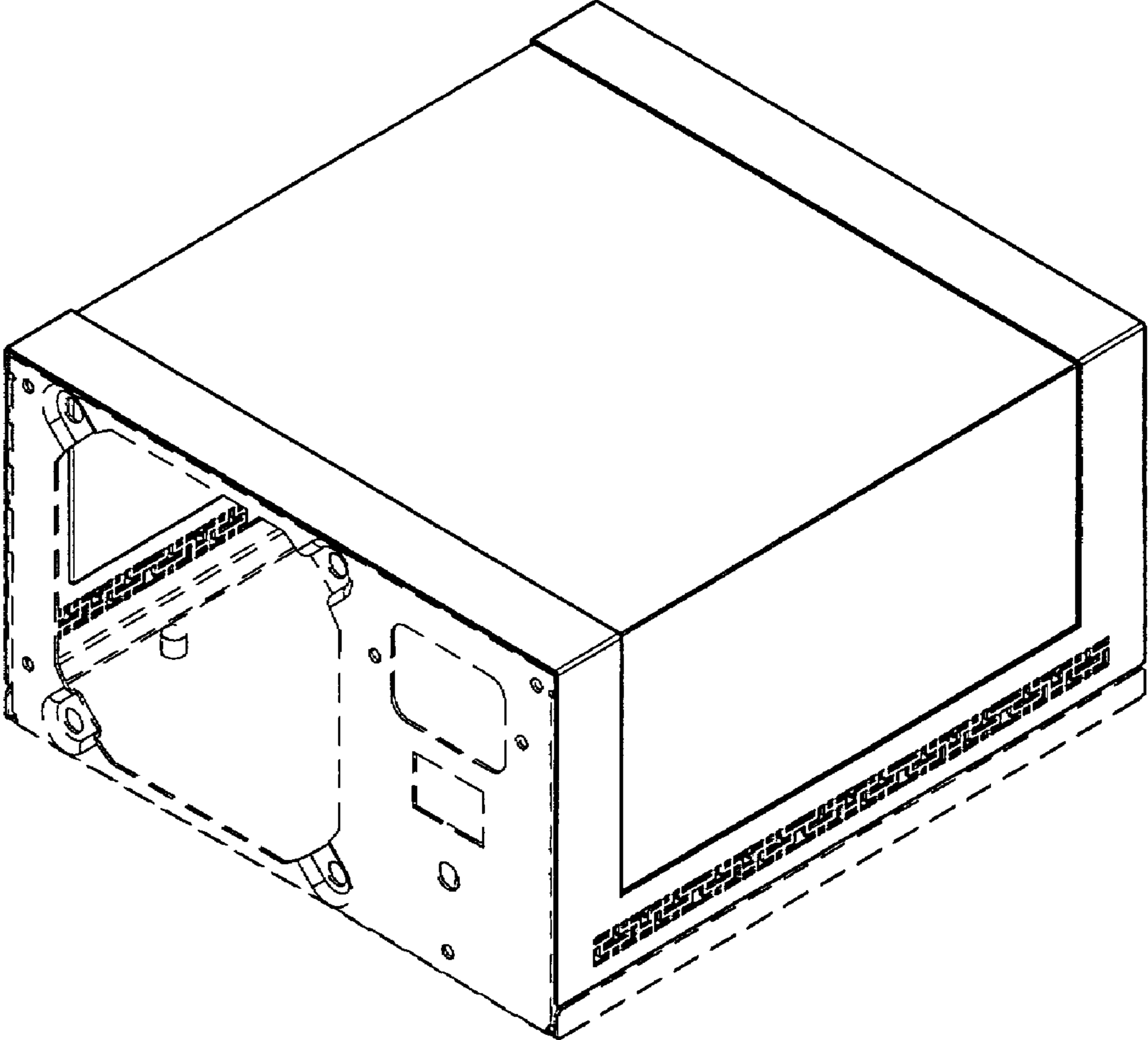


Fig. 1

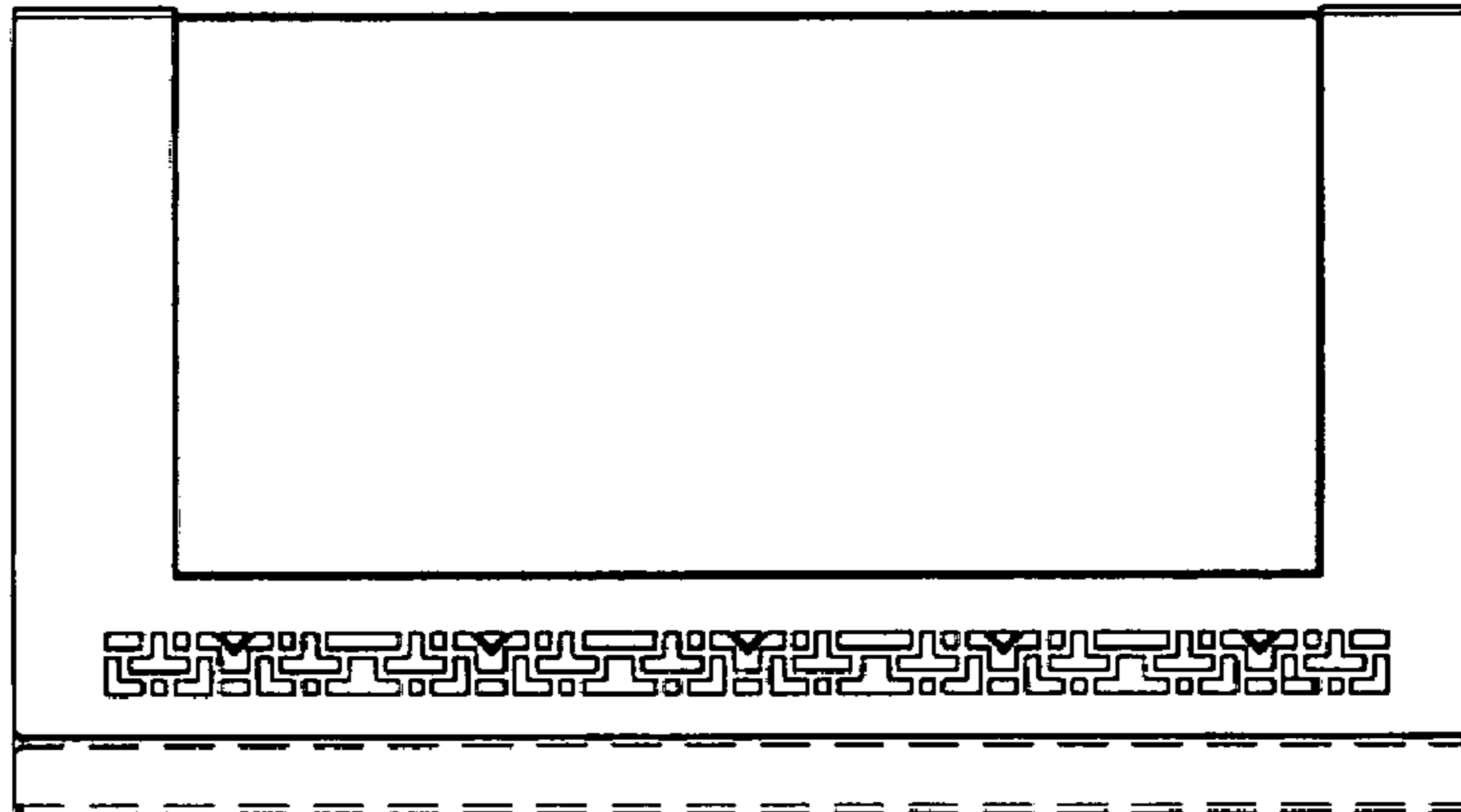


Fig. 2

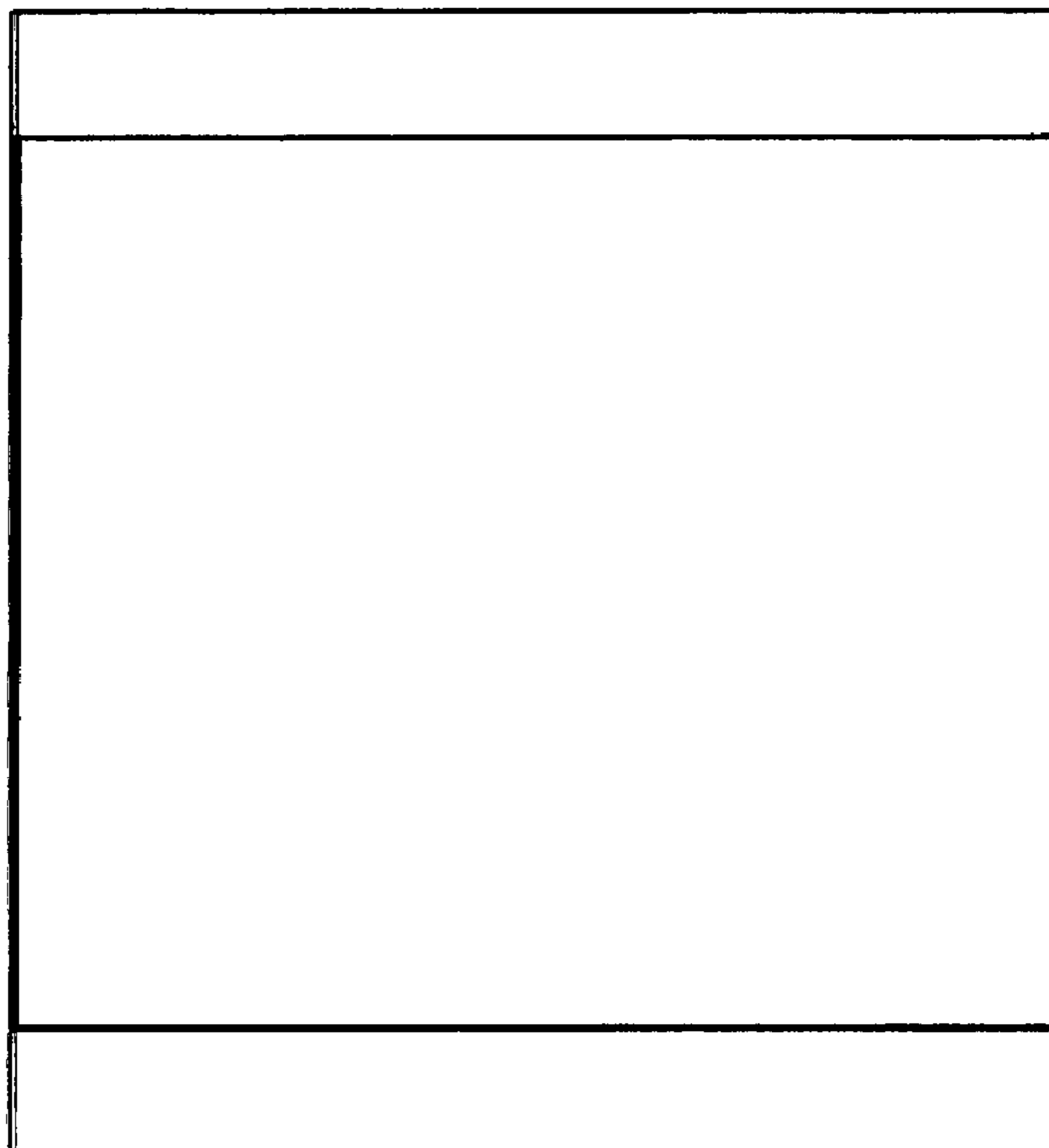


Fig. 3

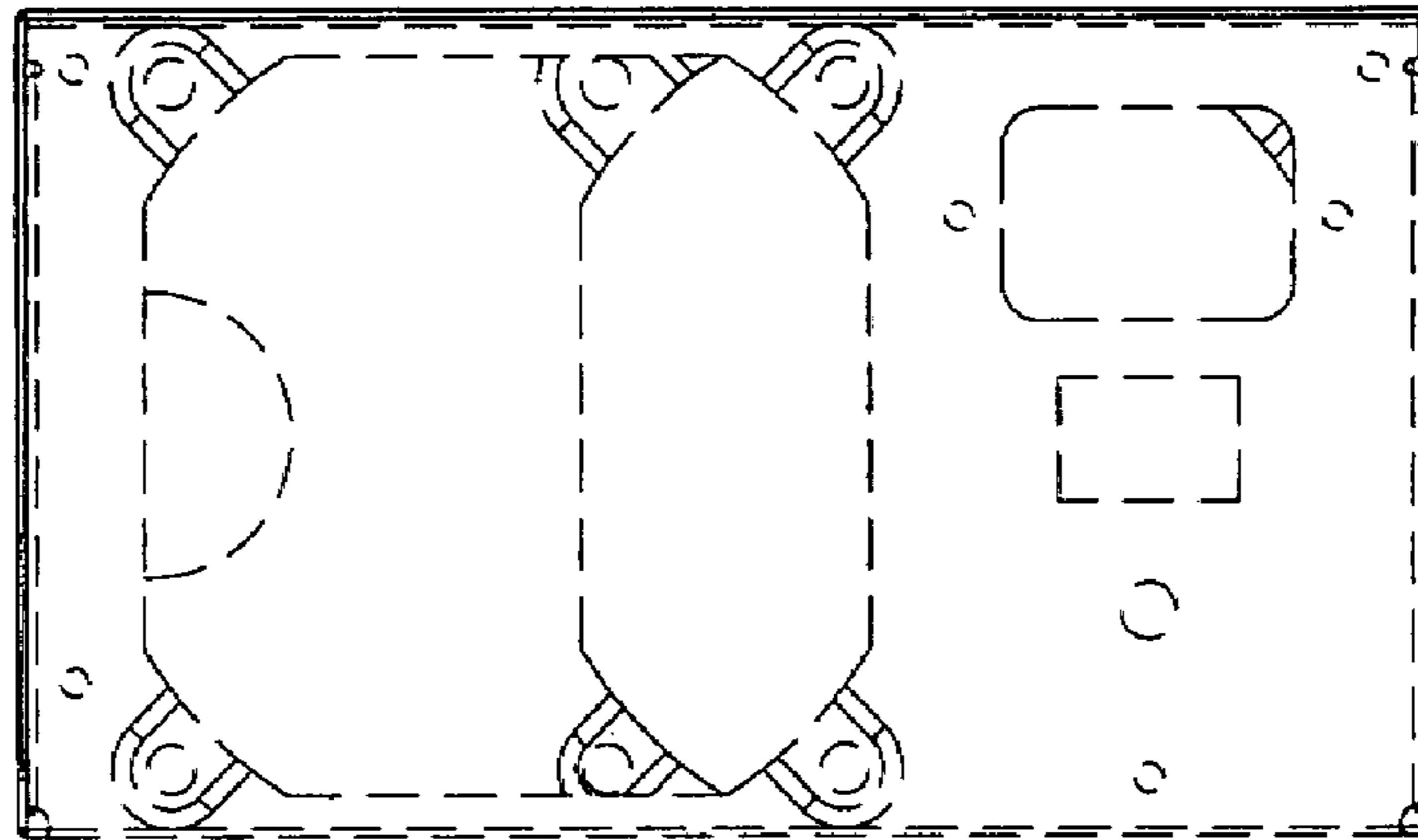


Fig. 4

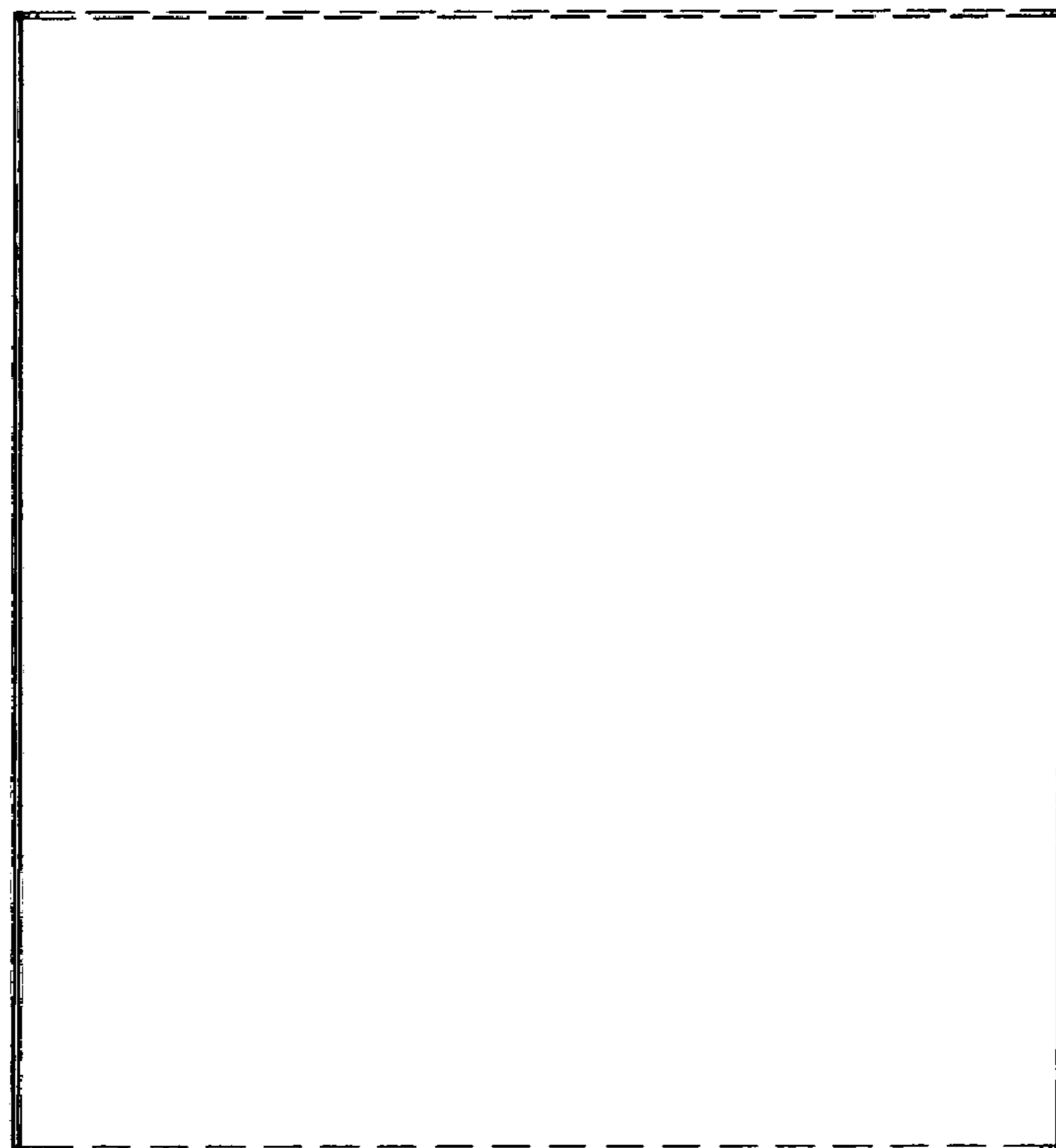


Fig. 5

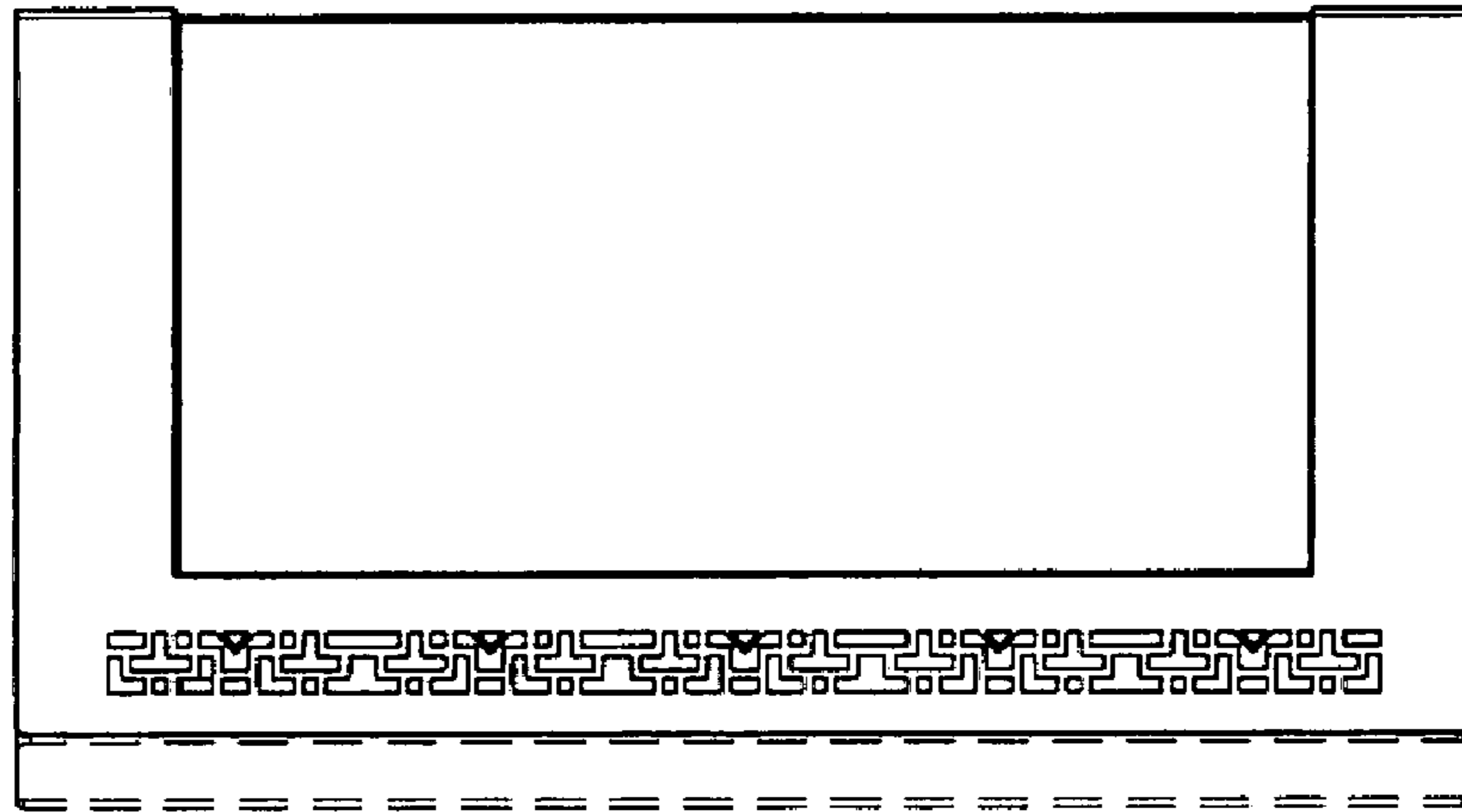


Fig. 6

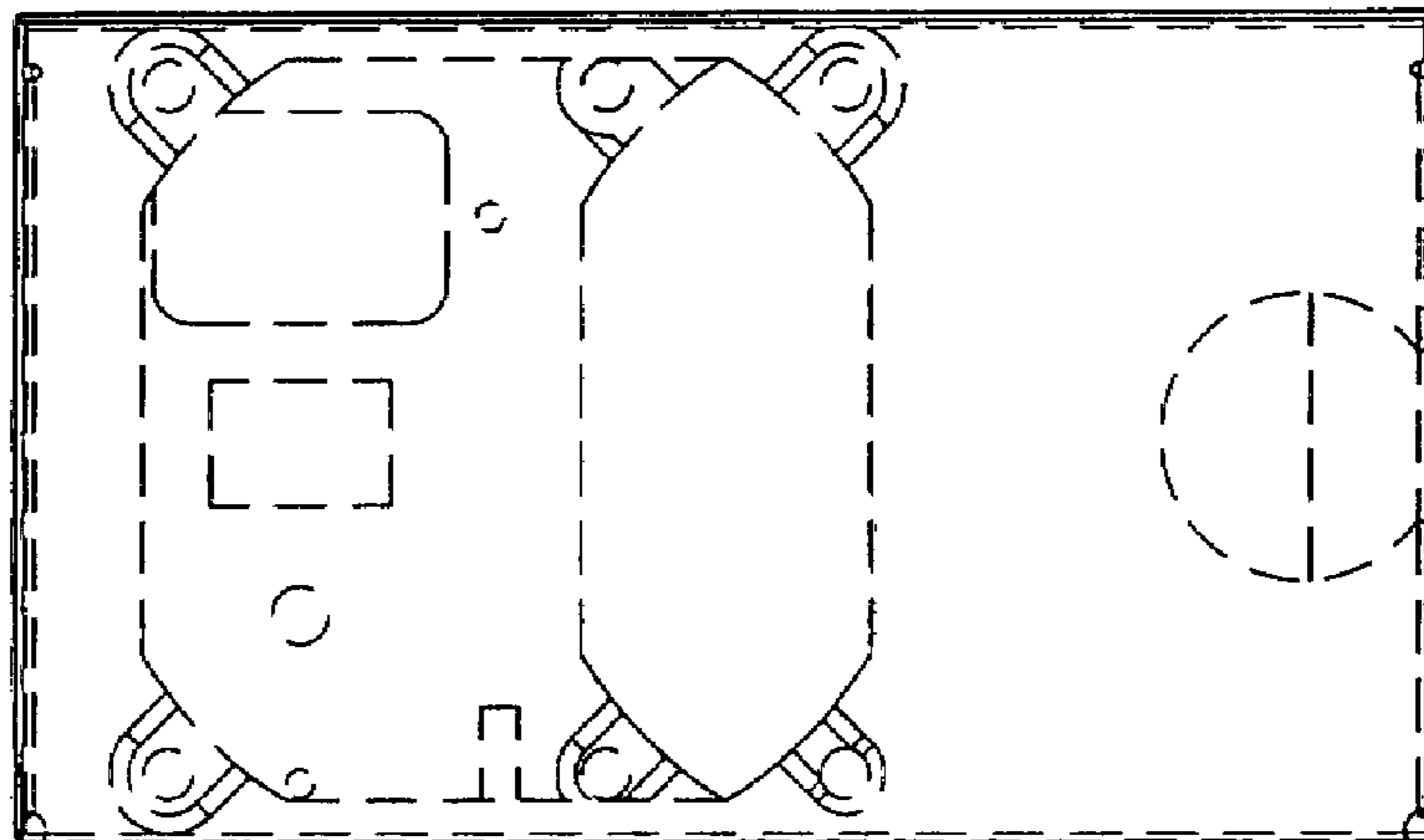


Fig. 7