

US00D564959S

(12) **United States Design Patent**
Heine et al.

(10) **Patent No.:** **US D564,959 S**
(45) **Date of Patent:** **** Mar. 25, 2008**

(54) **BATTERY CHARGING APPARATUS**

(75) Inventors: **Helmut Heine**, Diessen (DE); **Oliver Heine**, Herrsching (DE); **Dirk Schade**, Penzberg (DE); **Elsa Ploetz**, Andechs (DE); **Stefan Knesewitsch**, Herrsching (DE); **Norbert Merkt**, Breitbrunn (DE)

(73) Assignee: **Heine Optotechnik GmbH & Co. KG**, Herrsching (DE)

(**) Term: **14 Years**

(21) Appl. No.: **29/259,260**

(22) Filed: **May 5, 2006**

(30) **Foreign Application Priority Data**

Nov. 11, 2005 (EM) 000438593-0001

(51) **LOC (8) Cl.** **13-02**

(52) **U.S. Cl.** **D13/107**

(58) **Field of Classification Search** D13/107-110,
D13/118-119, 184; D14/251, 253, 432,
D14/434; 320/107-115

See application file for complete search history.

(56) **References Cited**

U.S. PATENT DOCUMENTS

- D277,662 S * 2/1985 Huntington et al. D13/107
- D350,330 S * 9/1994 Peterson D13/107
- D442,141 S * 5/2001 Ikenaga D13/107
- D474,737 S * 5/2003 Yoshida D13/108
- D483,016 S * 12/2003 Ma et al. D13/108

- D489,325 S * 5/2004 Nakamura D13/110
- D520,943 S * 5/2006 Imai D13/108
- D523,847 S * 6/2006 Naruki D14/217
- D535,615 S * 1/2007 Iwai D13/108

OTHER PUBLICATIONS

Heine Accubox and Transformer E10, Heine Gesamtkatalog 2005, p. 109. printed in Germany in Nov. 2004 (3 pages).

* cited by examiner

Primary Examiner—Robin V. Webster

Assistant Examiner—Rosemary K Tarcza

(74) *Attorney, Agent, or Firm*—Rothwell Figg Ernst & Manbeck, P.C.

(57) **CLAIM**

The ornamental design for a battery charging apparatus, as shown and described.

DESCRIPTION

FIG. 1 is a perspective view of a battery charging apparatus in accordance with the present invention.

FIG. 2 is a front elevational view of the apparatus of FIG. 1.

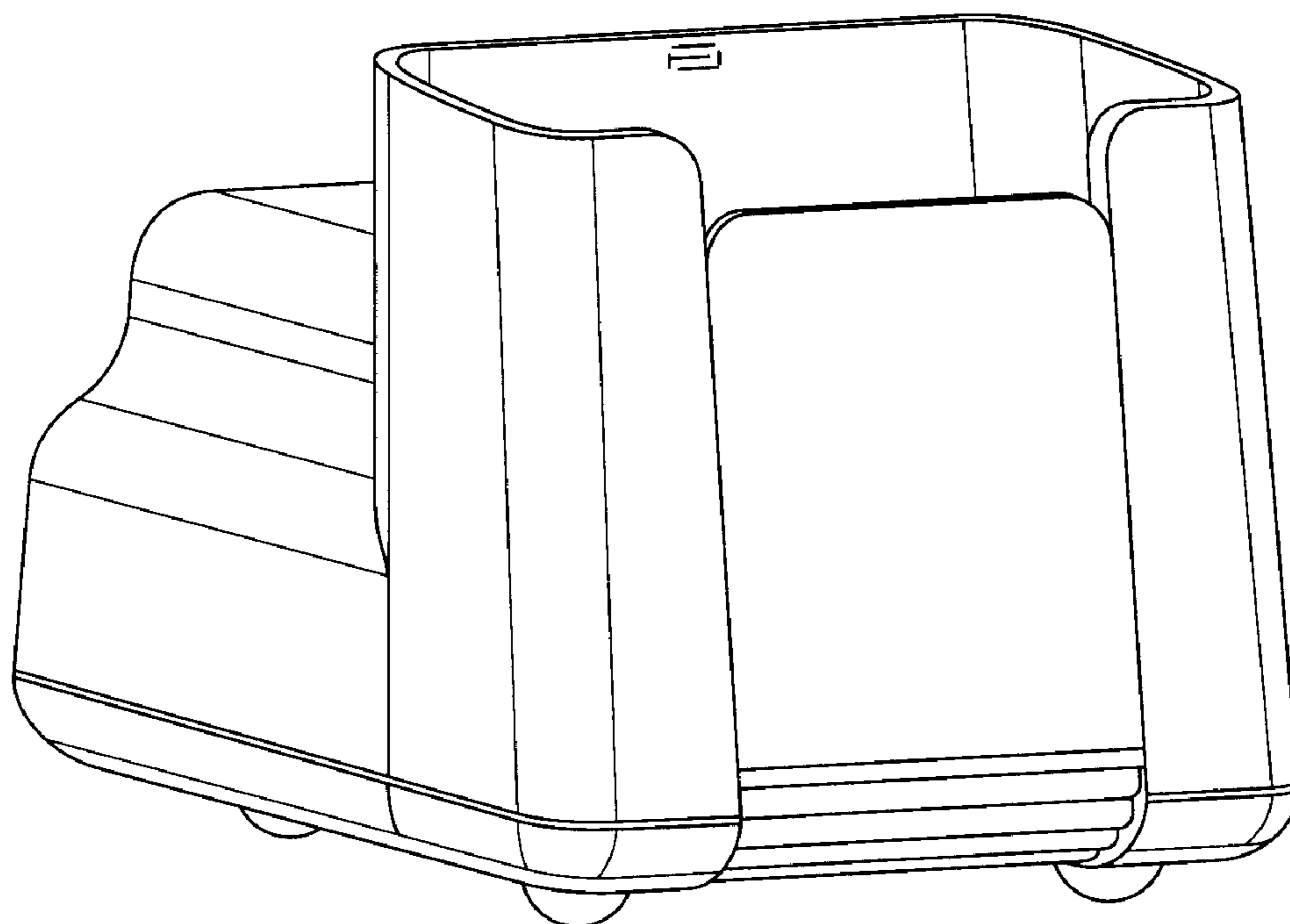
FIG. 3 is a side elevational view of the apparatus of FIG. 1.

FIG. 4 is a rear elevational view of the apparatus of FIG. 1; and,

FIG. 5 is a top elevational view of the apparatus of FIG. 1.

The broken line showing is included for the purpose of illustrating environmental features and forms no part of the claimed design.

1 Claim, 3 Drawing Sheets



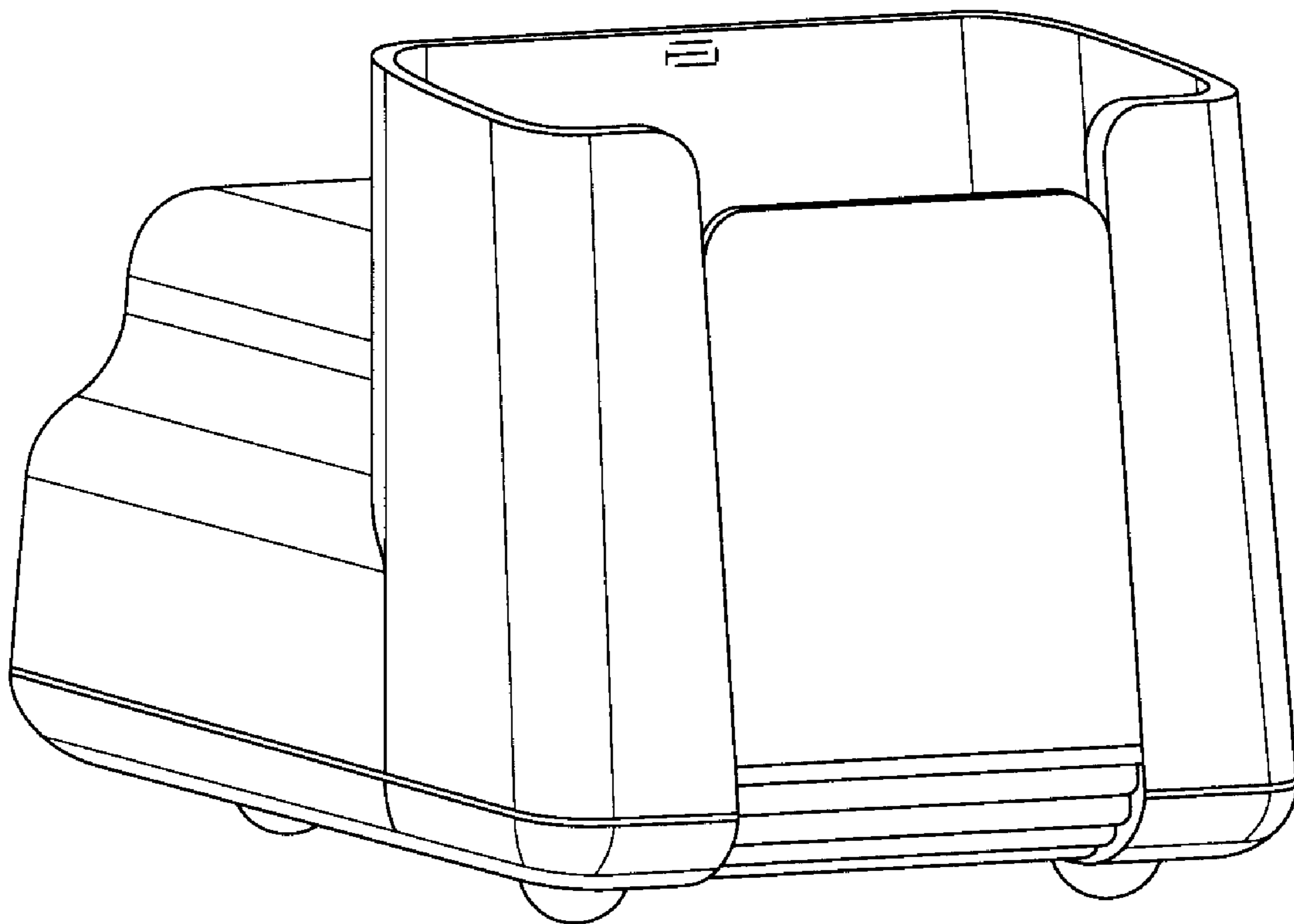


FIG. 1

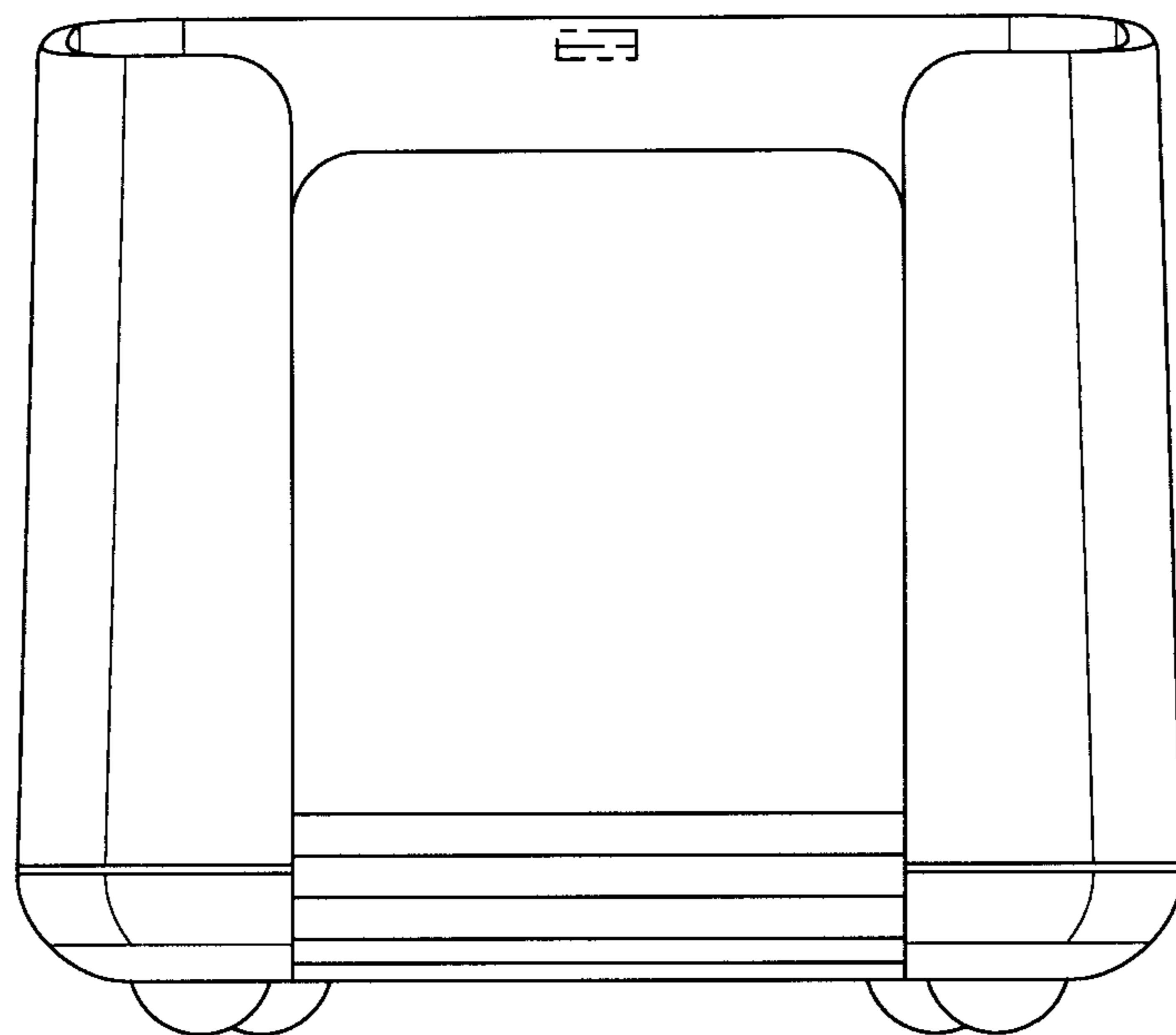


FIG. 2

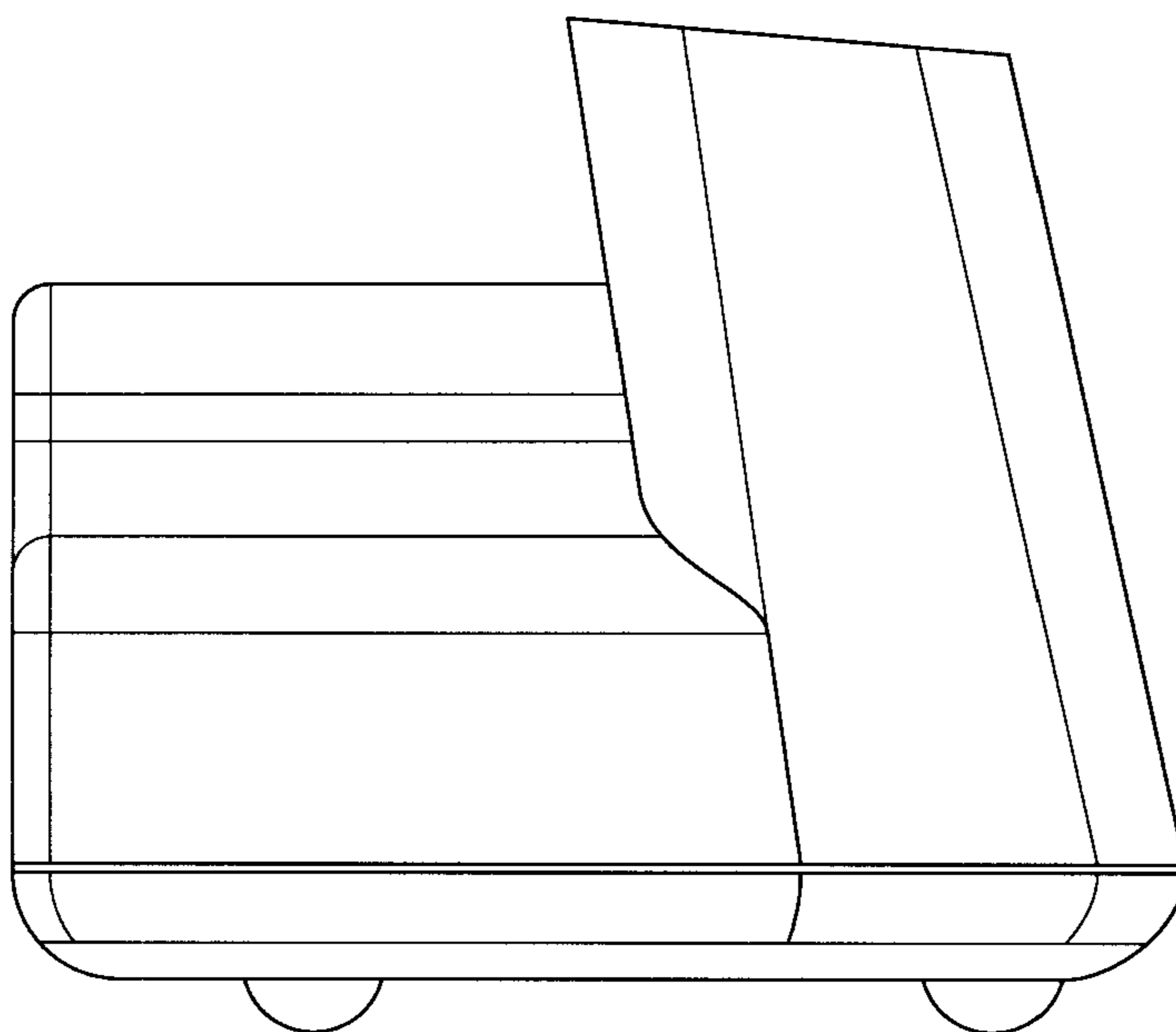


FIG. 3

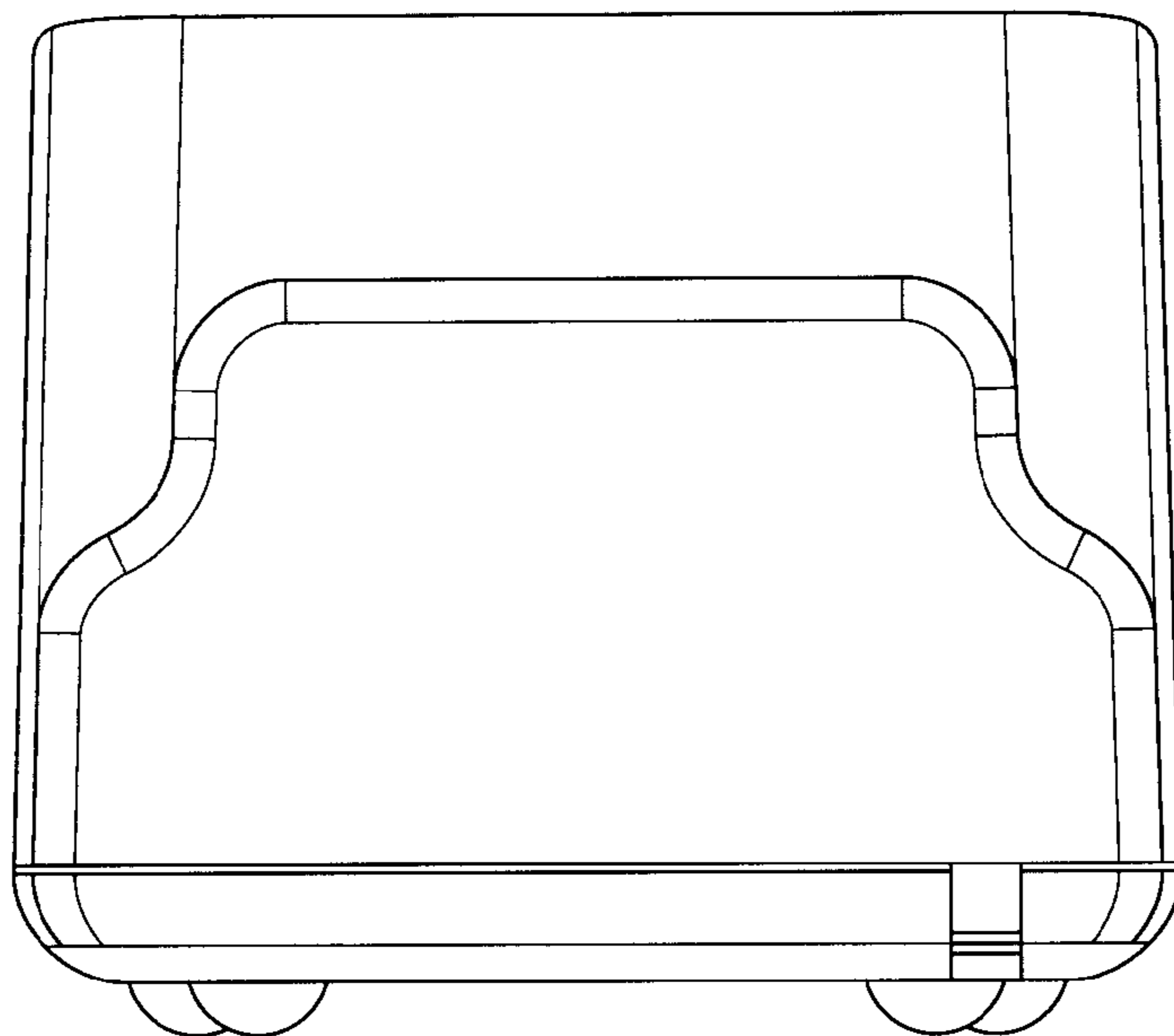


FIG. 4

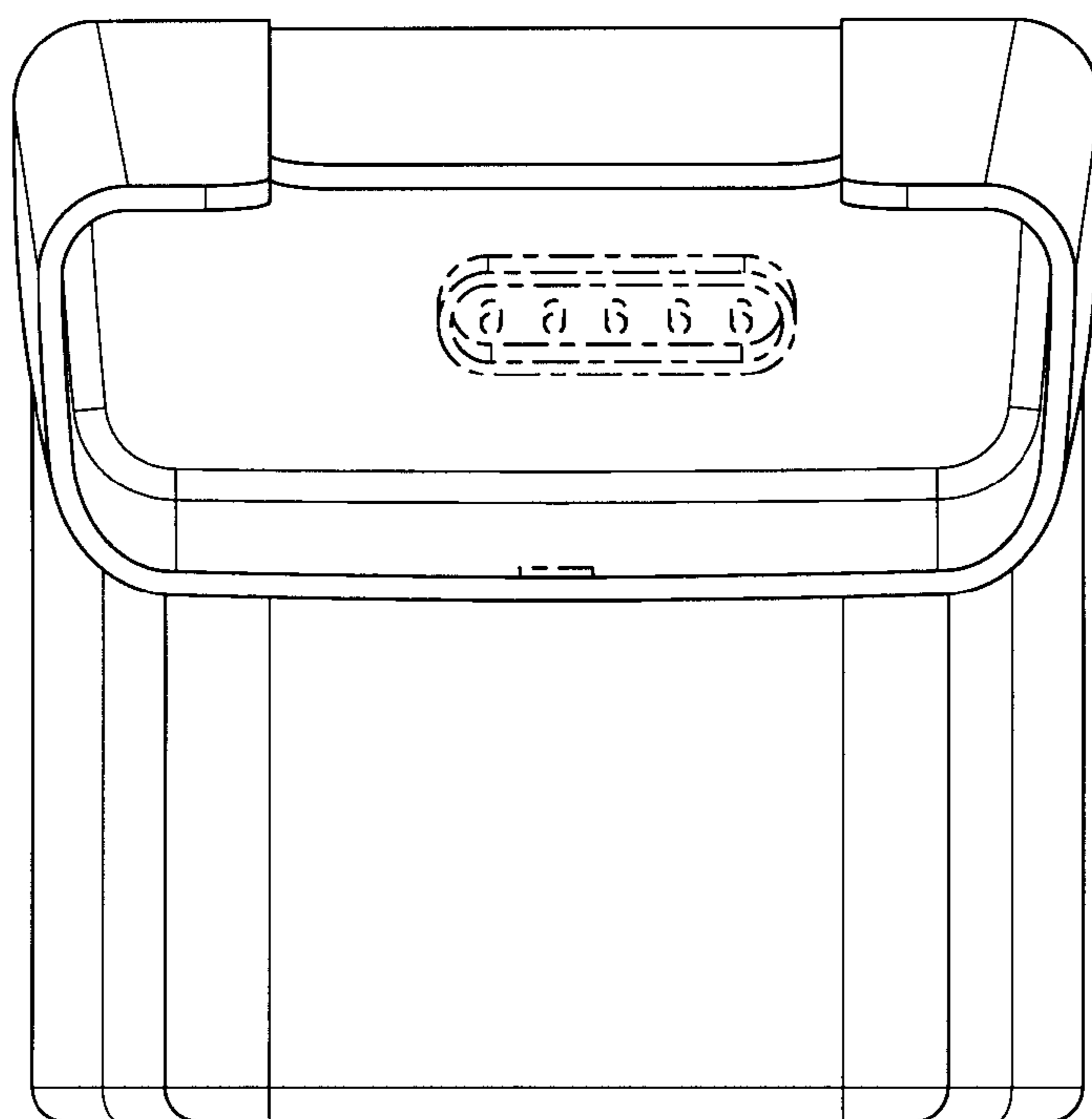


FIG. 5