



US00D564958S

(12) **United States Design Patent**
Almy et al.

(10) **Patent No.:** **US D564,958 S**
(45) **Date of Patent:** **** *Mar. 25, 2008**

(54) **SUPPORT BASE FOR SOLAR COLLECTOR ASSEMBLY**

D510,315 S * 10/2005 Shugar et al. D13/102

(75) Inventors: **Charles Almy**, Berkeley, CA (US);
Jason Jones, Berkeley, CA (US)

* cited by examiner

Primary Examiner—Prabhakar Deshmukh

Assistant Examiner—Derrick Holland

(73) Assignee: **SunPower Corporation**, San Jose, CA (US)

(74) *Attorney, Agent, or Firm*—James F. Hann; Haynes Beffel & Wolfeld LLP

(*) Notice: This patent is subject to a terminal disclaimer.

(57) **CLAIM**

The ornamental design for a support base for solar collector assembly, as shown and described.

(**) Term: **14 Years**

DESCRIPTION

(21) Appl. No.: **29/278,260**

The support base for solar collector assembly is used to support solar collector assemblies, typically ground-mounted solar collector assemblies.

(22) Filed: **Mar. 23, 2007**

This application is related to the following U.S. patent application, having the same inventors and the same title, and filed on the same day as this application: application Ser. No. 29/278,258.

(51) **LOC (8) Cl.** **13-02**

(52) **U.S. Cl.** **D13/102**

(58) **Field of Classification Search** D13/102,
D13/184, 199; D6/449, 512, 519, 540, 574;
D8/352, 354; D22/110; 126/621–623, 704,
126/904; 136/251

See application file for complete search history.

FIG. 1 is an isometric view of a support base for solar collector assembly, showing our new design;

FIG. 2 is a front elevational view thereof;

FIG. 3 is a right side elevational view thereof, the left side elevational view being identical;

FIG. 4 is a top plan view thereof; and,

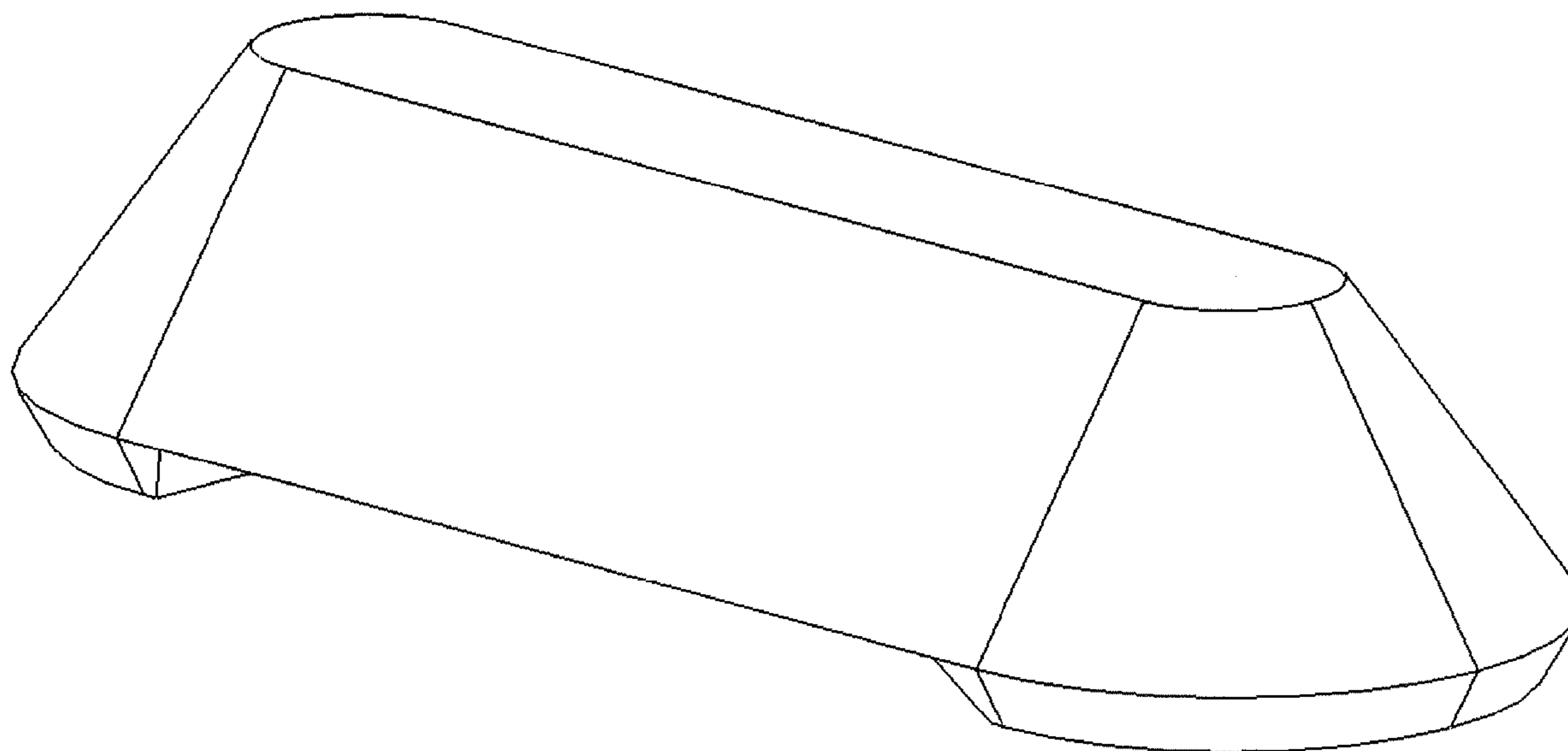
FIG. 5 is a bottom plan view thereof.

(56) **References Cited**

U.S. PATENT DOCUMENTS

D256,840 S *	9/1980	Katz	D13/102
D357,603 S *	4/1995	Wolff	D6/449
D361,561 S *	8/1995	Baudot	D14/447
5,768,831 A *	6/1998	Melchior	52/173.3
D416,878 S *	11/1999	Yeh et al.	D14/447

1 Claim, 5 Drawing Sheets



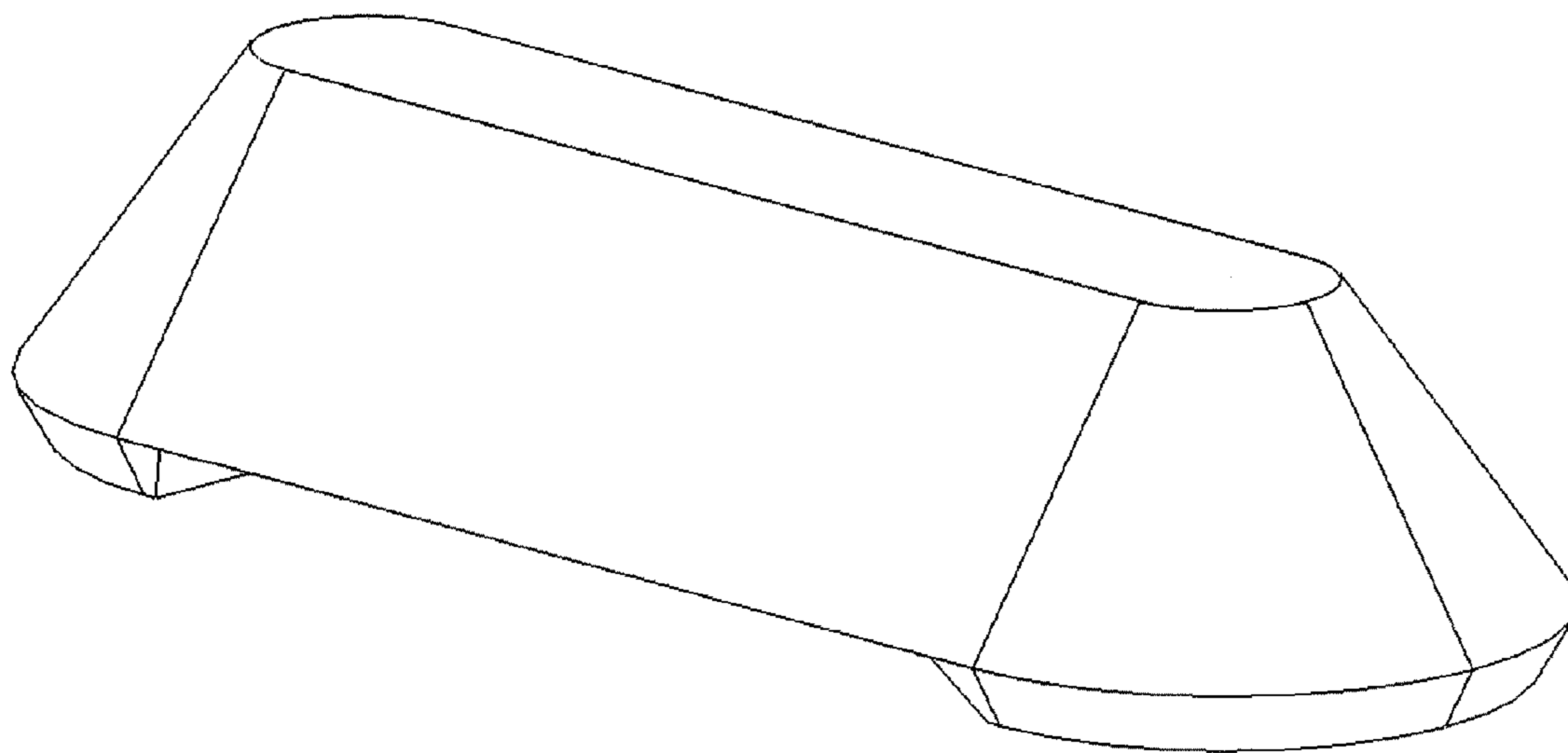


FIG. 1

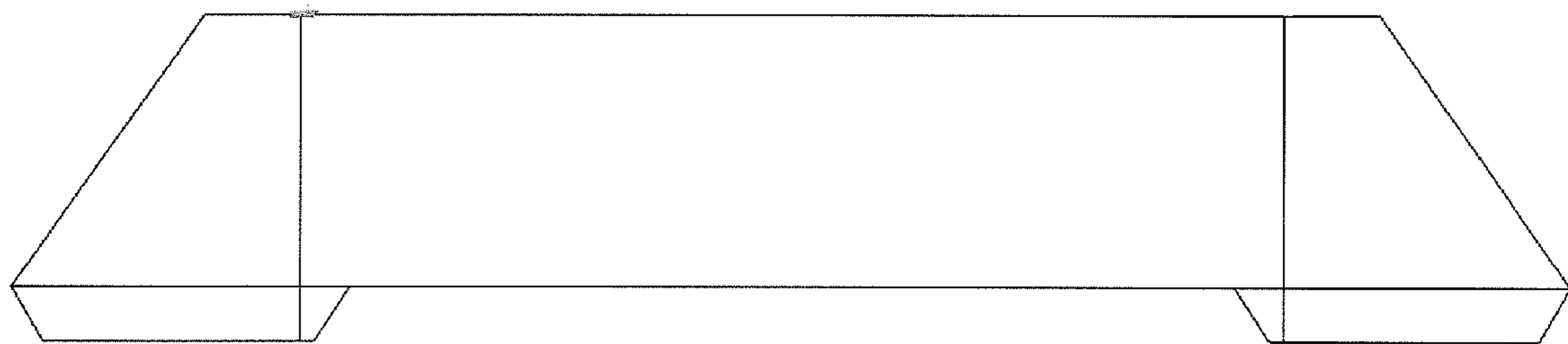


FIG. 2

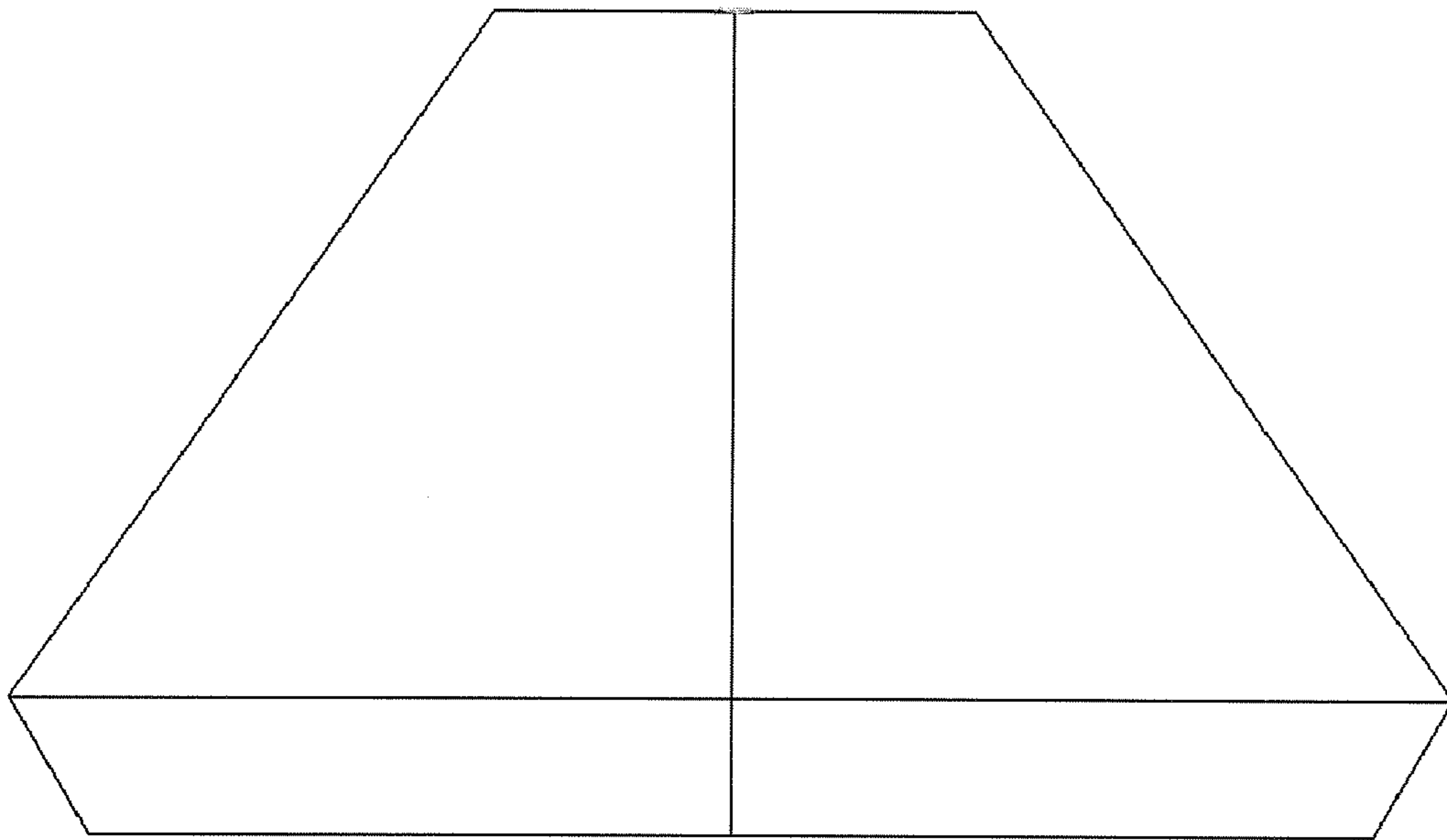


FIG. 3

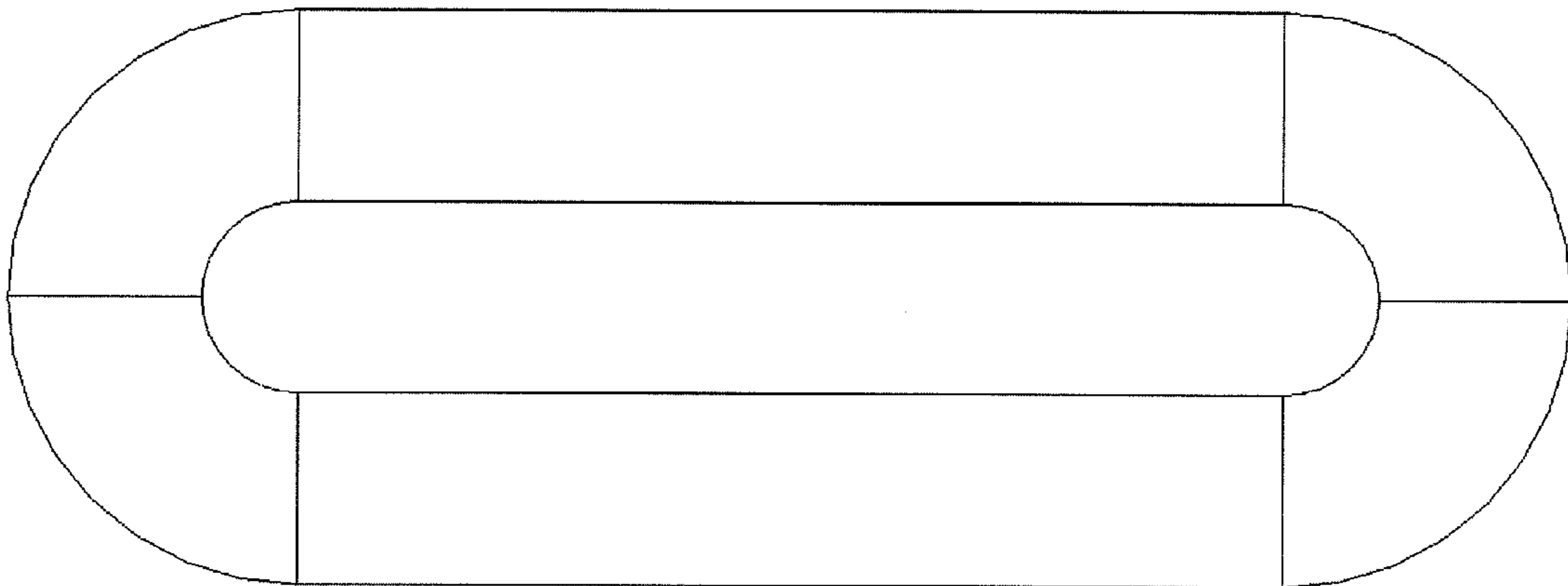


FIG. 4

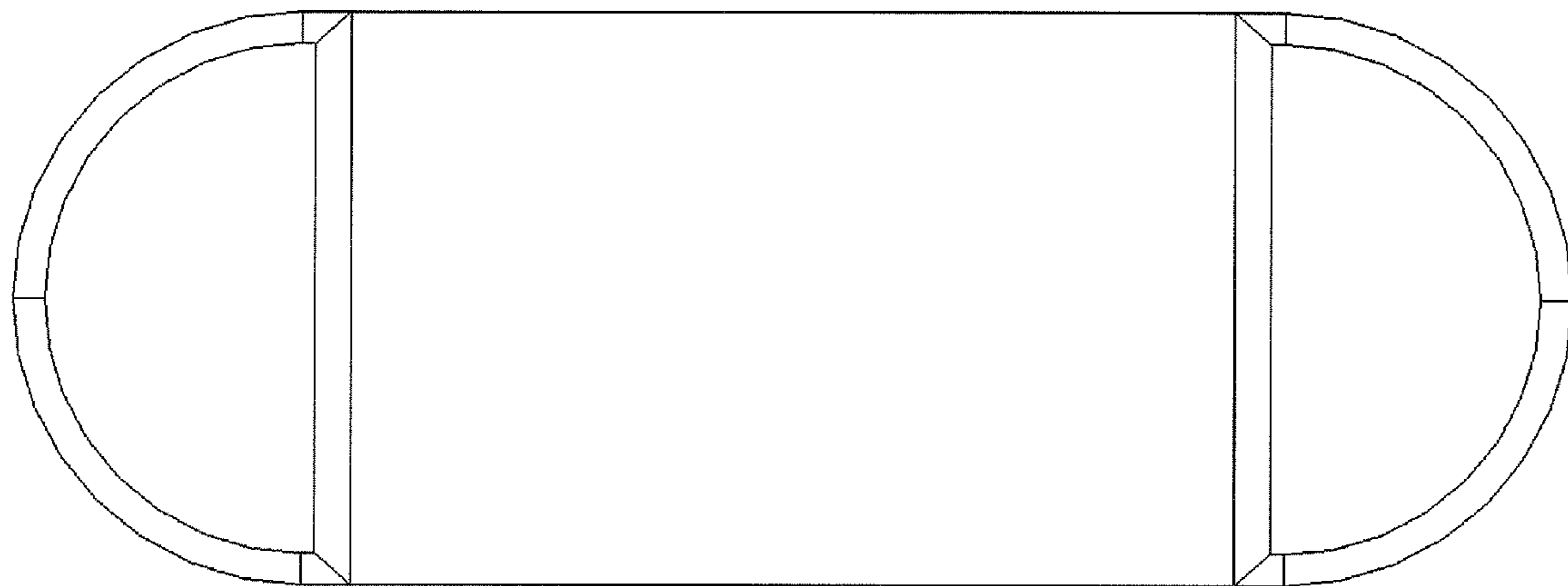


FIG. 5